

PLEASE CHECK WWW.MOLEX.COM FOR LATEST PART INFORMATION

Part Number: [1300150044](#)
Status: **Active**
Overview: Brad Mini-Change Connectors
Description: Mini-Change C-Size Receptacle, 10 Poles, 1/2" - 14 NPT Threads, Male (Straight) to 16 AWG Leads, 0.305m (1.0') Length

Documents:

[Drawing \(PDF\)](#) [RoHS Certificate of Compliance \(PDF\)](#)

Agency Certification

CSA LR6837
 UL E152210

General

Product Family Industrial Receptacles
 Series [130015](#)
 Comments C-Size (1-1/8" - 16 UN-2A)
 IP Rating IP67
 Overview [Brad Mini-Change Connectors](#)
 Product Name Mini-Change
 Taxonomy Circular Industrial Connectors
 Type Single Ended (pigtail)
 UPC 78172553231

Physical

Coupling Type External Thread
 Gender Male
 Keyway Tri-Key
 Length 0.305m
 Material - Component Zinc Die-Cast with Black Epoxy
 Mounting Thread Size 1/2" - 14 NPT
 Net Weight 145.000/g
 Orientation Straight
 Panel Mount Front
 Poles 10
 Temperature Range - Operating -20° to +105°C
 Wire Size AWG 16
 Wire/Cable Type UL 1015

Electrical

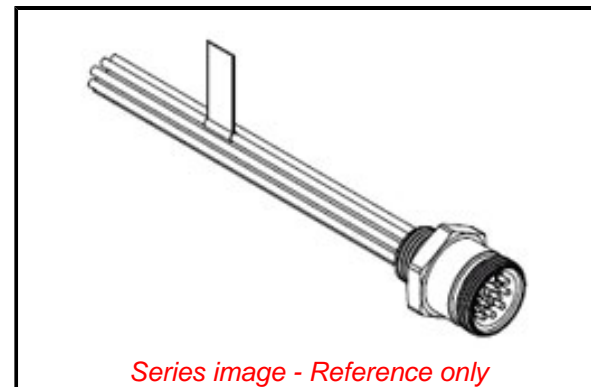
Current - Maximum per Contact 7.0A
 Voltage - Maximum 600V AC/DC

Material Info

Engineering Number 3R1006A20A120

Reference - Drawing Numbers

Sales Drawing SD-130015-004-001, SD-130015-027-001



EU ELV

Not Relevant

EU RoHS

Compliant with Exemption 6(c)

REACH SVHC

Contained Per - D(2022)4187-DC (10 June 2022)

Lead

Halogen-Free

Status

Not Low-Halogen

For more information, please visit [Contact US](#)

China ROHS

ELV

RoHS Phthalates

ZZCERT_CE -

Declaration of

Conformity

ZZCERT_UKCA

- Declaration of

Conformity

China RoHS

50 Image

Not Relevant

Not Contained

CER_4000380980_00_000.pdf

CER_4000410293_00_000.pdf

Search Parts in this Series

[130015 Series](#)