

FEATURES AND SPECIFICATIONS

Features and Benefits

- Sizes 6 to 30 circuits
- For 0.20mm thick FPC
- Metal solder tabs provide PCB hold-down and strain relief for SMT tails

Reference Information

Packaging: Embossed tape
Designed In: Millimeters

Electrical

Voltage: 50V
Current: 0.2A
Contact Resistance: 20mΩ max.
Dielectric Withstanding Voltage: 250V AC/1 min.
Insulation Resistance: 50 MΩ min.

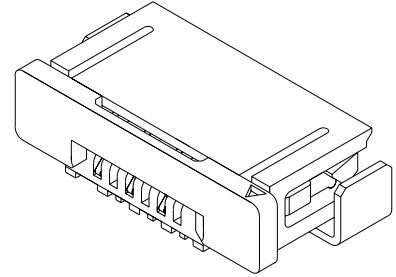
Physical

Housing: 4/6 nylon, UL 94V-0
Actuator: PPS, UL 94V-0
Contact: Phosphor Bronze
Plating: Tin
Solder Tabs: Copper Alloy, Tin plating
Operating Temperature: -20 to +85°C

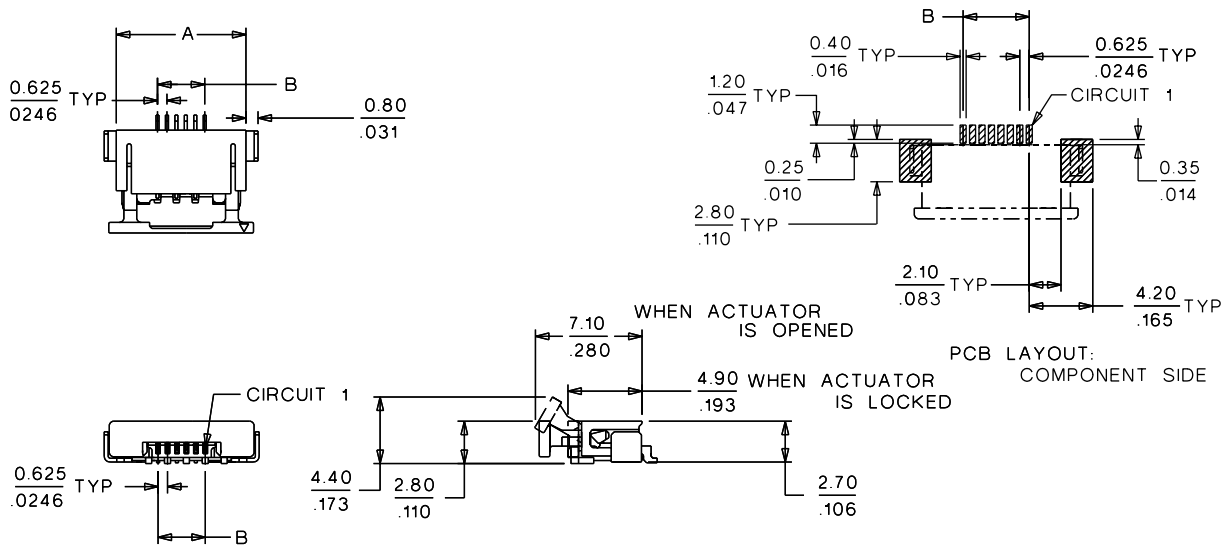
molex® 0.625mm (.0246") Pitch FPC Connector

52396

Right Angle, SMT, ZIF Bottom Contact Style



CATALOG DRAWING (FOR REFERENCE ONLY)



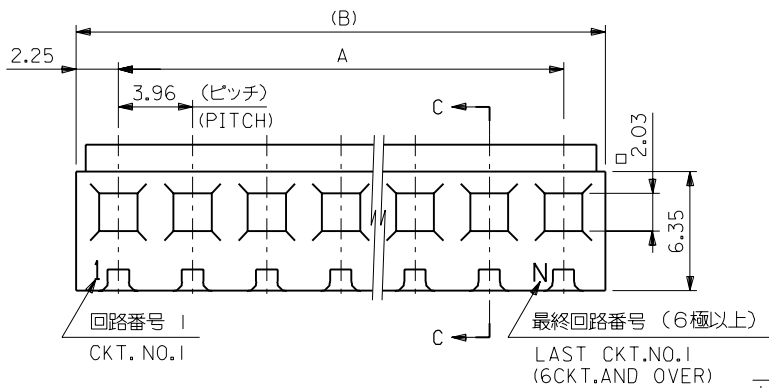
ORDERING INFORMATION AND DIMENSIONS

Circuits	Order No.	Dimension		Carrier Tape Width
		A	B	
6	52396-0690	8.575 (.337)	3.125 (.123)	24.000 (.945)
7	52396-0790	9.200 (.362)	3.750 (.147)	24.000 (.945)
8	52396-0890	9.825 (.386)	4.375 (.172)	24.000 (.945)
9	52396-0990	10.450 (.411)	5.000 (.196)	24.000 (.945)
10	52396-1090	11.075 (.436)	5.625 (.221)	24.000 (.945)
11	52396-1190	11.700 (.460)	6.250 (.246)	24.000 (.945)
12	52396-1290	12.325 (.485)	6.875 (.270)	24.000 (.945)
13	52396-1390	12.950 (.509)	7.500 (.295)	24.000 (.945)
14	52396-1490	13.575 (.534)	8.125 (.319)	24.000 (.945)
15	52396-1590	14.200 (.559)	8.750 (.344)	24.000 (.945)
16	52396-1690	14.825 (.583)	9.375 (.369)	24.000 (.945)

Circuits	Order No.	Dimension		Carrier Tape Width
		A	B	
17	52396-1790	15.450 (.608)	10.000 (.393)	24.000 (.945)
18	52396-1890	16.075 (.632)	10.625 (.418)	32.000 (1.260)
20	52396-2090	17.325 (.682)	11.875 (.467)	32.000 (1.260)
22	52396-2290	18.575 (.731)	13.125 (.516)	32.000 (1.260)
23	52396-2390	19.200 (.755)	13.750 (.541)	32.000 (1.260)
24	52396-2490	19.825 (.780)	14.375 (.565)	32.000 (1.260)
25	52396-2590	20.450 (.805)	15.000 (.590)	32.000 (1.260)
26	52396-2690	21.075 (.829)	15.625 (.615)	44.000 (1.732)
29	52396-2990	22.950 (.903)	17.500 (.688)	44.000 (1.732)
30	52396-3090	23.575 (.928)	18.125 (.713)	44.000 (1.732)

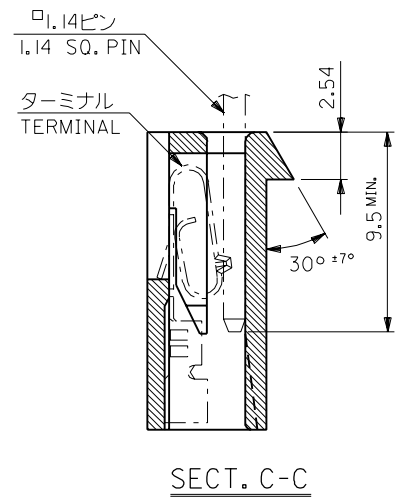
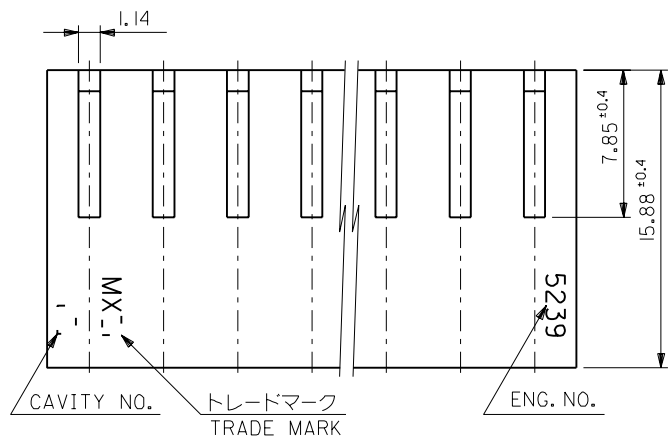
Note: For cable specification dimensions, see cable pages at end of section

DWG. NO. SD-5239-N



注記 NOTES

- 1. 適合ターミナル : 2478,2578,5167,5168 シリーズ
APPLICABLE TERMINAL: 2478,2578,5167,5168 SERIES.
- 2. 反り : 0.2/25.4 MAX.
CAMBER: 0.2/25.4 MAX.



79.74	75.24 ±0.4	09-52-4204	5239-20	20
71.82	67.32 ±0.35	▲ -4184	▲ -18	18
67.86	63.36 ±0.3	-4174	-17	17
63.90	59.40 ±0.3	-4164	-16	16
59.94	55.44 ±0.3	-4154	-15	15
55.98	51.48 ±0.3	-4144	-14	14
52.02	47.52 ±0.3	-4134	-13	13
48.06	43.56 ±0.25	-4124	-12	12
44.10	39.60 ±0.25	-4114	-11	11
40.14	35.64 ±0.25	-4104	-10	10
36.18	31.68 ±0.2	-4094	-09	9
32.22	27.72 ±0.2	-4084	-08	8
28.26	23.76 ±0.2	-4074	-07	7
24.30	19.80 ±0.2	-4064	-06	6
20.34	15.84 ±0.15	-4054	-05	5
16.38	11.88 ±0.15	-4044	-04	4
12.42	7.92 ±0.15	▼ -4034	▼ -03	3
8.46	3.96 ±0.1	09-52-4024	5239-02	2
B	A	EDP NO.	ENG. NO.	極数 CKT.

DIMENSIONS IN METRIC DO NOT SCALE DRAWING

角度 ANGLE	±3°						
30 以上 OVER	+0.3						
10 以上 30 未満 OVER	+0.25	D	変更 REVISIED (JC60690)	K.Y.	MS	96/4/8	
10 未満 UNDER	+0.2	C	変更及び再作図 REVISIED & REDRAWN (J10810)	K.T.	H.H.	91/9/26	
一般公差 GENERAL TOLERANCES		記号 LTR	変更内容 REVISION RECORD	DR. CHK.	日付 DATE		

材料 MATERIAL ナイロン66 UL94V-2 NYLON66	MOLEX JAPAN CO., LTD. 日本モレックス株式会社
仕上げ FINISH //	REVISE ONLY ON CAD SYSTEM
適用電線範囲 WIRE RANGE //	TITLE 名称 KK 3.96 RECEPTACLE HS'G
被覆外径 INS. RANGE //	DWG. NO. SD-5239-N
DRAWN BY '89/9/15 H.HIRAMOTO REVISED BY '96/4/10 S.A. M.FUKUSHIMA	REV D
APP'D BY '96/4/10 M.FUKUSHIMA	尺度 SCALE 4 - 1