

## FEATURES AND SPECIFICATIONS

### Features and Benefits

- Sizes 6 to 30 circuits
- For 0.20mm thick FPC
- Metal solder tabs provide PCB hold-down and strain relief for SMT tails

### Reference Information

Packaging: Embossed tape  
Designed In: Millimeters

### Electrical

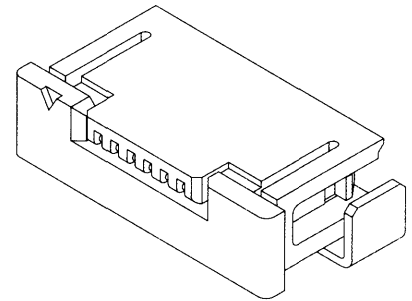
Voltage: 50V  
Current: 0.2A  
Contact Resistance: 20mΩ max.  
Dielectric Withstanding Voltage: 250V AC / 1 min.  
Insulation Resistance: 50 MΩ min.

### Physical

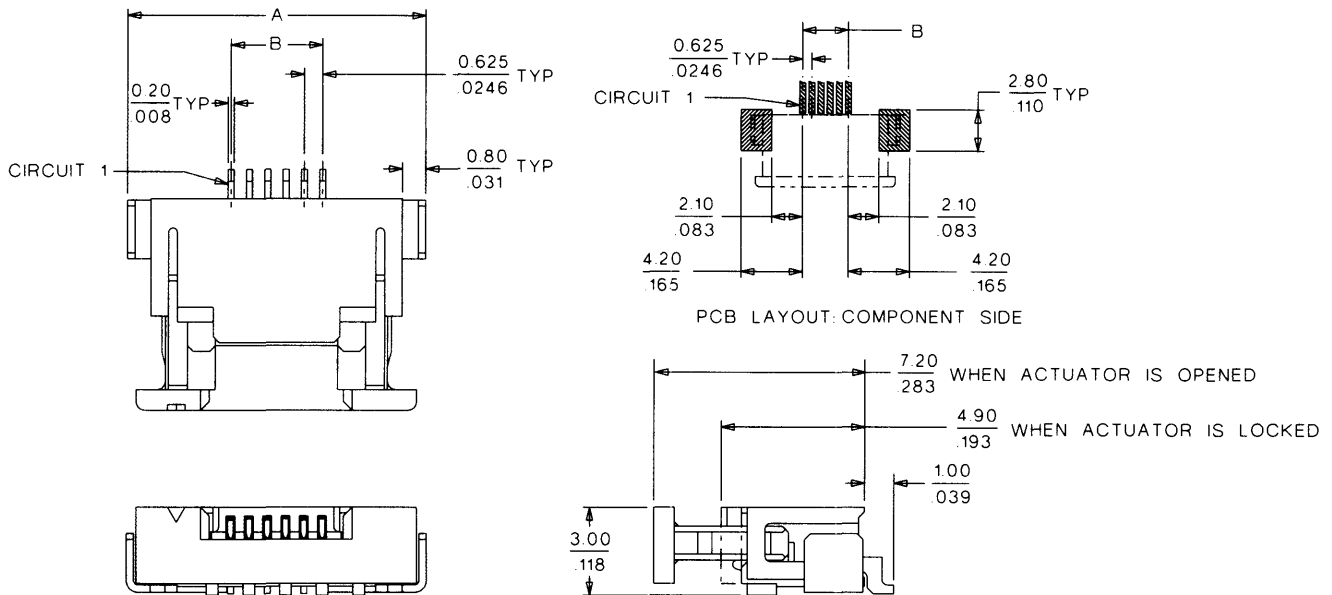
Housing: 4/6 nylon, UL 94V-0  
Actuator: PPS, UL 94V-0  
Contact: Phosphor Bronze  
Plating: Tin  
Solder Tabs: Copper Alloy, Tin plating  
Operating Temperature: -20 to +85°C

# molex® 0.625mm (.0246") Pitch FPC Connector

## 52204 Right Angle, SMT, ZIF Top Contact Style



### CATALOG DRAWING (FOR REFERENCE ONLY)



### ORDERING INFORMATION AND DIMENSIONS

Circuits	Order No.	Dimension		Carrier Tape Width
		A	B	
6	52204-0690	10.175 (.400)	3.125 (.123)	24.000 (.945)
7	52204-0790	10.800 (.425)	3.750 (.147)	24.000 (.945)
8	52204-0890	11.425 (.449)	4.375 (.172)	24.000 (.945)
9	52204-0990	12.050 (.474)	5.000 (.196)	24.000 (.945)
10	52204-1090	12.675 (.499)	5.625 (.221)	24.000 (.945)
11	52204-1190	13.300 (.523)	6.250 (.246)	24.000 (.945)
12	52204-1290	13.925 (.548)	6.875 (.270)	24.000 (.945)
13	52204-1390	14.550 (.572)	7.500 (.295)	24.000 (.945)
14	52204-1490	15.175 (.597)	8.125 (.319)	24.000 (.945)
15	52204-1590	15.800 (.622)	8.750 (.344)	24.000 (.945)
16	52204-1690	16.425 (.646)	9.375 (.369)	24.000 (.945)
17	52204-1790	17.050 (.671)	10.000 (.393)	32.000 (1.260)
18	52204-1890	17.675 (.695)	10.625 (.418)	32.000 (1.260)
20	52204-2090	18.925 (.745)	11.875 (.467)	32.000 (1.260)
22	52204-2290	20.175 (.794)	13.125 (.516)	32.000 (1.260)
23	52204-2390	20.800 (.818)	13.750 (.541)	32.000 (1.260)
24	52204-2490	21.425 (.843)	14.375 (.565)	32.000 (1.260)
25	52204-2590	22.050 (.868)	15.000 (.590)	32.000 (1.260)
26	52204-2690	22.675 (.892)	15.625 (.615)	32.000 (1.260)
29	52204-2990	24.550 (.966)	17.500 (.688)	44.000 (1.732)
30	52204-3090	25.175 (.991)	18.125 (.713)	44.000 (1.732)

Note: For cable specification dimensions, see cable pages at end of section