

13.5	12.5	15.1	51281-2630	26
12.5	11.5	14.1	-2430	24
11.5	10.5	13.1	-2230	22
10.5	9.5	12.1	-2030	20
9.5	8.5	11.1	-1830	18
8.5	7.5	10.1	-1630	16
7.5	6.5	9.1	-1430	14
6.5	5.5	8.1	-1230	12
5.5	4.5	7.1	-1030	10
5.0	4.0	6.6	-0930	9
4.5	3.5	6.1	-0830	8
3.5	2.5	5.1	-0630	6
3.0	2.0	4.6	51281-0530	5
C	B	A	MATERIAL NO.	CIRCUIT

EC NO. DRWN: CHK: APPR:	EC NO. DRWN: CHK: APPR:	EC NO. DRWN: CHK: APPR:	REVISED EC NO. J2004-2296 DRWN: M.NINOMIYA 04/02/05 CHK: K.TOJO 04/02/05 APPR: M.SASAO 04/02/05	RELEASED EC NO. J2004-1676 DRWN: Y.WADA 03/12/22 CHK: M.SASAO 03/12/22 APPR: M.SASAO 03/12/22	DESCRIPTION	MATERIAL 材料	GENERAL TOLERANCES: (UNLESS SPECIFIED) 一般公差	SCALE -//	DESIGN UNITS <input checked="" type="checkbox"/> mm <input type="checkbox"/> INCH	THIRD ANGLE PROJECTION <input checked="" type="checkbox"/> <input type="checkbox"/>	DIMENSIONS: <input type="checkbox"/> mm <input type="checkbox"/> INCH <input checked="" type="checkbox"/> mm ONLY	SHT	REV
			A	0	注記参照 SEE CHART	注記参照 SEE CHART	10 UNDER 未満	±0.2	DRAWN BY & DATE Y.WADA 03/12/22	TITLE: 0.5 FPC Conn NON-ZIF Hsg Assy (Hgt=1.2mm) -LEAD FREE-			
					FINISH 仕上り		10 OVER 30 UNDER 以上 未満	±0.25	CHECKED BY & DATE M.SASAO 03/12/22	MOLEX MOLEX INCORPORATED			
					WIRE RANGE 適用線径範囲		30 OVER 以上	±0.3	APPROVED BY & DATE M.SASAO 03/12/22	MATERIAL NO. 51281-***30	DRAWING NO. SD-51281-009	SHEET NO. 1 OF 2	
					INS. RANGE 被覆外径		ANGLE 角度	±3°	CAD FILENAME SD-51281-009.S01			SIZE B	

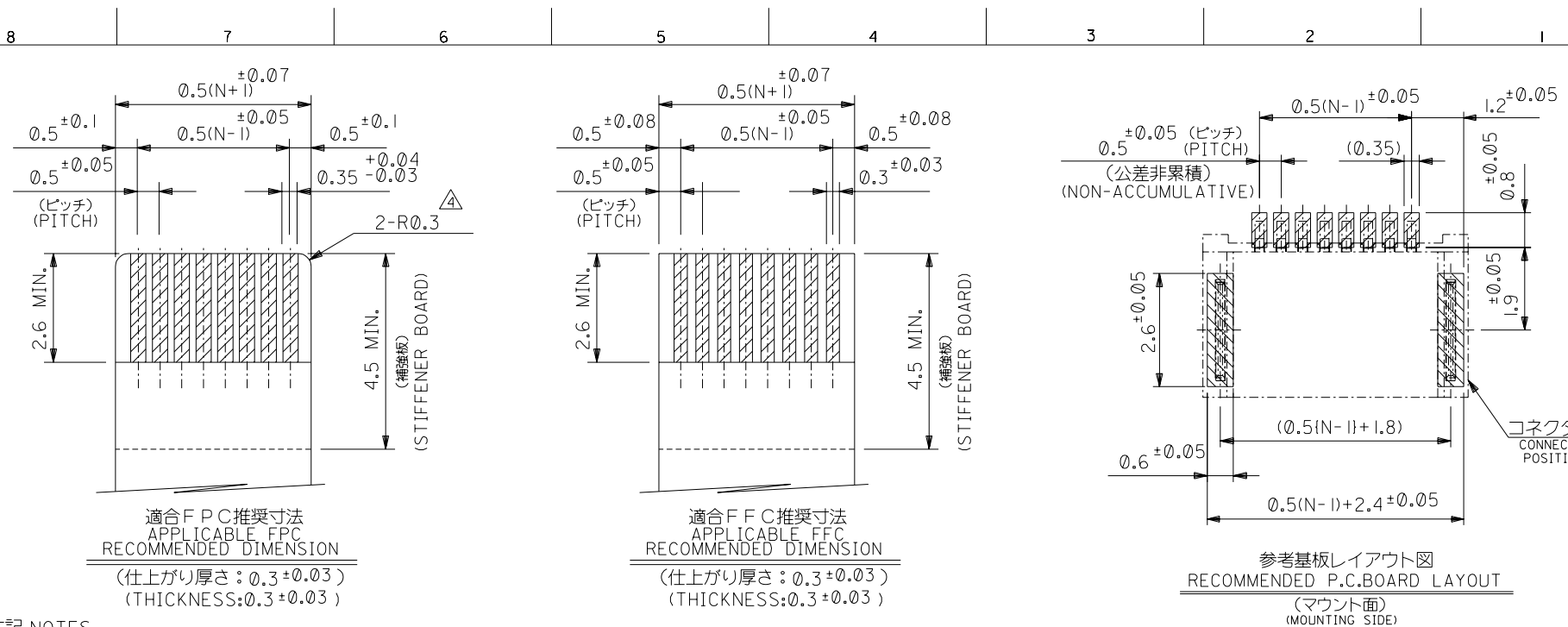
DESCRIPTION	MATERIAL 材料	GENERAL TOLERANCES: (UNLESS SPECIFIED) 一般公差	SCALE -//	DESIGN UNITS <input checked="" type="checkbox"/> mm <input type="checkbox"/> INCH	THIRD ANGLE PROJECTION <input checked="" type="checkbox"/> <input type="checkbox"/>	DIMENSIONS: <input type="checkbox"/> mm <input type="checkbox"/> INCH <input checked="" type="checkbox"/> mm ONLY	SHT	REV

DESCRIPTION	MATERIAL 材料	GENERAL TOLERANCES: (UNLESS SPECIFIED) 一般公差	SCALE -//	DESIGN UNITS <input checked="" type="checkbox"/> mm <input type="checkbox"/> INCH	THIRD ANGLE PROJECTION <input checked="" type="checkbox"/> <input type="checkbox"/>	DIMENSIONS: <input type="checkbox"/> mm <input type="checkbox"/> INCH <input checked="" type="checkbox"/> mm ONLY	SHT	REV

DESCRIPTION	MATERIAL 材料	GENERAL TOLERANCES: (UNLESS SPECIFIED) 一般公差	SCALE -//	DESIGN UNITS <input checked="" type="checkbox"/> mm <input type="checkbox"/> INCH	THIRD ANGLE PROJECTION <input checked="" type="checkbox"/> <input type="checkbox"/>	DIMENSIONS: <input type="checkbox"/> mm <input type="checkbox"/> INCH <input checked="" type="checkbox"/> mm ONLY	SHT	REV

DESCRIPTION	MATERIAL 材料	GENERAL TOLERANCES: (UNLESS SPECIFIED) 一般公差	SCALE -//	DESIGN UNITS <input checked="" type="checkbox"/> mm <input type="checkbox"/> INCH	THIRD ANGLE PROJECTION <input checked="" type="checkbox"/> <input type="checkbox"/>	DIMENSIONS: <input type="checkbox"/> mm <input type="checkbox"/> INCH <input checked="" type="checkbox"/> mm ONLY	SHT	REV

DWG. NO. SD-51281-009



注記 NOTES

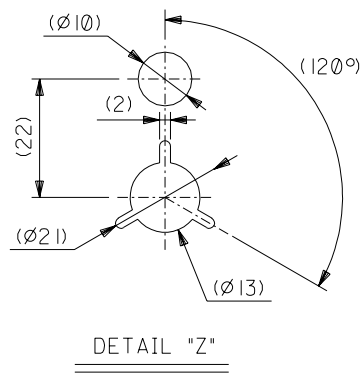
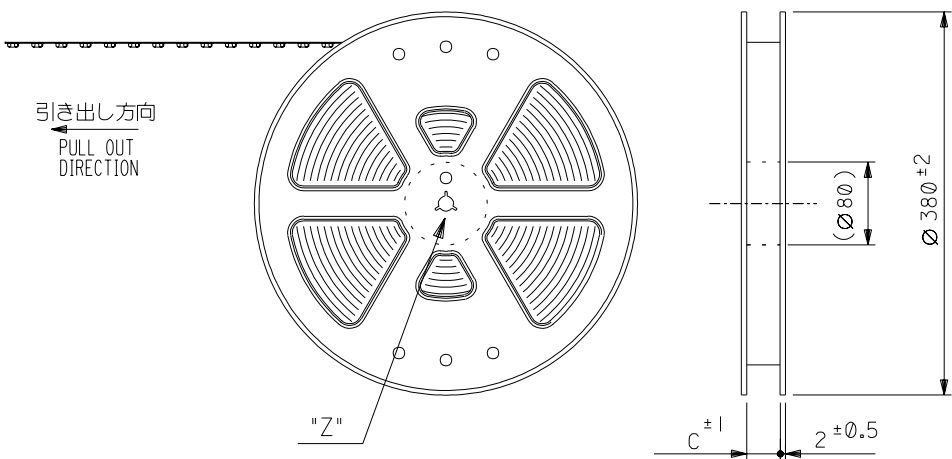
- 使用材料 MATERIAL
ハウジング : 液晶ポリマー ガラス充填 UL94V-0
HOUSING : LIQUID CRYSTAL POLYMER (GLASS FILLED) UL94V-0
ターミナル : リン青銅 (t=0.2), ニッケル下地 錫ビスマスメッキ
TERMINAL : PHOSPHOR-BRONZE, TIN-BISMUTH OVER NICKEL PLATING.
金具 : リン青銅 (t=0.25), ニッケル下地 純錫メッキ
FITTING NAIL : PHOSPHOR-BRONZE, PURE-TIN OVER NICKEL PLATING.
- ソルダーテール半田付け面のズレ量、及び金具半田付け面のズレ量は、基準面 □ に対し、上方向 0.1MAXIMUM 下方向 0.15MAXIMUM とする。
又、相互のバラツキ量は 0.1MAXIMUM とする。
MISALIGNMENT OF SOLDER TAILS AND FITTING NAILS FROM □
UPPER DIRECTION : 0.1 MAXIMUM, LOWER DIRECTION : 0.15 MAXIMUM.
OFFSET BETWEEN SOLDER TAILS AND FITTING NAILS : 0.1 MAXIMUM.
- 偶数極に適用。
TO BE APPLIED ONLY WHEN ALL CIRCUIT ARE EVEN.
- R.O. 3は、FPCの導体部にかからないこと。
R.O.3 MUST NOT BE OVERLAPPED TO PATTERN OF FPC.

- FPC/FFCについて:
打抜き方向は導体側から補強板側を推奨いたします。
導体部については軟銅箔35μmまたは50μm
メッキ厚 3~9 μm 錫メッキ (電気メッキ)
を推奨いたします。
RECOMMENDED PUNCHER DIRECTION :
FROM CONDUCTOR SIDE TO STIFFENER BOARD SIDE.
RECOMMENDED CONDUCTOR SPEC :
THICKNESS OF SOFT COPPER FOIL : 35 μm or 50 μm
TIN OR SOLDER PLATING : 3 ~ 9 μm (ELECTRICAL PLATING)
- 本製品は51281-**-20の鉛フリー品である。
THIS PRODUCT IS LEAD FREE OF 51281-**-20.

DO NOT SCALE DRAWING

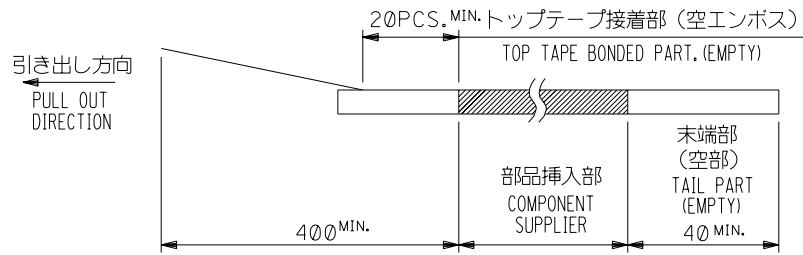
EC NO. DRWN: CH'K: APPR:		EC NO. DRWN: CH'K: APPR:		EC NO. DRWN: CH'K: APPR:		REVISED EC NO. J2004-2296 DRWN: MANINOMIYA 04/02/05 CH'K: K.TOJO 04/02/05 APPR: M.SASAO 04/02/05		RELEASED EC NO. J2004-1676 DRWN: Y.WADA 03/12/22 CH'K: M.SASAO 03/12/22 APPR: M.SASAO 03/12/22		MATERIAL 材料 注記参照 SEE CHART		GENERAL TOLERANCES: (UNLESS SPECIFIED) 一般公差		51281-**-30 MODEL NO.		DIMENSIONS: <input type="checkbox"/> mm <input type="checkbox"/> INCH <input checked="" type="checkbox"/> mm ONLY		SHT REV											
10 UNDER 未満		±0.2		10 OVER 以上 30 UNDER 未満		±0.25		30 OVER 以上		±0.3		SCALE //		DESIGN UNITS <input checked="" type="checkbox"/> mm <input type="checkbox"/> INCH		THIRD ANGLE PROJECTION		REVISE ON CAD ONLY											
WIRE RANGE 適用電線範囲		ANGLE 角度		±3°		DRAWN BY & DATE Y.WADA '03/12/22		CHECKED BY & DATE M.SASAO '03/12/22		APPROVED BY & DATE M.SASAO '03/12/22		CAD FILENAME SD-51281-009.S02		MATERIAL NO. 51281-**-30		DRAWING NO. SD-51281-009		SHEET NO. 2 OF 2											
INS. RANGE 被覆外径												TITLE: 0.5 FPC Conn NON-ZIF Hsg Assy (Hgt=1.2mm) -LEAD FREE-												MOLEX INCORPORATED		THIS DRAWING CONTAINS INFORMATION THAT IS PROPRIETARY TO MOLEX INCORPORATED AND SHOULD NOT BE USED WITHOUT WRITTEN PERMISSION.		SIZE B	

DWG. NO. SD-51281-010

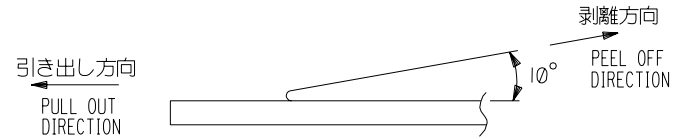


NOTES

- 製品詳細寸法については図面 SD-51281-009 を参照下さい。
RE DETAILED DIMENSION, SEE SD-51281-009.
- 梱包数量：3000個/リール
NUMBER OF CONNECTORS：3000PCS/REEL
- リードテープ長さ LEAD TAPE LENGTH



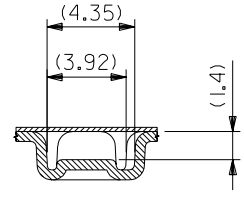
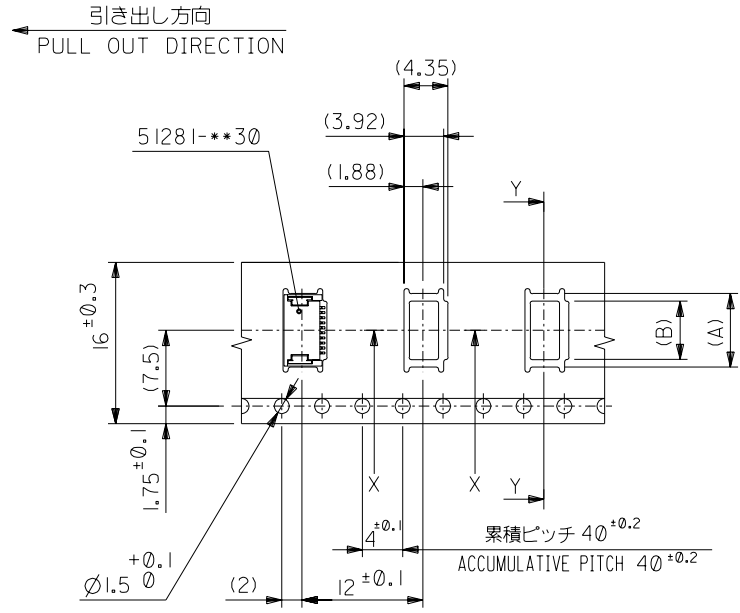
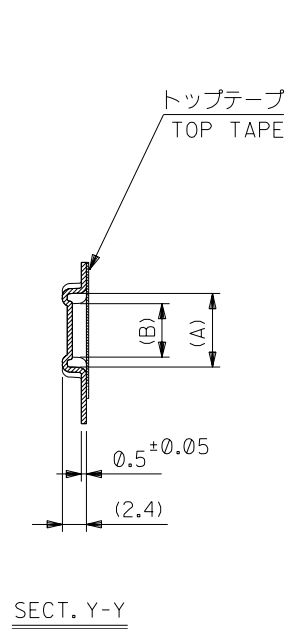
- トップテープの剥離強度：0.1N~1.3N {10gf~130gf}
(剥離方向は下図参照)
尚、本規格値は出荷時に適用。(但し、輸送時に剥離が発生しないこと。)
PEELING OFF FORCE OF TOP TAPE：0.1N~1.3N {10gf~130gf}
(PEELING DIRECTION AS SHOWN IN FOLLOWING FIG.)
THIS REQUIREMENT SHOULD BE APPLIED AT SHIPMENT.
PEEL OFF SHOULD NOT BE ALLOWED, DURING TRANSPORTATION.



- 材料 (MATERIAL)
キャリアテープ (CARRIER TAPE)：ポリプロピレン (POLYPROPYLENE)
トップテープ (TOPTAPE)：PET, PE, PEF
リール (REEL)：ポリスチレン (PS) <リサイクル材含む>
POLYSTYREN (PS) <RECYCLE MATERIAL CONTAINED>
- C 寸法は SHEET 2 ~ 3 を参照下さい。
SEE SHEET 2 ~ 3 (DIMENSION C).
- 本製品は 51281-**-91 の鉛フリー品である。
THIS PRODUCT IS LEAD FREE OF 51281-**91.

DO NOT SCALE DRAWING

EC NO. DRWN: CH'K: APPR:		EC NO. DRWN: CH'K: APPR:		EC NO. DRWN: CH'K: APPR:		EC NO. DRWN: CH'K: APPR:		EC NO. DRWN: CH'K: APPR:		RELEASED EC NO. J2004-1676 DRWN: Y.WADA 03/12/22 CH'K: M.SASAO 03/12/22 APPR: M.SASAO 03/12/22		MATERIAL 材料 注記参照 SEE CHART		GENERAL TOLERANCES: (UNLESS SPECIFIED) 一般公差		51281-**-92 SCALE: -- DESIGN UNITS: <input checked="" type="checkbox"/> mm <input type="checkbox"/> INCH		MODEL NO. THIRD ANGLE PROJECTION		DIMENSIONS: <input type="checkbox"/> mm <input type="checkbox"/> INCH <input checked="" type="checkbox"/> mm ONLY		SHT REVISE ON CAD ONLY		REV	
										FINISH 仕上げ 注記参照 SEE CHART		10 UNDER 未満 ±0.2 10 OVER 以上 30 UNDER 未満 ±0.25 30 OVER 以上 ±0.3		DRAWN BY & DATE Y.WADA '03/12/22		TITLE: 0.5 FPC Conn NON-ZIF (Hgt=1.2mm) Embstp Pkg -LEAD FREE-		MOLEX INCORPORATED							
										WIRE RANGE 適用電線範囲		ANGLE 角度 ±3°		APPROVED BY & DATE M.SASAO '03/12/22		MATERIAL NO. SEE CHART		DRAWING NO. SD-51281-010		SHEET NO. 1 OF 4					
										INS. RANGE 被覆外径				CAD FILENAME SD-51281-010.S01		THIS DRAWING CONTAINS INFORMATION THAT IS PROPRIETARY TO MOLEX INCORPORATED AND SHOULD NOT BE USED WITHOUT WRITTEN PERMISSION.		SIZE B							



16mm幅キャリアテープ
16mm WIDTH CARRIER TAPE

16	17.5	4.3	6.3	51281-0892	8
		3.3	5.3	51281-0692	6
		2.8	4.8	51281-0592	5
キャリアテープ幅 CARRIER TAPE WIDTH	C	(B)	(A)	製品番号 MATERIAL No.	極数 Ck+
51281-***92	MODEL NO.	DIMENSIONS:		SHT	REV
SCALE	DESIGN UNITS	<input type="checkbox"/> mm <input type="checkbox"/> INCH	<input type="checkbox"/> mm <input type="checkbox"/> INCH	<input checked="" type="checkbox"/> mm ONLY	REVISE ON CAD ONLY

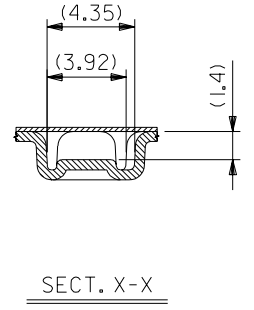
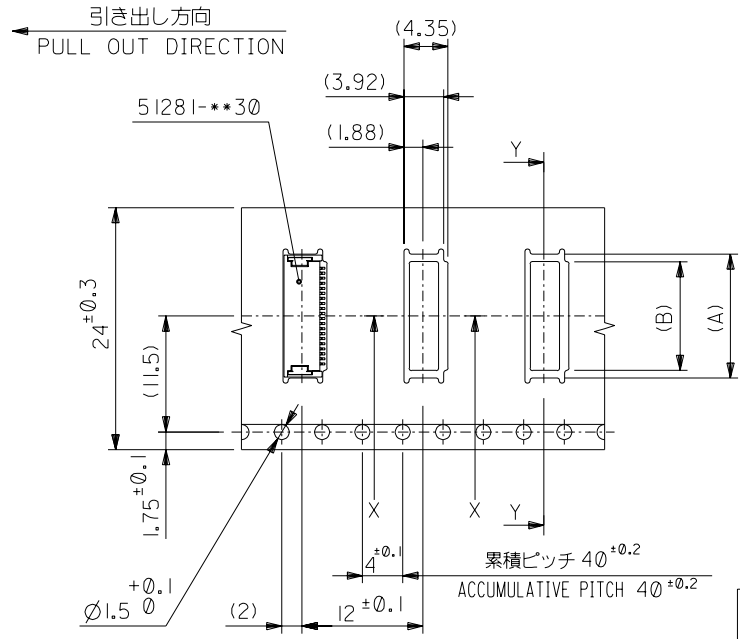
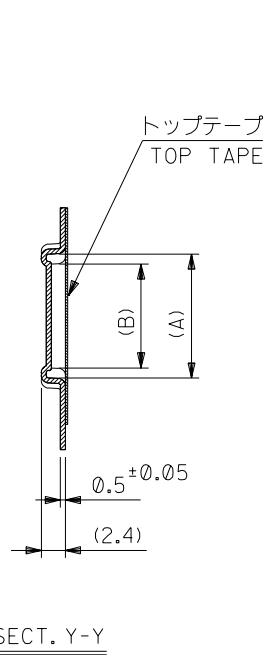
DO NOT SCALE DRAWING

EC NO. DRWN: CHK: APPR:	EC NO. DRWN: CHK: APPR:	EC NO. DRWN: CHK: APPR:	EC NO. DRWN: CHK: APPR:	EC NO. DRWN: CHK: APPR:	RELEASED EC NO. J2004-1676 DRWN: Y.WADA '03/12/22 CHK: M.SASAO '03/12/22 APPR: M.SASAO '03/12/22
					DESCRIPTION
					MATERIAL 材料
					FINISH 仕上げ
					WIRE RANGE 適用電線範囲
					INS. RANGE 被覆外径

SHEET 1 OF 4 参照
REFER TO SHEET 1 OF 4

GENERAL TOLERANCES: (UNLESS SPECIFIED) 一般公差	
10 UNDER 未満	±0.2
10 OVER 以上 30 UNDER 未満	±0.25
30 OVER 以上	±0.3
ANGLE 角度	±3°

DRAWN BY & DATE Y.WADA '03/12/22	TITLE: 0.5 FPC Conn NON-ZIF (Hgt=1.2mm) Embstp Pkg -LEAD FREE-
CHECKED BY & DATE M.SASAO '03/12/22	MOLEX INCORPORATED
APPROVED BY & DATE M.SASAO '03/12/22	
CAD FILENAME SD-51281-010.S02	MATERIAL NO. SEE CHART
	DRAWING NO. SD-51281-010
	SHEET NO. 2 OF 4
THIS DRAWING CONTAINS INFORMATION THAT IS PROPRIETARY TO MOLEX INCORPORATED AND SHOULD NOT BE USED WITHOUT WRITTEN PERMISSION.	
	SIZE B



24mm幅キャリアテープ
24mm WIDTH CARRIER TAPE

24	25.5	12.3	14.3	51281-2492	24		
		11.3	13.3	51281-2292	22		
		10.3	12.3	51281-2092	20		
		9.3	11.3	51281-1892	18		
		8.3	10.3	51281-1692	16		
		7.3	9.3	51281-1492	14		
		6.3	8.3	51281-1292	12		
		5.3	7.3	51281-1092	10		
4.8	6.8	51281-0992	9				
キャリアテープ幅 CARRIER TAPE WIDTH		C	(B)	(A)	製品番号 MATERIAL No.	極数 Ck+	
51281-**92		MODEL NO.		DIMENSIONS:		SHT	REV
SCALE	DESIGN UNITS	THIRD ANGLE PROJECTION		mm INCH		mm ONLY	
DRAWN BY & DATE Y.WADA '03/12/22		TITLE:		0.5 FPC Conn NON-ZIF (Hg+=1.2mm) Embstp Pkg -LEAD FREE-			
CHECKED BY & DATE M.SASAO '03/12/22		MATERIAL NO.		DRAWING NO.		SHEET NO.	
APPROVED BY & DATE M.SASAO '03/12/22		SD-51281-010.S03		SD-51281-010		3 OF 4	

DO NOT SCALE DRAWING

EC NO.	DRWN:	CH'K:	APPR:	EC NO.	DRWN:	CH'K:	APPR:	EC NO.	DRWN:	CH'K:	APPR:	EC NO.	DRWN:	CH'K:	APPR:

RELEASED
EC NO. J2004-1676
DRWN: Y.WADA '03/12/22
CH'K: M.SASAO '03/12/22
APPR: M.SASAO '03/12/22

MATERIAL 材料	SHEET 1 OF 4 参照 REFER TO SHEET 1 OF 4	
FINISH 仕上げ	//	
WIRE RANGE 適用電線範囲	//	
INS. RANGE 被覆外径	//	

GENERAL TOLERANCES: (UNLESS SPECIFIED) 一般公差		
10 UNDER 未満	±0.2	
10 OVER 以上 30 UNDER 未満	±0.25	
30 OVER 以上	±0.3	
ANGLE 角度	±3°	

DRAWN BY & DATE Y.WADA '03/12/22				TITLE: 0.5 FPC Conn NON-ZIF (Hg+=1.2mm) Embstp Pkg -LEAD FREE-			
CHECKED BY & DATE M.SASAO '03/12/22				MATERIAL NO. SD-51281-010.S03			
APPROVED BY & DATE M.SASAO '03/12/22				DRAWING NO. SD-51281-010			
CAD FILENAME SD-51281-010.S03				SHEET NO. 3 OF 4			
THIS DRAWING CONTAINS INFORMATION THAT IS PROPRIETARY TO MOLEX INCORPORATED AND SHOULD NOT BE USED WITHOUT WRITTEN PERMISSION.							
							SIZE B

