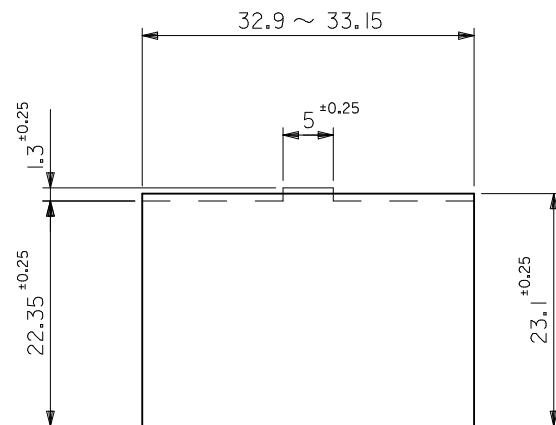
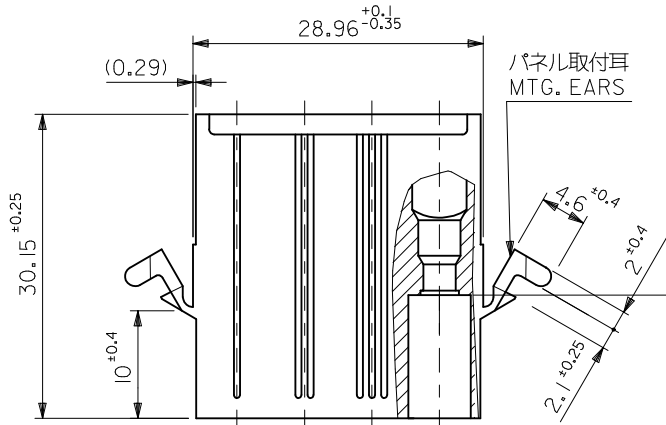


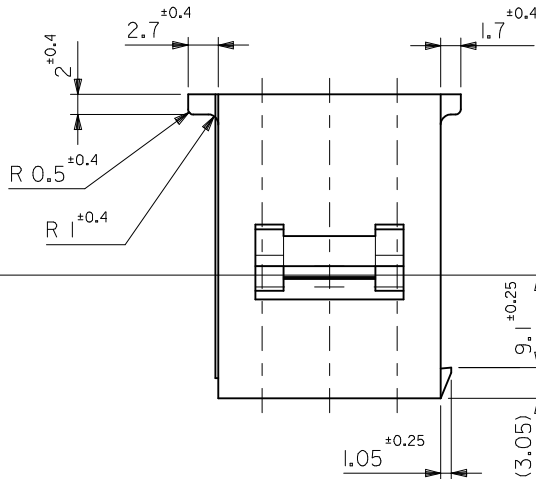
サーキット番号
CUIRCUIT NO.



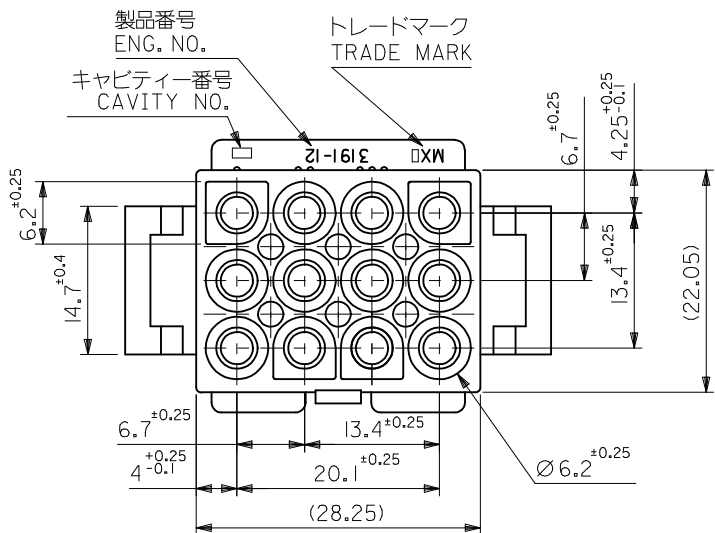
パネル取付穴推奨寸法 (厚さ2.0最大)
ハウジングの装着はパネル穴打抜き方向より行うこと
RECOMMENDED PANEL HOLE DIMENSION (THK. 2.0 MAX.)
ATTACH THE HOUSING FROM THE DIRECTION OF
PANEL HOLE PUNCHED OUT



パネル取付耳
MTG. EARS



注記
NOTE
() 内寸法は参考値
DIMENSIONS IN () ARE REFERENCE



39-03-6121	3191-12P-201	NYLON66	94V-0
39-03-6120	3191-12P	NYLON66	94V-2
POLYBAG PACKAGE	モデル番号 MODEL No.	材質 MATERIAL	UL
オーダー番号 ORDER NO.			

REDRAWN EC NO.: J2013-0829 DRWN: SSAT002 2013/01/28 CHKD: KASAKAWA 2013/01/31 APPR: YOITO 2013/04/16	GENERAL TOLERANCES (UNLESS SPECIFIED)		DIMENSION STYLE MM ONLY		SCALE 2:1	DESIGN UNITS METRIC	THIRD ANGLE PROJECTION	
	10 UNDER ± ---	10 OVER 30 UNDER ± ---	DRAWN BY SSAT002	DATE 2013/01/28	TITLE 12 CKT. PLUG HSG (.093 DIA. TERMINAL)			
	30 OVER ± ---	ANGULAR ± --- °	CHECKED BY KASAKAWA	DATE 2013/01/31	MATERIAL NO. DOCUMENT NO.			
	DRAFT WHERE APPLICABLE MUST REMAIN WITHIN DIMENSIONS		APPROVED BY YOITO	DATE 2013/04/16	SEE CHART SD-3191-021			
SIZE A3	THIS DRAWING CONTAINS INFORMATION THAT IS PROPRIETARY TO MOLEX INCORPORATED AND SHOULD NOT BE USED WITHOUT WRITTEN PERMISSION						SHEET NO. 1 OF 1	