

16.54	13.8	14.4	17.4	502761-4900	502761-4909	49
11.74	9	9.6	12.6	502761-3300	502761-3309	33
D	C	B	A	オーダー番号 ORDER NO. (EMBOSSED TAPE)	製品番号 MATERIAL NO.	極数 CIRCUITS

REVISED EC NO: J2008-4277 DRWN: TRSUZUKI 2008/06/17 CHKD: KMORIKAWA 2008/06/18 APPR: KMORIKAWA 2008/06/18	GENERAL TOLERANCES (UNLESS SPECIFIED)		DIMENSION STYLE MM ONLY		SCALE 10:1	DESIGN UNITS METRIC	THIRD ANGLE PROJECTION
	10 UNDER	±0.2	DRAWN BY TRSUZUKI	DATE 2008/06/11	TITLE 0.3 FPC CONN (H=0.62) HSG ASSY BOTTOM CONTACT GOLD WITH NICKEL BARRIER		
	10 OVER 30 UNDER	±0.25	CHECKED BY KMORIKAWA	DATE 2008/06/11	MOLEX INCORPORATED		
	30 OVER	±0.3	APPROVED BY HIRATA	DATE 2008/06/11	MATERIAL NO. SEE CHART	DOCUMENT NO. SD-502761-001	SHEET NO. 1 OF 3
REV A	DESCRIPTION	ANGULAR ±1° DRAFT WHERE APPLICABLE MUST REMAIN WITHIN DIMENSIONS	THIS DRAWING CONTAINS INFORMATION THAT IS PROPRIETARY TO MOLEX INCORPORATED AND SHOULD NOT BE USED WITHOUT WRITTEN PERMISSION				

注記 NOTES
~~~~~

1.使用材料 MATERIAL

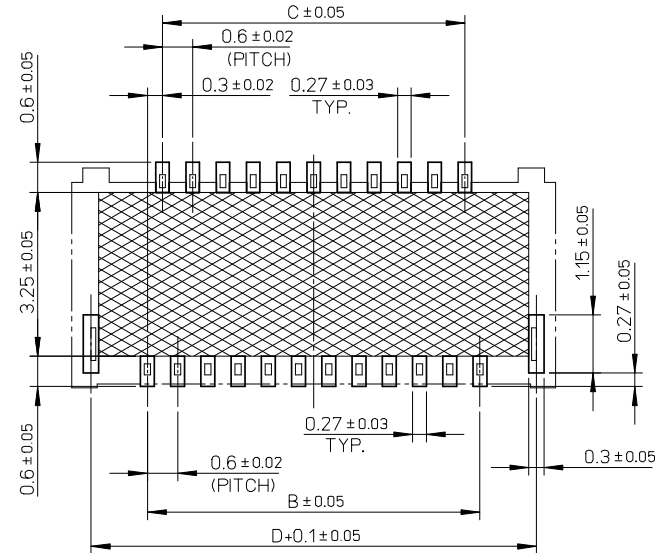
ハウジング : 液晶ポリマー ガラス充填 UL94V-0 (黒)  
 HOUSING : LIQUID CRYSTAL POLYMER (GLASS FILLED)  
 UL94V-0 (COLOR:BLACK)  
 アクチュエータ : 液晶ポリマー ガラス充填 UL94V-0 (灰色)  
 ACTUATOR : LIQUID CRYSTAL POLYMER (GLASS FILLED)  
 UL94V-0 (COLOR:GRAY)  
 ターミナル : 銅ニッケルスズ合金  
 TERMINAL : COPPER NICKEL TIN ALLOY  
 ネイル : リン青銅  
 FITTING NAIL : PHOSPHOR-BRONZE  
 スティッフナー : ステンレス鋼  
 STIFFENER : STAINLESS STEEL

2.メッキ仕様 PLATING

ターミナル TERMINAL  
 接点部 : 金メッキ  
 CONTACT AREA : GOLD  
 半田付け部 : 金メッキ  
 SOLDER TAIL AREA : GOLD  
 下地メッキ : ニッケルメッキ  
 UNDER PLATING : NICKEL  
 ネイル FITTING NAIL  
 スズメッキ  
 TIN  
 下地メッキ : ニッケルメッキ  
 UNDER PLATING : NICKEL

3.ソルダーテール半田付け面、及びネイル半田付け面の平坦度:0.15MAX.  
 COPLANARITY OF SOLDER TAILS AND FITTING NAILS  
 TO BE 0.15mm MAX.

4.ELV 及び RoHS適合品  
 ELV AND RoHS COMPLIANT



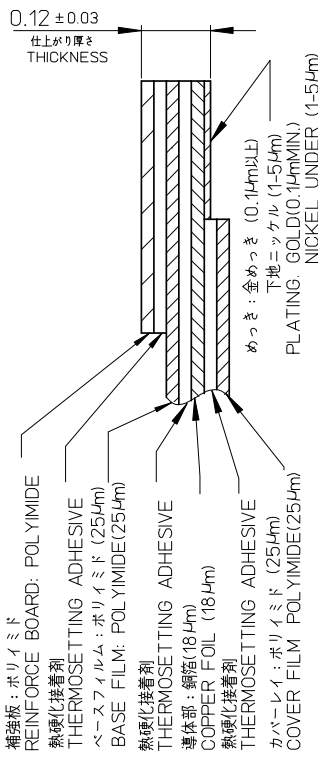
☒ : パターン及び半田禁止エリア  
 : PATTERN AND SOLDER PROHIBITION AREA

推奨基板寸法

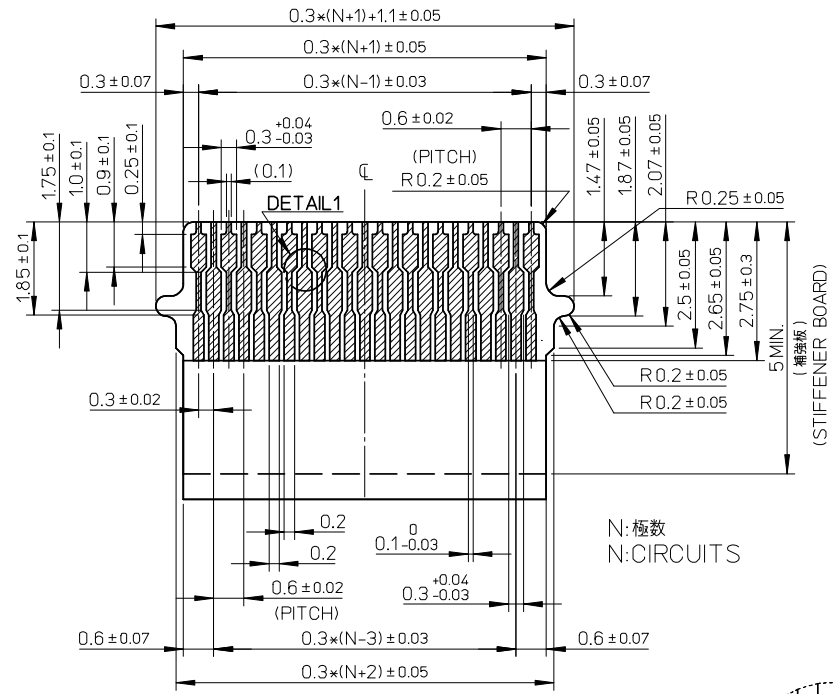
RECOMMENDED P.C.B. PATTERN LAYOUT

推奨メタルマスク仕様について:  
 厚さ: 0.11mm、開口率: 弊社推奨パターンに対し60%  
 ABOUT : METAL MASK SPECIFICATION  
 RECOMMENDED THICKNESS : 0.11mm  
 THE RECOMMENDED APERTURE RATE SHALL BE 60%  
 USING OUR RECOMMENDED P.C.B. PATTERN LAYOUT.

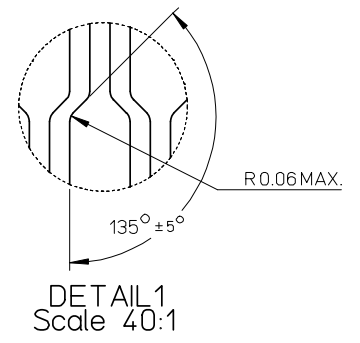
|                                                                                                                            |             |                                                                                                                                       |        |                             |                               |                                                                                       |                        |                        |  |
|----------------------------------------------------------------------------------------------------------------------------|-------------|---------------------------------------------------------------------------------------------------------------------------------------|--------|-----------------------------|-------------------------------|---------------------------------------------------------------------------------------|------------------------|------------------------|--|
| SEE SHEET 1<br>EC NO.: J2008-4277<br>DRWN: TRSUZUKI 2008/06/17<br>CHKD: KMORIKAWA 2008/06/18<br>APPR: KMORIKAWA 2008/06/18 | DESCRIPTION | GENERAL TOLERANCES (UNLESS SPECIFIED)                                                                                                 |        | DIMENSION STYLE<br>MM ONLY  |                               | SCALE<br>10:1                                                                         | DESIGN UNITS<br>METRIC | THIRD ANGLE PROJECTION |  |
|                                                                                                                            |             | 10 UNDER                                                                                                                              | ± 0.2  | DRAWN BY<br>TRSUZUKI        | DATE<br>2008/06/17            | TITLE<br>0.3 FPC CONN (H=0.62)<br>HSG ASSY BOTTOM CONTACT<br>GOLD WITH NICKEL BARRIER |                        |                        |  |
|                                                                                                                            |             | 10 OVER 30 UNDER                                                                                                                      | ± 0.25 | CHECKED BY<br>KMORIKAWA     | DATE<br>2008/06/17            | MOLEX INCORPORATED                                                                    |                        |                        |  |
|                                                                                                                            |             | 30 OVER                                                                                                                               | ± 0.3  | APPROVED BY<br>HHRATA       | DATE<br>2008/06/17            |                                                                                       |                        |                        |  |
| ANGULAR                                                                                                                    | ± 1 °       | DRAFT WHERE APPLICABLE<br>MUST REMAIN<br>WITHIN DIMENSIONS                                                                            |        | MATERIAL NO.<br>SEE SHEET 1 | DOCUMENT NO.<br>SD-502761-001 | SHEET NO.<br>2 OF 3                                                                   |                        |                        |  |
| A                                                                                                                          | REV         | SIZE A3 THIS DRAWING CONTAINS INFORMATION THAT IS PROPRIETARY TO MOLEX INCORPORATED AND SHOULD NOT BE USED WITHOUT WRITTEN PERMISSION |        |                             |                               |                                                                                       |                        |                        |  |



FPC構成推奨仕様  
STRUCTURE OF FPC



適合する金めっきFPC推奨寸法  
APPLICABLE FPC OF GOLD PLATING  
RECOMMENDED DIMENSION  
(仕上がり厚さ: 0.12±0.03)  
(THICKNESS: 0.12±0.03)



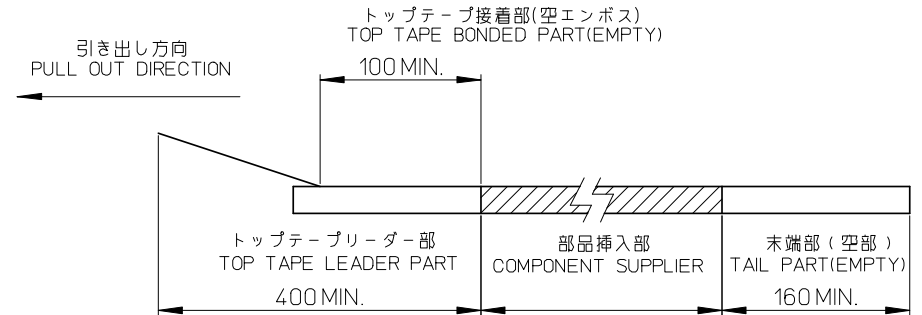
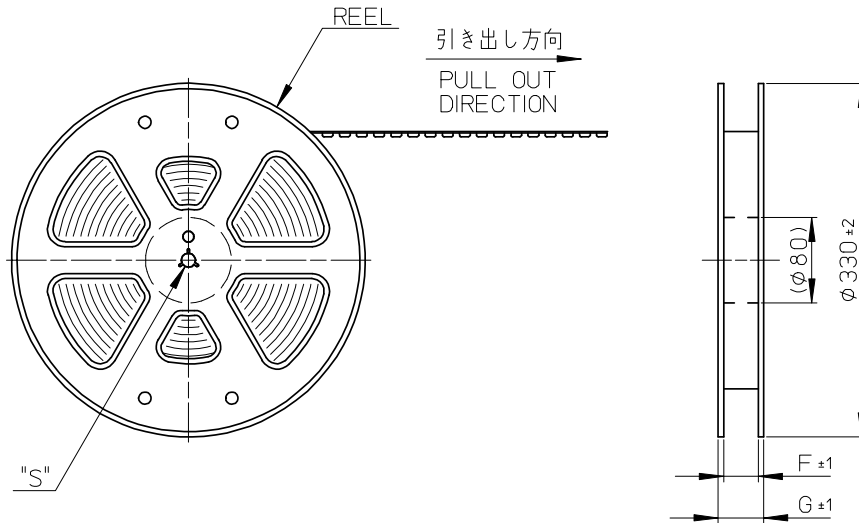
FPCについて:  
抜き方向は、導体側から補強板側を推奨致します。  
補強フィルム材質は、ポリイミドを推奨致します。  
接着剤は熱硬化接着剤を推奨致します。  
尚、接着剤の接点部への付着は導通不良の原因になりますので、  
染み出しが無い様、お願い致します。

ABOUT FPC:  
RECOMMENDED PUNCHER DIRECTION:  
FROM CONDUCTOR SIDE TO STIFFNER FILM SIDE.  
RECOMMENDED MATERIAL:  
STIFFENER FILM: POLYIMIDE  
BONDING AGENT: THERMOSETTING AGENT  
PLEASE PUT APPROPRIATE AMOUNT OF ADHESIVE ON ADHEREND  
BECAUSE THERE IS A POSSIBILITY THAT THE EXTRA ADHESIVE  
CAUSES THE DEFECT IN ELECTRICAL CONTINUITY.

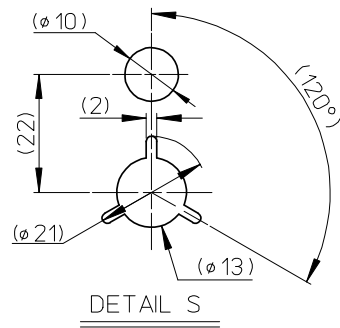
|                                                                                                                                     |             |                                                      |       |                             |                    |                                                                                       |                        |                        |  |  |
|-------------------------------------------------------------------------------------------------------------------------------------|-------------|------------------------------------------------------|-------|-----------------------------|--------------------|---------------------------------------------------------------------------------------|------------------------|------------------------|--|--|
| SEE SHEET 1<br>EC NO: J2008-4277<br>DRWN: TRSUZUKI 2008/06/17<br>CHKD: KMORIKAWA 2008/06/18<br>APPR: KMORIKAWA 2008/06/18<br>REV: A | DESCRIPTION | GENERAL TOLERANCES (UNLESS SPECIFIED)                |       | DIMENSION STYLE<br>MM ONLY  |                    | SCALE<br>10:1                                                                         | DESIGN UNITS<br>METRIC | THIRD ANGLE PROJECTION |  |  |
|                                                                                                                                     |             | 10 UNDER                                             | ±0.2  | DRAWN BY<br>TRSUZUKI        | DATE<br>2008/06/17 | TITLE<br>0.3 FPC CONN (H=0.62)<br>HSG ASSY BOTTOM CONTACT<br>GOLD WITH NICKEL BARRIER |                        |                        |  |  |
|                                                                                                                                     |             | 10 OVER 30 UNDER                                     | ±0.25 | CHECKED BY<br>KMORIKAWA     | DATE<br>2008/06/17 | MOLEX INCORPORATED                                                                    |                        |                        |  |  |
|                                                                                                                                     |             | 30 OVER                                              | ±0.3  | APPROVED BY<br>HHRATA       | DATE<br>2008/06/17 |                                                                                       |                        |                        |  |  |
| ANGULAR ±1 °                                                                                                                        |             | DRAFT WHERE APPLICABLE MUST REMAIN WITHIN DIMENSIONS |       | MATERIAL NO.<br>SEE SHEET 1 |                    | DOCUMENT NO.<br>SD-502761-001                                                         |                        | SHEET NO.<br>3 OF 3    |  |  |
| THIS DRAWING CONTAINS INFORMATION THAT IS PROPRIETARY TO MOLEX INCORPORATED AND SHOULD NOT BE USED WITHOUT WRITTEN PERMISSION       |             |                                                      |       |                             |                    |                                                                                       |                        |                        |  |  |

NOTES

- 製品詳細寸法につきましては、SD-502761-001 を参照ください。  
RE DETAILED DIMENSION, SEE SD-502761-001
- 梱包数量：3000個/リール  
NUMBER OF CONNECTORS：3000PCS/REEL
- リードテープの長さ  
LEAD TAPE LENGTH

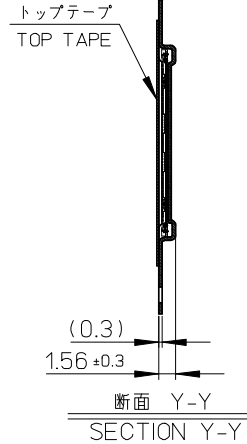
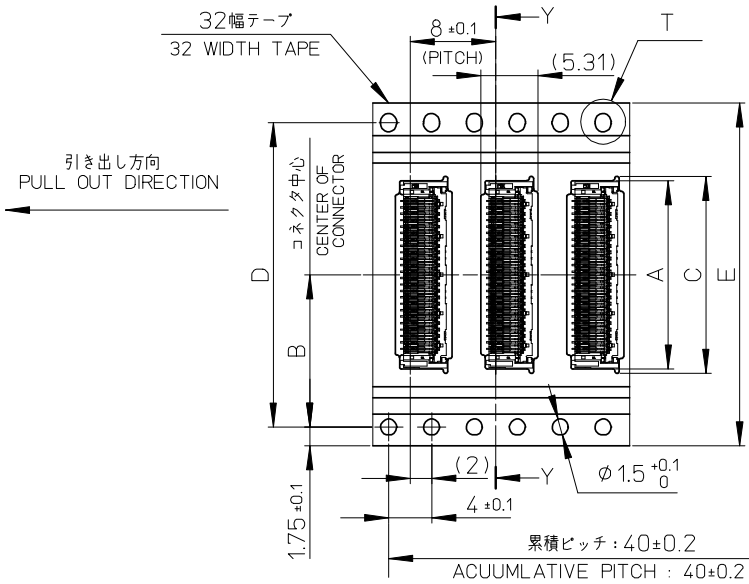


- 材料(MATERIAL)  
キャリアテープ(CARRIER TAPE)：ポリスチレン(POLYSTYRENE)  
トップテープ(TOP TAPE)：PET, PE, PEF  
リール(REEL)：ポリスチレン(POLYSTYRENE) <リサイクル材を含む>  
<RECYCLE MATERIAL CONTAINED>
- ELV 及び RoHS適合品  
ELV AND RoHS COMPLIANT.

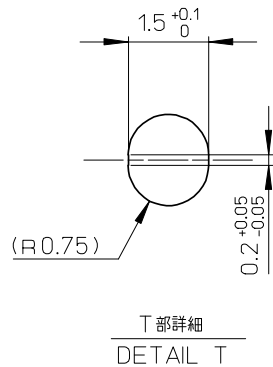
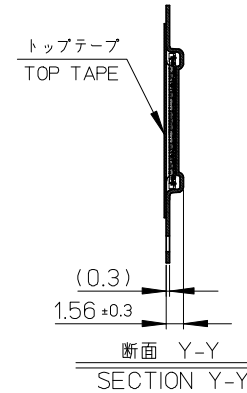
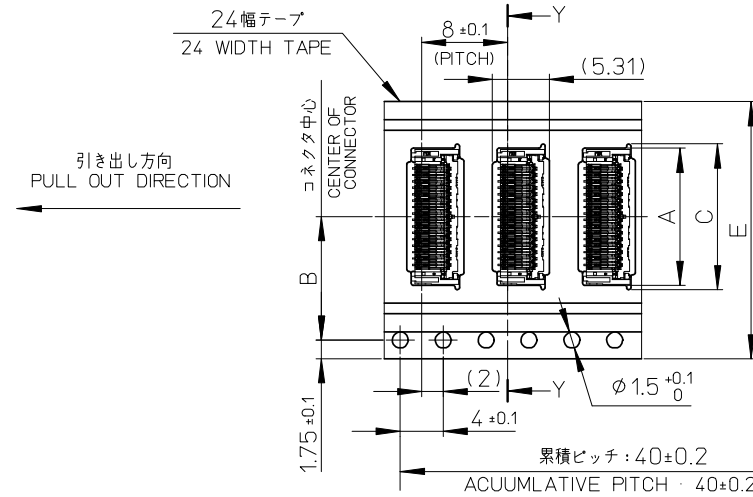


|                                                                                                                         |                                       |       |                                                                                                                               |                    |                                                                                                  |                        |                        |  |
|-------------------------------------------------------------------------------------------------------------------------|---------------------------------------|-------|-------------------------------------------------------------------------------------------------------------------------------|--------------------|--------------------------------------------------------------------------------------------------|------------------------|------------------------|--|
| RELEASED<br>EC NO: J2008-3700<br>DRWN: TRSUZUKI 2008/06/13<br>CH'KD: KMORIKAWA 2008/06/13<br>APPR: KMORIKAWA 2008/06/16 | GENERAL TOLERANCES (UNLESS SPECIFIED) |       | DIMENSION STYLE<br>MM ONLY                                                                                                    |                    | SCALE<br>---                                                                                     | DESIGN UNITS<br>METRIC | THIRD ANGLE PROJECTION |  |
|                                                                                                                         | 10 UNDER                              | ±0.2  | DRAWN BY<br>TRSUZUKI                                                                                                          | DATE<br>2008/06/11 | TITLE<br>0.3 FPC CONN (H=0.62)<br>EMBOSSED TAPE PACKAGE<br>GOLD WITH NICKEL BARRIER              |                        |                        |  |
|                                                                                                                         | 10 OVER 30 UNDER                      | ±0.25 | CHECKED BY<br>KMORIKAWA                                                                                                       | DATE<br>2008/06/11 |                                                                                                  |                        |                        |  |
|                                                                                                                         | 30 OVER                               | ±0.3  | APPROVED BY<br>HIRATA                                                                                                         | DATE<br>2008/06/11 | MOLEX INCORPORATED<br>MATERIAL NO. SEE SHEET 2<br>DOCUMENT NO. SD-502761-002<br>SHEET NO. 1 OF 2 |                        |                        |  |
|                                                                                                                         | ANGULAR                               | ±1 °  | DRAFT WHERE APPLICABLE MUST REMAIN WITHIN DIMENSIONS                                                                          |                    |                                                                                                  |                        |                        |  |
|                                                                                                                         | 0                                     | REV   | THIS DRAWING CONTAINS INFORMATION THAT IS PROPRIETARY TO MOLEX INCORPORATED AND SHOULD NOT BE USED WITHOUT WRITTEN PERMISSION |                    |                                                                                                  |                        |                        |  |

キャリアテープ幅: 32mm品



キャリアテープ幅: 24mm品



|      |      |                                     |      |      |      |      |                      |                |
|------|------|-------------------------------------|------|------|------|------|----------------------|----------------|
| 37.4 | 33.4 | 32±0.3                              | 28.4 | 18.4 | 14.2 | 17.6 | 502761-4900          | 49             |
| 29.4 | 25.4 | 24±0.3                              | ---  | 13.6 | 11.5 | 12.8 | 502761-3300          | 33             |
| G    | F    | E<br>キャリアテープ幅<br>CARRIER TAPE WIDTH | D    | (C)  | (B)  | (A)  | 製品番号<br>MATERIAL NO. | 極数<br>CIRCUITS |

|                                                                                                                           |                                                      |       |                                         |  |                                                                                                                               |                        |                        |  |
|---------------------------------------------------------------------------------------------------------------------------|------------------------------------------------------|-------|-----------------------------------------|--|-------------------------------------------------------------------------------------------------------------------------------|------------------------|------------------------|--|
| SEE SHEET 1<br>EC NO: J2008-3700<br>DRWN: TRSUZUKI 2008/06/13<br>CHKD: KMORIKAWA 2008/06/13<br>APPR: KMORIKAWA 2008/06/16 | GENERAL TOLERANCES (UNLESS SPECIFIED)                |       | DIMENSION STYLE<br>MM ONLY              |  | SCALE<br>---                                                                                                                  | DESIGN UNITS<br>METRIC | THIRD ANGLE PROJECTION |  |
|                                                                                                                           | 10 UNDER                                             | ±0.2  | DRAWN BY DATE<br>TRSUZUKI 2008/06/11    |  | TITLE<br>0.3 FPC CONN (H=0.62)<br>EMBOSSED TAPE PACKAGE<br>GOLD WITH NICKEL BARRIER                                           |                        |                        |  |
|                                                                                                                           | 10 OVER 30 UNDER                                     | ±0.25 | CHECKED BY DATE<br>KMORIKAWA 2008/06/11 |  |                                                                                                                               |                        |                        |  |
|                                                                                                                           | 30 OVER                                              | ±0.3  | APPROVED BY DATE<br>HIRATA 2008/06/11   |  | MOLEX INCORPORATED                                                                                                            |                        |                        |  |
|                                                                                                                           | ANGULAR                                              | ±1 °  | MATERIAL NO.<br>SEE CHART               |  | DOCUMENT NO.<br>SD-502761-002                                                                                                 |                        | SHEET NO.<br>2 OF 2    |  |
| 0                                                                                                                         | DRAFT WHERE APPLICABLE MUST REMAIN WITHIN DIMENSIONS |       | SIZE<br>A3                              |  | THIS DRAWING CONTAINS INFORMATION THAT IS PROPRIETARY TO MOLEX INCORPORATED AND SHOULD NOT BE USED WITHOUT WRITTEN PERMISSION |                        |                        |  |