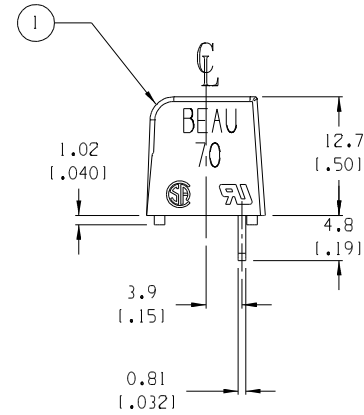
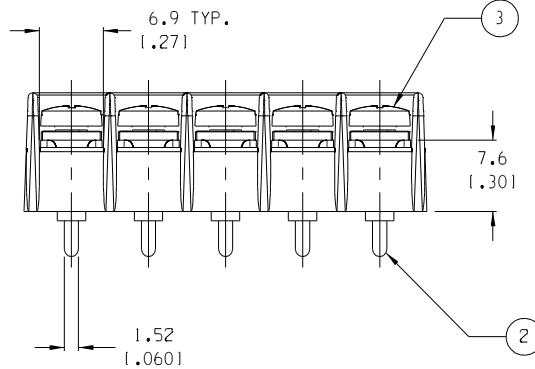


PTH PATTERN



NOTES:

- 1. MATERIAL: SEE TABLE
- 2. FINISHES: SEE TABLE
- 3. PRODUCT SPECIFICATION: NOT REQUIRED
- 4. PACKAGING: NOT REQUIRED
- 5. MATES WITH: NONE

ITEM	QTY.	DESCRIPTION	MATERIAL	FINISH
3	5	SCREW, #6-32X.250, PHIL-SLOT W/SO. WASHER	STEEL	ZN, CLEAR CHROMATE
2	5	TERMINAL, PC, LONG	BRASS	TIN PLATE
1	1	INSULATOR, SR, CS, PADS	PBT	BLACK

EC NO. RELEASED DRAWN: CLY CHK: K: APPR: A	DESCRIPTION	QUALITY SYMBOLS
	REV	MAJOR CRITICAL SPC S

GENERAL TOLERANCES: (UNLESS SPECIFIED)	
mm	INCH
4 PLACES	±.0015
3 PLACES	±.038 ±.005
2 PLACES	±.13 ±.01
1 PLACE	±.3
ANGULAR: ±2°	
DRAFT WHERE APPLICABLE MUST REMAIN WITHIN DIMENSIONS	

SCALE: 2:1	DESIGN UNITS: <input type="checkbox"/> mm <input checked="" type="checkbox"/> INCH
DRAWN BY & DATE: C. YORK 06-22-05	
CHECKED BY & DATE:	
APPROVED BY & DATE:	
CAD FILENAME: 70R505-C-P-19-50	

PROJECT NO.:	-	-
DIMENSIONS:	SHT	REV
<input checked="" type="checkbox"/> mm <input type="checkbox"/> INCH	<input type="checkbox"/> mm ONLY	REVISE ON CAD ONLY
TITLE: 8.26mm (.325") SR, CS BTS ASSY, PC, PADS, -50 SCREW, 5/C		
MOLEX INCORPORATED		
MATERIAL NO.:	DRAWING NO.:	SHEET NO.:
70R505-0231	SD-38709-0231	1 OF 1
THIS DRAWING CONTAINS INFORMATION THAT IS PROPRIETARY TO MOLEX INCORPORATED AND SHOULD NOT BE USED WITHOUT WRITTEN PERMISSION.		SIZE B