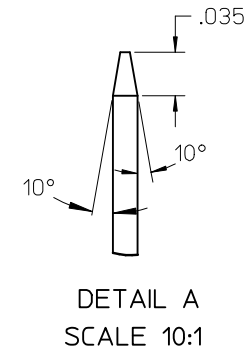
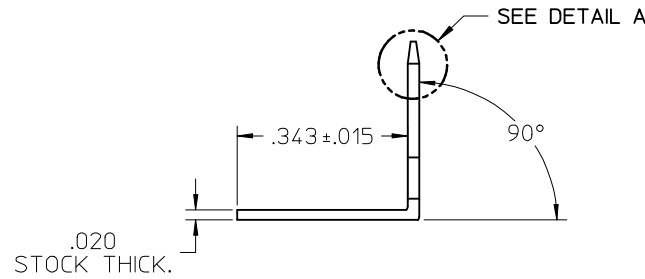
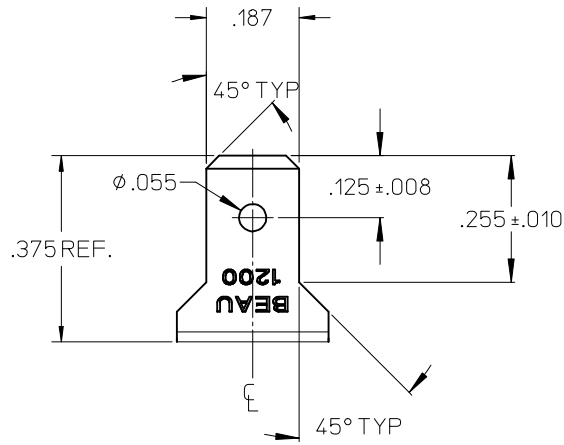
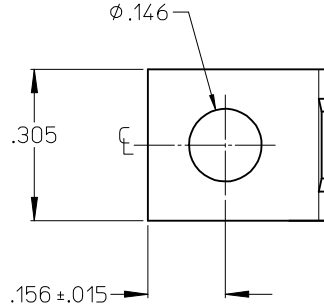


MATERIAL NO.	ENGINEERING NO.	DESCRIPTION	MATERIAL	FINISH
380020039	1215	TERMINAL, FAST-TAB VR	BRASS	TIN OVER COPPER PLATED



NOTES:
1. PART IS ROHS COMPLIANT.

INITIAL RELEASE EC NO: WNA2010-0069 DRAWN: JENCINAS 2009/08/21 CHKD: CYORK 2009/09/14 APPR: JMACNEIL 2009/09/14	DESCRIPTION REV A	QUALITY SYMBOLS	GENERAL TOLERANCES (UNLESS SPECIFIED)	DIMENSION STYLE INCH ONLY		SCALE 4:1	DESIGN UNITS INCH	THIRD ANGLE PROJECTION	
		▽=0	mm INCH	DRAWN BY	DATE	TITLE TERMINAL, .187 FAST-TAB SGL TAB 1 HOLE 90/VERT (CAT# 1215)			
		▽=0	4 PLACES ± --- ± ---	J. ENCINAS	2009/07/28				
			3 PLACES ± --- ± .005	CHECKED BY	DATE	MATERIAL NO. SD-38002-069			
			2 PLACES ± --- ± .01	C. YORK	2009/07/28				
	1 PLACE ± --- ± ---	APPROVED BY	DATE	DOCUMENT NO. SD-38002-069					
	ANGULAR ± 2 °	JMACNEIL	2009/07/28						
DRAFT WHERE APPLICABLE MUST REMAIN WITHIN DIMENSIONS			SEE CHART		SHEET NO. 1 OF 1				
THIS DRAWING CONTAINS INFORMATION THAT IS PROPRIETARY TO MOLEX INCORPORATED AND SHOULD NOT BE USED WITHOUT WRITTEN PERMISSION									