

**PLEASE CHECK WWW.MOLEX.COM FOR LATEST PART INFORMATION**

**Part Number:** [0358421306](#)  
**Status:** **Active**  
**Overview:** Automotive Bulb Sockets  
**Description:** PT Bulb Socket, Double Housing Assembly, Type A, Sealed, White

**Documents:**

[3D Model](#) [Packaging Specification PK-35842-001-001 \(PDF\)](#)  
[3D Model \(PDF\)](#) [RoHS Certificate of Compliance \(PDF\)](#)  
[Drawing \(PDF\)](#)

**General**

Product Family	Other Sockets
Series	<a href="#">35842</a>
Comments	A-Type
Component Type	Socket
Overview	<a href="#">Automotive Bulb Sockets</a>
Product Name	Bulb Socket
UPC	756054269732

**Physical**

Circuits (Loaded)	3
Circuits (maximum)	3
Color - Resin	White
Durability (mating cycles max)	30
Entry Angle	Vertical
Keying to Mating Part	None
Material - Metal	Phosphor Bronze
Material - Resin	Nylon
Net Weight	10.655/g
PCB Locator	No
PCB Retention	N/A
Packaging Type	Bag
Pitch - Mating Interface	N/A
Pitch - Termination Interface	N/A
Temperature Range - Operating	-40° to +105°C
Termination Interface: Style	Through Hole

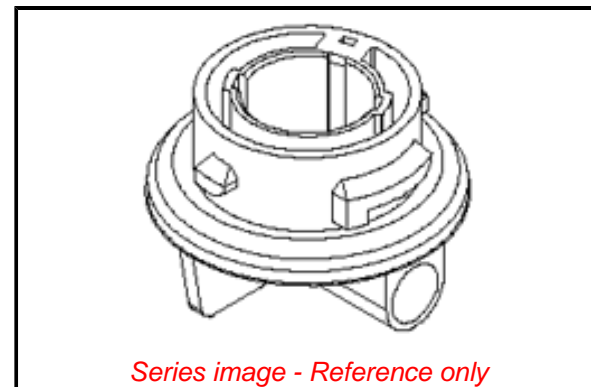
**Electrical**

Current - Maximum per Contact	5.0A, 7.0A
Voltage - Maximum	12V

**Material Info**

**Reference - Drawing Numbers**

Packaging Specification	PK-35842-001-001
Sales Drawing	SD-35842-001



*Series image - Reference only*

**EU ELV**

**Compliant**

**EU RoHS**

**Compliant**

**REACH SVHC**

Not Contained Per -  
D(2020)4578-DC (25  
June 2020)

**Halogen-Free**

**Status**

**Low-Halogen**

For more information, please visit [Contact US](#)

China ROHS

Not Relevant

ELV

Compliant

RoHS Phthalates

Not Contained

**Search Parts in this Series**

[35842](#) Series

**Mates With**

Lamp

**Use With**

Positive Terminal for PT Bulb Socket  
[354648000](#) <br>Earth Terminal for PT Bulb  
 Socket [354658000](#) <br>Positive Wire Seal  
[359030096](#) <br>Earth Wire Seal [359030106](#)