

PLEASE CHECK WWW.MOLEX.COM FOR LATEST PART INFORMATION

Part Number: [0355720600](#)
Status: **Active**
Description: 2.50mm Pitch Wire-to-Wire and Wire-to-Board Housing, Positive Lock, Nylon 6/6 Material, 6 Circuits, Natural

Documents:

[3D Model](#) [Packaging Specification PK-35572-001-001 \(PDF\)](#)
[Drawing \(PDF\)](#) [RoHS Certificate of Compliance \(PDF\)](#)
[Product Specification PS-35572-001 \(PDF\)](#)

Agency Certification

UL E29179

General

Product Family Crimp Housings
 Series [35572](#)
 Application Signal, Wire-to-Board, Wire-to-Wire
 Product Name N/A
 UPC 800755993165

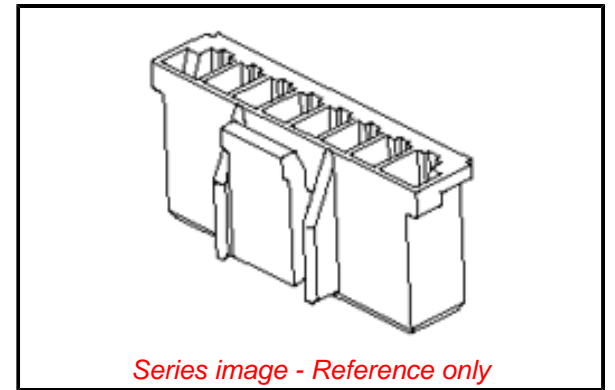
Physical

Breakaway No
 Circuits (maximum) 6
 Color - Resin Natural
 Flammability 94V-0
 Gender Receptacle
 Glow-Wire Compliant No
 Keying to Mating Part None
 Lock to Mating Part Yes
 Material - Resin Polyester
 Net Weight 0.566/g
 Number of Rows 1
 Packaging Type Bag
 Panel Mount No
 Pitch - Mating Interface 2.50mm
 Pitch - Termination Interface 2.50mm
 Temperature Range - Operating -40°C to +105°C

Material Info

Reference - Drawing Numbers

Packaging Specification PK-35572-001-001
 Product Specification PS-35572-001
 Sales Drawing SD-35572-001



EU ELV

Not Relevant

EU RoHS

Compliant

REACH SVHC

Not Contained Per -
 ED/30/2017 (7 July
 2017)

Halogen-Free

Status

Not Low-Halogen

**Need more information on product
 environmental compliance?**

Email productcompliance@molex.com
 Please visit the [Contact Us](#) section for any
 non-product compliance questions.

China ROHS

ELV

RoHS Phthalates

Green Image

Not Relevant

Not Contained

Search Parts in this Series

[35572](#) Series

Mates With

[35312](#) Vertical Shrouded Header, [35184](#)
 Plug Housing

Use With

[57915](#) Wire-to-Board Terminal