

PLEASE CHECK WWW.MOLEX.COM FOR LATEST PART INFORMATION

Part Number: [0355070600](#)
Status: **Active**
Overview: [Sherlock Wire-to-Board Connector System](#)
Description: 2.00mm Pitch Sherlock Wire-to-Board Housing, Natural, 6 Circuits

Documents:

| | |
|--|--|
| 3D Model | Product Specification PS-35507-003-001 (PDF) |
| Drawing (PDF) | Packaging Specification 355070200-100 (PDF) |
| 3D Model (PDF) | Packaging Specification PK-35507-001-001 (PDF) |
| Product Specification PS-35507-001-001 (PDF) | RoHS Certificate of Compliance (PDF) |

Agency Certification

| | |
|-----|---------|
| CSA | LR19980 |
| UL | E29179 |

General

| | |
|----------------|---|
| Product Family | Crimp Housings |
| Series | 35507 |
| Application | Signal, Wire-to-Board |
| Overview | Sherlock Wire-to-Board Connector System |
| Product Name | Sherlock |
| Taxonomy | Connector Housings |
| UPC | 800753694583 |

Physical

| | |
|-------------------------------|----------------|
| Circuits (maximum) | 6 |
| Circuits Detail | 6 |
| Color - Resin | Natural |
| Flammability | 94V-0 |
| Gender | Receptacle |
| Glow-Wire Capable | No |
| Keying to Mating Part | None |
| Lock to Mating Part | Yes |
| Material - Resin | Polyester |
| Net Weight | 0.286/g |
| Number of Rows | 1 |
| Packaging Type | Bag |
| Panel Mount | No |
| Pitch - Mating Interface | 2.00mm |
| Polarized to Mating Part | Yes |
| Stackable | No |
| Temperature Range - Operating | -40° to +105°C |

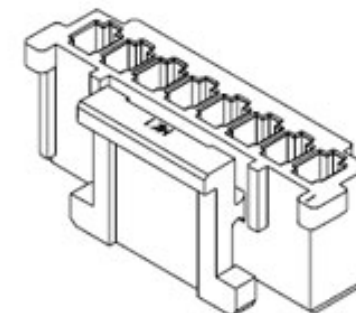
Electrical

| | |
|-------------------------------|------|
| Current - Maximum per Contact | 2.0A |
|-------------------------------|------|

Material Info

Reference - Drawing Numbers

| | |
|-------------------------|--|
| Packaging Specification | 355070200-100, PK-35507-001-001 |
| Product Specification | PS-35507-001-001, PS-35507-003-001 |
| Sales Drawing | SD-35507-001-001, SD-35507-001-002, SD-35507-001-003 |



Series image - Reference only

EU ELV

Not Relevant

EU RoHS

Compliant

REACH SVHC

Not Contained Per -
D(2022)4187-DC (10
June 2022)

Halogen-Free

Status

Not Low-Halogen

For more information, please visit [Contact US](#)

China ROHS

ELV

RoHS Phthalates

China RoHS

Green Image

Not Relevant

Not Contained

Search Parts in this Series

[35507 Series](#)

Mates With

Sherlock Wire-to-Board Header [35362](#) ,
[35363](#)

Use With

2.00mm Pitch Crimp Terminal [50212](#)