

**PLEASE CHECK WWW.MOLEX.COM FOR LATEST PART INFORMATION**

**Part Number:** [0355070400](#)  
**Status:** **Active**  
**Overview:** [Sherlock Wire-to-Board Connector System](#)  
**Description:** 2.00mm Pitch Sherlock Wire-to-Board Housing, Natural, 4 Circuits

**Documents:**

|  |  |
|--|--|
| <a href="#">3D Model</a>                                     | <a href="#">Product Specification PS-35507-003-001 (PDF)</a>   |
| <a href="#">Drawing (PDF)</a>                                | <a href="#">Packaging Specification 355070200-100 (PDF)</a>    |
| <a href="#">3D Model (PDF)</a>                               | <a href="#">Packaging Specification PK-35507-001-001 (PDF)</a> |
| <a href="#">Product Specification PS-35507-001-001 (PDF)</a> | <a href="#">RoHS Certificate of Compliance (PDF)</a>           |

**Agency Certification**

|     |         |
|-----|---------|
| CSA | LR19980 |
| UL  | E29179  |

**General**

|                |   |
|----------------|---|
| Product Family | Crimp Housings  |
| Series         | <a href="#">35507</a>                                   |
| Application    | Signal, Wire-to-Board                                   |
| Overview       | <a href="#">Sherlock Wire-to-Board Connector System</a> |
| Product Name   | Sherlock  |
| Taxonomy       | Connector Housings                                      |
| UPC            | 800754241861  |

**Physical**

|                               |                |
|-------------------------------|----------------|
| Circuits (maximum)            | 4              |
| Circuits Detail               | 4              |
| Color - Resin                 | Natural        |
| Flammability                  | 94V-0          |
| Gender                        | Receptacle     |
| Glow-Wire Capable             | No             |
| Keying to Mating Part         | None           |
| Lock to Mating Part           | Yes            |
| Material - Resin              | Polyester      |
| Net Weight                    | 0.206/g        |
| Number of Rows                | 1              |
| Packaging Type                | Bag            |
| Panel Mount                   | No             |
| Pitch - Mating Interface      | 2.00mm         |
| Polarized to Mating Part      | Yes            |
| Stackable                     | No             |
| Temperature Range - Operating | -40° to +105°C |

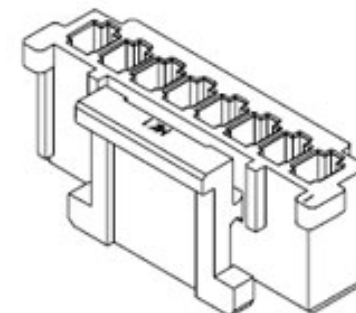
**Electrical**

|                               |      |
|-------------------------------|------|
| Current - Maximum per Contact | 2.0A |
|-------------------------------|------|

**Material Info**

**Reference - Drawing Numbers**

|                         |  |
|-------------------------|--|
| Packaging Specification | 355070200-100, PK-35507-001-001                      |
| Product Specification   | PS-35507-001-001, PS-35507-003-001                   |
| Sales Drawing           | SD-35507-001-001, SD-35507-001-002, SD-35507-001-003 |



*Series image - Reference only*

**EU ELV**

**Compliant**

**EU RoHS**

**Compliant**

**REACH SVHC**

Not Contained Per -  
D(2022)4187-DC (10  
June 2022)

**Halogen-Free**

**Status**

**Not Low-Halogen**

For more information, please visit [Contact US](#)

China ROHS

ELV

RoHS Phthalates

**China RoHS**

Green Image

Compliant

Not Contained

**Search Parts in this Series**

[35507 Series](#)

**Mates With**

Sherlock Wire-to-Board Header [35362](#) ,  
[35363](#)

**Use With**

2.00mm Pitch Crimp Terminal [50212](#)