

**PLEASE CHECK WWW.MOLEX.COM FOR LATEST PART INFORMATION**

**Part Number:** [0353120860](#)  
**Status:** **Active**  
**Description:** 2.50mm Pitch Header, Vertical, Shrouded, with Positive Lock, 8 Circuits, PA Polyamide (Nylon) 6/6, Glass-filled, Natural  
**Replacement Part Number :** <http://www.molex.com/molex/search/partSearch?pQuery=&sType=p&query=0353120860353120860>

**Documents:**

|  |  |
|--|--|
| <a href="#">3D Model</a>                                     | <a href="#">Packaging Specification PK-35312-013-001 (PDF)</a> |
| <a href="#">Drawing (PDF)</a>                                | <a href="#">Packaging Specification PK-35312-014-001 (PDF)</a> |
| <a href="#">3D Model (PDF)</a>                               | <a href="#">RoHS Certificate of Compliance (PDF)</a>           |
| <a href="#">Product Specification PS-35155-002-001 (PDF)</a> |  |

**Agency Certification**

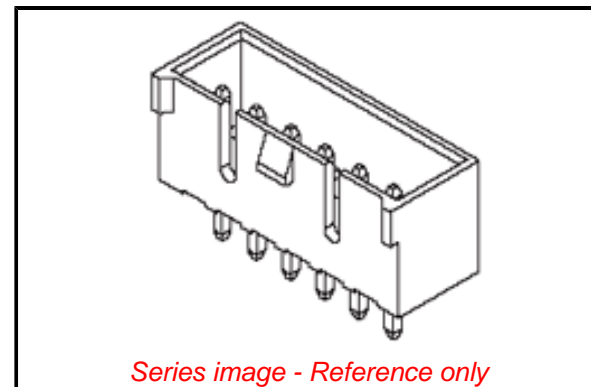
|     |         |
|-----|---------|
| CSA | LR19980 |
| UL  | E29179  |

**General**

|                         |                             |
|-------------------------|-----------------------------|
| Product Family          | PCB Headers                 |
| Series                  | <a href="#">35312</a>       |
| Application             | Signal, Wire-to-Board       |
| Product Name            | N/A                         |
| Replacement Part Number | <a href="#">353120860</a>   |
| Taxonomy                | PCB Headers and Receptacles |
| UPC                     | 822348799268                |

**Physical**

|                                |          |
|--------------------------------|----------|
| Breakaway                      | No       |
| Circuits (Loaded)              | 8        |
| Circuits (maximum)             | 8        |
| Color - Resin                  | Natural  |
| Durability (mating cycles max) | 30       |
| First Mate / Last Break        | No       |
| Flammability                   | 94V-0    |
| Glow-Wire Capable              | No       |
| Guide to Mating Part           | No       |
| Keying to Mating Part          | None     |
| Lock to Mating Part            | Yes      |
| Material - Plating Mating      | Tin      |
| Material - Plating Termination | Tin      |
| Material - Resin               | Nylon    |
| Net Weight                     | 0.786/g  |
| Number of Rows                 | 1        |
| Orientation                    | Vertical |
| PC Tail Length                 | 3.40mm   |
| PCB Locator                    | No       |
| PCB Retention                  | None     |
| PCB Thickness - Recommended    | 1.60mm   |
| Packaging Type                 | Bag      |
| Pitch - Mating Interface       | 2.50mm   |
| Pitch - Termination Interface  | 2.50mm   |
| Plating min - Mating           | 5.080µm  |
| Plating min - Termination      | 5.080µm  |
| Polarized to PCB               | No       |
| Shrouded                       | Partial  |
| Stackable                      | No       |
| Surface Mount Compatible (SMC) | No       |



*Series image - Reference only*

**EU ELV**

**Not Relevant**

**EU RoHS**

**Compliant**

**REACH SVHC**

Not Contained Per -  
D(2022)4187-DC (10  
June 2022)

**Halogen-Free**

**Status**

**Not Low-Halogen**

For more information, please visit [Contact US](#)

China ROHS

ELV

RoHS Phthalates

Green Image

Not Relevant

Not Contained

**Search Parts in this Series**

[35312](#) Series

**Mates With**

Wire-to-Wire and Wire-to-Board Housing  
[35572](#) Crimp Housing, [35155](#)

Temperature Range - Operating -40° to +105°C  
Termination Interface: Style Through Hole

**Electrical**

Current - Maximum per Contact 3.0A  
Voltage - Maximum 250V

**Material Info**

**Reference - Drawing Numbers**

Packaging Specification PK-35312-013-001, PK-35312-014-001  
Product Specification PS-35155-002-001  
Sales Drawing SD-35312-004-001, SD-35312-005-001

This document was generated on 09/21/2022

**PLEASE CHECK [WWW.MOLEX.COM](http://WWW.MOLEX.COM) FOR LATEST PART INFORMATION**