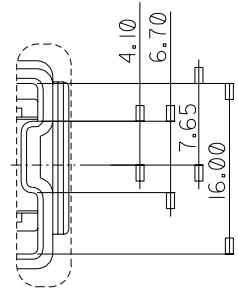
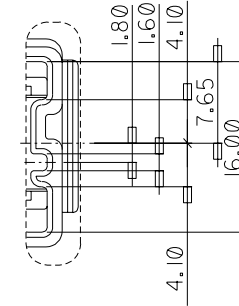
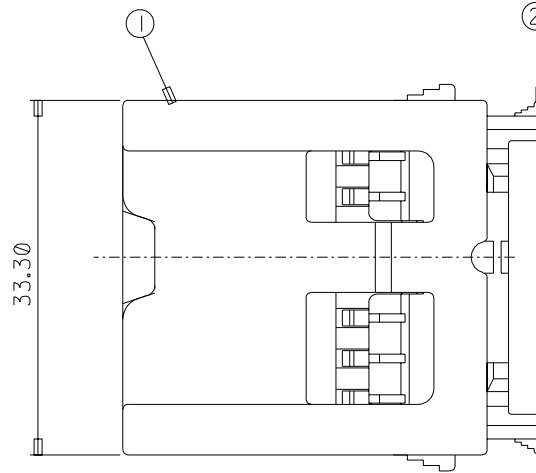


DO NOT SCALE DRAWING DIMENSION IN METRIC

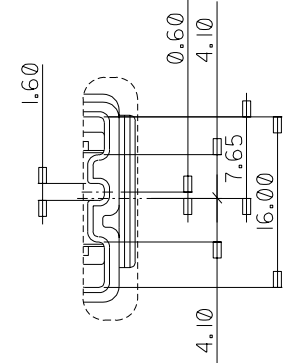
PROJECT NO. SD-35282-1210  
SIMILAR ITEM



35282-1210 (NATURAL)

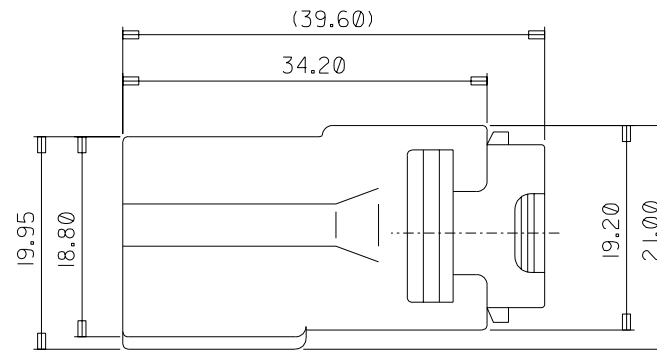
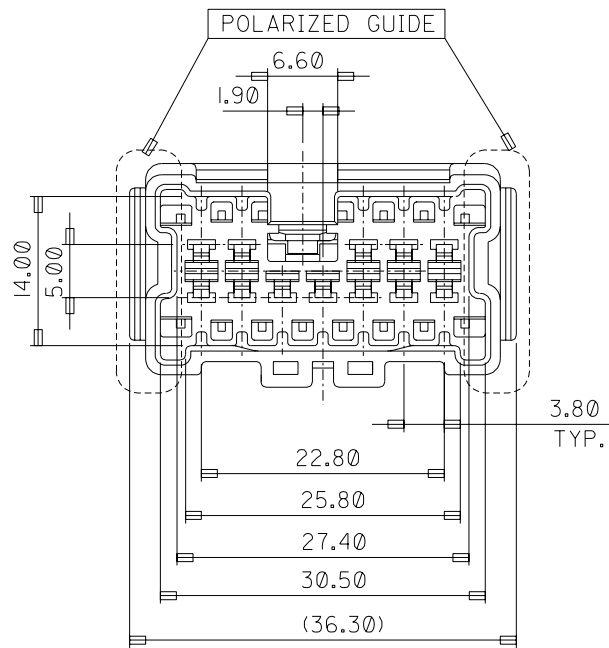


35282-1215 (GRAY)

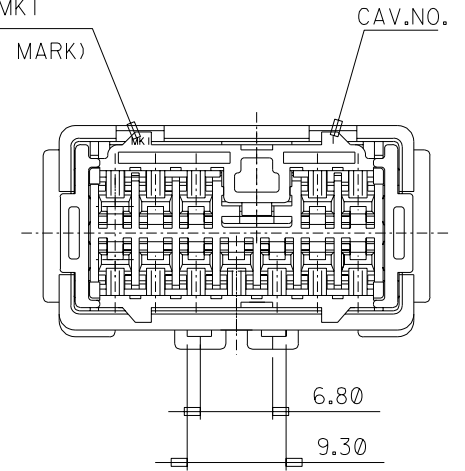


35282-1217 (BROWN)

POLARIZED GUIDE DIM'S



MKI  
(TRADE MARK)



|   | PART NO.   | PART NAME                | MATERIAL   |
|---|------------|--------------------------|------------|
| ① | 35282-129* | UNICONN MALE HOUSING-12P | PBT        |
| ② | 35283-1281 | UNICONN MALE TPA-12P     | PBT, BLACK |

|   |                                      |  |  |  |                           |
|---|--------------------------------------|--|--|--|---------------------------|
| REVISED<br>EC NO. KOR2003-0057<br>DRWN: S.M.KIM 03/09/20<br>CHK: B.C.YOON 03/09/20<br>APPR: C.M.LEE | QUALITY SYMBOLS<br>MAJOR<br>CRITICAL | GENERAL TOLERANCES: UNLESS SPECIFIED:<br>4 PLACES ±0.10 mm ±.005 INCH<br>3 PLACES ±0.15 mm ±.006 INCH<br>2 PLACES ±0.20 mm ±.008 INCH<br>1 PLACE ±0.30 mm ±.012 INCH | SCALE: 1:1<br>DESIGN UNITS: <input checked="" type="checkbox"/> mm <input type="checkbox"/> INCH | DIMENSIONS: <input type="checkbox"/> INCH <input checked="" type="checkbox"/> mm<br><input type="checkbox"/> INCH <input type="checkbox"/> mm ONLY | SHT<br>REV                |
|   |                                      | DRAWN BY & DATE<br>W.Y. YANG, 97/11/17<br>CHECKED BY & DATE<br>B.K. CHOI, 97/11/17<br>APPROVED BY & DATE<br>C.W. LEE, 97/11/17                                       | TITLE:<br>UNICONN MALE ASS'Y-12P   | CAD FILENAME<br>SD2821210.DGN  | MATERIAL NO.<br>SEE TABLE |
| DRAFT WHERE APPLICABLE MUST REMAIN WITHIN DIMENSIONS  |                                      | THIS DRAWING CONTAINS INFORMATION THAT IS PROPRIETARY TO MOLEX INCORPORATED AND SHOULD NOT BE USED WITHOUT WRITTEN PERMISSION.                                       |  |  | SIZE<br>C                 |