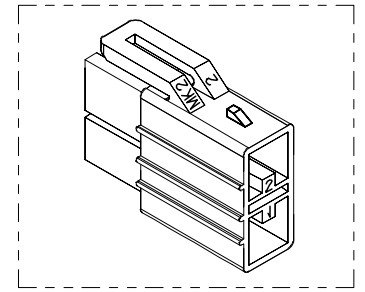
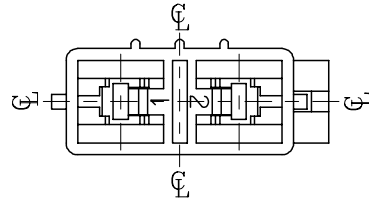
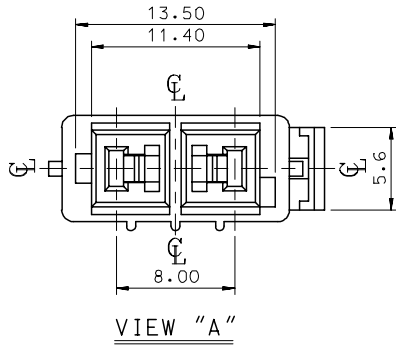
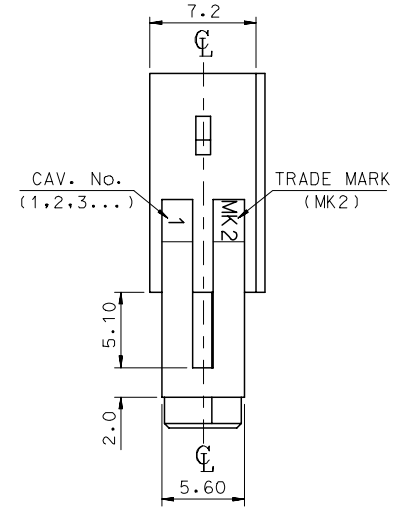
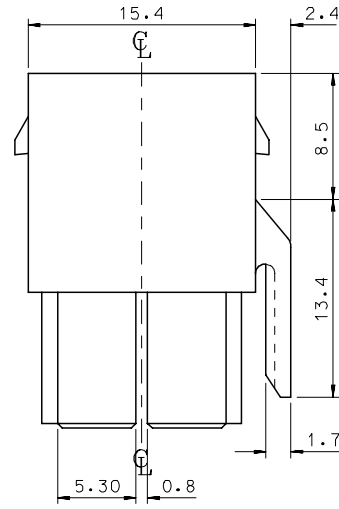
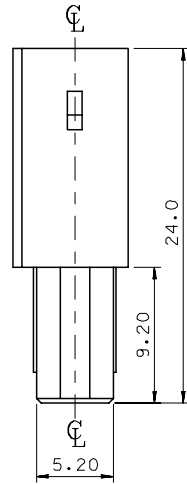


10 9 8 7 6 5 4 3 2 1



- NOTES
1. MATERIAL & COLOR : SEE TABLE
  2. MATCHED HOUSING : 35180-060\*
  3. APPLICABLE TERMINAL : 35748-0\*10
  4. APPLICABLE T.P.A : 35182-019\*



↑ "A"

NO	PRODUCT		MATERIAL	
	PART NO	MATERIAL NO	COLOR	DESCRIPTION
1	35181-0220	351810220	NATURAL	PBT (UL94V-0)
2	35181-0229	351810229	NATURAL	PBT/PC(UL94V-0)

REVISED	DESCRIPTION
EC NO: KOR2008-0078	2007/09/10
DRWN: JHPARK01	2007/09/10
CHKD: WY. YANG	2007/09/10
APPR: YUNSIKKIM	2007/09/10

QUALITY SYMBOLS  
 ▽=0  
 ▽=0

GENERAL TOLERANCES (UNLESS SPECIFIED)	
	mm
4 PLACES	± 0.15
3 PLACES	± 0.10
2 PLACES	± 0.08
1 PLACE	± 0.05
ANGULAR ± 1°	

DRAFT WHERE APPLICABLE MUST REMAIN WITHIN DIMENSIONS

DIMENSION STYLE	
MM ONLY	
DRAWN BY	DATE
JS. KANG	
CHECKED BY	DATE
APPROVED BY	DATE
MATERIAL NO.	DATE
SEE TABLE	

SCALE	DESIGN UNITS	THIRD ANGLE PROJECTION
3:1	METRIC	☉
TITLE		
.070 MULTI W/W CONN FEMALE HSG-2P(C)		
MOLEX INCORPORATED		SHEET NO.
SD-35181-022*		1 OF 01
THIS DRAWING CONTAINS INFORMATION THAT IS PROPRIETARY TO MOLEX INCORPORATED AND SHOULD NOT BE USED WITHOUT WRITTEN PERMISSION		

9 8 7 6 5 4 3 2 1