

**PLEASE CHECK WWW.MOLEX.COM FOR LATEST PART INFORMATION**

**Part Number:** **0351560600**  
**Status:** **Active**  
**Description:** 3.96mm Pitch Wire-to-Board Housing: Positive Locking, 6 Circuits, Natural

**Documents:**

|  |  |
|--|--|
| <a href="#">3D Model</a>                                     | <a href="#">Product Specification PS-35156-003-001 (PDF)</a>   |
| <a href="#">Drawing (PDF)</a>                                | <a href="#">Packaging Specification 351560200-100 (PDF)</a>    |
| <a href="#">3D Model (PDF)</a>                               | <a href="#">Packaging Specification PK-35156-001-001 (PDF)</a> |
| <a href="#">Product Specification PS-35156-001-001 (PDF)</a> | <a href="#">RoHS Certificate of Compliance (PDF)</a>           |

**Agency Certification**

|     |         |
|-----|---------|
| CSA | LR19980 |
| UL  | E29179  |

**General**

|                |                      |
|----------------|----------------------|
| Product Family | Crimp Housings       |
| Series         | 35156                |
| Application    | Power, Wire-to-Board |
| Product Name   | N/A                  |
| Taxonomy       | Connector Housings   |
| UPC            | 800754375870         |

**Physical**

|                               |                |
|-------------------------------|----------------|
| Breakaway                     | No             |
| Circuits (maximum)            | 6              |
| Color - Resin                 | Natural        |
| Flammability                  | 94V-0          |
| Gender                        | Receptacle     |
| Glow-Wire Capable             | No             |
| Keying to Mating Part         | None           |
| Lock to Mating Part           | Yes            |
| Material - Resin              | Polyester      |
| Net Weight                    | 1.573/g        |
| Number of Rows                | 1              |
| Packaging Type                | Bag            |
| Panel Mount                   | No             |
| Pitch - Mating Interface      | 3.96mm         |
| Pitch - Termination Interface | 3.96mm         |
| Stackable                     | No             |
| Temperature Range - Operating | -40° to +105°C |

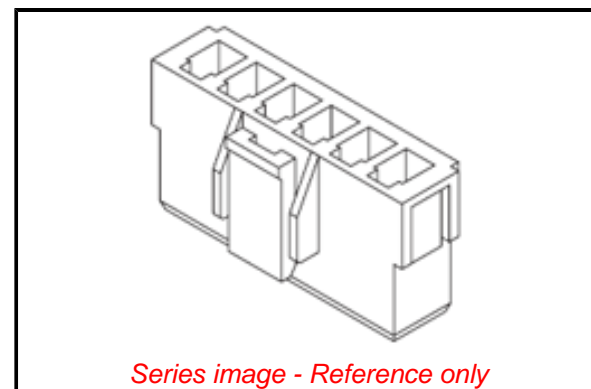
**Solder Process Data**

|                             |     |
|-----------------------------|-----|
| Lead-freeProcess Capability | N/A |
|-----------------------------|-----|

**Material Info**

**Reference - Drawing Numbers**

|                         |                                    |
|-------------------------|------------------------------------|
| Packaging Specification | 351560200-100, PK-35156-001-001    |
| Product Specification   | PS-35156-001-001, PS-35156-003-001 |



**EU ELV**

**Not Relevant**

**EU RoHS**

**Compliant**

**REACH SVHC**

Not Contained Per -  
D(2022)4187-DC (10  
June 2022)

**Halogen-Free**

**Status**

**Not Low-Halogen**

For more information, please visit [Contact US](#)

China ROHS

ELV

RoHS Phthalates

**China RoHS**

Green Image

Not Relevant

Not Contained

**Search Parts in this Series**

[35156](#) Series

**Mates With**

[35313](#) PCB Header, [35328](#) PCB Header

**Use With**

[50217](#) Crimp Terminals