

PLEASE CHECK WWW.MOLEX.COM FOR LATEST PART INFORMATION

Part Number: **0351560200**
Status: **Active**
Description: 3.96mm Pitch Wire-to-Board Housing: Positive Locking, 2 Circuits, Natural

Documents:

3D Model	Product Specification PS-35156-003-001 (PDF)
3D Model (PDF)	Packaging Specification 351560200-100 (PDF)
Drawing (PDF)	Packaging Specification PK-35156-001-001 (PDF)
Product Specification PS-35156-001-001 (PDF)	RoHS Certificate of Compliance (PDF)

Agency Certification

CSA	LR19980
UL	E29179

General

Product Family	Crimp Housings
Series	35156
Application	Power, Wire-to-Board
Product Name	N/A
Taxonomy	Connector Housings
UPC	800754375726

Physical

Breakaway	No
Circuits (maximum)	2
Color - Resin	Natural
Flammability	94V-0
Gender	Receptacle
Glow-Wire Capable	No
Keying to Mating Part	None
Lock to Mating Part	Yes
Material - Resin	Polyester
Net Weight	0.693/g
Number of Rows	1
Packaging Type	Bag
Panel Mount	No
Pitch - Mating Interface	3.96mm
Pitch - Termination Interface	3.96mm
Stackable	No
Temperature Range - Operating	-40° to +105°C

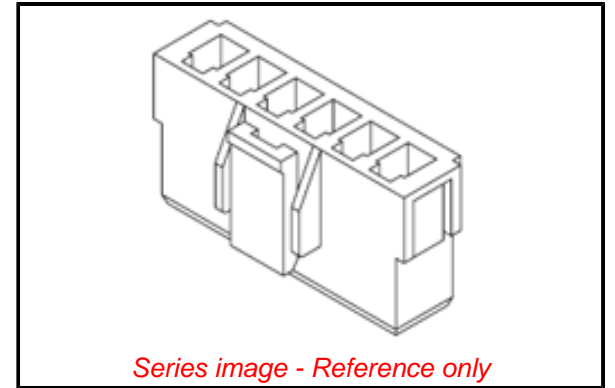
Solder Process Data

Lead-freeProcess Capability	N/A
-----------------------------	-----

Material Info

Reference - Drawing Numbers

Packaging Specification	351560200-100, PK-35156-001-001
Product Specification	PS-35156-001-001, PS-35156-003-001



EU ELV

Not Relevant

EU RoHS

Compliant

REACH SVHC

Not Contained Per -
D(2022)4187-DC (10
June 2022)

Halogen-Free

Status

Not Low-Halogen

For more information, please visit [Contact US](#)

China ROHS

ELV

RoHS Phthalates

China RoHS

Green Image

Not Relevant

Not Contained

Search Parts in this Series

[35156](#) Series

Mates With

[35313](#) PCB Header, [35328](#) PCB Header

Use With

[50217](#) Crimp Terminals