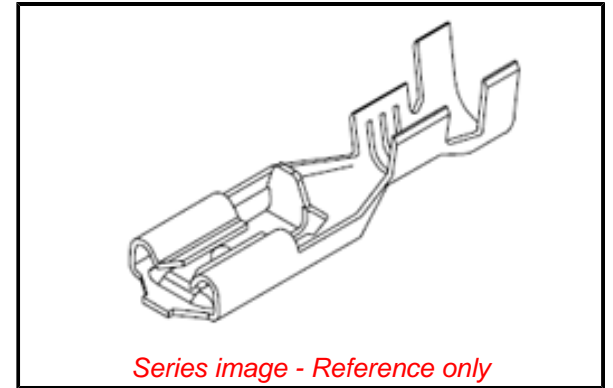


**PLEASE CHECK WWW.MOLEX.COM FOR LATEST PART INFORMATION**

**Part Number:** **0350689902**  
**Status:** **Active**  
**Overview:** Standard Quick-Disconnect Terminals  
**Description:** MP-Lock Quick Disconnect, Female, for 20x2, 20x18, 18x2 AWG (0.80-0.52mm<sup>2</sup>), Metal Strip, Tab 4.75 x 0.51mm, Pre-Tin Plated

**Documents:**

|  |  |
|--|--|
| <a href="#">Drawing (PDF)</a>                                | <a href="#">Product Specification PS-35817-001 (PDF)</a>       |
| <a href="#">Product Specification PS-35189-002-001 (PDF)</a> | <a href="#">Packaging Specification PK-35068-001-001 (PDF)</a> |
| <a href="#">Product Specification PS-35189-004 (PDF)</a>     | <a href="#">RoHS Certificate of Compliance (PDF)</a>           |



**Agency Certification**

|     |         |
|-----|---------|
| CSA | LR95446 |
| UL  | E92853  |

**General**

|                         |   |
|-------------------------|---|
| Product Family          | Quick Disconnects                                   |
| Series                  | <a href="#">35068</a>                               |
| Crimp Quality Equipment | Yes   |
| Insulated               | No  |
| Overview                | <a href="#">Standard Quick-Disconnect Terminals</a> |
| Product Name            | MP-Lock   |
| Type                    | Quick Disconnect                                    |
| UPC                     | 800754375146  |

**Physical**

|                                |                      |
|--------------------------------|----------------------|
| Barrel Type                    | Open                 |
| Gender                         | Female               |
| Glow-Wire Capable              | No                   |
| Insulation                     | None                 |
| Lock to Mating Part            | Yes                  |
| Material - Metal               | Brass                |
| Material - Plating Mating      | Tin                  |
| Material - Plating Termination | Tin                  |
| Net Weight                     | 0.440/g              |
| Orientation                    | Straight             |
| Packaging Type                 | Reel                 |
| Plating min - Mating           | 0.813µm              |
| Plating min - Termination      | 0.813µm              |
| Polarized to Mating Part       | Yes                  |
| Tab Thickness                  | 0.51mm               |
| Tab Width                      | 4.75mm               |
| Temperature Range - Operating  | -40° to +105°C       |
| Termination Interface: Style   | Crimp or Compression |
| Wire Insulation Diameter       | 5.50mm max.          |
| Wire Size AWG                  | 18, 20               |

**Electrical**

|                   |      |
|-------------------|------|
| Voltage - Maximum | 300V |
|-------------------|------|

**Material Info**

**Reference - Drawing Numbers**

|                         |  |
|-------------------------|--|
| Packaging Specification | PK-35068-001-001                             |
| Product Specification   | PS-35189-002-001, PS-35189-004, PS-35817-001 |
| Sales Drawing           | SD-35068-9902                                |

**EU ELV**

**Not Relevant**

**EU RoHS**

**Compliant**

**REACH SVHC**

Not Contained Per - ED/71/2019 (16 July 2019)

**Halogen-Free**

**Status**

**Low-Halogen**

For more information, please visit [Contact US](#)

China ROHS

ELV

RoHS Phthalates

**China RoHS**

Green Image

Not Relevant

Not Contained

**Search Parts in this Series**

[35068](#) Series

**Use With**

[35189](#) , [35817](#) , [35961](#)

**Application Tooling | FAQ**

*Tooling specifications and manuals are found by selecting the products below. Crimp Height Specifications are then contained in the Application Tooling Specification document.*

**Global**

**Description**

**Product #**

|                     |                           |
|---------------------|---------------------------|
| Mini-Mac Applicator | <a href="#">638022000</a> |
| Rear Feed           |                           |

This document was generated on 09/19/2019

**PLEASE CHECK [WWW.MOLEX.COM](http://WWW.MOLEX.COM) FOR LATEST PART INFORMATION**