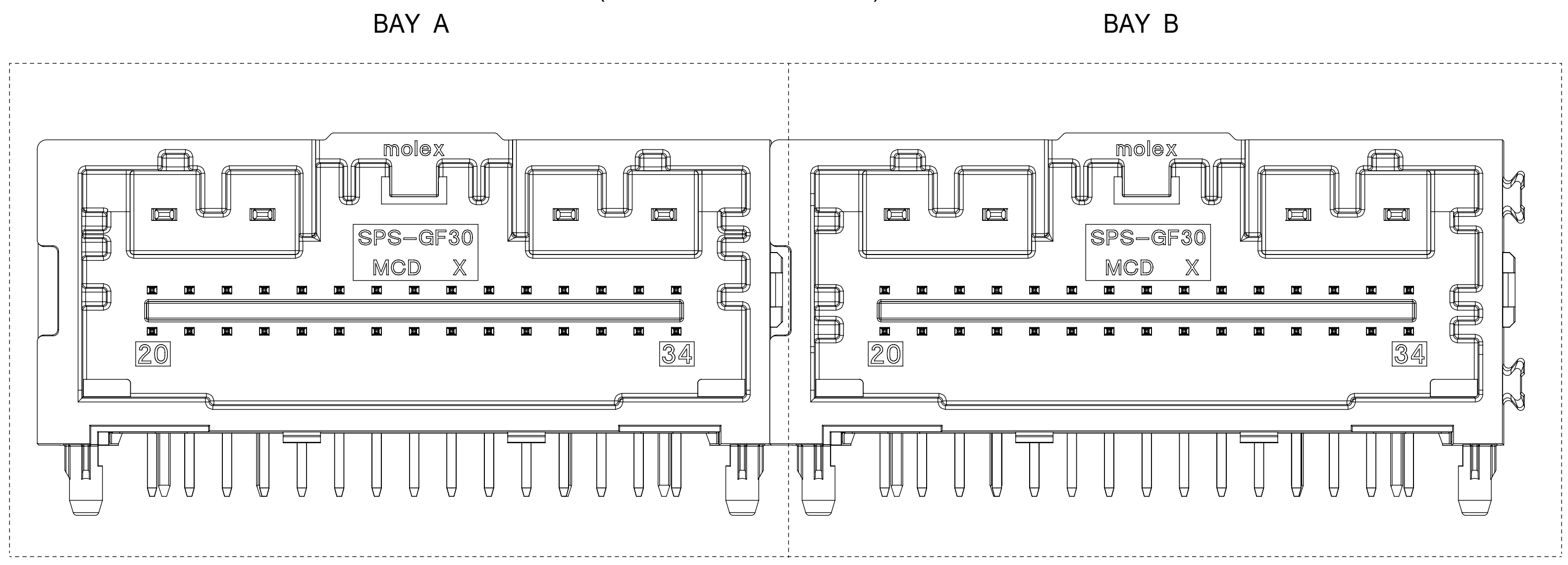


TABLE OF CONTENTS	
SHEET NO.	SHEET DESCRIPTION
1	NOTES, INSPECTION BALLOON NUMBER LOG, REV. COLUMN, 2-BAY MINI50 RIGHT ANGLE HEADER ASSEMBLY
2	DIMENSIONAL CHART FOR MULTIBAY CONFIGURATION DEPOLULATED HEADER PIN CONFIGURATION
3	DETAIL DIMENSION VIEW REFERENCE PCB LAYOUT

NOTES: VALID UNLESS OTHERWISE SPECIFIED

1. GENERAL:
- a. PRODUCT SPECIFICATION: PS-34959-001
 - b. APPLICATION SPECIFICATION: AS-34959-001
 - c. PACKAGING SPECIFICATION PER MOLEX DRAWING PK-31302-070 (TRAY)
 - d. PACKAGING SPECIFICATION PER MOLEX DRAWING PK-31301-688 (TUBE)
2. DESIGN: MATERIALS:
- a. SHROUD (PLASTIC HOUSING): RESIN - SPS 30%GF
 - b. PIN ALIGNMENT PLATE:
 - i. RESIN - SPS 30%GF
 - ii. COLOR - BLACK
 - c. 0.50mm BLADES:
 - i. BASE MATERIAL: C26800
 - ii. PLATING TYPE: AS NOTED
 - d. 1.20mm BLADES:
 - i. BASE MATERIAL: C26800
 - ii. PLATING TYPE: AS NOTED
3. PLATING REQUIREMENTS:
- a. UNDERPLATING - OVERALL NICKEL
 - b. OVERPLATING - OVERALL REFLOW TIN
4. FOR DESCRIPTION OF INDIVIDUAL BAYS, REFER TO THE FOLLOWING SINGLE BAY DRAWINGS:
- a. PART NUMBER: 34961-03XX, REFER TO SD-34961-030
 - b. PART NUMBER: 34961-13XX, REFER TO SD-34961-130

2-BAY MINI50 RIGHT ANGLE HEADER ASSEMBLY
(P/N 34960-0200 SHOWN)



DIN 16901	CODE LETTER	NOMINAL DIMENSION RANGE												
		OVER UP TO	0	1	3	6	10	15	22	30	40	53	70	90
PRECISION ENGINEERING	A	±0.10	±0.12	±0.14	±0.16	±0.20	±0.22	±0.24	±0.26	±0.28	±0.31	±0.35	±0.40	±0.50
	B	±0.05	±0.06	±0.07	±0.08	±0.10	±0.12	±0.14	±0.16	±0.18	±0.21	±0.25	±0.30	±0.40

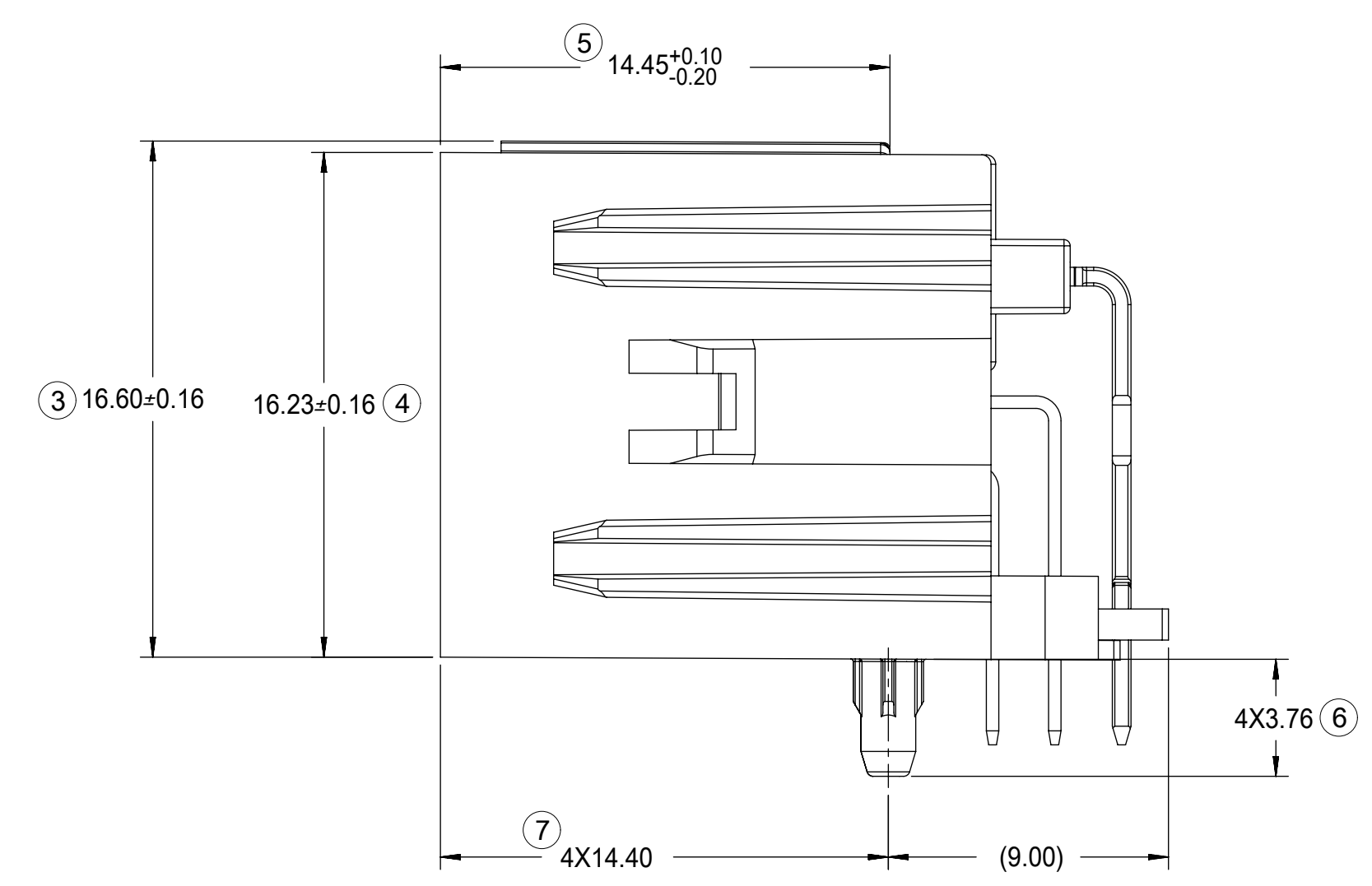
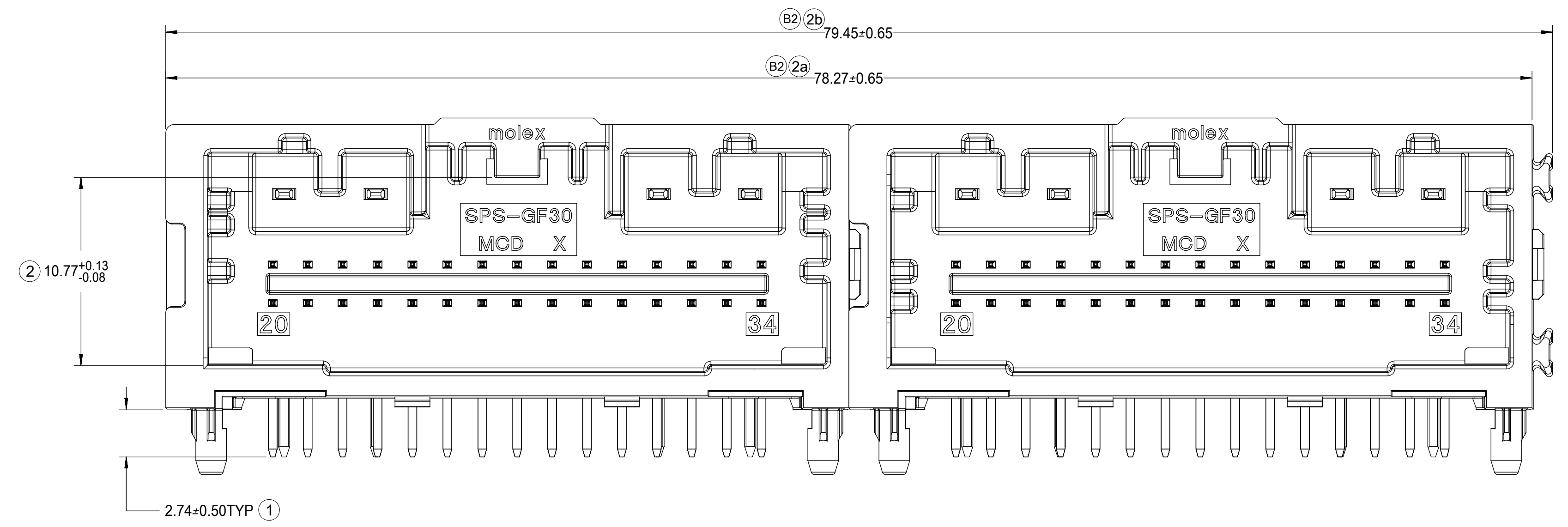
A: FOR NON-MOLD RELATED DIMENSIONS (ACROSS PARTING LINE)
B: FOR MOLD RELATED DIMENSIONS (WITHIN MOLD COMPONENTS)

INSPECTION BALLOON NUMBER LOG	
PER DRAWING REVISION:	B2
LAST BALLOON NUMBER USED:	7
ADDED BALLOON NUMBERS:	2a 2b
REMOVED BALLOON NUMBERS:	8 9 10 11

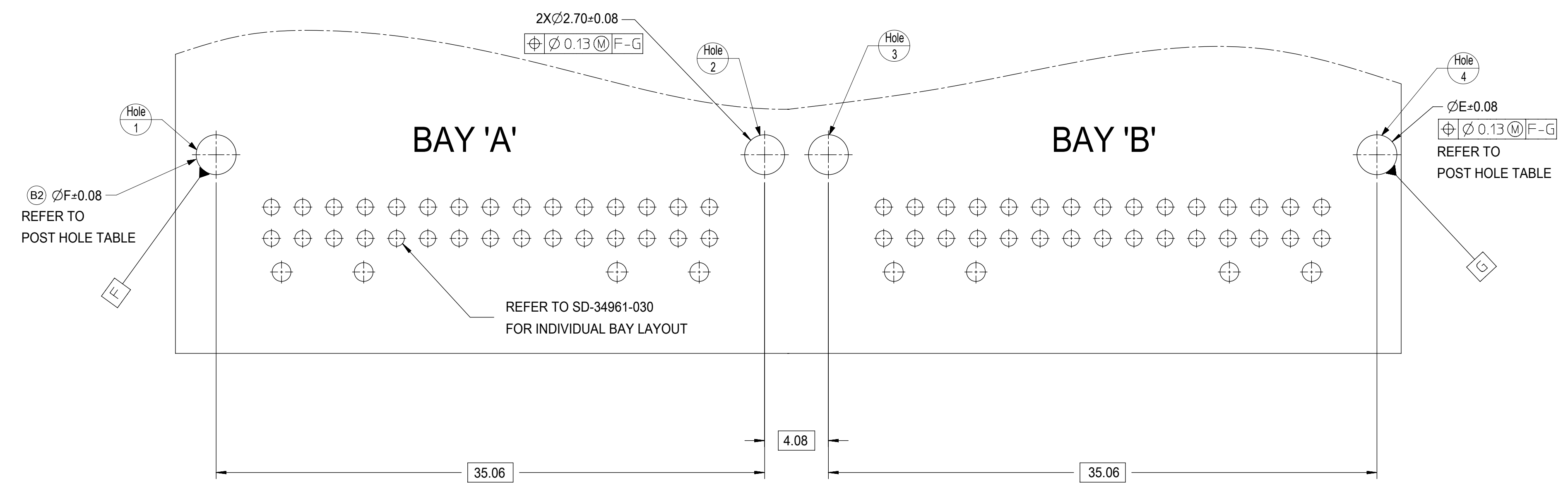
B2	1. OBSOLETE PART NUMBER: 34960-0210; 34960-0220; 34960-0240; 34960-0250 2. ADDED NEW DIMENSION ITEM 2a & 2b IN SHEET 3 3. ADDED SHEET 2 TO SHOW DEPOLULATED HEADER PIN CONFIGURATION AND DIMENSIONAL CHART FOR MULTIBAY CONFIGURATION 4. REMOVED BALLOON NUMBER: 8,9,10,11 IN SHEET 3 5. ADDED HOLE DIMENSION F IN PCB LAYOUT IN SHEET 3	640173
B1	ADDED NEW PART NUMBER: 34960-0271 IN THE CHART ON SHEET 1	623488
B	1. OBSOLETE PART NO 349600230 2. ADDED NEW NUMBER: 34960-0261 IN THE CHART ON SHEET 1	618118
A10	ADDED NEW P/N: 34961-7261 IN THE BOM ON SHEET 1.	611155
A9	ADDED NEW P/N: 34960-0211 \ 34960-0221 \ 34960-0231 34960-0241\34960-0251 IN THE BOM ON SHEET 1. ADDED PRODUCT STATUS IN THE BOM ON SHEET 1.	606688
REV	REV DESCRIPTION	ECN SAP NO.

FUNCTIONAL SYMBOLS $F_A = 0$ $F_C = 0$ $F_P = 0$	THIS DRAWING CONTAINS INFORMATION THAT IS PROPRIETARY TO MOLEX ELECTRONIC TECHNOLOGIES, LLC AND SHOULD NOT BE USED WITHOUT WRITTEN PERMISSION	DIMENSION UNITS: mm	SCALE: 5:1	CURRENT REV DESC:	
	GENERAL TOLERANCES (UNLESS SPECIFIED)		EC NO: 640173		
	ANGULAR TOL ± °		DRWN: SWU31 2020/06/18		
	4 PLACES ±		CHK'D: CDZHANG 2020/10/21		
DIVISIONAL SYMBOLS 3 PLACES ± 2 PLACES ± 1 PLACE ± 0 PLACES ±	DRAFT WHERE APPLICABLE MUST REMAIN WITHIN DIMENSIONS		THIRD ANGLE PROJECTION		PRODUCT CUSTOMER DRAWING DOCUMENT NUMBER: SD-34960-0200 DOC TYPE: PSD DOC PART: 001 REVISION: B2
	D-DRAWING		S-SERIES		
	D-DRAWING		S-SERIES		
	D-DRAWING		S-SERIES		
D-DRAWING		S-SERIES		GENERAL MARKET	
D-DRAWING		S-SERIES		SHEET NUMBER: 1 OF 3	

TABLE OF CONTENTS	
SHEET NO.	SHEET DESCRIPTION
3	DETAIL DIMENSION VIEW REFERENCE PCB LAYOUT



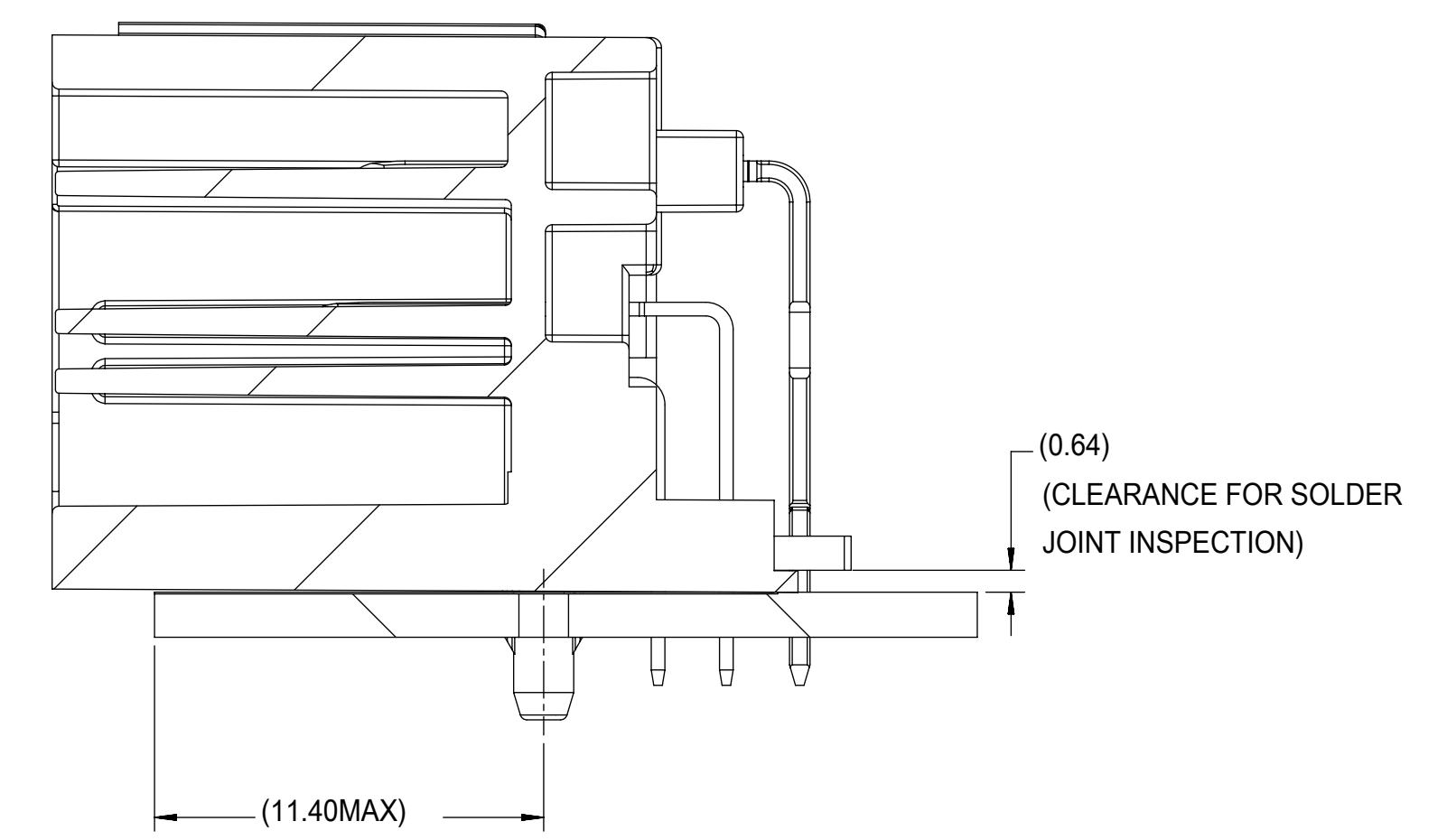
RECOMMENDED PCB LAYOUT



Partial1
SCALE 5:1

POST HOLE TABLE:

FOR DIM	E	F
PRESS FIT:	2.30	2.30
DROP IN:	2.85	2.65



FLUSH MOUNTING
HEADER-TO-PCB

FUNCTIONAL SYMBOLS FA = 0 FE = 0 FP = 0 DIVISIONAL SYMBOLS	THIS DRAWING CONTAINS INFORMATION THAT IS PROPRIETARY TO MOLEX ELECTRONIC TECHNOLOGIES, LLC AND SHOULD NOT BE USED WITHOUT WRITTEN PERMISSION		DIMENSION UNITS: mm SCALE: 1:1		CURRENT REV DESC:		
	GENERAL TOLERANCES (UNLESS SPECIFIED) ANGULAR TOL ± °		EC NO: 640173 DRWN: SWU31 2020/06/18 CHK'D: CDZHANG 2020/10/21 APPR: CDZHANG 2020/10/21		INITIAL REVISION: DRWN: JFISCHER01 2014/03/25 APPR: RBAUMAN 2014/03/31		
DRAFT WHERE APPLICABLE MUST REMAIN WITHIN DIMENSIONS		THIRD ANGLE PROJECTION		DRAWING: D-SIZE SERIES: 34960		MATERIAL NUMBER: SD-34960-0200 CUSTOMER: GENERAL MARKET	
DOCUMENT STATUS P1 RELEASE DATE 2020/10/21 04:39:29		PRODUCT CUSTOMER DRAWING 34 & 38 CKT MINI50 2-BAY R/A HEADER ASSEMBLY SALES DRAWING		DOCUMENT NUMBER: SD-34960-0200 DOC TYPE: PSD DOC PART: 001 REVISION: B2		SHEET NUMBER: 3 OF 3	