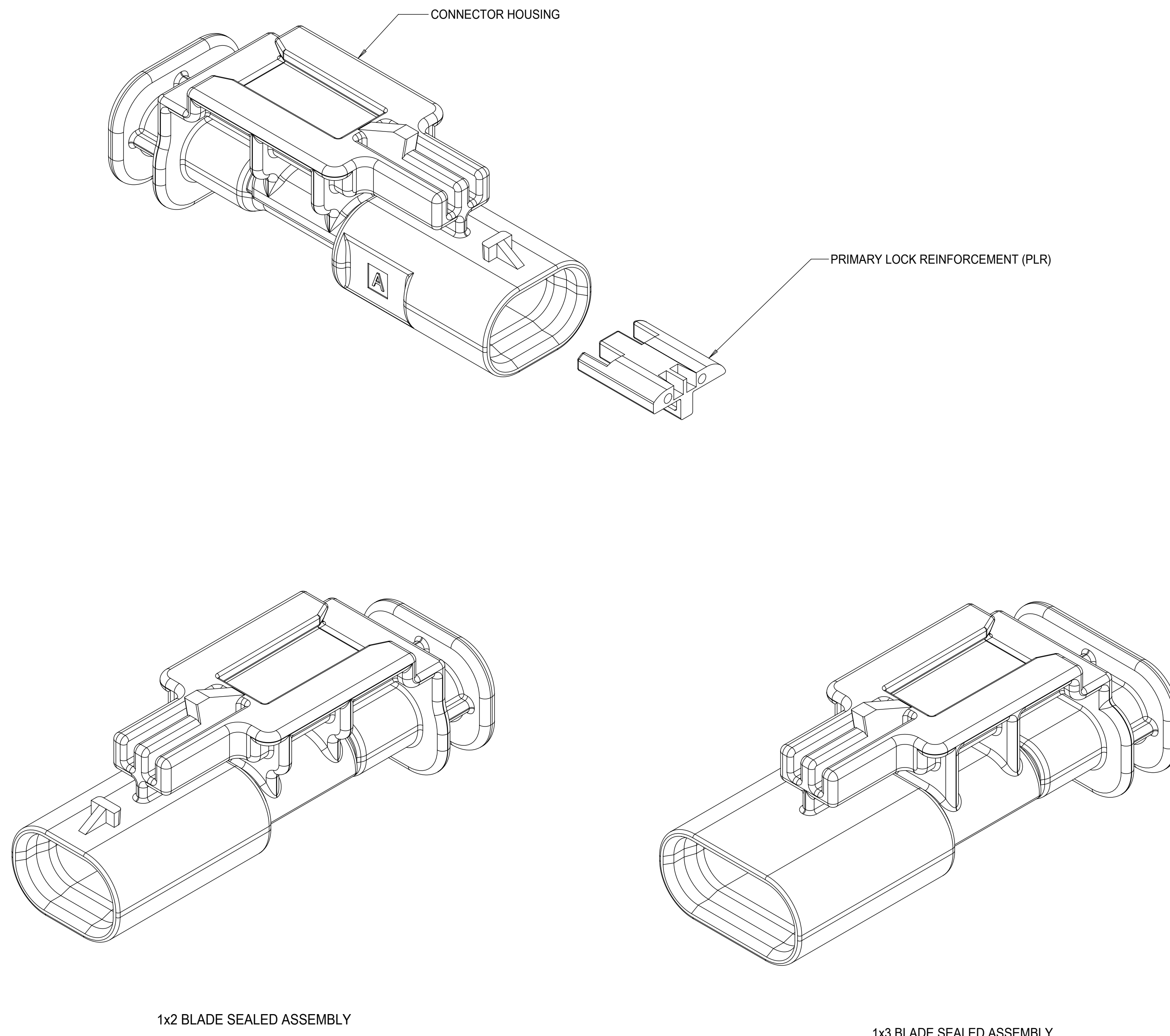


TABLE OF CONTENTS

SHEET NO.	SHEET DESCRIPTION
1	NOTES
2	1x2 BLADE SEALED ASSEMBLY KEYING CONFIGURATIONS
3	1x3 BLADE SEALED ASSEMBLY KEYING CONFIGURATIONS
4	CLIP-SLOT CONFIGURATIONS
5	BLADE SEALED ASSEMBLY
6	CONNECTION SYSTEM PACKAGING
7	WIRE DRESS COVER INTERFACE OPTIONS
8	1x2 BLADE SEALED ASSEMBLY BOM INTERFACE OPTION 1
9	1x2 BLADE SEALED ASSEMBLY BOM INTERFACE OPTION 2
10	1x3 BLADE SEALED ASSEMBLY BOM INTERFACE OPTION 1
11	1x3 BLADE SEALED ASSEMBLY BOM INTERFACE OPTION 2



NOTES: VALID UNLESS OTHERWISE SPECIFIED

1. GENERAL:

- a. APPLICATION SPECIFICATION SEE: AS-34900-0001
CONTAINS: PRODUCT INTRODUCTION, PRODUCT SUMMARY, CONNECTOR ASSEMBLY, PACKAGING INFORMATION, CONNECTOR MATING, SERVICE INSTRUCTIONS, ELECTRICAL CONTINUITY CHECKING, CRIMPING, AND TROUBLESHOOTING.
- b. PRODUCT SPECIFICATION SEE: PS-34900-0001
CONTAINS: PRODUCT INTRODUCTION, PRODUCT SUMMARY, RATINGS (CURRENT, TEMPERATURE, SEALING, AND FLAMMABILITY), AND PRODUCT VALIDATION.
- c. PACKAGING SPECIFICATION PER MOLEX DRAWING: PK-31301-898
- d. PARTS MUST BE IN COMPLIANCE TO MOLEX CHEMICAL SUBSTANCES FOR PRODUCTS AND PACKAGING SPECIFICATION: ES-40000-5016
- e. DATA MUST BE SUBMITTED UNDER THE MOLEX PART NUMBER TO IMDS (COMPANY ID#13255)

2. DESIGN - MATERIALS:

- a. SEE BOM TABLE

3. DESIGN - GEOMETRY:

- a. THIS IS A 100% CAD GENERATED PART. THE CAD MATHEMATICAL DATA IS THE MASTER FOR THIS PART. FOR DIMENSIONAL OR ANY INFORMATION NOT SHOWN ON THIS DRAWING, ANALYZE THE CAD MODEL.
- b. GEOMETRIC DIMENSIONS AND TOLERANCES PER ASME Y14.5M - 1994
- c. EDGES AND UNDIMENSIONED DETAILS PER ISO13715
- d. CORNERS SHOWN AS SHARP TO BE R 0.2 MAX.
- e. LETTERING SHALL BE 0.15 MAX RAISED IN 0.25 MAX RECESS PAD. THIS INCLUDES RECYCLING CODE, CAVITY ID, VENDOR IDENTIFICATION,
- f. VISUAL DEFECTS SHALL MEET COSMETIC STANDARD PS-45499-002 (Class B)
- g. LASER MARKING:
 - 1. PART NUMBER
 - 2. DAY OF THE YEAR
 - 3. SHIFT
 - 4. YEAR

A16	CHANGED PNs TO OBSOLETE STATUS
A15	- NX-REMASTERING FROM MODEL MANAGER - 1x2 KEY C MOVED TO SALEABLE - 1X3 WDC INTERFACE 2 PART NUMBERS UPDATED TO MATCH E-DRAWING
A14	CORRECTED CHARTED DIMENSION 3 FOR 1X3 11MM CLIPSLOT
A13	1x3 KEY A&B SALEABLE (NON 40G)
A12	1X2 KEYS A&B W/ WDC SALEABLE
A11	CORRECTED REVISION LOG
A10	1X2,1X3 WIRE DRESS FEATURES OK TO TOOL
A9	1X2,1X3 PART # STATUS UPDATED
A8	1X2 40G CLIP-SLOT OK TO TOOL
A7	1X2,1X3 PART # UPDATED TO "TOOLED BUT NOT VALIDATED"
A6	ADDED 40G CLIP-SLOT PART NUMBERS
A5	BOM CORRECTIONS AND UPDATES
A4	BOM CORRECTIONS AND UPDATES
A3	1x2, 1x3 NON-SIR PART# OK TO TOOL
A2	ADDED 1x3 11mm CLIP-SLOT PART #
A	ADDED BLACK PART# AND MINOR BOM UPDATES
6	ADDED CLIP SLOT CONFIGURATIONS
5	1X3 BOM UPDATED
4	1X3 INLINE ASSY VIEWS ADDED
3	MINOR BOM CORRECTIONS
2	UPDATED PACKAGING DIMENSIONS
1	INITIAL RELEASE
REV	DESCRIPTION

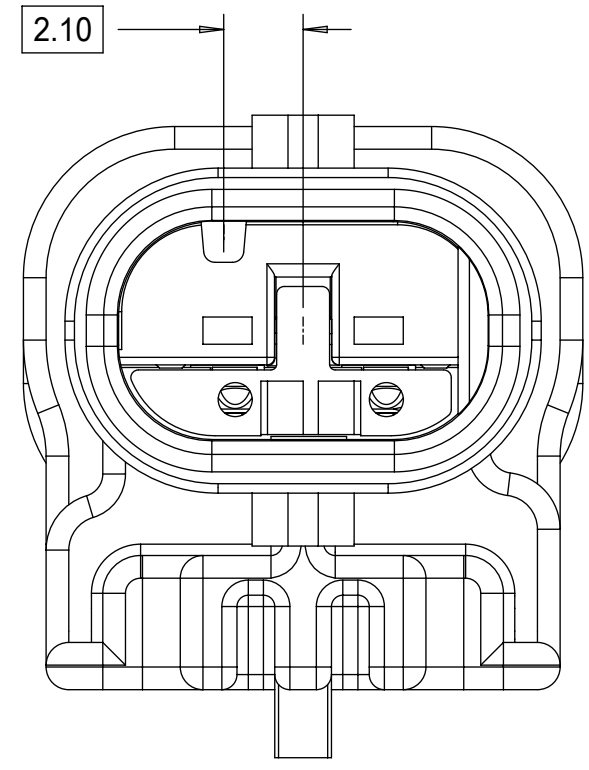
INSPECTION NUMBER LOG
LAST NUMBER USED:
ADDED:
REMOVED:

QUALITY SYMBOLS	THIS DRAWING CONTAINS INFORMATION THAT IS PROPRIETARY TO MOLEX ELECTRONIC TECHNOLOGIES, LLC AND SHOULD NOT BE USED WITHOUT WRITTEN PERMISSION		GENERAL TOLERANCES (UNLESS SPECIFIED)		DIMENSION UNITS	SCALE
= 0	2019/07/15	2020/06/23	mm	4:1	DRWN BY	DATE
= 0	2020/06/23	2020/06/23	ANGULAR TOL ± 3.0 °	SKRAJENDRANA	2013/11/06	
= 0			4 PLACES ±	CHKD BY	DATE	
= 0			3 PLACES ±	APPR BY	DATE	
= 0			2 PLACES ± 0.1	DRAWING SIZE	THIRD ANGLE PROJECTION	
= 0			1 PLACE ± 0.2	D		
= 0			0 PLACES ± 0.5	SERIES: 34899 MATERIAL NUMBER: SEE BOM CUSTOMER: GENERAL MARKET		
= 0			DRAFT WHERE APPLICABLE MUST REMAIN WITHIN DIMENSIONS	DOCUMENT NUMBER: SD-34899-2001 DOC TYPE: PSD DOC PART: 001 SHEET NUMBER: 1 OF 11		
= 0	A16					

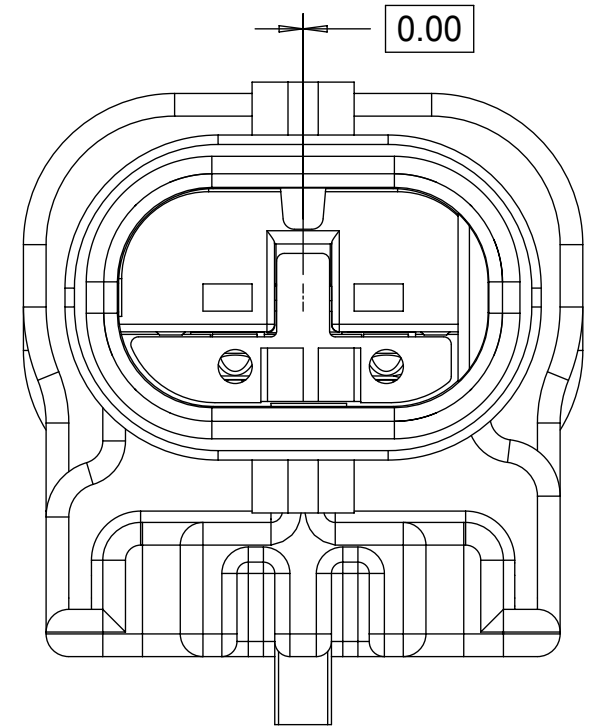
1x2 BLADE SEALED ASSEMBLY

1x3 BLADE SEALED ASSEMBLY

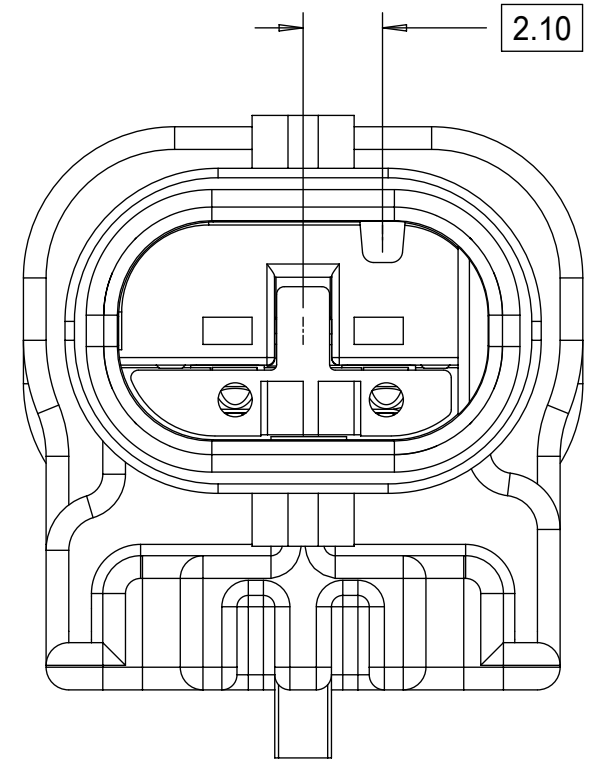
1x2 BLADE SEALED ASSEMBLY KEYING CONFIGURATIONS. FOR PART NUMBERS REFER TO BOM SHEET.



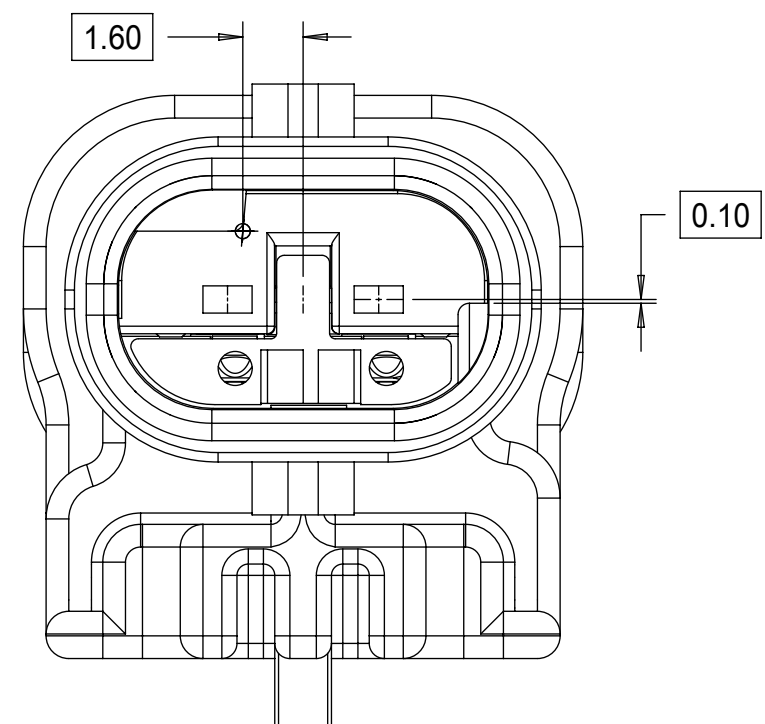
KEYING OPTION A



KEYING OPTION B



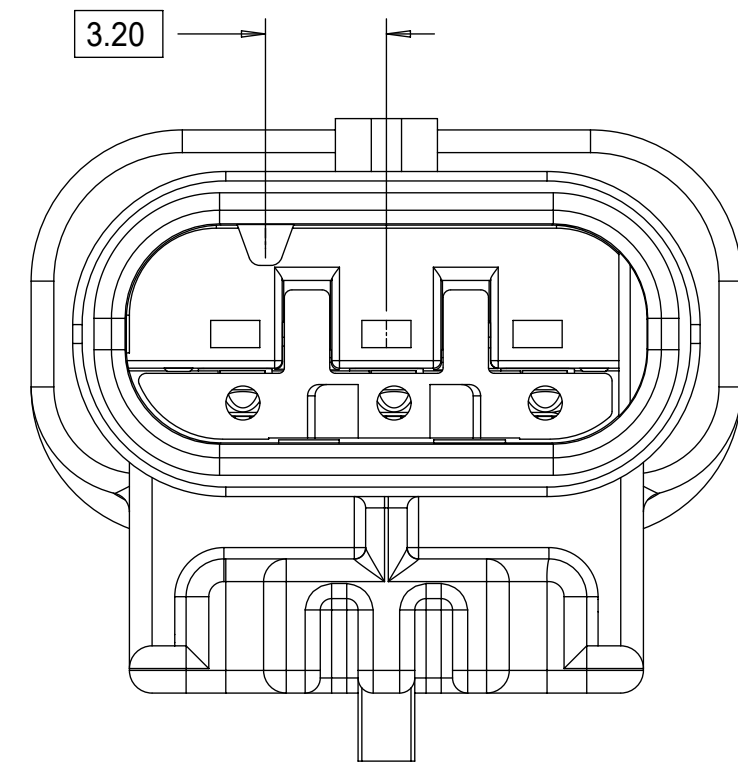
KEYING OPTION C



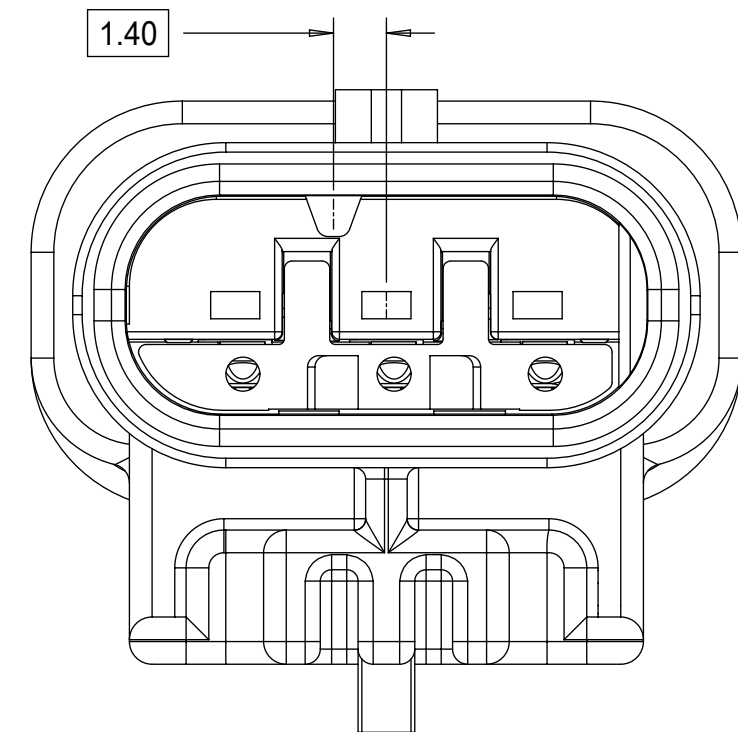
KEYING OPTION E

QUALITY SYMBOLS □ = 0 ▽ = 0 ▽ = 0 ▽ = 0 ▽ = 0 ▽ = 0 ▽ = 0 ▽ = 0 ▽ = 0 ▽ = 0 ▽ = 0	THIS DRAWING CONTAINS INFORMATION THAT IS PROPRIETARY TO MOLEX ELECTRONIC TECHNOLOGIES, LLC AND SHOULD NOT BE USED WITHOUT WRITTEN PERMISSION										
	2019/07/15	GENERAL TOLERANCES (UNLESS SPECIFIED)			DIMENSION UNITS	SCALE					
	2020/06/23	ANGULAR TOL ± 3.0 °			mm	5:1					
	2020/06/23	4 PLACES ±			DRWN BY	DATE	1.2MM 1X2, 1X3 BLADE SEALED ASSEMBLY CABLE SEAL 639764 - REMOVED CPA3 AND REPLACED WITH CPA2 AGAIN				
	3 PLACES ±			SKRAJENDRANA	2013/11/06						
	2 PLACES ± 0.1			CHKD BY	DATE	PRODUCT CUSTOMER DRAWING					
	1 PLACE ± 0.2			APPR BY	DATE						
	0 PLACES ± 0.5			DRAWING SIZE		THIRD ANGLE PROJECTION	SERIES	MATERIAL NUMBER	CUSTOMER		
	DRAFT WHERE APPLICABLE MUST REMAIN WITHIN DIMENSIONS			D			34899	SEE BOM	GENERAL MARKET		
	A16			DOCUMENT NUMBER		DOC TYPE	DOC PART	SHEET NUMBER			
			SD-34899-2001		PSD	001	2 OF 11				

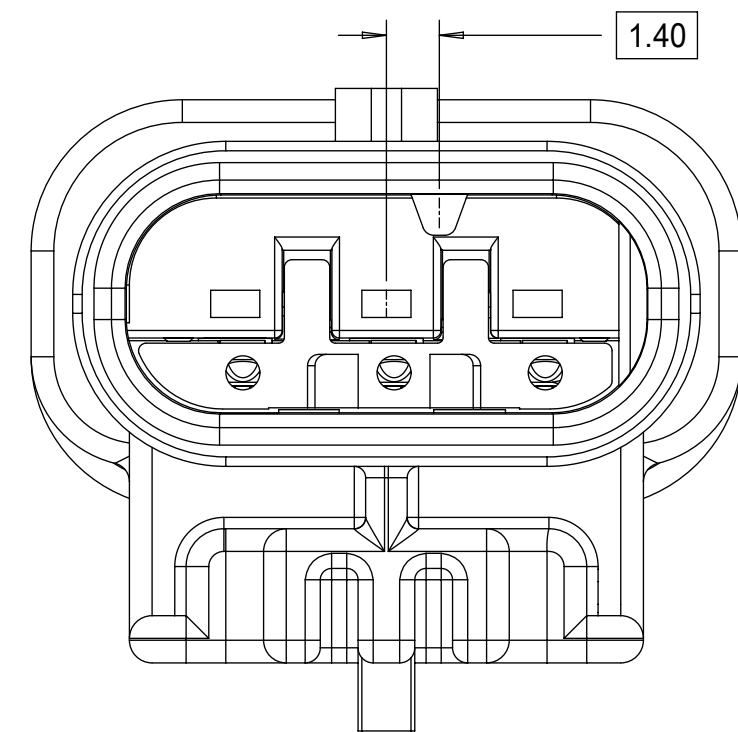
1x3 BLADE SEALED ASSEMBLY KEYING CONFIGURATIONS. FOR PART NUMBERS REFER TO BOM SHEET.



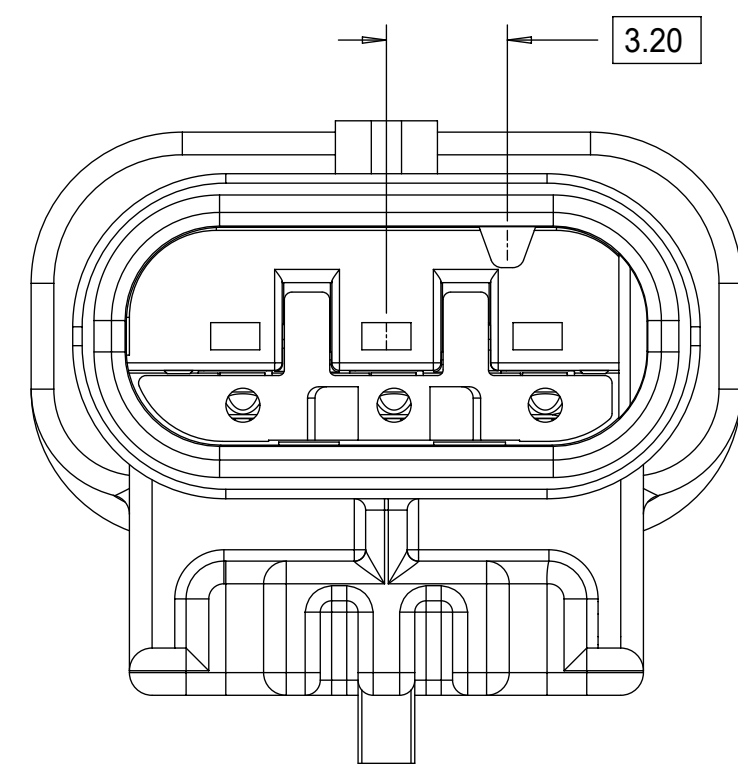
KEYING OPTION A



KEYING OPTION B



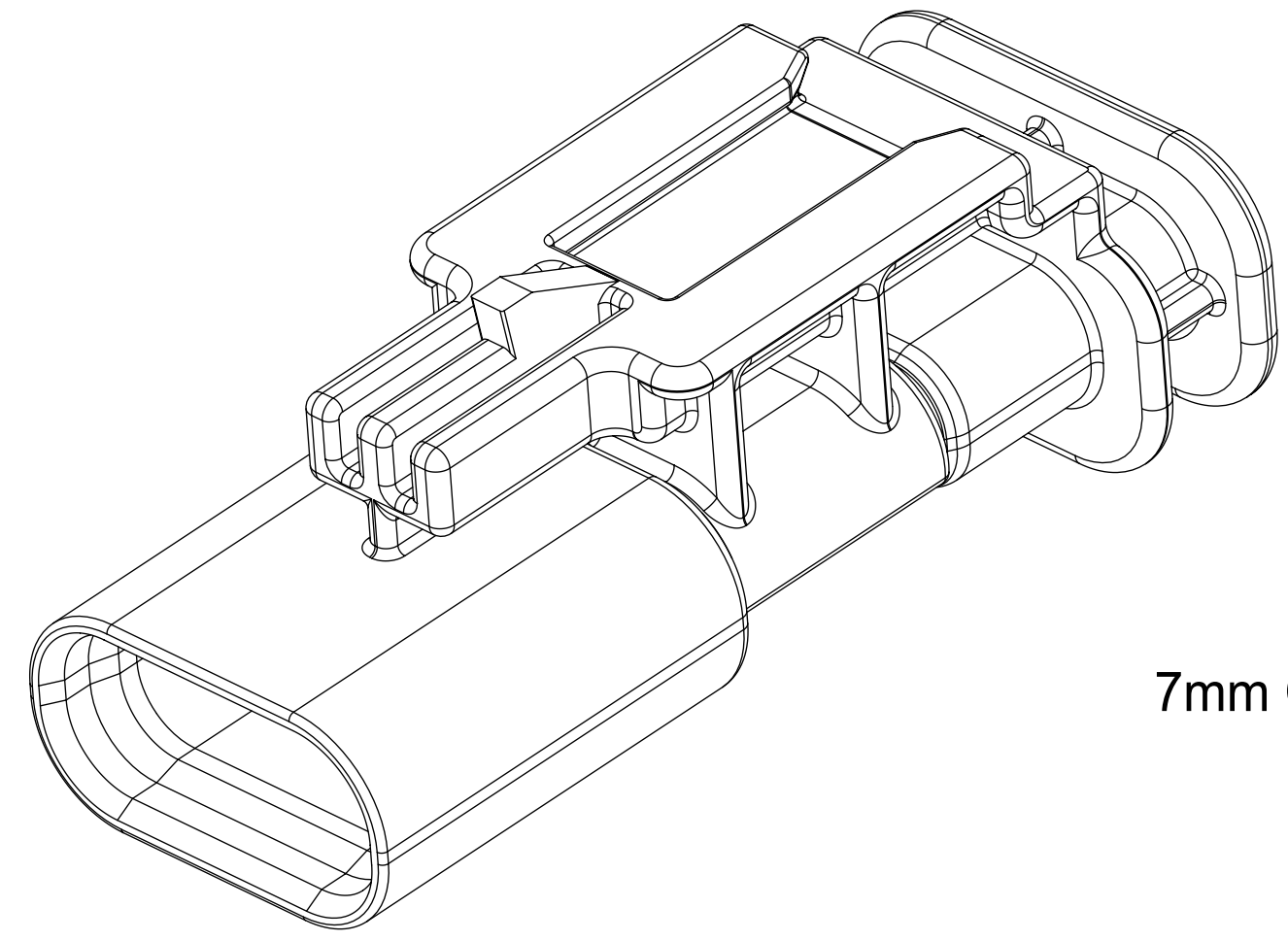
KEYING OPTION C



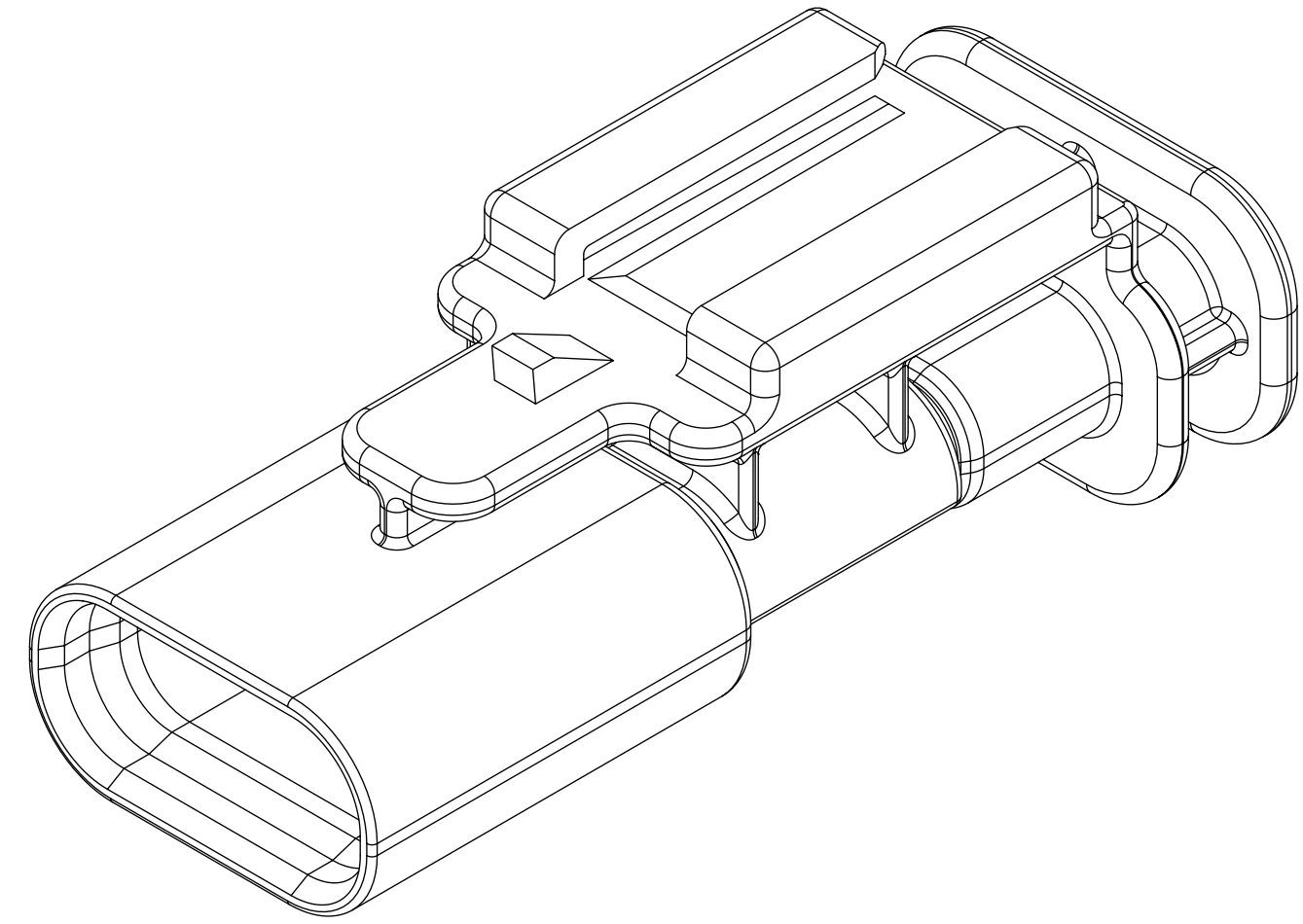
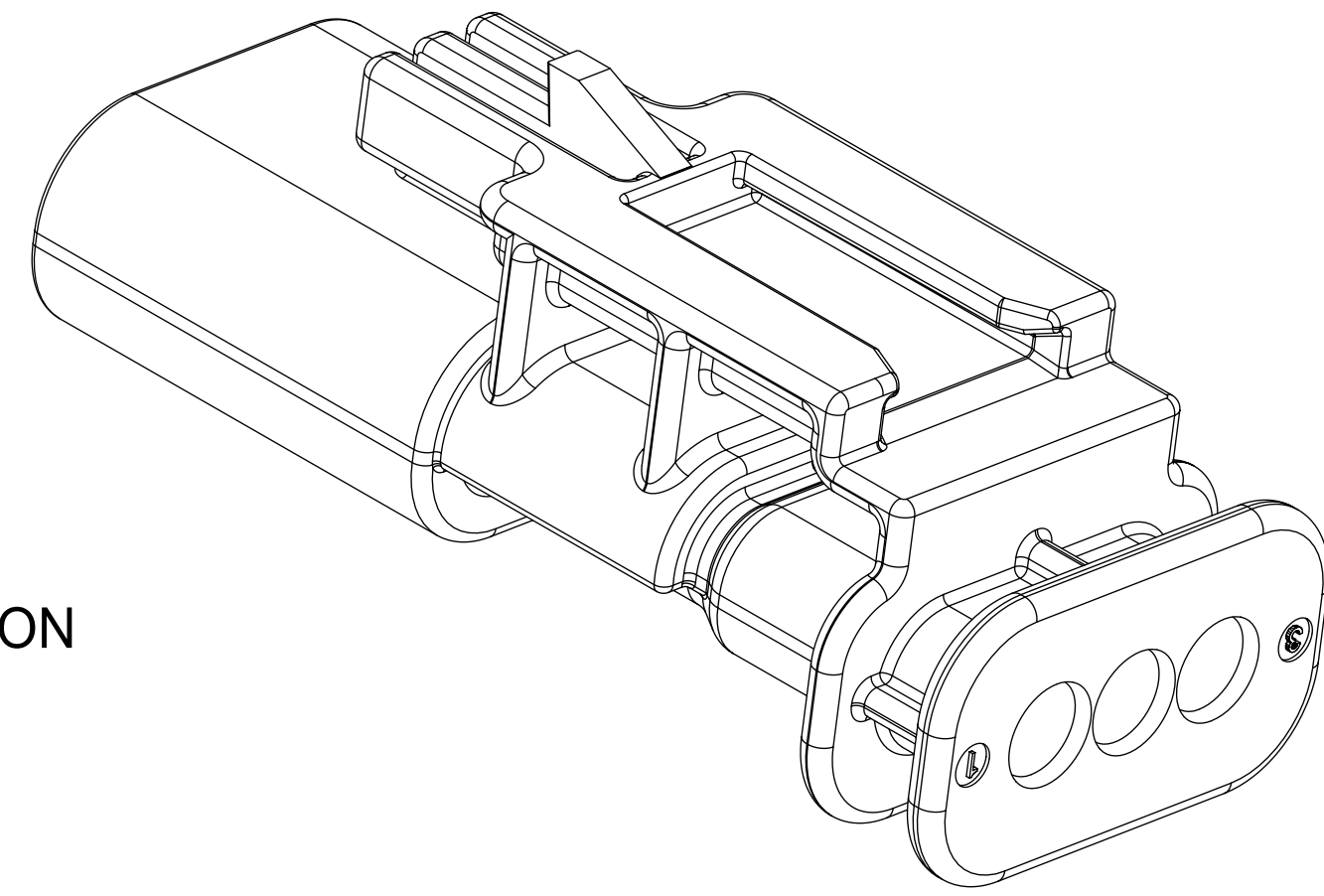
KEYING OPTION D

QUALITY SYMBOLS ▽ = 0 ▽ = 0 ▽ = 0 ▽ = 0 ▽ = 0 ▽ = 0 ▽ = 0 ▽ = 0 ▽ = 0 ▽ = 0		THIS DRAWING CONTAINS INFORMATION THAT IS PROPRIETARY TO MOLEX ELECTRONIC TECHNOLOGIES, LLC AND SHOULD NOT BE USED WITHOUT WRITTEN PERMISSION		GENERAL TOLERANCES (UNLESS SPECIFIED) DIMENSION UNITS: mm SCALE: 5:1 ANGULAR TOL ± 3.0 ° 4 PLACES ± 3 PLACES ± 2 PLACES ± 0.1 1 PLACE ± 0.2 0 PLACES ± 0.5 DRAFT WHERE APPLICABLE MUST REMAIN WITHIN DIMENSIONS		DRWN BY: SKRAJENDRANA DATE: 2013/11/06 CHKD BY: DATE: APPR BY: DATE: DRAWING SIZE: D THIRD ANGLE PROJECTION		molex 1.2MM 1X2, 1X3 BLADE SEALED ASSEMBLY CABLE SEAL 639764 - REMOVED CPA3 AND REPLACED WITH CPA2 AGAIN PRODUCT CUSTOMER DRAWING		SERIES: 34899 MATERIAL NUMBER: SEE BOM CUSTOMER: GENERAL MARKET	
EC NO: 639764 DRWN: GELLIOTTO1 CHKD: KBORUSZEWSKI REV APPR: KBORUSZEWSKI		2019/07/15 2020/06/23 2020/06/23		A16		DOCUMENT NUMBER: SD-34899-2001 DOC TYPE: PSD DOC PART: 001 SHEET NUMBER: 3 OF 11		RELEASE STATUS: P1 RELEASE DATE: 2020/06/23 16:54:25		19 18 17 16 15 14 13 12 11 10 9 8 7 6 5 4 3 2 1	

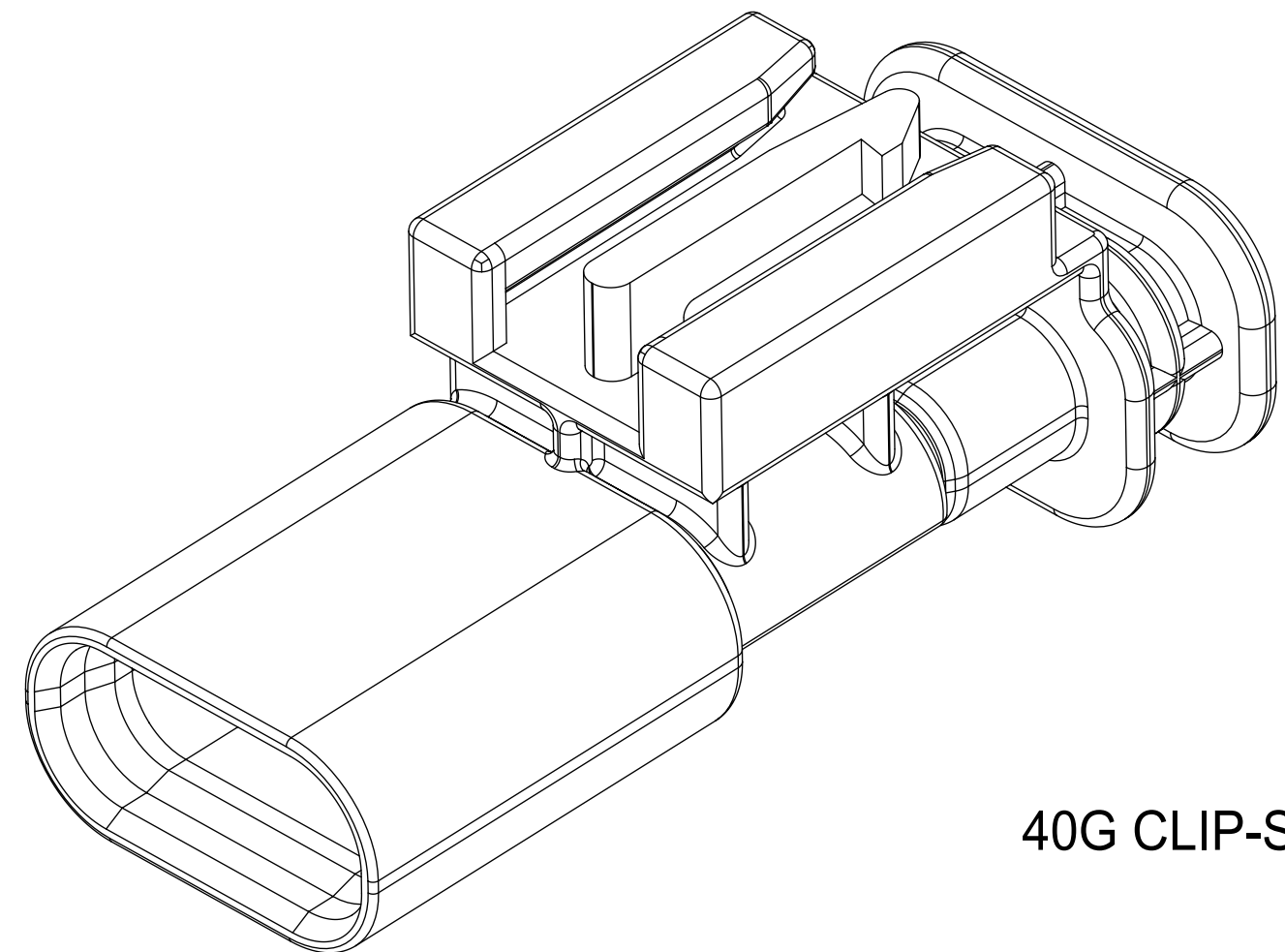
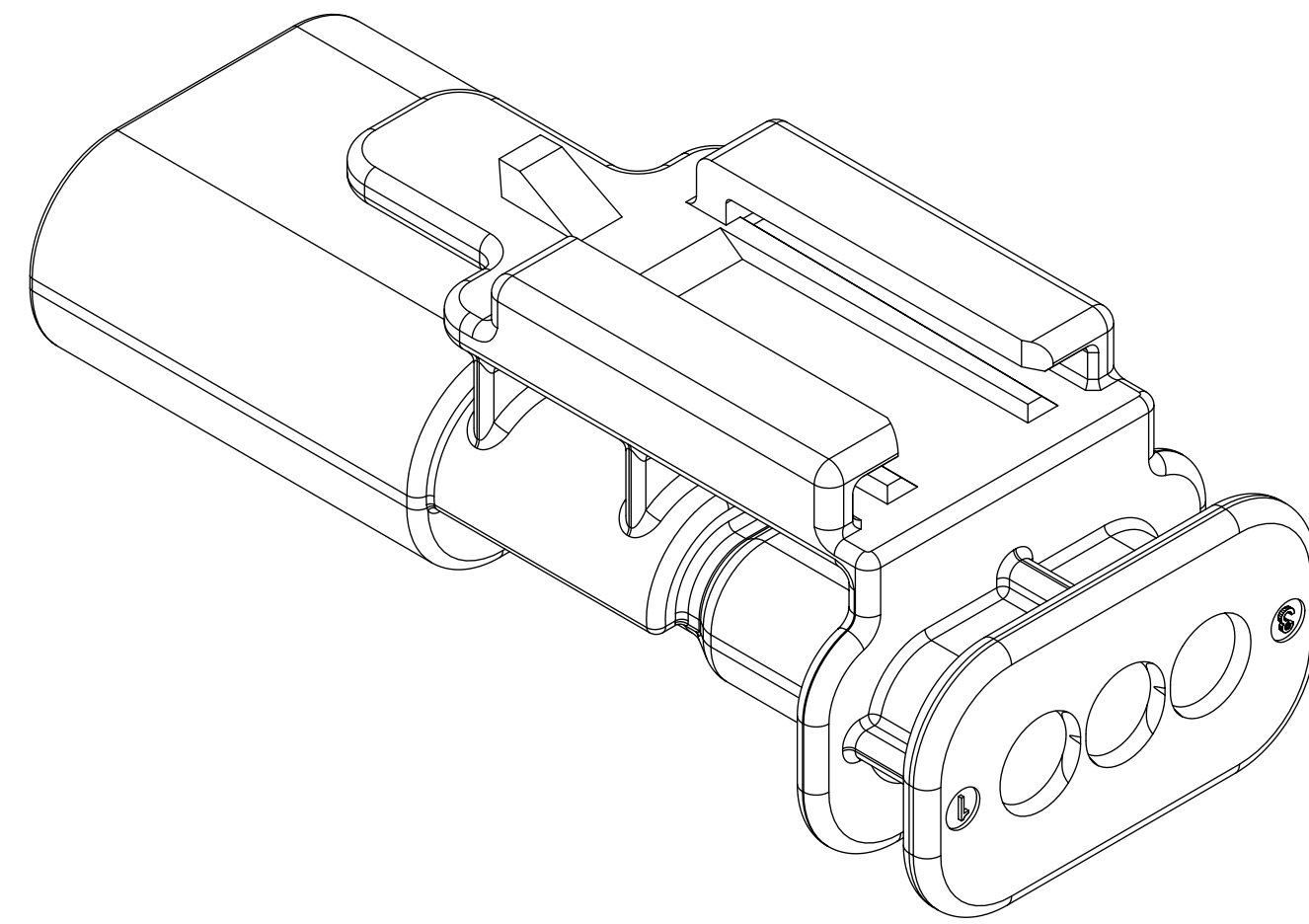
CLIP-SLOT CONFIGURATIONS. FOR PART NUMBERS REFER TO BOM SHEET.



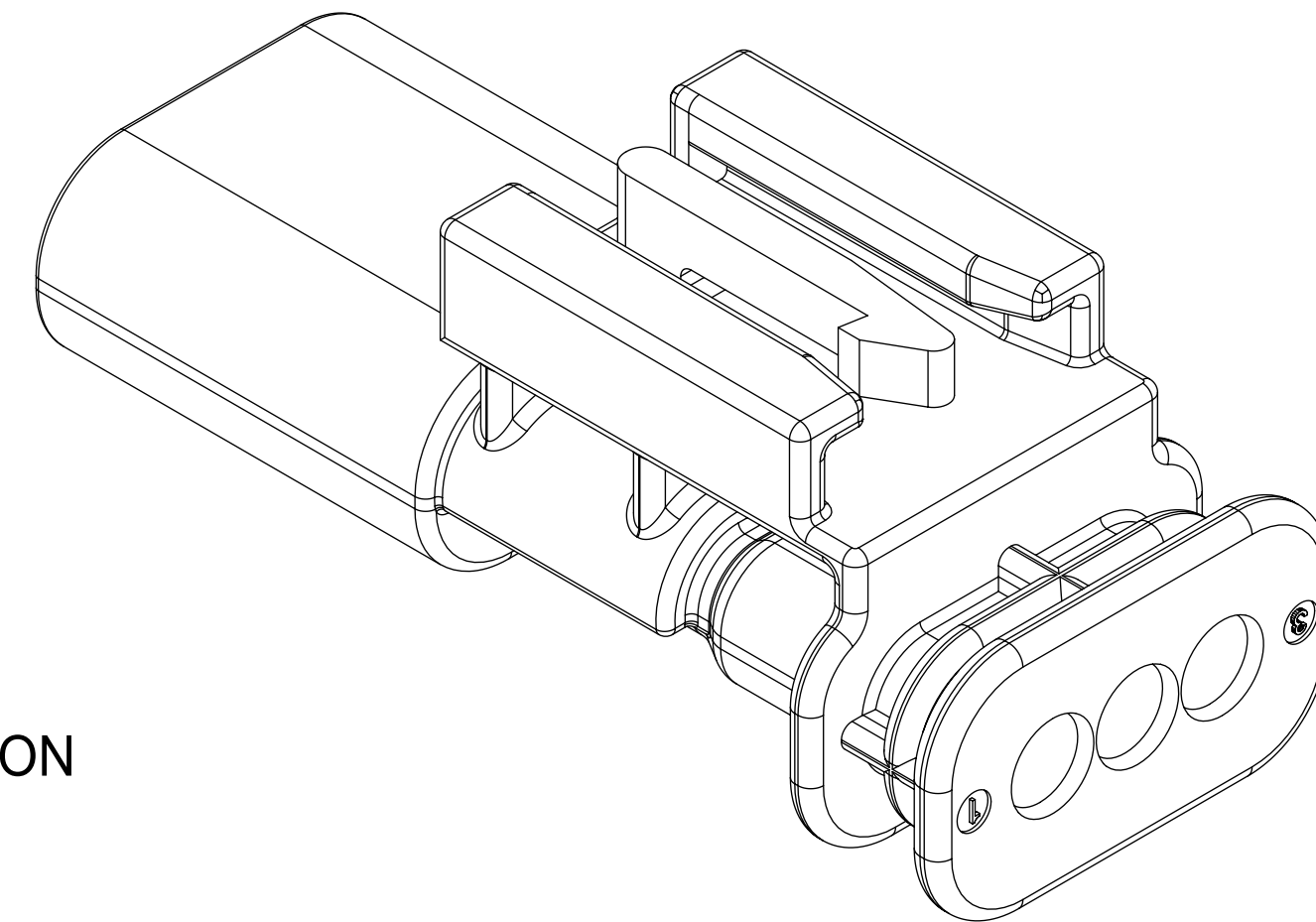
7mm CLIP-SLOT OPTION



11mm CLIP-SLOT OPTION

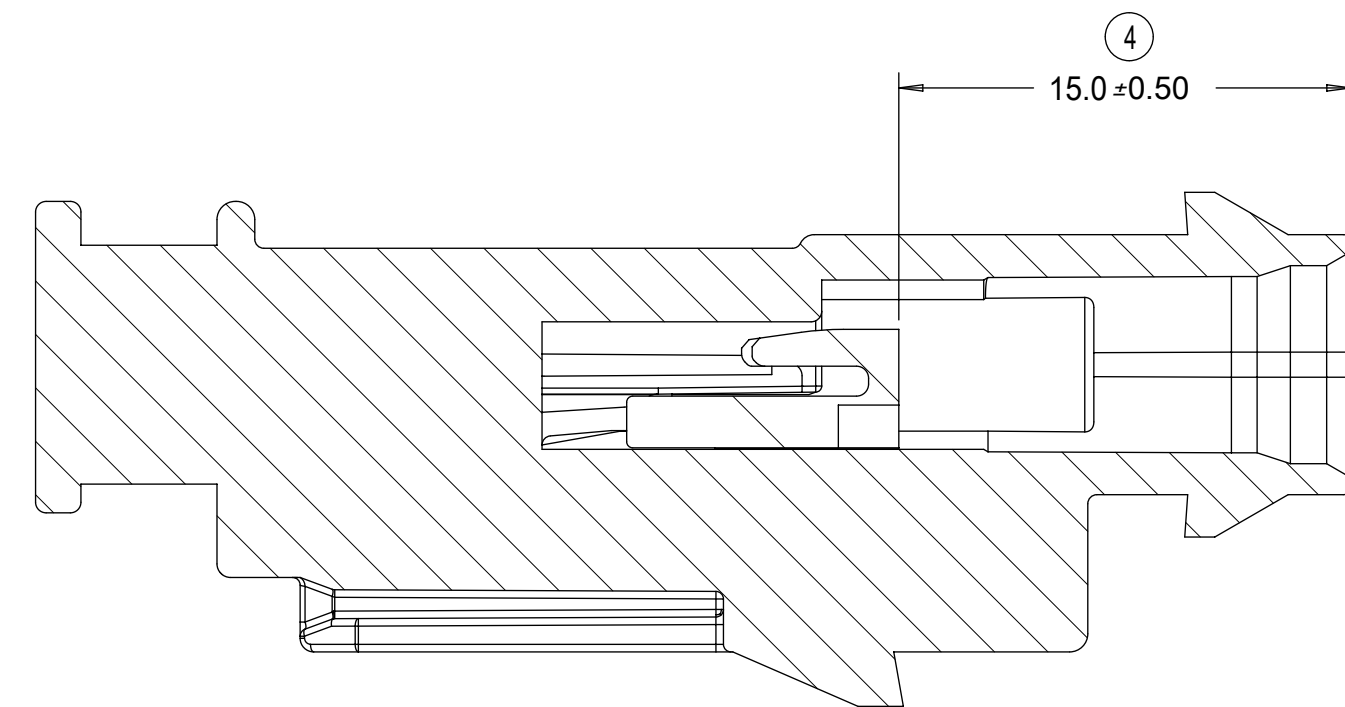
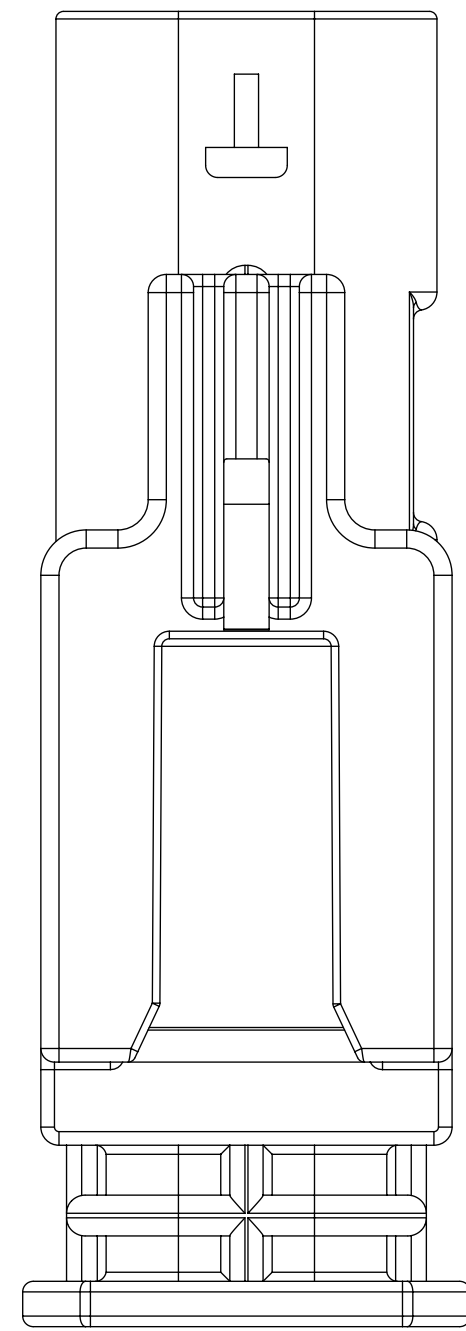
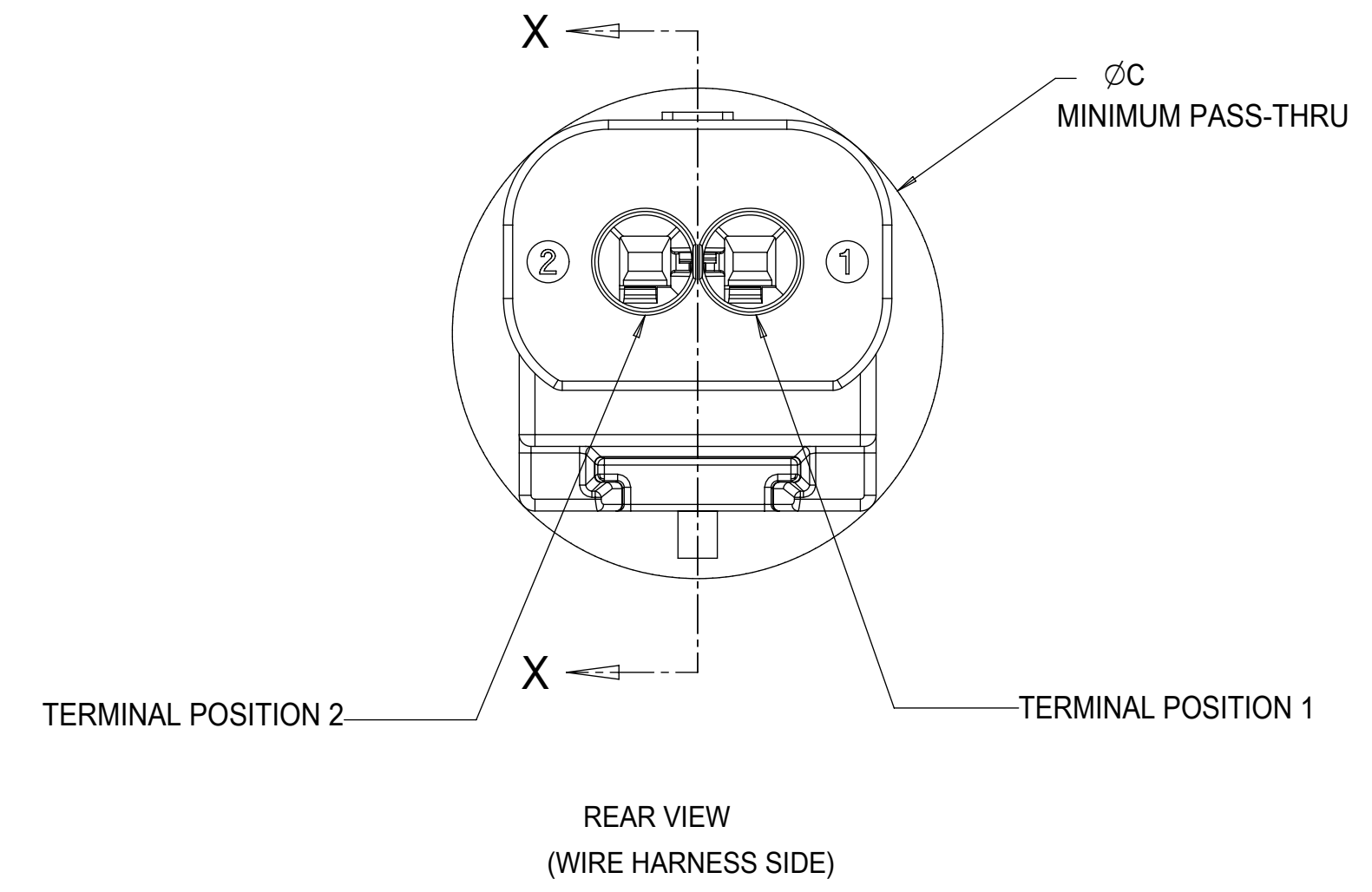
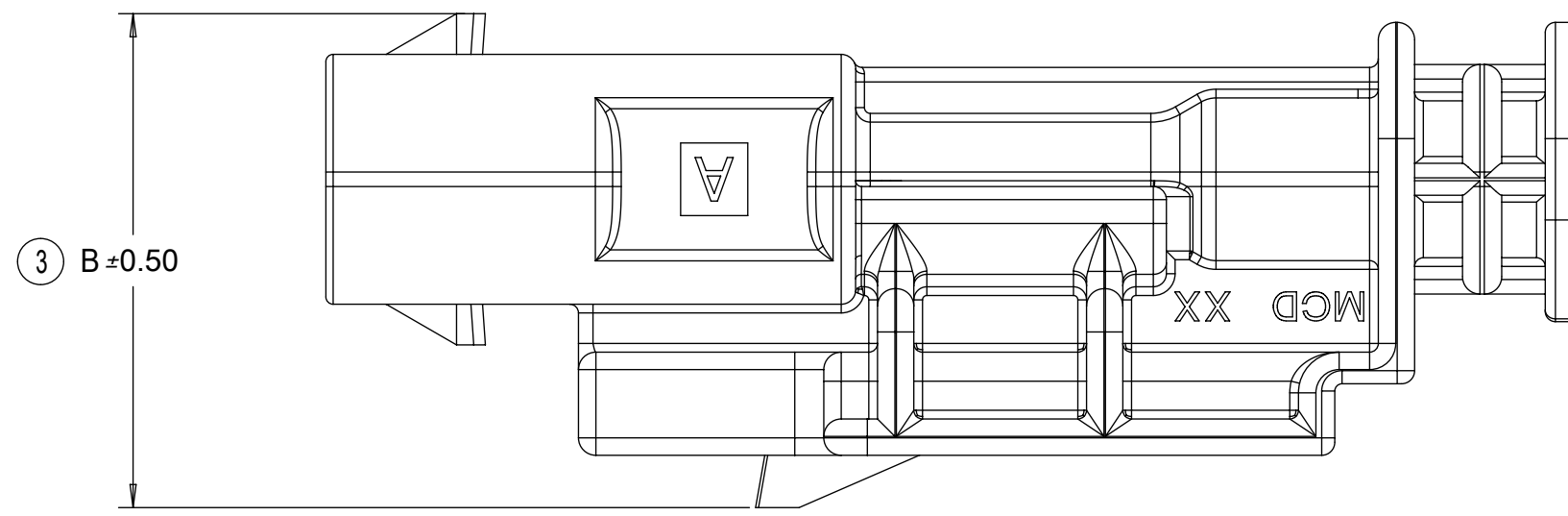
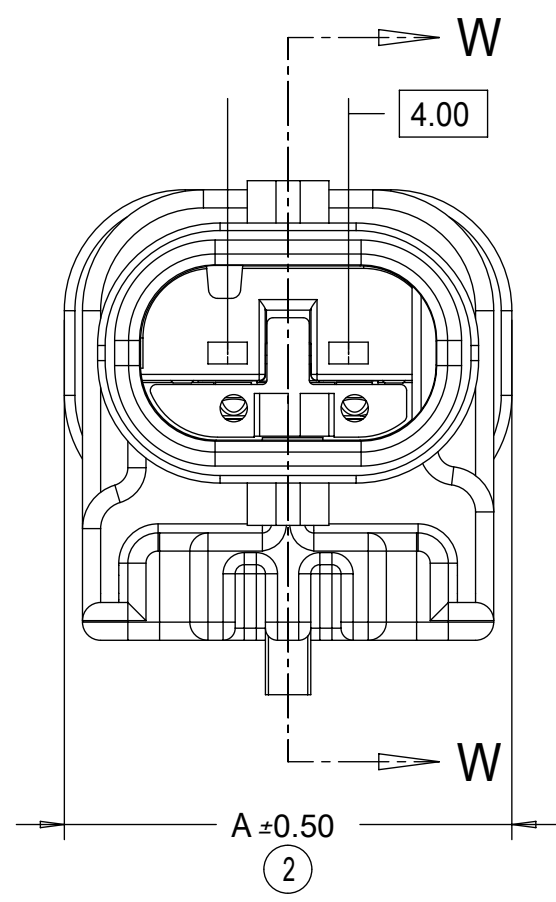
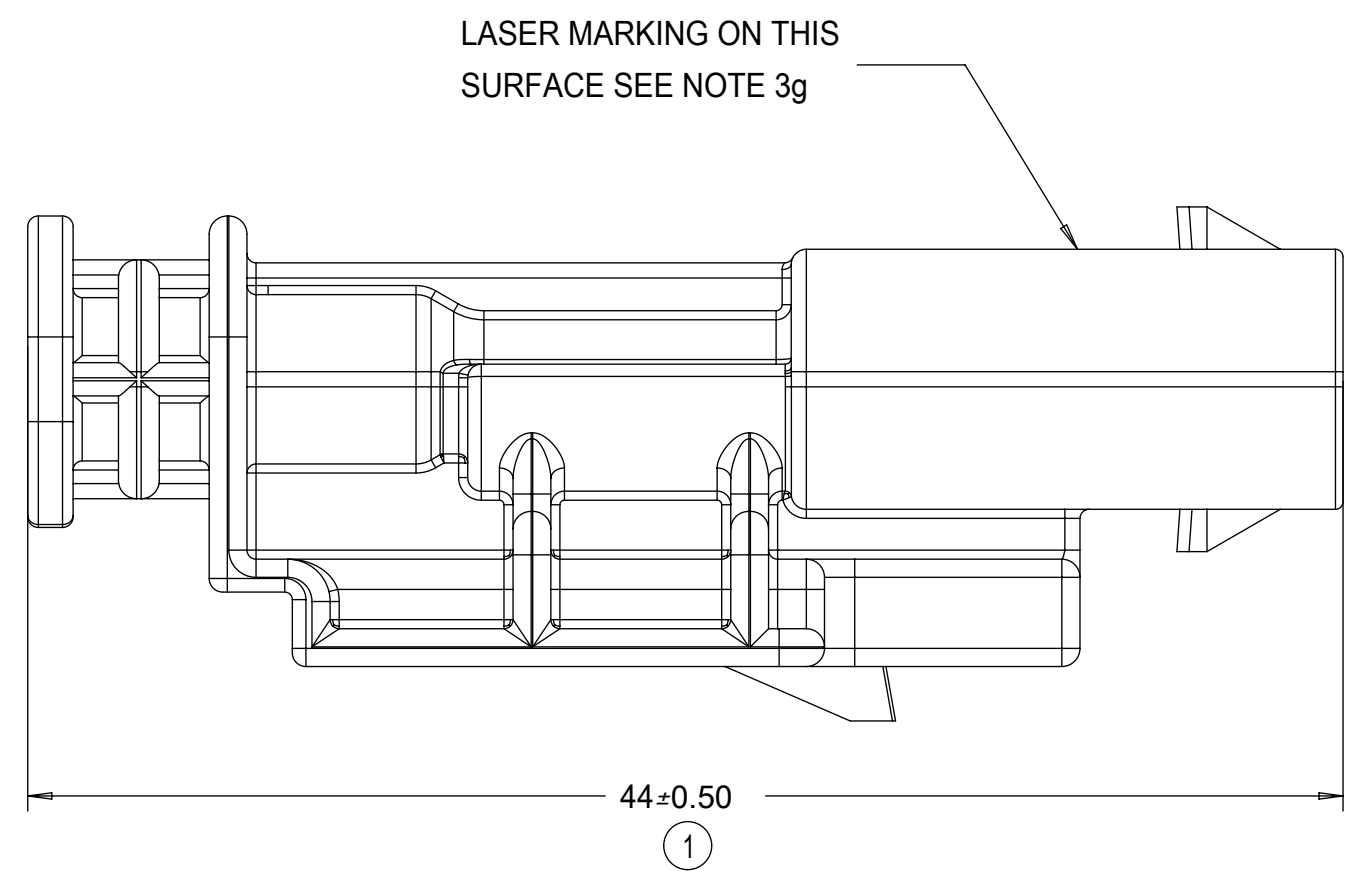


40G CLIP-SLOT OPTION



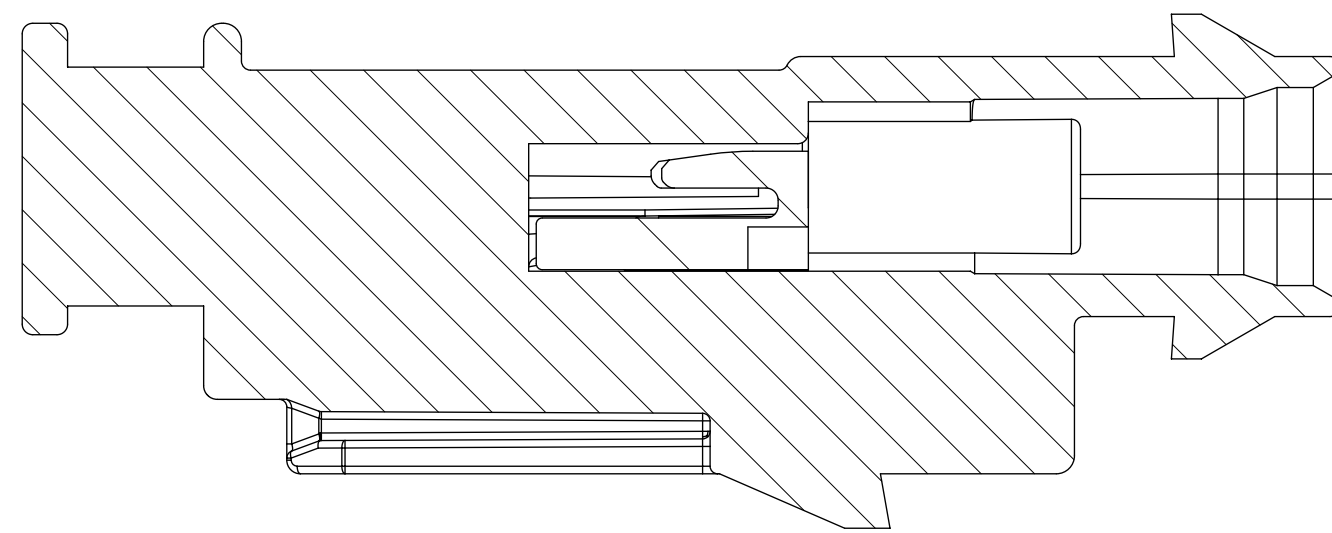
QUALITY SYMBOLS		THIS DRAWING CONTAINS INFORMATION THAT IS PROPRIETARY TO MOLEX ELECTRONIC TECHNOLOGIES, LLC AND SHOULD NOT BE USED WITHOUT WRITTEN PERMISSION															
▽ = 0	2019/07/15	GENERAL TOLERANCES (UNLESS SPECIFIED)		DIMENSION UNITS	SCALE							1.2MM 1X2, 1X3 BLADE SEALED ASSEMBLY CABLE SEAL 639764 - REMOVED CPA3 AND REPLACED WITH CPA2 AGAIN					
▽ = 0	2020/06/23	ANGULAR TOL ± 3.0 °		mm	4:1												
▽ = 0	2020/06/23	4 PLACES ±		DRWN BY	DATE	SKRAJENDRANA 2013/11/06						PRODUCT CUSTOMER DRAWING					
▽ = 0		3 PLACES ±		CHKD BY	DATE												
▽ = 0		2 PLACES ± 0.1		APPR BY		DATE		SERIES		MATERIAL NUMBER		CUSTOMER					
▽ = 0		1 PLACE ± 0.2		DRAWING SIZE		THIRD ANGLE PROJECTION		34899		SEE BOM		GENERAL MARKET					
▽ = 0		0 PLACES ± 0.5		DRAFT WHERE APPLICABLE MUST REMAIN WITHIN DIMENSIONS		D		DOCUMENT NUMBER		DOC TYPE		DOC PART		SHEET NUMBER			
▽ = 0		A16						SD-34899-2001		PSD		001		4 OF 11			

BLADE SEALED ASSEMBLY



PRIMARY LOCK REINFORCEMENT (PLR) SHOWN IN THE PRE-STAGED POSITION

SECTION W-W



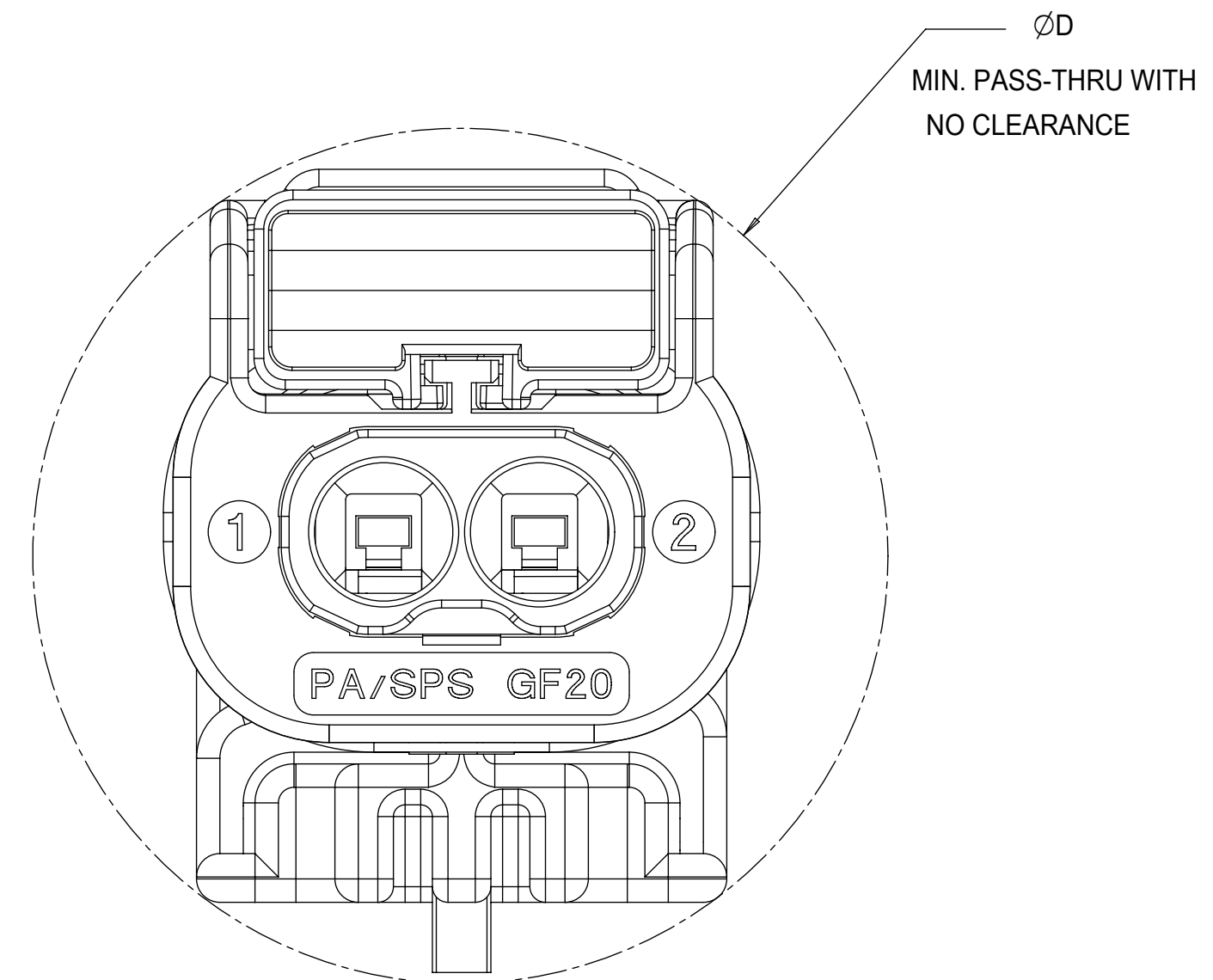
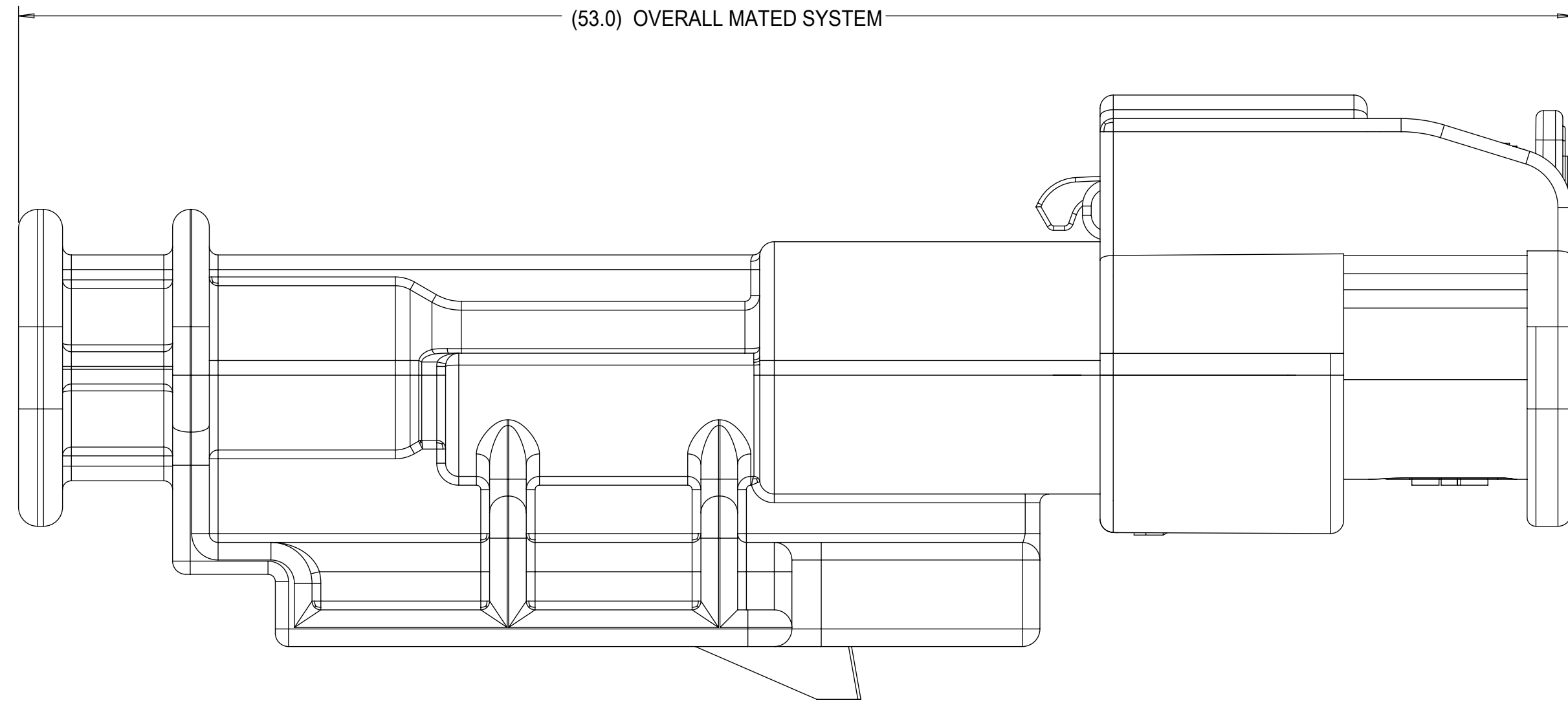
PRIMARY LOCK REINFORCEMENT (PLR) SHOWN IN THE FINAL-LOCK POSITION

SECTION X-X

1x3 BLADE SEALED ASSEMBLY, 40G CLIP SLOT	19	16.75	21.75
1x3 BLADE SEALED ASSEMBLY, 11mm CLIP SLOT	19	14.6	20.75
1x3 BLADE SEALED ASSEMBLY, 7mm CLIP SLOT	19	17	20.5
1x2 BLADE SEALED ASSEMBLY, 40G CLIP SLOT	15	16.75	20.25
1x2 BLADE SEALED ASSEMBLY, 11mm CLIP SLOT	15	15.5	19
1x2 BLADE SEALED ASSEMBLY, 7mm CLIP SLOT	15	17	18.75
CONFIGURATION	A	B	C
CHARTED DIMENSIONS			

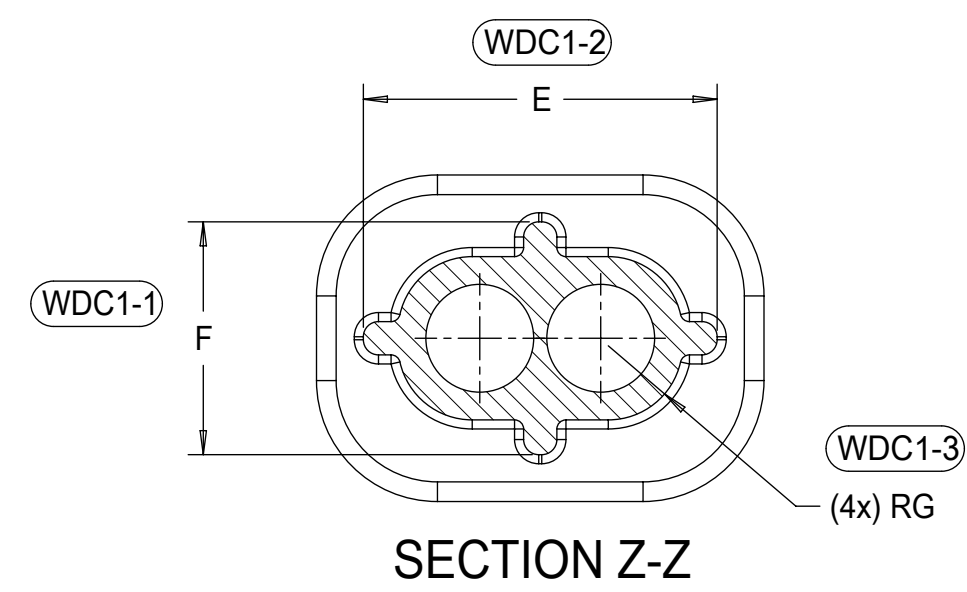
QUALITY SYMBOLS				THIS DRAWING CONTAINS INFORMATION THAT IS PROPRIETARY TO MOLEX ELECTRONIC TECHNOLOGIES, LLC AND SHOULD NOT BE USED WITHOUT WRITTEN PERMISSION			
▽ = 0	2019/07/15	GENERAL TOLERANCES (UNLESS SPECIFIED)		DIMENSION UNITS	SCALE		
▽ = 0	2020/06/23	ANGULAR TOL ± 3.0 °		mm	4:1		
▽ = 0	2020/06/23	4 PLACES ±		DRWN BY	DATE		
▽ = 0	639764	3 PLACES ±		SKRAJENDRANA	2013/11/06	1.2MM 1X2, 1X3 BLADE SEALED ASSEMBLY CABLE SEAL 639764 - REMOVED CPA3 AND REPLACED WITH CPA2 AGAIN	
▽ = 0	DRWN: GELLIOTTO1	2 PLACES ± 0.1		CHKD BY	DATE	PRODUCT CUSTOMER DRAWING	
▽ = 0	CHKD: KBORUSZEWSKI	1 PLACE ± 0.2		APPR BY	DATE	SERIES	MATERIAL NUMBER
▽ = 0	REV APPR: KBORUSZEWSKI	0 PLACES ± 0.5		DRAWING SIZE		34899	SEE BOM
▽ = 0	A16	DRAFT WHERE APPLICABLE MUST REMAIN WITHIN DIMENSIONS		THIRD ANGLE PROJECTION		CUSTOMER	GENERAL MARKET
▽ = 0				D		DOCUMENT NUMBER	DOC TYPE
						SD-34899-2001	PSD
						DOC PART	SHEET NUMBER
						001	5 OF 11

CONNECTION SYSTEM PACKAGING



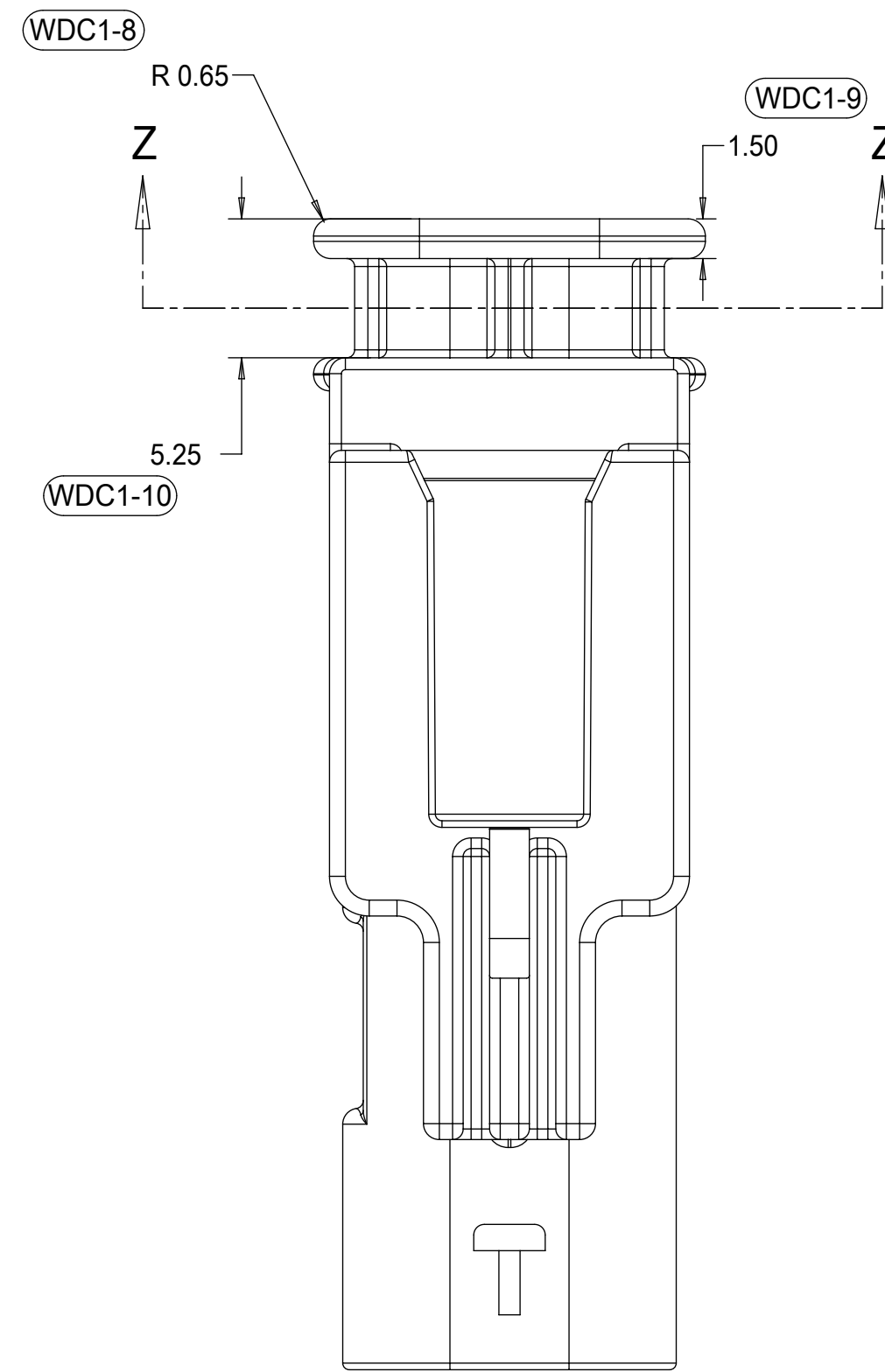
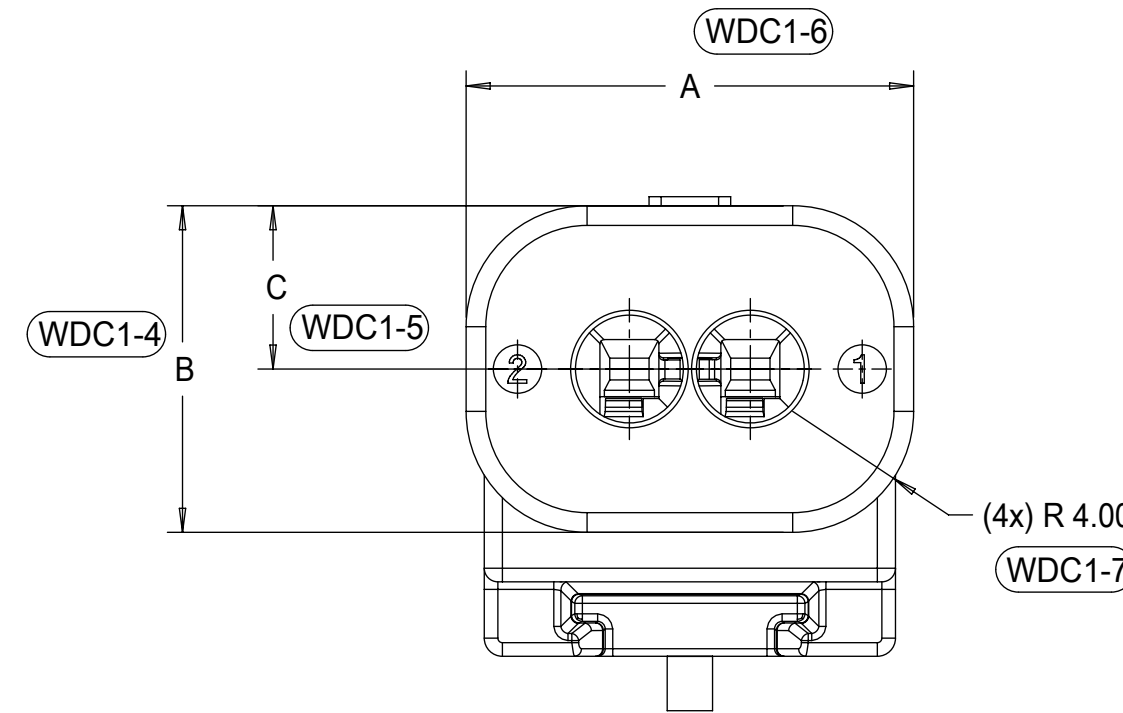
1x3 RECEPTACLE MATED TO 1x3 BLADE, 40 CLIP SLOT	TBD
1x3 RECEPTACLE MATED TO 1x3 BLADE, 11mm CLIP SLOT	24.0
1x3 RECEPTACLE MATED TO 1x3 BLADE, 7mm CLIP SLOT	23.0
1x2 RECEPTACLE MATED TO 1x2 BLADE, 40G CLIP SLOT	23.0
1x2 RECEPTACLE MATED TO 1x2 BLADE, 11mm CLIP SLOT	23.0
1x2 RECEPTACLE MATED TO 1x2 BLADE, 7mm CLIP SLOT	23.0
1.2mm CONNECTION SYSTEM CONFIGURATION	D
CHARTED DIMENSIONS	

QUALITY SYMBOLS □ = 0 ▽ = 0 ▽ = 0 ▽ = 0 ▽ = 0 ▽ = 0 ▽ = 0 ▽ = 0 ▽ = 0 ▽ = 0 ▽ = 0	THIS DRAWING CONTAINS INFORMATION THAT IS PROPRIETARY TO MOLEX ELECTRONIC TECHNOLOGIES, LLC AND SHOULD NOT BE USED WITHOUT WRITTEN PERMISSION		DIMENSION UNITS mm	SCALE 6:1	
	EC NO: 639764 DRWN: GELLIOTTO1 CHKD: KBORUSZEWSKI REV APPR: KBORUSZEWSKI	2019/07/15 2020/06/23 2020/06/23	GENERAL TOLERANCES (UNLESS SPECIFIED) ANGULAR TOL ± 3.0 ° 4 PLACES ± 3 PLACES ± 2 PLACES ± 0.1 1 PLACE ± 0.2 0 PLACES ± 0.5 DRAFT WHERE APPLICABLE MUST REMAIN WITHIN DIMENSIONS	DRWN BY SKRAJENDRANA	
EC NO: 639764 DRWN: GELLIOTTO1 CHKD: KBORUSZEWSKI REV APPR: KBORUSZEWSKI		DIMENSION UNITS D	THIRDO ANGLE PROJECTION	PRODUCT CUSTOMER DRAWING	SERIES 34899
EC NO: 639764 DRWN: GELLIOTTO1 CHKD: KBORUSZEWSKI REV APPR: KBORUSZEWSKI		DIMENSION UNITS D	THIRDO ANGLE PROJECTION	MATERIAL NUMBER SEE BOM	CUSTOMER GENERAL MARKET
EC NO: 639764 DRWN: GELLIOTTO1 CHKD: KBORUSZEWSKI REV APPR: KBORUSZEWSKI		DIMENSION UNITS D	THIRDO ANGLE PROJECTION	DOCUMENT NUMBER SD-34899-2001	DOC TYPE PSD
EC NO: 639764 DRWN: GELLIOTTO1 CHKD: KBORUSZEWSKI REV APPR: KBORUSZEWSKI		DIMENSION UNITS D	THIRDO ANGLE PROJECTION	DOC PART 001	SHEET NUMBER 6 OF 11

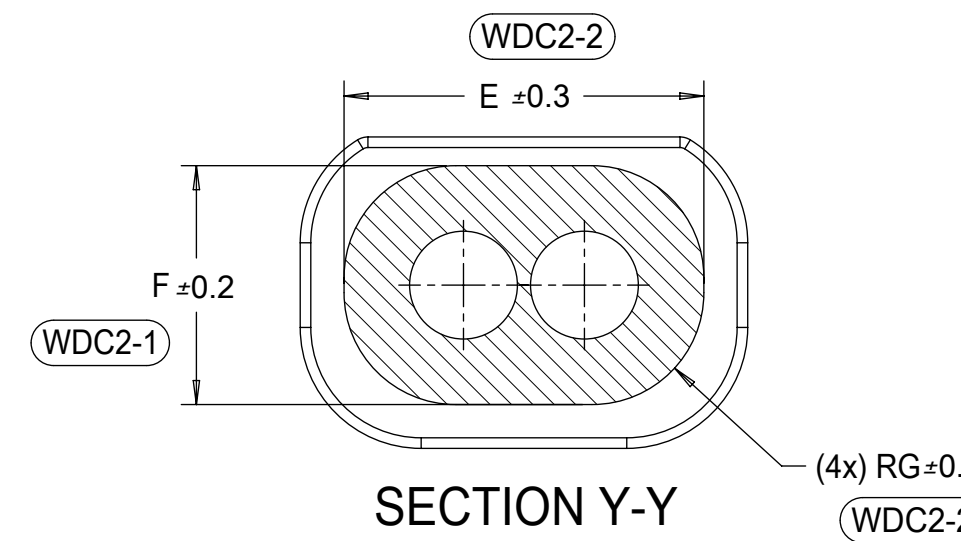


3 CIRCUIT	18.8	10.8	5.4	15.7	7.7	2.45
2 CIRCUIT	14.8	10.8	5.4	11.7	7.7	2.45
CONFIGURATION	A	B	C	E	F	G

CHARTED DIMENSIONS

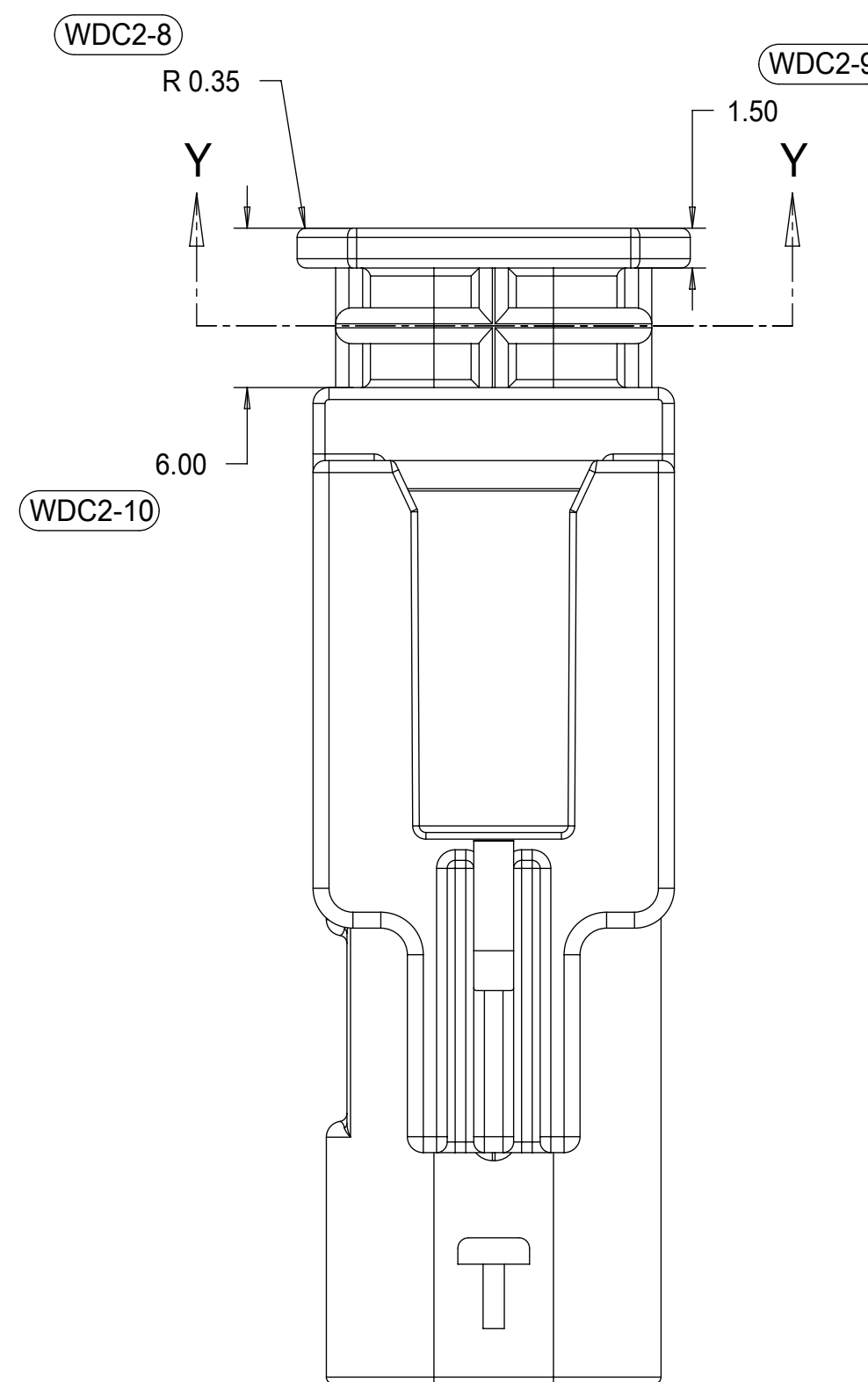
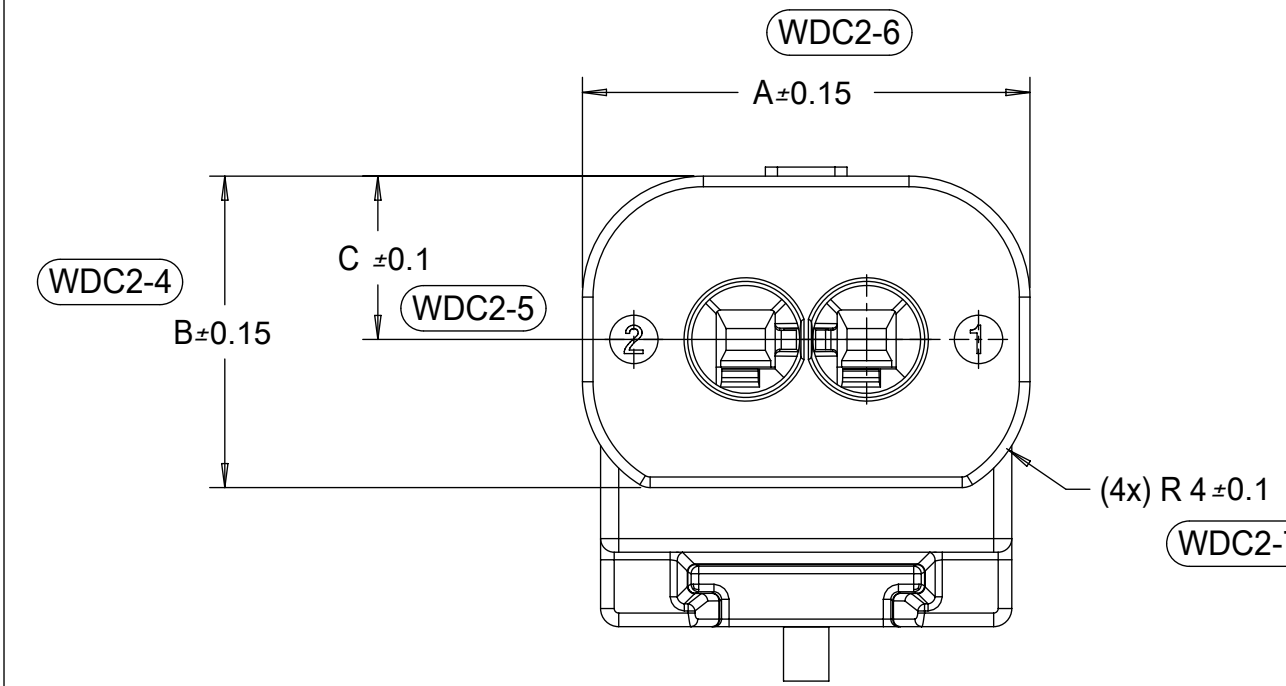


WIRE DRESS COVER
 INTERFACE OPTION 1
 WIRE DRESS COVERS
 NOT AVAILABLE



3 CIRCUIT	18.8	10.8	5.4	15.9	7.9	3.7
2 CIRCUIT	14.8	10.3	5.4	11.9	7.9	3.7
CONFIGURATION	A	B	C	E	F	G

CHARTED DIMENSIONS



WIRE DRESS COVER
 INTERFACE OPTION 2
 BASED ON HIRSCHMANN INTERFACE
 DRAWING 808-012-xxx REV B5

QUALITY SYMBOLS 	THIS DRAWING CONTAINS INFORMATION THAT IS PROPRIETARY TO MOLEX ELECTRONIC TECHNOLOGIES, LLC AND SHOULD NOT BE USED WITHOUT WRITTEN PERMISSION										
	EC NO: 639764 DRWN: GELIOTT01 CHKD: KBORUSZEWSKI REV APPR: KBORUSZEWSKI	GENERAL TOLERANCES (UNLESS SPECIFIED)		DIMENSION UNITS	SCALE						
		ANGULAR TOL ± 3.0 °		mm	4:1						
		4 PLACES ±		DRWN BY	DATE						
	3 PLACES ±		SKRAJENDRANA 2013/11/06		1.2MM 1X2, 1X3 BLADE SEALED ASSEMBLY CABLE SEAL 639764 - REMOVED CPA3 AND REPLACED WITH CPA2 AGAIN						
	2 PLACES ± 0.1		CHKD BY DATE								
	1 PLACE ± 0.2		APPR BY DATE								
	0 PLACES ± 0.5		DRAWING SIZE		THIRD ANGLE PROJECTION		PRODUCT CUSTOMER DRAWING		SERIES		
	DRAFT WHERE APPLICABLE MUST REMAIN WITHIN DIMENSIONS		D		D		34899		MATERIAL NUMBER		
							SEE TABLE		CUSTOMER		
						GENERAL MARKET		DOCUMENT NUMBER			
						SD-34899-2001		DOC TYPE			
						PSD		DOC PART			
						001		SHEET NUMBER			
						7 OF 11					

KEYING OPTION E, 11mm CLIP SLOT, STONE GRAY	34899-2043	1																	E	CONCEPT	
KEYING OPTION C, 11mm CLIP SLOT, DARK GRAY	34899-2042	1																	C	CONCEPT	
KEYING OPTION B, 11mm CLIP SLOT, LIGHT GRAY	34899-2041	1																	B	CONCEPT	
KEYING OPTION A, 11mm CLIP SLOT, BLACK	34899-2040	1																	A	CONCEPT	
KEYING OPTION E, 11mm CLIP SLOT, YELLOW	34899-2033	1																	E	CONCEPT	
KEYING OPTION C, 11mm CLIP SLOT, YELLOW	34899-2032	1																	C	CONCEPT	
KEYING OPTION B, 11mm CLIP SLOT, YELLOW	34899-2031	1																	B	CONCEPT	
KEYING OPTION A, 11mm CLIP SLOT, YELLOW	34899-2030	1																	A	CONCEPT	
KEYING OPTION E, 7mm CLIP SLOT, STONE GRAY	34899-2023	1																	E	TOOLED BUT NOT VALIDATED	
KEYING OPTION C, 7mm CLIP SLOT, DARK GRAY	34899-2022	1																	C	SALEABLE	
KEYING OPTION B, 7mm CLIP SLOT, LIGHT GRAY	34899-2021	1																	B	SALEABLE	
KEYING OPTION A, 7mm CLIP SLOT, BLACK	34899-2020	1																	A	SALEABLE	
KEYING OPTION E, 7mm CLIP SLOT, YELLOW	34899-2013	1																	E	TOOLED BUT NOT VALIDATED	
KEYING OPTION C, 7mm CLIP SLOT, YELLOW	34899-2012	1																	C	SALEABLE	
KEYING OPTION B, 7mm CLIP SLOT, YELLOW	34899-2011	1																	B	SALEABLE	
KEYING OPTION A, 7mm CLIP SLOT, YELLOW	34899-2010	1																	A	SALEABLE	
ASSEMBLY DESCRIPTION	ASSEMBLY PART NUMBER	WIRE DRESS COVER INTERFACE OPTION																		PRODUCTION TOOL STATUS	COMMENTS

1x2 BLADE SEALED ASSEMBLY BOM
 FOR WIRE DRESS COVER INTERFACE 1
 REFER WIRE DRESS COVER INTERFACE SHEET
 FOR DETAILS

PLR	COLOR	MATERIAL
1x2 CONNECTOR HOUSING, KEYING OPTION E 11mm CLIP SLOT	STONE GRAY	SPS/NYLON GF20
1x2 CONNECTOR HOUSING, KEYING OPTION C 11mm CLIP SLOT	DARK GRAY	SPS/NYLON GF20
1x2 CONNECTOR HOUSING, KEYING OPTION B 11mm CLIP SLOT	LIGHT GRAY	SPS/NYLON GF20
1x2 CONNECTOR HOUSING, KEYING OPTION A 11mm CLIP SLOT	BLACK	SPS/NYLON GF20
1x2 CONNECTOR HOUSING, KEYING OPTION E 11mm CLIP SLOT	YELLOW	SPS/NYLON GF20
1x2 CONNECTOR HOUSING, KEYING OPTION C 11mm CLIP SLOT	YELLOW	SPS/NYLON GF20
1x2 CONNECTOR HOUSING, KEYING OPTION B 11mm CLIP SLOT	YELLOW	SPS/NYLON GF20
1x2 CONNECTOR HOUSING, KEYING OPTION A 11mm CLIP SLOT	YELLOW	SPS/NYLON GF20
1x2 CONNECTOR HOUSING, KEYING OPTION E 7mm CLIP SLOT	STONE GRAY	SPS/NYLON GF20
1x2 CONNECTOR HOUSING, KEYING OPTION C 7mm CLIP SLOT	DARK GRAY	SPS/NYLON GF20
1x2 CONNECTOR HOUSING, KEYING OPTION B 7mm CLIP SLOT	LIGHT GRAY	SPS/NYLON GF20
1x2 CONNECTOR HOUSING, KEYING OPTION A 7mm CLIP SLOT	BLACK	SPS/NYLON GF20
1x2 CONNECTOR HOUSING, KEYING OPTION E 7mm CLIP SLOT	YELLOW	SPS/NYLON GF20
1x2 CONNECTOR HOUSING, KEYING OPTION C 7mm CLIP SLOT	YELLOW	SPS/NYLON GF20
1x2 CONNECTOR HOUSING, KEYING OPTION B 7mm CLIP SLOT	YELLOW	SPS/NYLON GF20
1x2 CONNECTOR HOUSING, KEYING OPTION A 7mm CLIP SLOT	YELLOW	SPS/NYLON GF20
DESCRIPTION	COLOR	MATERIAL

BOM/APPLICABLE COMPONENTS TABLE

ABBREVIATION	COMPONENT
A	CONNECTOR HOUSING KEYING OPTION A
B	CONNECTOR HOUSING KEYING OPTION B
C	CONNECTOR HOUSING KEYING OPTION C
E	CONNECTOR HOUSING KEYING OPTION E

QUALITY SYMBOLS 	THIS DRAWING CONTAINS INFORMATION THAT IS PROPRIETARY TO MOLEX ELECTRONIC TECHNOLOGIES, LLC AND SHOULD NOT BE USED WITHOUT WRITTEN PERMISSION				
	EC NO: 639764 DRWN: GELIOT01 CHKD: KBORUSZEWSKI REV APPR: KBORUSZEWSKI	2019/07/15 2020/06/23 2020/06/23		GENERAL TOLERANCES (UNLESS SPECIFIED) ANGULAR TOL $\pm 3.0^{\circ}$	
		DIMENSION UNITS: mm SCALE: 2:1		DRWN BY: SKRAJENDRANA DATE: 2013/11/06	
	4 PLACES \pm 3 PLACES \pm 2 PLACES ± 0.1 1 PLACE ± 0.2 0 PLACES ± 0.5		CHKD BY: DATE: APPR BY: DATE:		
	DRAFT WHERE APPLICABLE MUST REMAIN WITHIN DIMENSIONS		DRAWING SIZE: D THIRD ANGLE PROJECTION		
	<p>1.2MM 1X2, 1X3 BLADE SEALED ASSEMBLY CABLE SEAL 639764 - REMOVED CPA3 AND REPLACED WITH CPA2 AGAIN</p> <p>PRODUCT CUSTOMER DRAWING</p> <p>SERIES: 34899 MATERIAL NUMBER: SEE BOM CUSTOMER: GENERAL MARKET</p> <p>DOCUMENT NUMBER: SD-34899-2001 DOC TYPE: PSD DOC PART: 001 SHEET NUMBER: 8 OF 11</p>				


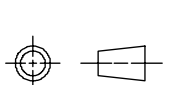
1x2 BLADE SEALED ASSEMBLY BOM
 FOR WIRE DRESS COVER INTERFACE 2
 REFER WIRE DRESS COVER INTERFACE SHEET
 FOR DETAILS

KEYING OPTION A, 40G CLIP SLOT, BLACK	34899-2060	2																			A	OK TO TOOL		
KEYING OPTION A, 40G CLIP SLOT, YELLOW	34899-2050	2																				A	OK TO TOOL	
KEYING OPTION E, 7mm CLIP SLOT, STONE GRAY	34899-2083	2																				E	OK TO TOOL	
KEYING OPTION C, 7mm CLIP SLOT, DARK GRAY	34899-2082	2																				C	SALEABLE	
KEYING OPTION B, 7mm CLIP SLOT, LIGHT GRAY	34899-2081	2																				B	SALEABLE	
KEYING OPTION A, 7mm CLIP SLOT, BLACK	34899-2080	2																				A	SALEABLE	
KEYING OPTION E, 7mm CLIP SLOT, YELLOW	34899-2073	2																				E	OK TO TOOL	
KEYING OPTION C, 7mm CLIP SLOT, YELLOW	34899-2072	2																				C	SALEABLE	
KEYING OPTION B, 7mm CLIP SLOT, YELLOW	34899-2071	2																				B	SALEABLE	
KEYING OPTION A, 7mm CLIP SLOT, YELLOW	34899-2070	2																				A	SALEABLE	
ASSEMBLY DESCRIPTION	ASSEMBLY PART NUMBER	WIRE DRESS COVER INTERFACE OPTION																				PRODUCTION TOOL STATUS	COMMENTS	

PLR	NATURAL	SPS/NYLON GF20
DESCRIPTION	COLOR	MATERIAL
1x2 CONNECTOR HOUSING, KEYING OPTION A 40G CLIP SLOT	BLACK	SPS/NYLON GF20
1x2 CONNECTOR HOUSING, KEYING OPTION A 40G CLIP SLOT	YELLOW	SPS/NYLON GF20
1x2 CONNECTOR HOUSING, KEYING OPTION E 7mm CLIP SLOT	STONE GRAY	SPS/NYLON GF20
1x2 CONNECTOR HOUSING, KEYING OPTION C 7mm CLIP SLOT	DARK GRAY	SPS/NYLON GF20
1x2 CONNECTOR HOUSING, KEYING OPTION B 7mm CLIP SLOT	LIGHT GRAY	SPS/NYLON GF20
1x2 CONNECTOR HOUSING, KEYING OPTION A 7mm CLIP SLOT	BLACK	SPS/NYLON GF20
1x2 CONNECTOR HOUSING, KEYING OPTION E 7mm CLIP SLOT	YELLOW	SPS/NYLON GF20
1x2 CONNECTOR HOUSING, KEYING OPTION C 7mm CLIP SLOT	YELLOW	SPS/NYLON GF20
1x2 CONNECTOR HOUSING, KEYING OPTION B 7mm CLIP SLOT	YELLOW	SPS/NYLON GF20
1x2 CONNECTOR HOUSING, KEYING OPTION A 7mm CLIP SLOT	YELLOW	SPS/NYLON GF20

BOM/APPLICABLE COMPONENTS TABLE

ABBREVIATION	COMPONENT
A	CONNECTOR HOUSING KEYING OPTION A
B	CONNECTOR HOUSING KEYING OPTION B
C	CONNECTOR HOUSING KEYING OPTION C
E	CONNECTOR HOUSING KEYING OPTION E

THIS DRAWING CONTAINS INFORMATION THAT IS PROPRIETARY TO MOLEX ELECTRONIC TECHNOLOGIES, LLC AND SHOULD NOT BE USED WITHOUT WRITTEN PERMISSION													
QUALITY SYMBOLS	2019/07/15	GENERAL TOLERANCES (UNLESS SPECIFIED)	DIMENSION UNITS	SCALE	 1.2MM 1X2, 1X3 BLADE SEALED ASSEMBLY CABLE SEAL 639764 - REMOVED CPA3 AND REPLACED WITH CPA2 AGAIN PRODUCT CUSTOMER DRAWING								
▽ = 0	2020/06/23	ANGULAR TOL ± 3.0 °	mm	DRWN BY								DATE	
▽ = 0	2020/06/23	4 PLACES ±		SKRAJENDRANA								2013/11/06	
▽ = 0		3 PLACES ±		CHKD BY								DATE	
▽ = 0		2 PLACES ± 0.1		APPR BY	DATE								
▽ = 0		1 PLACE ± 0.2		DRAWING SIZE	THIRD ANGLE PROJECTION								
▽ = 0		0 PLACES ± 0.5		D									
▽ = 0		DRAFT WHERE APPLICABLE MUST REMAIN WITHIN DIMENSIONS		SERIES	MATERIAL NUMBER	CUSTOMER	34899	SEE BOM	GENERAL MARKET	DOCUMENT NUMBER	DOC TYPE	DOC PART	SHEET NUMBER
▽ = 0				A16	SD-34899-2001	PSD	001	9 OF 11					

1x3 BLADE SEALED ASSEMBLY BOM
 FOR WIRE DRESS COVER INTERFACE 1
 REFER WIRE DRESS COVER INTERFACE SHEET
 FOR DETAILS

KEYING OPTION D, 11mm CLIP SLOT, STONE GRAY	34899-3043	1																D	TOOLED BUT NOT VALIDATED		EM-34899-3033
KEYING OPTION C, 11mm CLIP SLOT, DARK GRAY	34899-3042	1																C	TOOLED BUT NOT VALIDATED		EM-34899-3032
KEYING OPTION B, 11mm CLIP SLOT, LIGHT GRAY	34899-3041	1																B	SALEABLE		EM-34899-3031
KEYING OPTION A, 11mm CLIP SLOT, BLACK	34899-3040	1																A	SALEABLE		EM-34899-3030
KEYING OPTION D, 11mm CLIP SLOT, YELLOW	34899-3033	1																D	TOOLED BUT NOT VALIDATED		EM-34899-3033
KEYING OPTION C, 11mm CLIP SLOT, YELLOW	34899-3032	1																C	TOOLED BUT NOT VALIDATED		EM-34899-3032
KEYING OPTION B, 11mm CLIP SLOT, YELLOW	34899-3031	1																B	OBSOLETE		EM-34899-3031
KEYING OPTION A, 11mm CLIP SLOT, YELLOW	34899-3030	1																A	SALEABLE		EM-34899-3030
KEYING OPTION D, 7mm CLIP SLOT, STONE GRAY	34899-3023	1																D	TOOLED BUT NOT VALIDATED		EM-34899-3013
KEYING OPTION C, 7mm CLIP SLOT, DARK GRAY	34899-3022	1																C	TOOLED BUT NOT VALIDATED		EM-34899-3012
KEYING OPTION B, 7mm CLIP SLOT, LIGHT GRAY	34899-3021	1																B	SALEABLE		EM-34899-3011
KEYING OPTION A, 7mm CLIP SLOT, BLACK	34899-3020	1																A	SALEABLE		EM-34899-3010
KEYING OPTION D, 7mm CLIP SLOT, YELLOW	34899-3013	1																D	TOOLED BUT NOT VALIDATED		EM-34899-3013
KEYING OPTION C, 7mm CLIP SLOT, YELLOW	34899-3012	1																C	TOOLED BUT NOT VALIDATED		EM-34899-3012
KEYING OPTION B, 7mm CLIP SLOT, YELLOW	34899-3011	1																B	OBSOLETE		EM-34899-3011
KEYING OPTION A, 7mm CLIP SLOT, YELLOW	34899-3010	1																A	SALEABLE		EM-34899-3010

ASSEMBLY DESCRIPTION	ASSEMBLY PART NUMBER	WIRE DRESS COVER INTERFACE OPTION	PRODUCTION TOOL STATUS	COMMENTS	MODEL NUMBER
----------------------	----------------------	-----------------------------------	------------------------	----------	--------------

DESCRIPTION	COLOR	MATERIAL
PLR	NATURAL	SPS/NYLON GF20
1x3 CONNECTOR HOUSING, KEYING OPTION D 11mm CLIP SLOT	STONE GRAY	SPS/NYLON GF20
1x3 CONNECTOR HOUSING, KEYING OPTION C 11mm CLIP SLOT	DARK GRAY	SPS/NYLON GF20
1x3 CONNECTOR HOUSING, KEYING OPTION B 11mm CLIP SLOT	LIGHT GRAY	SPS/NYLON GF20
1x3 CONNECTOR HOUSING, KEYING OPTION A 11mm CLIP SLOT	BLACK	SPS/NYLON GF20
1x3 CONNECTOR HOUSING, KEYING OPTION D 11mm CLIP SLOT	YELLOW	SPS/NYLON GF20
1x3 CONNECTOR HOUSING, KEYING OPTION C 11mm CLIP SLOT	YELLOW	SPS/NYLON GF20
1x3 CONNECTOR HOUSING, KEYING OPTION B 11mm CLIP SLOT	YELLOW	SPS/NYLON GF20
1x3 CONNECTOR HOUSING, KEYING OPTION A 11mm CLIP SLOT	YELLOW	SPS/NYLON GF20
1x3 CONNECTOR HOUSING, KEYING OPTION D 7mm CLIP SLOT	STONE GRAY	SPS/NYLON GF20
1x3 CONNECTOR HOUSING, KEYING OPTION C 7mm CLIP SLOT	DARK GRAY	SPS/NYLON GF20
1x3 CONNECTOR HOUSING, KEYING OPTION B 7mm CLIP SLOT	LIGHT GRAY	SPS/NYLON GF20
1x3 CONNECTOR HOUSING, KEYING OPTION A 7mm CLIP SLOT	BLACK	SPS/NYLON GF20
1x3 CONNECTOR HOUSING, KEYING OPTION D 7mm CLIP SLOT	YELLOW	SPS/NYLON GF20
1x3 CONNECTOR HOUSING, KEYING OPTION C 7mm CLIP SLOT	YELLOW	SPS/NYLON GF20
1x3 CONNECTOR HOUSING, KEYING OPTION B 7mm CLIP SLOT	YELLOW	SPS/NYLON GF20
1x3 CONNECTOR HOUSING, KEYING OPTION A 7mm CLIP SLOT	YELLOW	SPS/NYLON GF20

DESCRIPTION	COLOR	MATERIAL
BOM/APPLICABLE COMPONENTS TABLE		

ABBREVIATION	COMPONENT
A	CONNECTOR HOUSING KEYING OPTION A
B	CONNECTOR HOUSING KEYING OPTION B
C	CONNECTOR HOUSING KEYING OPTION C
D	CONNECTOR HOUSING KEYING OPTION D

QUALITY SYMBOLS □ = 0 ▽ = 0 ▽ = 0 ▽ = 0 ▽ = 0 ▽ = 0 ▽ = 0 ▽ = 0 ▽ = 0 ▽ = 0	THIS DRAWING CONTAINS INFORMATION THAT IS PROPRIETARY TO MOLEX ELECTRONIC TECHNOLOGIES, LLC AND SHOULD NOT BE USED WITHOUT WRITTEN PERMISSION				
	EC NO: 639764 DRWN: GELLIOTTO1 CHKD: KBORUSZEWSKI REV: APPR: KBORUSZEWSKI	2019/07/15 2020/06/23 2020/06/23	GENERAL TOLERANCES (UNLESS SPECIFIED) ANGULAR TOL ± 3.0 ° 4 PLACES ± 3 PLACES ± 2 PLACES ± 0.1 1 PLACE ± 0.2 0 PLACES ± 0.5 DRAFT WHERE APPLICABLE MUST REMAIN WITHIN DIMENSIONS	DIMENSION UNITS: mm SCALE: DRWN BY: SKRAJENDRANA DATE: 2013/11/06 CHKD BY: DATE: APPR BY: DATE: DRAWING SIZE: D THIRD ANGLE PROJECTION:	molex® 1.2MM 1X2, 1X3 BLADE SEALED ASSEMBLY CABLE SEAL 639764 - REMOVED CPA3 AND REPLACED WITH CPA2 AGAIN PRODUCT CUSTOMER DRAWING SERIES: 34899 MATERIAL NUMBER: SEE BOM CUSTOMER: GENERAL MARKET
	RELEASE STATUS P1 RELEASE DATE 2020/06/23 16:54:25				
	DOCUMENT NUMBER SD-34899-2001 DOC TYPE PSD DOC PART 001 SHEET NUMBER 10 OF 11				

KEYING OPTION A, 40-G CLIP SLOT, BLACK	34899-3060	2																			A	CONCEPT	EM-34899-3050
KEYING OPTION A, 40-G CLIP SLOT, YELLOW	34899-3050	2																			A	CONCEPT	EM-34899-3050
KEYING OPTION D, 11mm CLIP SLOT, STONE GRAY	34899-3123	2																			D	OK TO TOOL	EM-34899-3033
KEYING OPTION C, 11mm CLIP SLOT, DARK GRAY	34899-3122	2																			C	OK TO TOOL	EM-34899-3032
KEYING OPTION B, 11mm CLIP SLOT, LIGHT GRAY	34899-3121	2																			B	SALEABLE	EM-34899-3031
KEYING OPTION A, 11mm CLIP SLOT, BLACK	34899-3120	2																			A	SALEABLE	EM-34899-3030
KEYING OPTION D, 11mm CLIP SLOT, YELLOW	34899-3113	2																			D	OK TO TOOL	EM-34899-3033
KEYING OPTION C, 11mm CLIP SLOT, YELLOW	34899-3112	2																			C	OK TO TOOL	EM-34899-3032
KEYING OPTION B, 11mm CLIP SLOT, YELLOW	34899-3111	2																			B	SALEABLE	EM-34899-3031
KEYING OPTION A, 11mm CLIP SLOT, YELLOW	34899-3110	2																			A	SALEABLE	EM-34899-3030
KEYING OPTION D, 7mm CLIP SLOT, STONE GRAY	34899-3083	2																			D	OK TO TOOL	EM-34899-3073
KEYING OPTION C, 7mm CLIP SLOT, DARK GRAY	34899-3082	2																			C	OK TO TOOL	EM-34899-3072
KEYING OPTION B, 7mm CLIP SLOT, LIGHT GRAY	34899-3081	2																			B	SALEABLE	EM-34899-3071
KEYING OPTION A, 7mm CLIP SLOT, BLACK	34899-3080	2																			A	SALEABLE	EM-34899-3070
KEYING OPTION D, 7mm CLIP SLOT, YELLOW	34899-3073	2																			D	OK TO TOOL	EM-34899-3073
KEYING OPTION C, 7mm CLIP SLOT, YELLOW	34899-3072	2																			C	OK TO TOOL	EM-34899-3072
KEYING OPTION B, 7mm CLIP SLOT, YELLOW	34899-3071	2																			B	SALEABLE	EM-34899-3071
KEYING OPTION A, 7mm CLIP SLOT, YELLOW	34899-3070	2																			A	SALEABLE	EM-34899-3070

**1x3 BLADE SEALED ASSEMBLY BOM
FOR WIRE DRESS COVER INTERFACE 2
REFER WIRE DRESS COVER INTERFACE SHEET
FOR DETAILS**

ASSEMBLY DESCRIPTION	ASSEMBLY PART NUMBER	WIRE DRESS COVER INTERFACE OPTION	PRODUCTION TOOL STATUS	COMMENTS	MODEL NUMBER
----------------------	----------------------	-----------------------------------	------------------------	----------	--------------

PLR	NATURAL	SPS/NYLON GF20
1x3 CONNECTOR HOUSING, KEYING OPTION A 40G CLIP SLOT	BLACK	SPS/NYLON GF20
1x3 CONNECTOR HOUSING, KEYING OPTION A 40G CLIP SLOT	YELLOW	SPS/NYLON GF20
1x3 CONNECTOR HOUSING, KEYING OPTION D 11mm CLIP SLOT	STONE GRAY	SPS/NYLON GF20
1x3 CONNECTOR HOUSING, KEYING OPTION C 11mm CLIP SLOT	DARK GRAY	SPS/NYLON GF20
1x3 CONNECTOR HOUSING, KEYING OPTION B 11mm CLIP SLOT	LIGHT GRAY	SPS/NYLON GF20
1x3 CONNECTOR HOUSING, KEYING OPTION A 11mm CLIP SLOT	BLACK	SPS/NYLON GF20
1x3 CONNECTOR HOUSING, KEYING OPTION D 11mm CLIP SLOT	YELLOW	SPS/NYLON GF20
1x3 CONNECTOR HOUSING, KEYING OPTION C 11mm CLIP SLOT	YELLOW	SPS/NYLON GF20
1x3 CONNECTOR HOUSING, KEYING OPTION B 11mm CLIP SLOT	YELLOW	SPS/NYLON GF20
1x3 CONNECTOR HOUSING, KEYING OPTION A 11mm CLIP SLOT	YELLOW	SPS/NYLON GF20
1x3 CONNECTOR HOUSING, KEYING OPTION D 7mm CLIP SLOT	STONE GRAY	SPS/NYLON GF20
1x3 CONNECTOR HOUSING, KEYING OPTION C 7mm CLIP SLOT	DARK GRAY	SPS/NYLON GF20
1x3 CONNECTOR HOUSING, KEYING OPTION B 7mm CLIP SLOT	LIGHT GRAY	SPS/NYLON GF20
1x3 CONNECTOR HOUSING, KEYING OPTION A 7mm CLIP SLOT	BLACK	SPS/NYLON GF20
1x3 CONNECTOR HOUSING, KEYING OPTION D 7mm CLIP SLOT	YELLOW	SPS/NYLON GF20
1x3 CONNECTOR HOUSING, KEYING OPTION C 7mm CLIP SLOT	YELLOW	SPS/NYLON GF20
1x3 CONNECTOR HOUSING, KEYING OPTION B 7mm CLIP SLOT	YELLOW	SPS/NYLON GF20
1x3 CONNECTOR HOUSING, KEYING OPTION A 7mm CLIP SLOT	YELLOW	SPS/NYLON GF20
DESCRIPTION	COLOR	MATERIAL

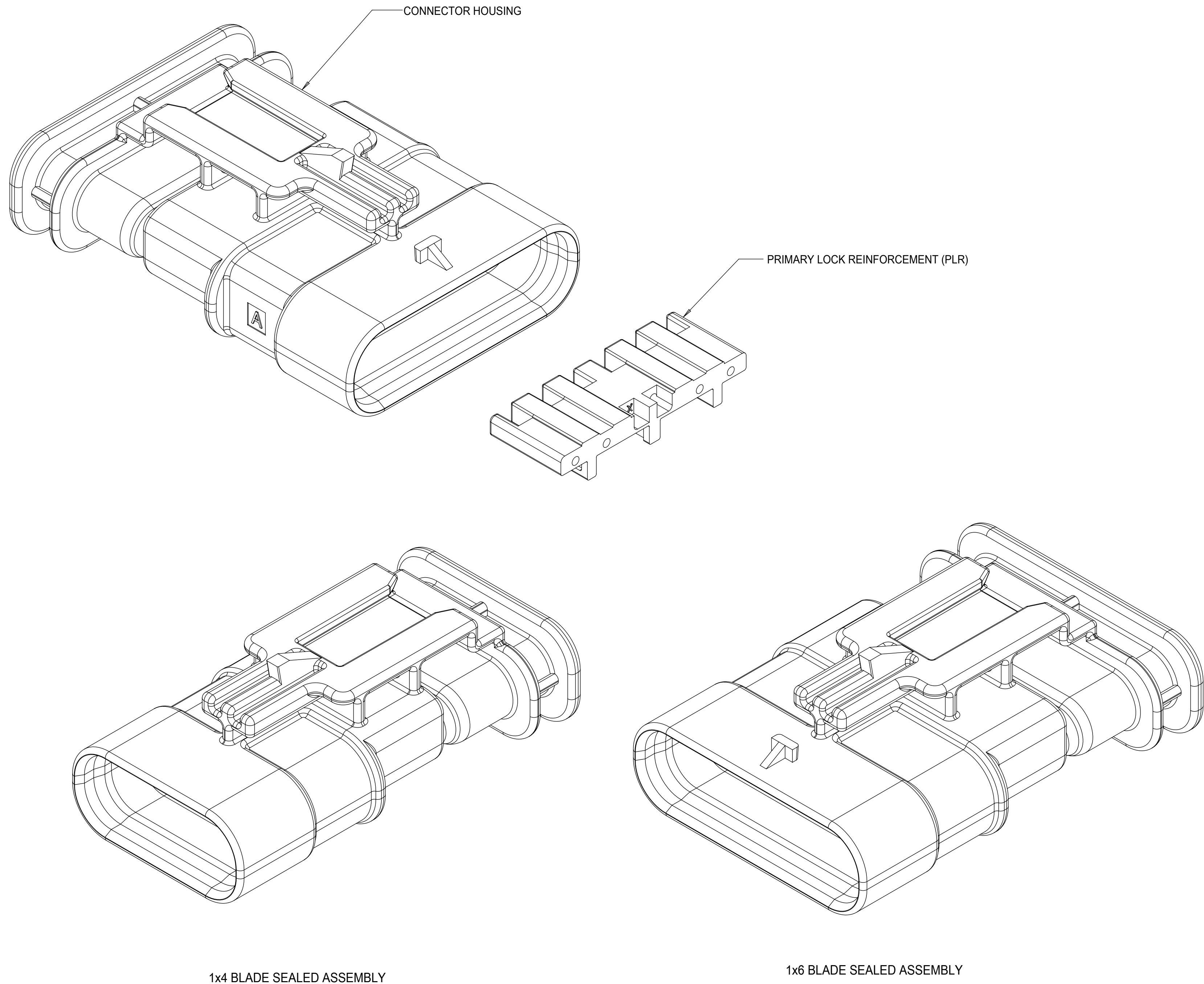
BOM/APPLICABLE COMPONENTS TABLE

ABBREVIATION	COMPONENT
A	CONNECTOR HOUSING KEYING OPTION A
B	CONNECTOR HOUSING KEYING OPTION B
C	CONNECTOR HOUSING KEYING OPTION C
D	CONNECTOR HOUSING KEYING OPTION D

QUALITY SYMBOLS 	THIS DRAWING CONTAINS INFORMATION THAT IS PROPRIETARY TO MOLEX ELECTRONIC TECHNOLOGIES, LLC AND SHOULD NOT BE USED WITHOUT WRITTEN PERMISSION	
	EC NO: 639764 DRWN: GELIOTT01 CHKD: KBORUSZEWSKI REV APPR: KBORUSZEWSKI	2019/07/15 2020/06/23 2020/06/23
DRW BY: SKRAJENDRANA DATE: 2013/11/06 CHKD BY: SKRAJENDRANA DATE: 2013/11/06 APPR BY: SKRAJENDRANA DATE: 2013/11/06		DIMENSION UNITS: mm SCALE: SKRAJENDRANA DATE: 2013/11/06 ANGULAR TOL ± 3.0 ° 4 PLACES ± 3 PLACES ± 2 PLACES ± 0.1 1 PLACE ± 0.2 0 PLACES ± 0.5 DRAFT WHERE APPLICABLE MUST REMAIN WITHIN DIMENSIONS
PRODUCT CUSTOMER DRAWING SERIES: 34899 MATERIAL NUMBER: SEE BOM CUSTOMER: GENERAL MARKET		
DOCUMENT NUMBER: SD-34899-2001 DOC TYPE: PSD DOC PART: 001 SHEET NUMBER: 11 OF 11		DRAWING SIZE: D THIRD ANGLE PROJECTION

TABLE OF CONTENTS

SHEET NO.	SHEET DESCRIPTION
1	NOTES
2	1x4 BLADE SEALED ASSEMBLY KEYING CONFIGURATIONS
3	1x6 BLADE SEALED ASSEMBLY KEYING CONFIGURATIONS
4	CLIP-SLOT CONFIGURATIONS
5	BLADE SEALED ASSEMBLY
6	CONNECTION SYSTEM PACKAGING
7	WIRE DRESS COVER INTERFACE OPTIONS
8	1x4 BLADE SEALED ASSEMBLY BOM INTERFACE OPTION 1
9	1x4 BLADE SEALED ASSEMBLY BOM INTERFACE OPTION 2
10	1x6 BLADE SEALED ASSEMBLY BOM INTERFACE OPTION 1
11	1x6 BLADE SEALED ASSEMBLY BOM INTERFACE OPTION 2



1x4 BLADE SEALED ASSEMBLY

1x6 BLADE SEALED ASSEMBLY

NOTES: VALID UNLESS OTHERWISE SPECIFIED

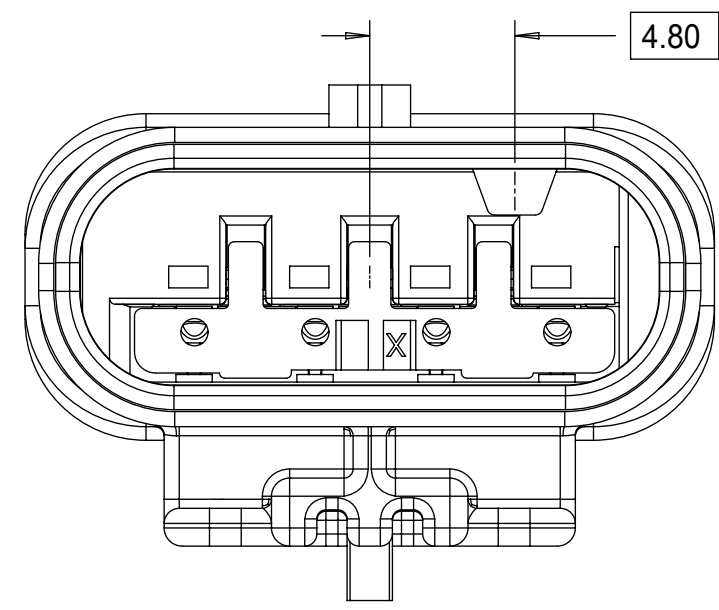
1. GENERAL:
 - a. APPLICATION SPECIFICATION SEE: AS-34900-0001
CONTAINS: PRODUCT INTRODUCTION, PRODUCT SUMMARY, CONNECTOR ASSEMBLY, PACKAGING INFORMATION, CONNECTOR MATING, SERVICE INSTRUCTIONS, ELECTRICAL CONTINUITY CHECKING, CRIMPING, AND TROUBLESHOOTING.
 - b. PRODUCT SPECIFICATION SEE: PS-34900-0001
CONTAINS: PRODUCT INTRODUCTION, PRODUCT SUMMARY, RATINGS (CURRENT, TEMPERATURE, SEALING, AND FLAMMABILITY), AND PRODUCT VALIDATION.
 - c. PACKAGING SPECIFICATION PER MOLEX DRAWING: PK-31301-898
 - d. PARTS MUST BE IN COMPLIANCE TO MOLEX CHEMICAL SUBSTANCES FOR PRODUCTS AND PACKAGING SPECIFICATION: QEHS-699000-301
 - e. DATA MUST BE SUBMITTED UNDER THE MOLEX PART NUMBER TO IMDS (COMPANY ID#13255)
2. DESIGN - MATERIALS:
 - a. SEE BOM TABLE
3. DESIGN - GEOMETRY:
 - a. THIS IS A 100% CAD GENERATED PART. THE CAD MATHEMATICAL DATA IS THE MASTER FOR THIS PART. FOR DIMENSIONAL OR ANY INFORMATION NOT SHOWN ON THIS DRAWING, ANALYZE THE CAD MODEL.
 - b. GEOMETRIC DIMENSIONS AND TOLERANCES PER ASME Y14.5M - 1994
 - c. EDGES AND UNDIMENSIONED DETAILS PER ISO13715
 - d. CORNERS SHOWN AS SHARP TO BE R 0.2 MAX.
 - e. LETTERING SHALL BE 0.15 MAX RAISED IN 0.25 MAX RECESS PAD. THIS INCLUDES RECYCLING CODE, CAVITY ID, VENDOR IDENTIFICATION, AND CUSTOMER MATERIAL NUMBER.
 - f. VISUAL DEFECTS SHALL MEET COSMETIC STANDARD PS-45499-002 (Class B) CAD MODEL.
 - g. LASER MARKING:
 1. PART NUMBER
 2. DAY OF THE YEAR
 3. SHIFT
 4. YEAR

INSPECTION BALLOON NUMBER LOG	
PER DRAWING REVISION: B12	
LAST BALLOON NUMBER USED: WDC2-10	
ADDED BALLON NUMBERS: WDC2-1 - WDC2-10	
REMOVED BALLON NUMBERS:	

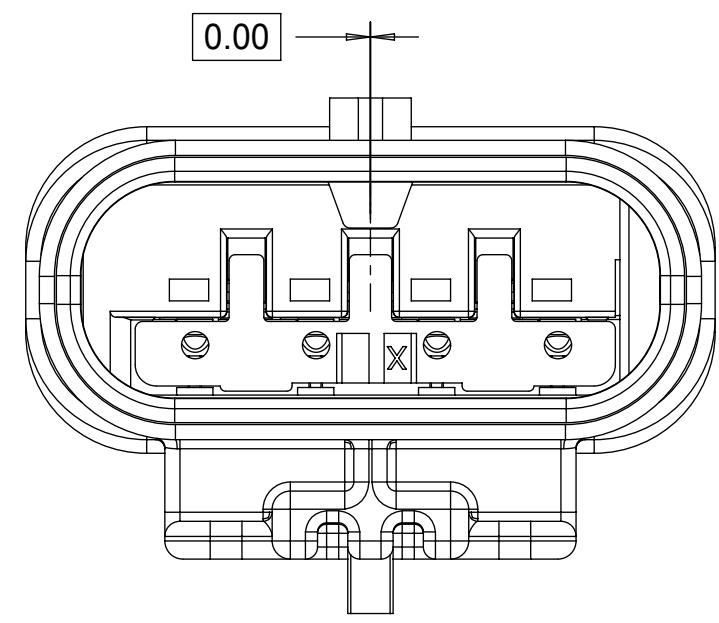
B16	NX-REMASTERING FROM MODEL MANAGER CHANGED PN STATUSES TO OBSOLETE
B15	UPDATED BALLOONS 2-1 & 2-2 ON SHEET 7
B14	UPDATED PARTS TO SALEABLE
B13	RELEASED PRIMARY KEYS NON-SIR SALEABLE
B12	UPDATED PLR LOCK UP GEOMETRY
B11	UPDATED WDC INTERFACE PART# TO TOOLED BUT NOT VALIDATED
B10	UPDATED TOLERANCES WDC FEATURES
B9	1X4, 1X6 PART # WIRE DRESS COVER INTERFACE FEATURES OK TO TOOL
B8	1X4 40G CLIP-SLOT OK TO TOOL
B7	1X4 PART # UPDATED TO "TOOLED BUT NOT VALIDATED"
B6	ADDED 40G CLIP-SLOT PART NUMBERS
B5	BOM CORRECTIONS AND UPDATES
B4	BOM CORRECTIONS AND UPDATES
B3	1x4, 1x6 NON-SIR PART# OK TO TOOL
B2	1x6 11mm CLIP SLOT PART # OK TO TOOL
B1	1x6 11mm CLIP SLOT PART NUMBERS ADDED
B	ADDED 1x4 INFORMATION
A	OK TO TOOL
REV	DESCRIPTION

THIS DRAWING CONTAINS INFORMATION THAT IS PROPRIETARY TO MOLEX ELECTRONIC TECHNOLOGIES, LLC AND SHOULD NOT BE USED WITHOUT WRITTEN PERMISSION										
QUALITY SYMBOLS	EC NO: 639764 DRWN: VYARAPPA CHKD: KBORUSZEWSKI REV APPR: KBORUSZEWSKI	GENERAL TOLERANCES (UNLESS SPECIFIED)		DIMENSION UNITS	SCALE					
		4 PLACES ±		mm	4:1					
□ = 0 ▽ = 0 ▽ = 0 ▽ = 0 ▽ = 0 ▽ = 0 ▽ = 0 ▽ = 0 ▽ = 0	2017/05/08 2020/06/23 2020/06/23	ANGULAR TOL ± 3.0 °		DRWN BY	DATE	1.2MM 1X4, 1X6 BLADE SEALED ASSEMBLY CABLE SEAL 639764 - REMOVED CPA3 AND REPLACED WITH CPA2 AGAIN				
		3 PLACES ±		MVANSLAMBROU	2012/07/13					
▽ = 0 ▽ = 0 ▽ = 0 ▽ = 0 ▽ = 0 ▽ = 0 ▽ = 0 ▽ = 0 ▽ = 0	2020/06/23 2020/06/23	2 PLACES ± 0.1		CHKD BY	DATE	PRODUCT CUSTOMER DRAWING				
		1 PLACE ± 0.2		VKOSHY	2012/07/19					
▽ = 0 ▽ = 0 ▽ = 0 ▽ = 0 ▽ = 0 ▽ = 0 ▽ = 0 ▽ = 0 ▽ = 0	2020/06/23 2020/06/23	0 PLACES ± 0.5		APPR BY	DATE	SERIES: 34899 MATERIAL NUMBER: SEE BOM CUSTOMER: GENERAL MARKET				
		DRAFT WHERE APPLICABLE MUST REMAIN WITHIN DIMENSIONS		VKOSHY	2012/07/24					
B16		DRAWING SIZE	THIRD ANGLE PROJECTION	DOCUMENT NUMBER: SD-34899-6001 DOC TYPE: PSD DOC PART: 001 SHEET NUMBER: 1 OF 11						

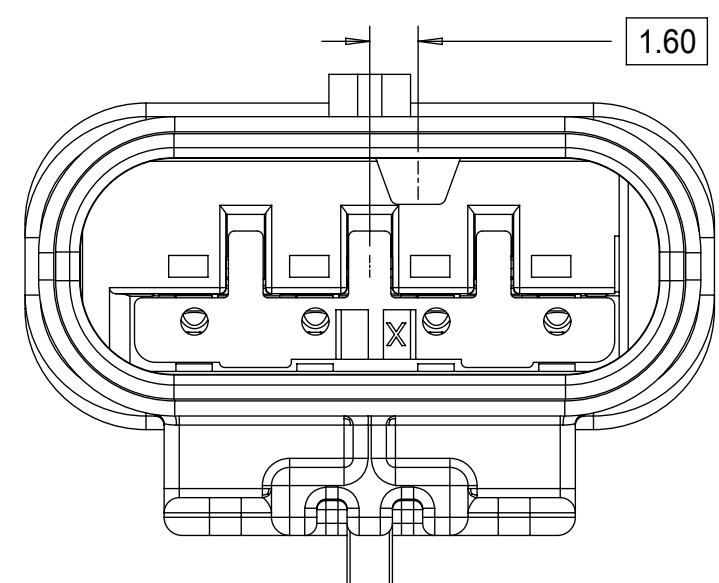
1x4 BLADE SEALED ASSEMBLY KEYING CONFIGURATIONS. FOR PART NUMBERS REFER TO BOM SHEET.



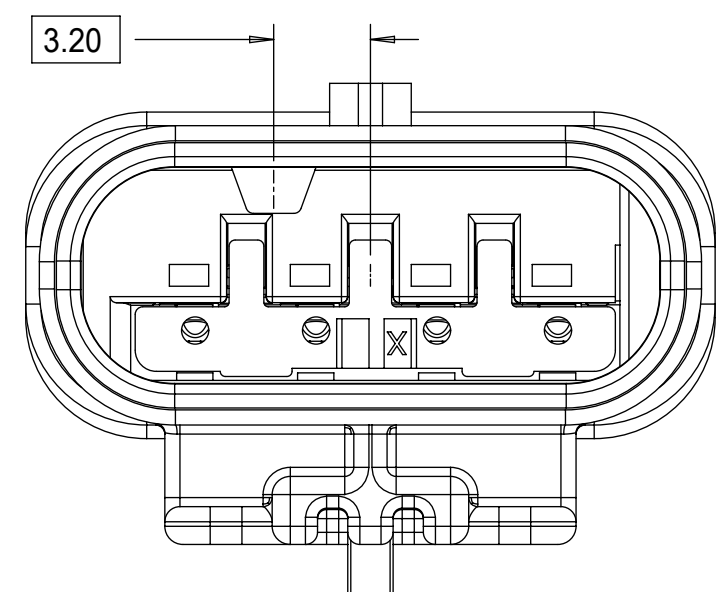
KEYING OPTION A



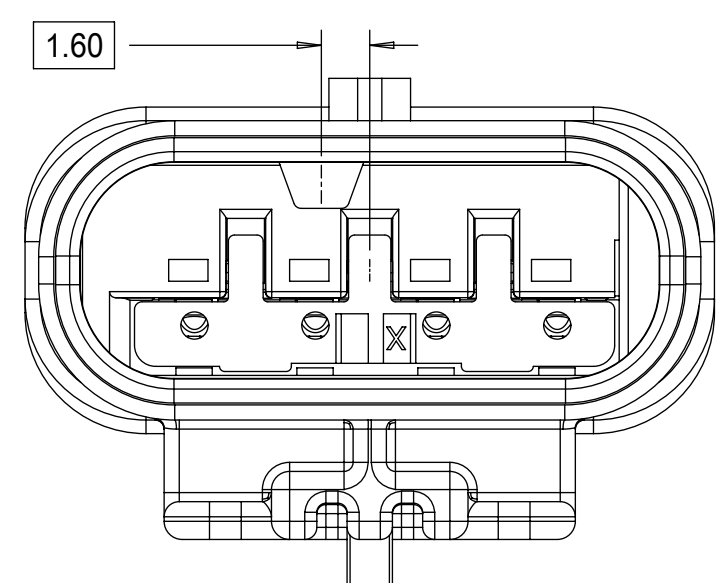
KEYING OPTION F



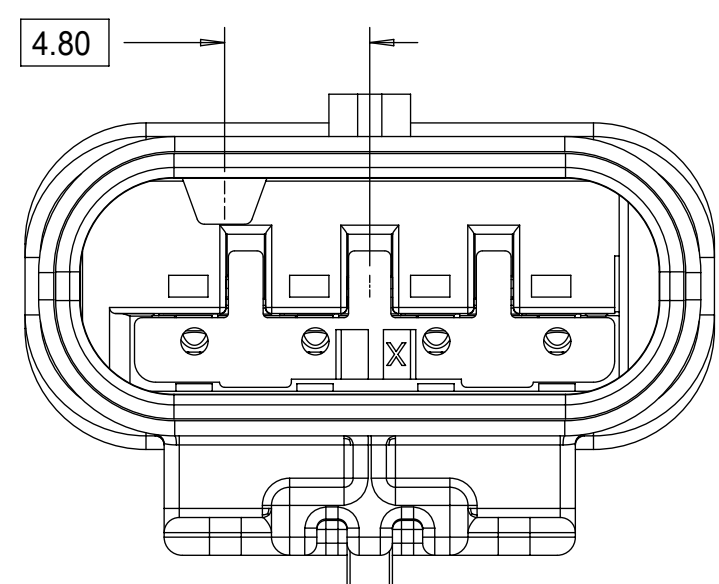
KEYING OPTION B



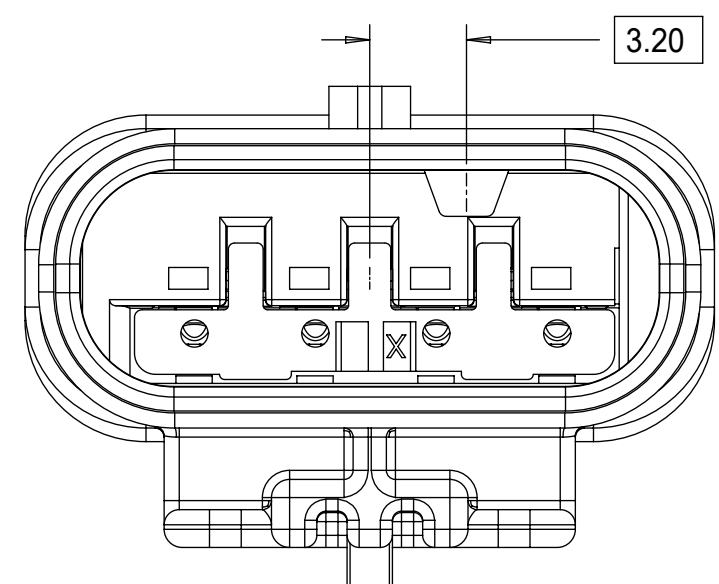
KEYING OPTION G



KEYING OPTION C



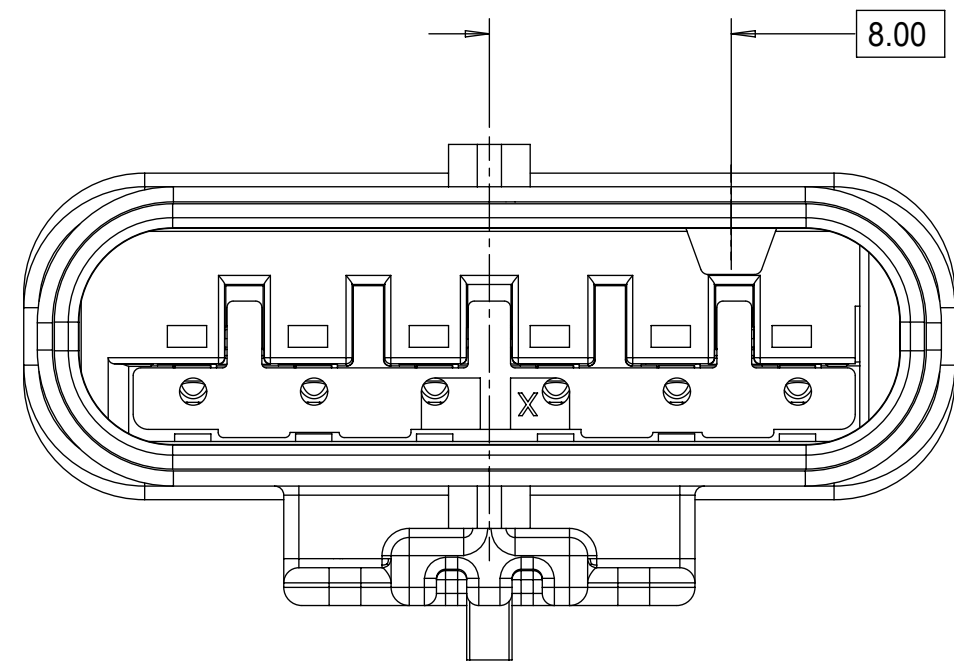
KEYING OPTION D



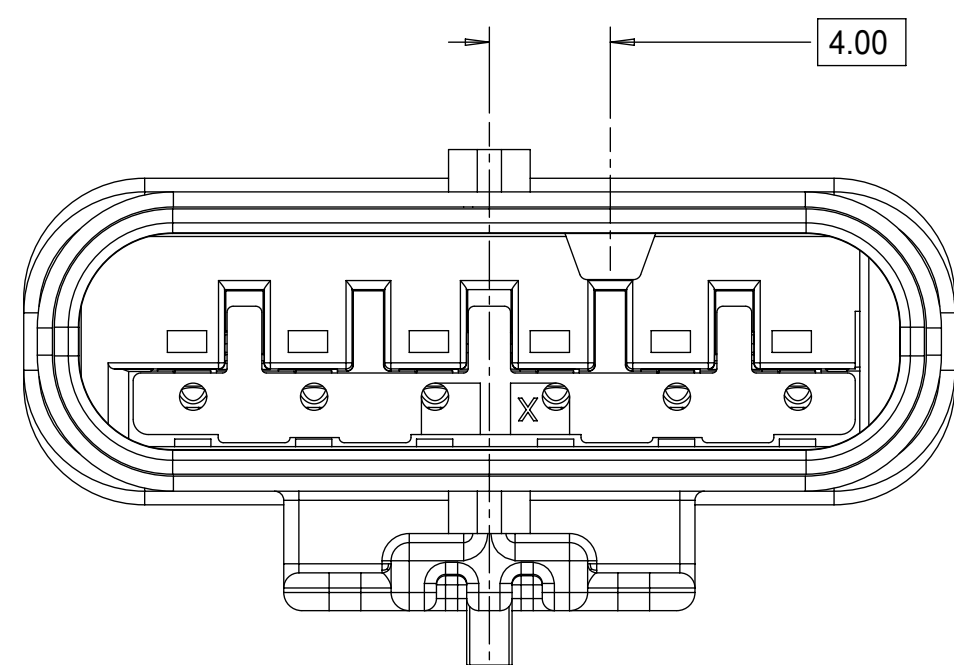
KEYING OPTION E

QUALITY SYMBOLS □ = 0 ▽ = 0 ▽ = 0 ▽ = 0 ▽ = 0 ▽ = 0 ▽ = 0 ▽ = 0 ▽ = 0 ▽ = 0 ▽ = 0	THIS DRAWING CONTAINS INFORMATION THAT IS PROPRIETARY TO MOLEX ELECTRONIC TECHNOLOGIES, LLC AND SHOULD NOT BE USED WITHOUT WRITTEN PERMISSION									
	EC NO: 639764	2017/05/08	GENERAL TOLERANCES (UNLESS SPECIFIED)		DIMENSION UNITS	SCALE				
	DRWN: VYARAPPA	2020/06/23	ANGULAR TOL ± 3.0 °		mm	4:1				
	CHKD: KBORUSZEWSKI	2020/06/23	4 PLACES ±	DRWN BY	DATE	1.2MM 1X4, 1X6 BLADE SEALED ASSEMBLY CABLE SEAL 639764 - REMOVED CPA3 AND REPLACED WITH CPA2 AGAIN				
	REV APPR: KBORUSZEWSKI	2020/06/23	3 PLACES ±	MVANSLAMBROU	2012/07/13					
			2 PLACES ± 0.1	CHKD BY	DATE	PRODUCT CUSTOMER DRAWING				
			1 PLACE ± 0.2	VKOSHY	2012/07/19					
			0 PLACES ± 0.5	APPR BY	DATE	SERIES MATERIAL NUMBER CUSTOMER 34899 SEE BOM GENERAL MARKET				
			DRAFT WHERE APPLICABLE MUST REMAIN WITHIN DIMENSIONS	VKOSHY	2012/07/24					
				DRAWING SIZE	THIRD ANGLE PROJECTION	DOCUMENT NUMBER DOC TYPE DOC PART SHEET NUMBER SD-34899-6001 PSD 001 2 OF 11				
			D							

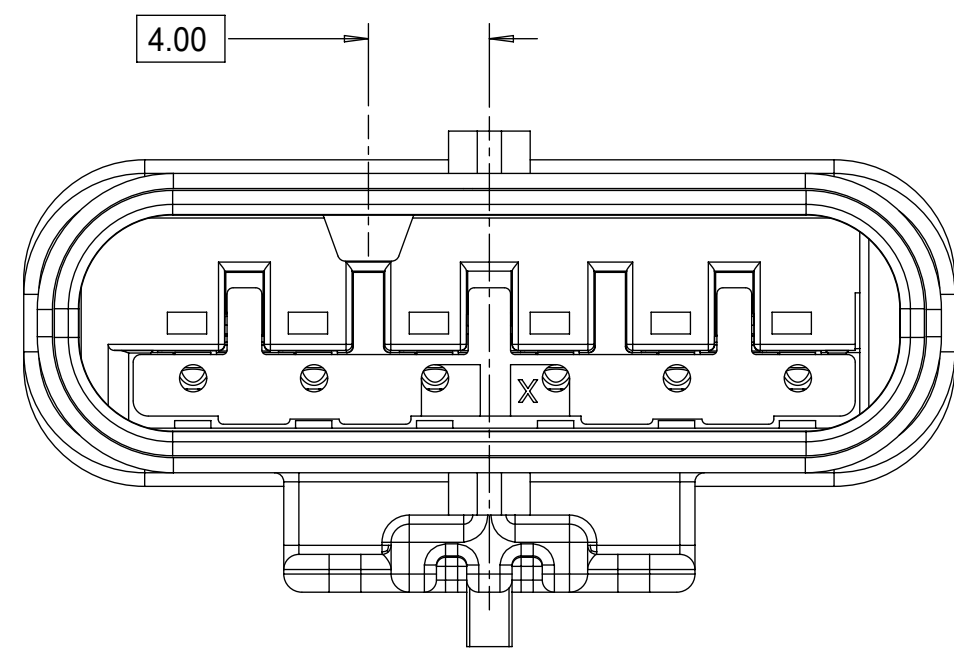
1x6 BLADE SEALED ASSEMBLY KEYING CONFIGURATIONS. FOR PART NUMBERS REFER TO BOM SHEET.



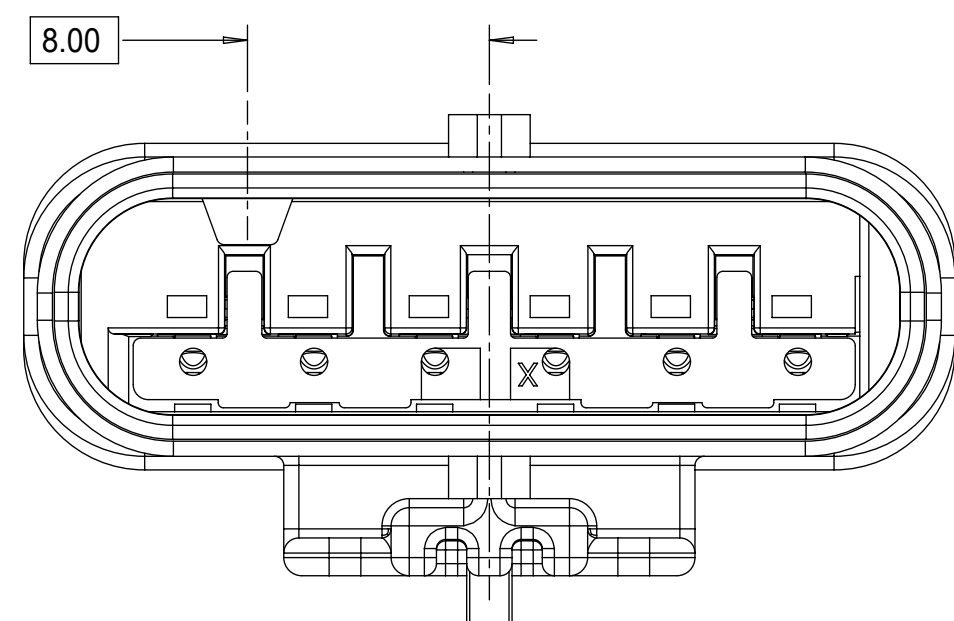
KEYING OPTION A



KEYING OPTION B



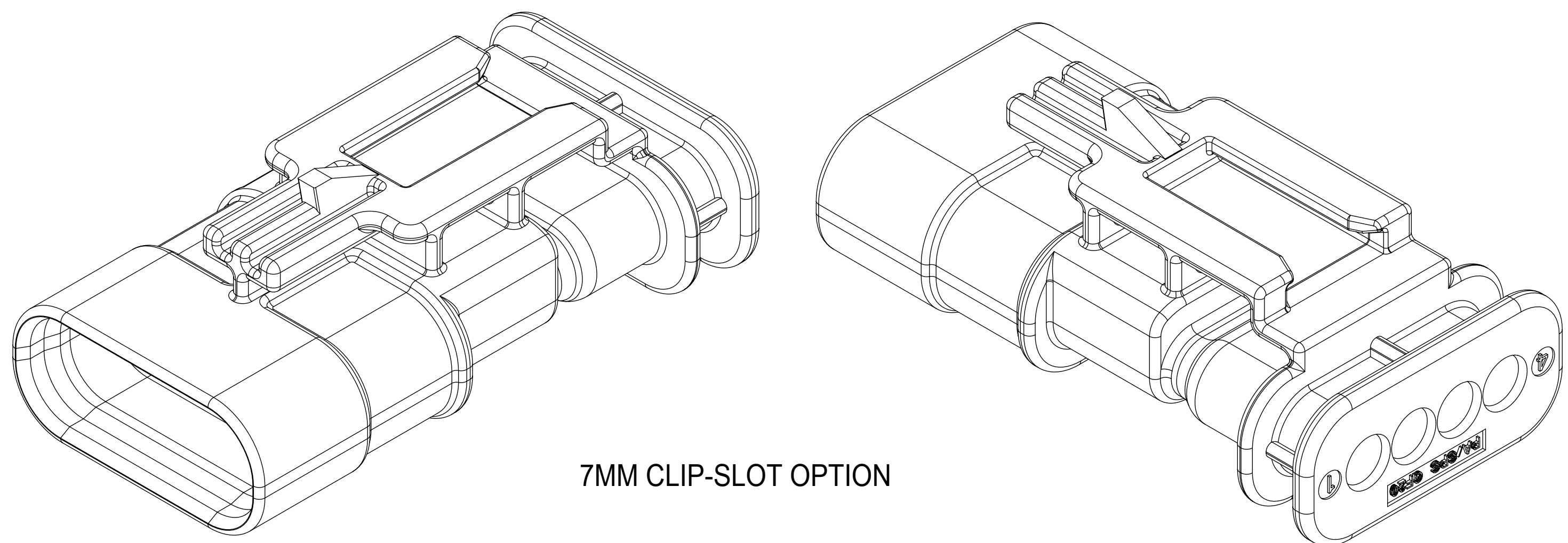
KEYING OPTION C



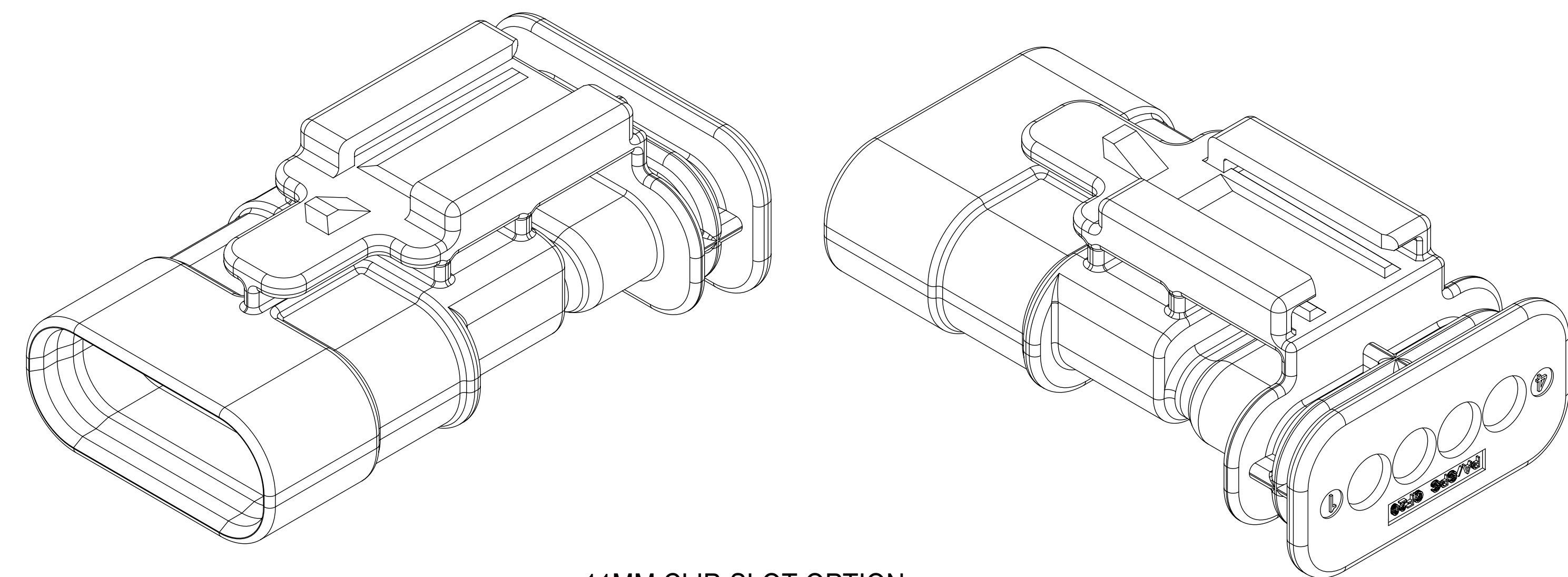
KEYING OPTION D

QUALITY SYMBOLS ▽ = 0 ▽ = 0 ▽ = 0 ▽ = 0 ▽ = 0 ▽ = 0 ▽ = 0 ▽ = 0 ▽ = 0		THIS DRAWING CONTAINS INFORMATION THAT IS PROPRIETARY TO MOLEX ELECTRONIC TECHNOLOGIES, LLC AND SHOULD NOT BE USED WITHOUT WRITTEN PERMISSION		GENERAL TOLERANCES (UNLESS SPECIFIED) ANGULAR TOL ± 3.0 ° 4 PLACES ± 3 PLACES ± 2 PLACES ± 0.1 1 PLACE ± 0.2 0 PLACES ± 0.5 DRAFT WHERE APPLICABLE MUST REMAIN WITHIN DIMENSIONS		DIMENSION UNITS: mm SCALE: 4:1 DRWN BY: MVANSLAMBROU DATE: 2012/07/13 CHKD BY: VKOSHY DATE: 2012/07/19 APPR BY: VKOSHY DATE: 2012/07/24 DRAWING SIZE: D THIRD ANGLE PROJECTION		molex 1.2MM 1X4, 1X6 BLADE SEALED ASSEMBLY CABLE SEAL 639764 - REMOVED CPA3 AND REPLACED WITH CPA2 AGAIN PRODUCT CUSTOMER DRAWING SERIES: 34899 MATERIAL NUMBER: SEE BOM CUSTOMER: GENERAL MARKET	
EC NO: 639764 DRWN: VYARAPPA CHKD: KBORUSZEWSKI REV: APPR: KBORUSZEWSKI		2017/05/08 2020/06/23 2020/06/23		B16		D		DOCUMENT NUMBER: SD-34899-6001 DOC TYPE: PSD DOC PART: 001 SHEET NUMBER: 3 OF 11	

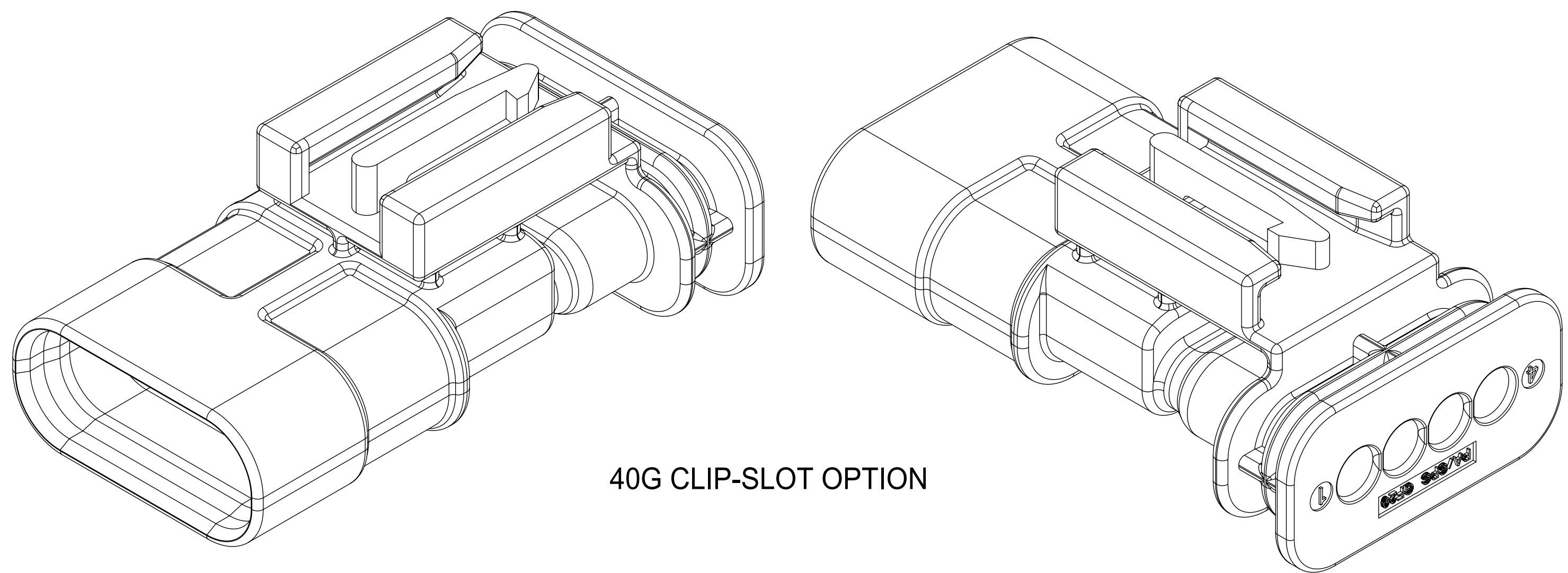
CLIP-SLOT CONFIGURATIONS. FOR PART NUMBERS REFER TO BOM SHEET.



7MM CLIP-SLOT OPTION



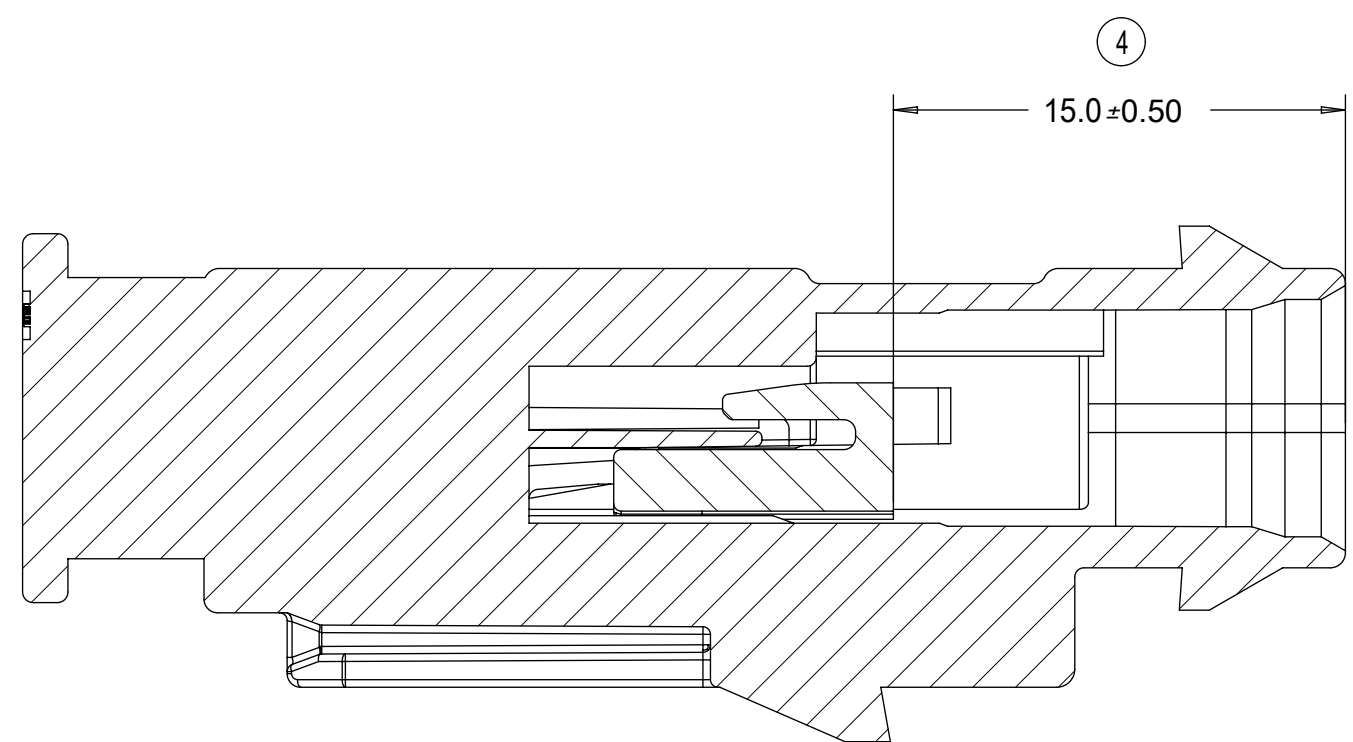
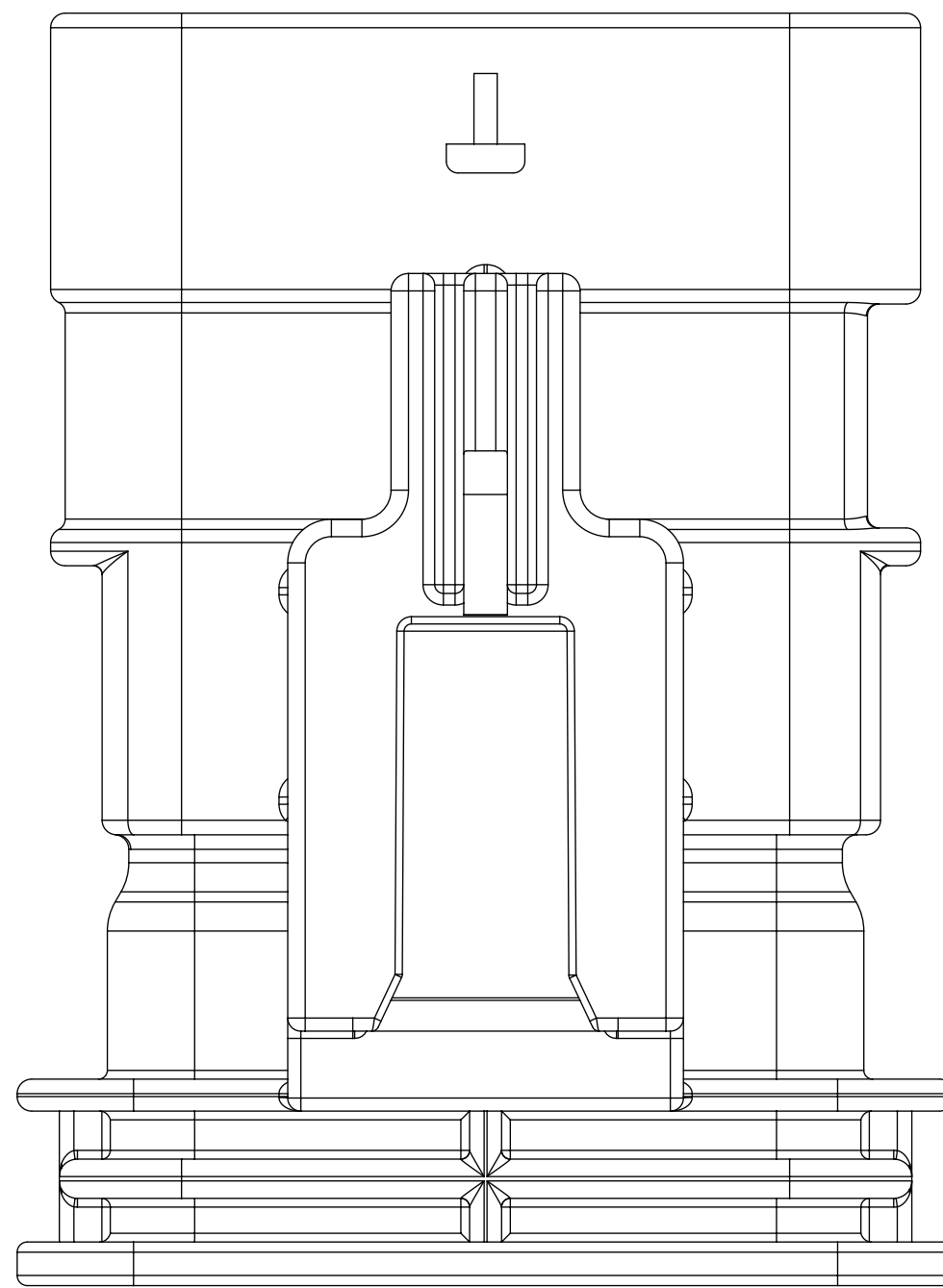
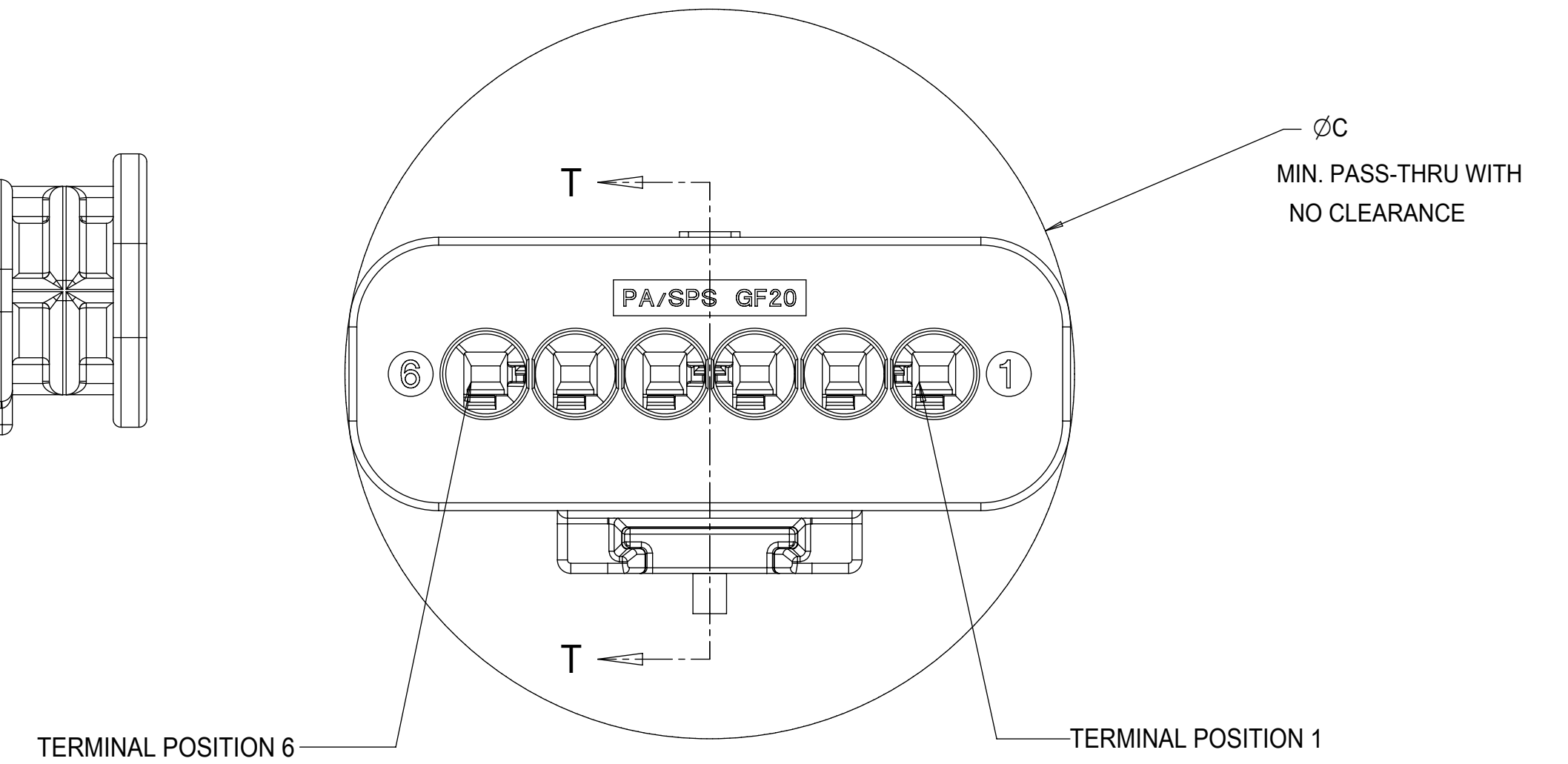
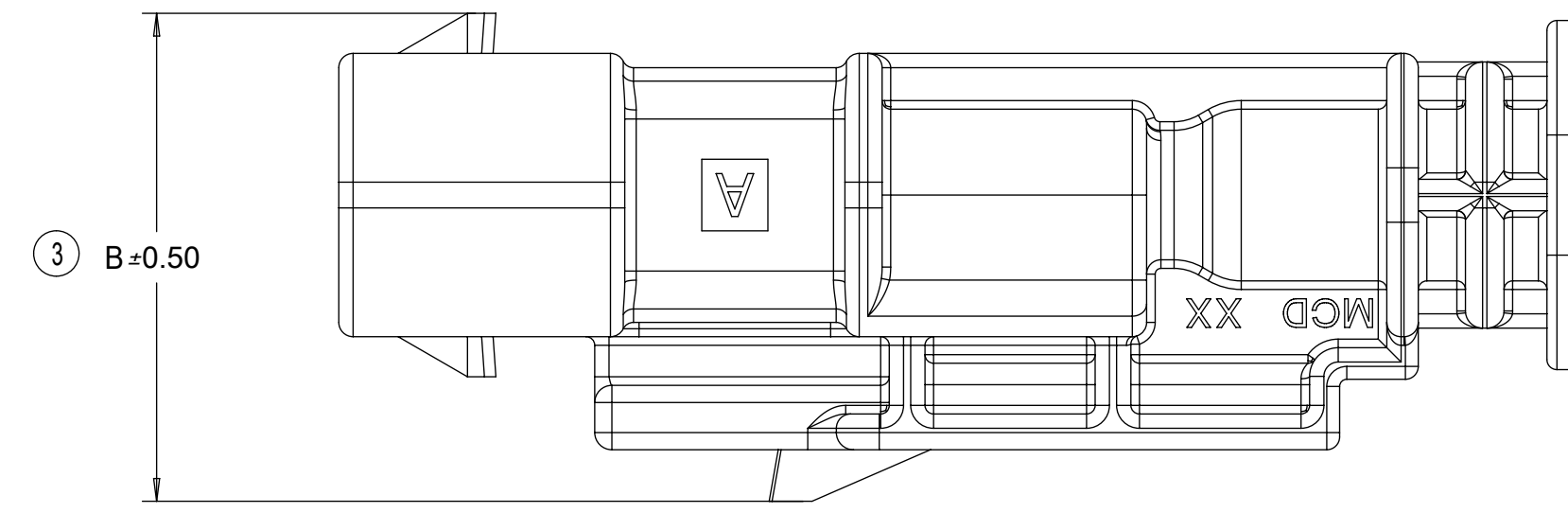
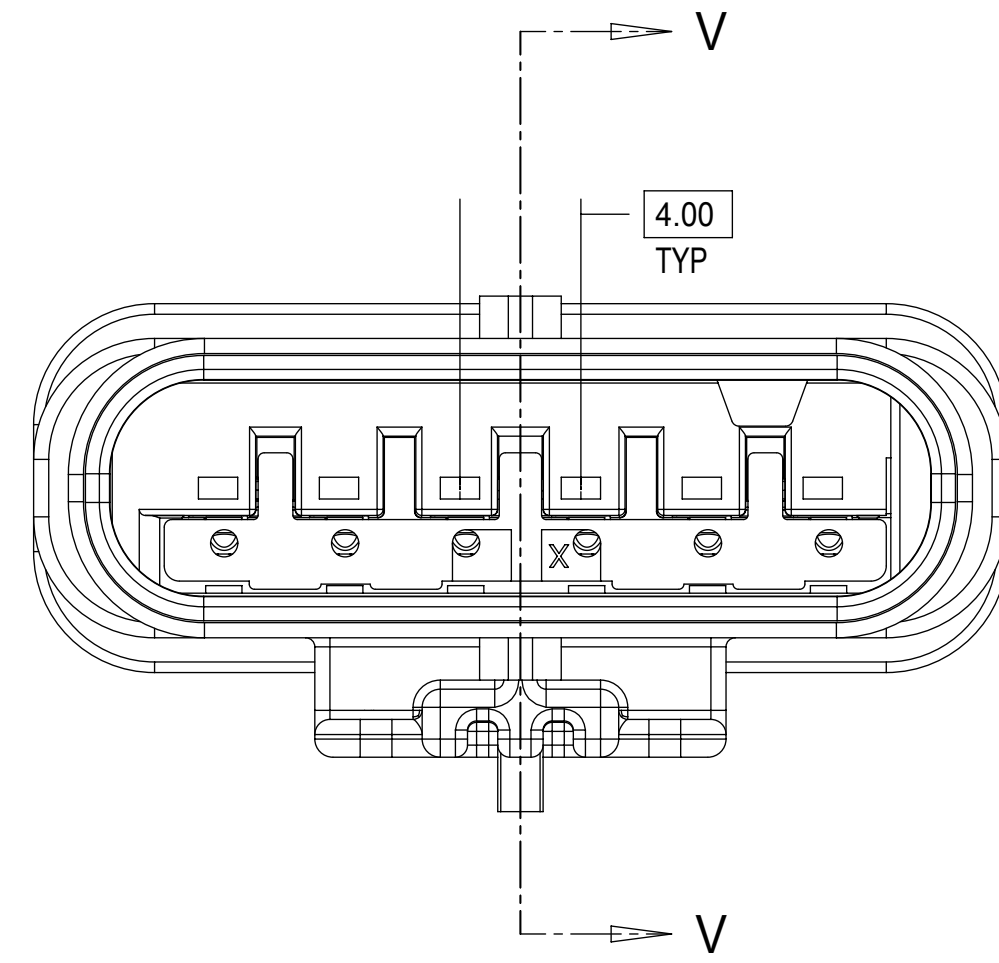
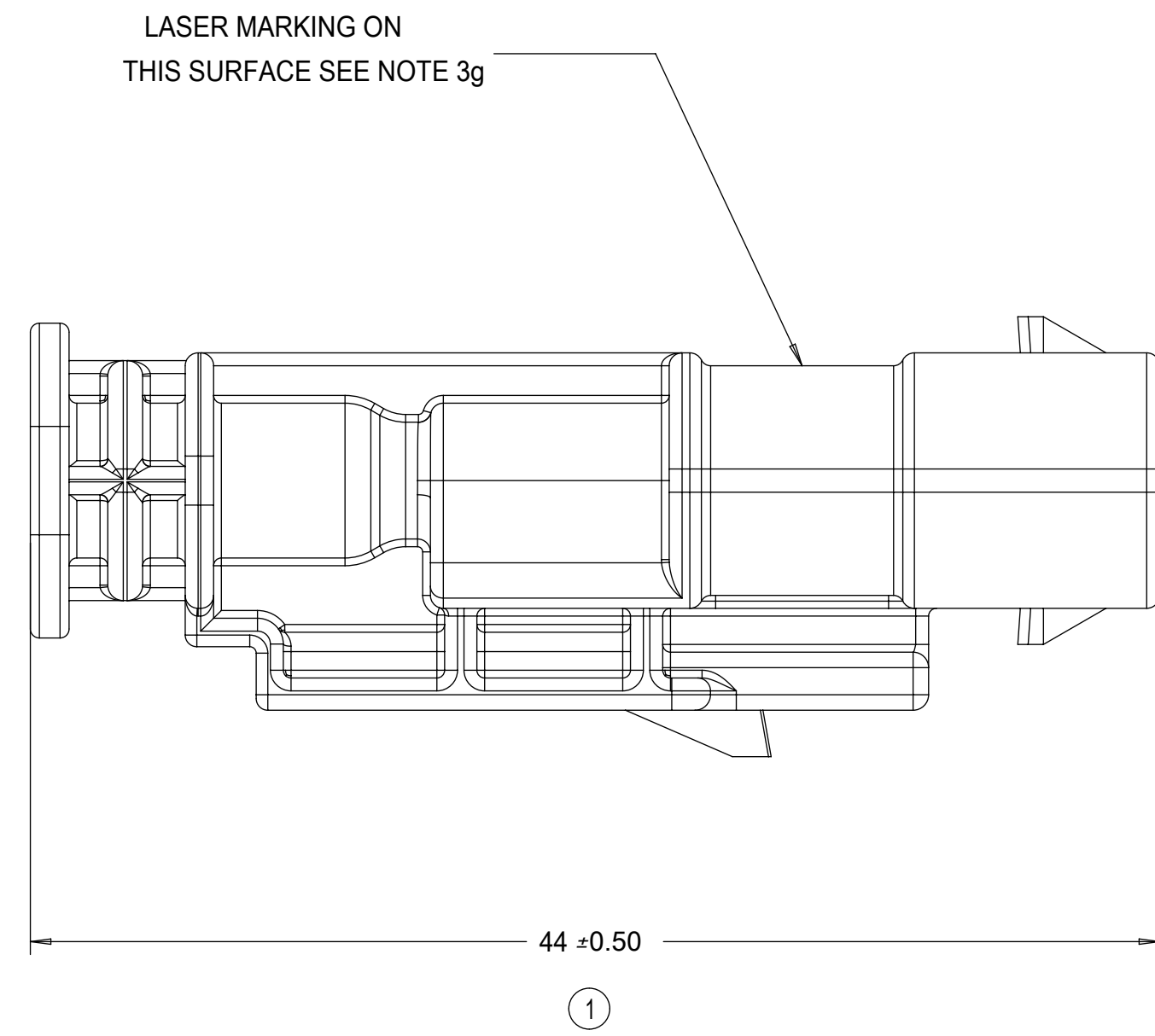
11MM CLIP-SLOT OPTION



40G CLIP-SLOT OPTION

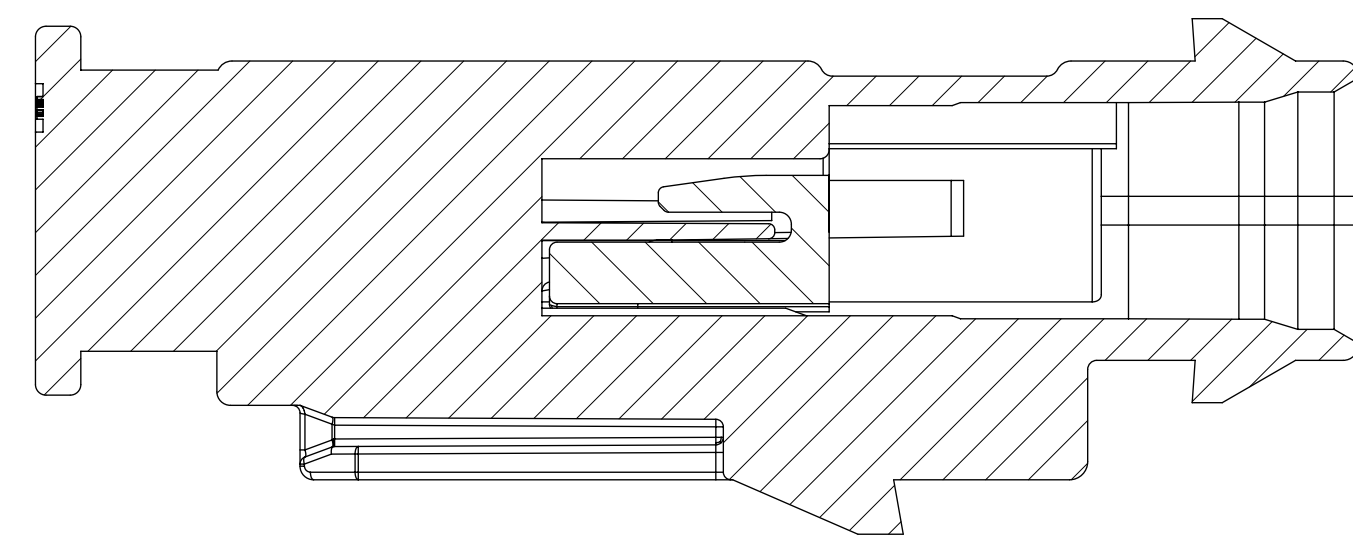
THIS DRAWING CONTAINS INFORMATION THAT IS PROPRIETARY TO MOLEX ELECTRONIC TECHNOLOGIES, LLC AND SHOULD NOT BE USED WITHOUT WRITTEN PERMISSION												
QUALITY SYMBOLS □ = 0 ▽ = 0 ▽ = 0 ▽ = 0 ▽ = 0 ▽ = 0 ▽ = 0 ▽ = 0 ▽ = 0 ▽ = 0 ▽ = 0	EC NO: 639764	2017/05/08	GENERAL TOLERANCES (UNLESS SPECIFIED)		DIMENSION UNITS	SCALE						
	DRWN: VYARAPPA	2020/06/23	ANGULAR TOL ± 3.0 °		mm	4:1						
	CHKD: KBORUSZEWSKI	2020/06/23	4 PLACES ±	DRWN BY	DATE	MVANSLAMBROU	2012/07/13	1.2MM 1X4, 1X6 BLADE SEALED ASSEMBLY CABLE SEAL 639764 - REMOVED CPA3 AND REPLACED WITH CPA2 AGAIN				
	REV APPR: KBORUSZEWSKI	2020/06/23	3 PLACES ±	CHKD BY	DATE	VKOSHY	2012/07/19					
			2 PLACES ± 0.1	APPR BY	DATE	VKOSHY	2012/07/24	PRODUCT CUSTOMER DRAWING				
			1 PLACE ± 0.2	DRAWING SIZE	THIRD ANGLE PROJECTION	D						
			0 PLACES ± 0.5	SERIES	MATERIAL NUMBER	CUSTOMER	34899	SEE BOM	GENERAL MARKET			
			DRAFT WHERE APPLICABLE MUST REMAIN WITHIN DIMENSIONS	DOCUMENT NUMBER	DOC TYPE	DOC PART	SHEET NUMBER	SD-34899-6001	PSD	001	4 OF 11	
				RELEASE STATUS	P1	RELEASE DATE	2020/06/23	16:54:52				

BLADE SEALED ASSEMBLY



SECTION V-V

PRIMARY LOCK REINFORCEMENT (PLR) SHOWN IN THE PRE-STAGED POSITION



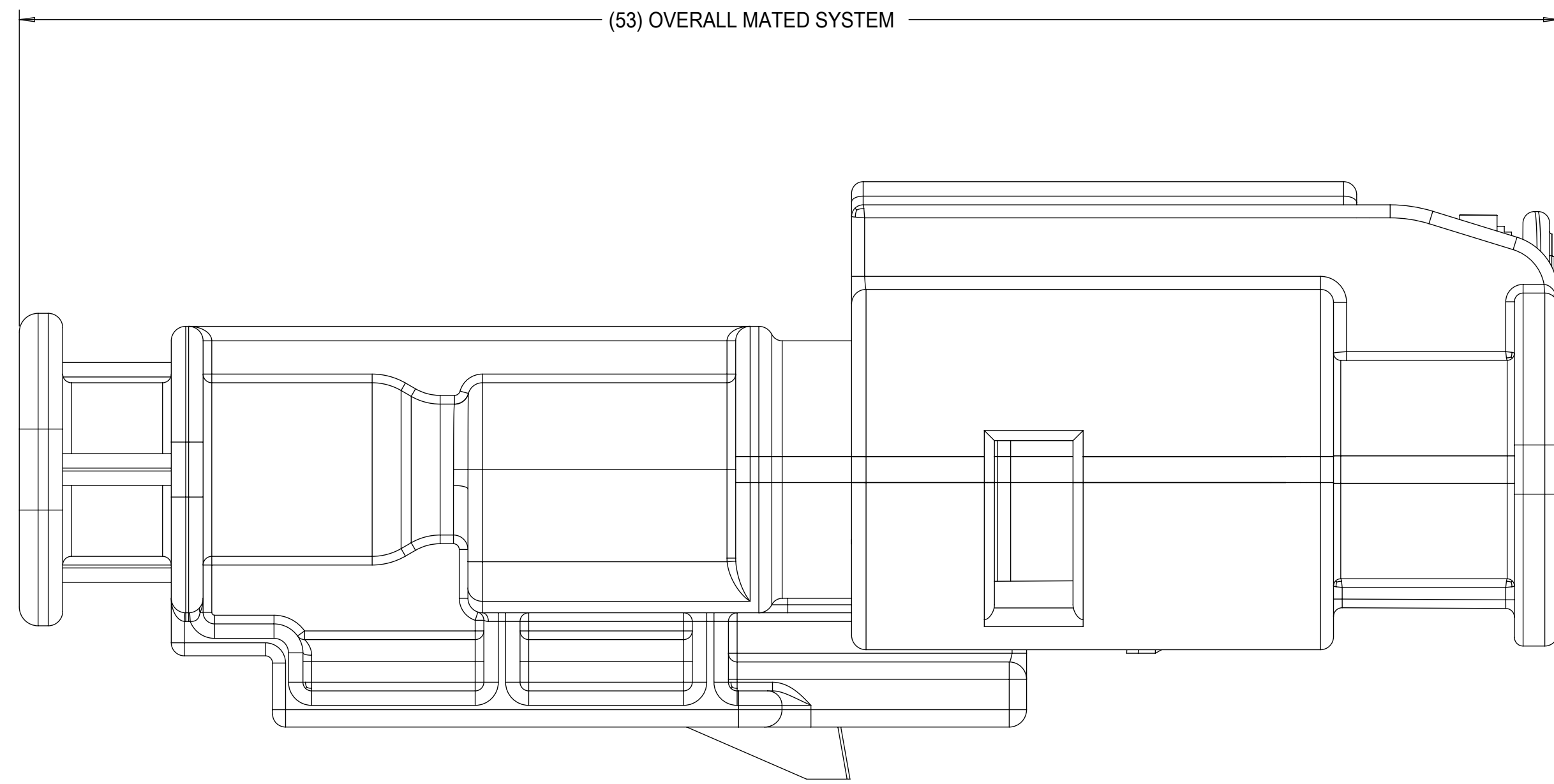
SECTION T-T

PRIMARY LOCK REINFORCEMENT (PLR) SHOWN IN THE FINAL-LOCK POSITION

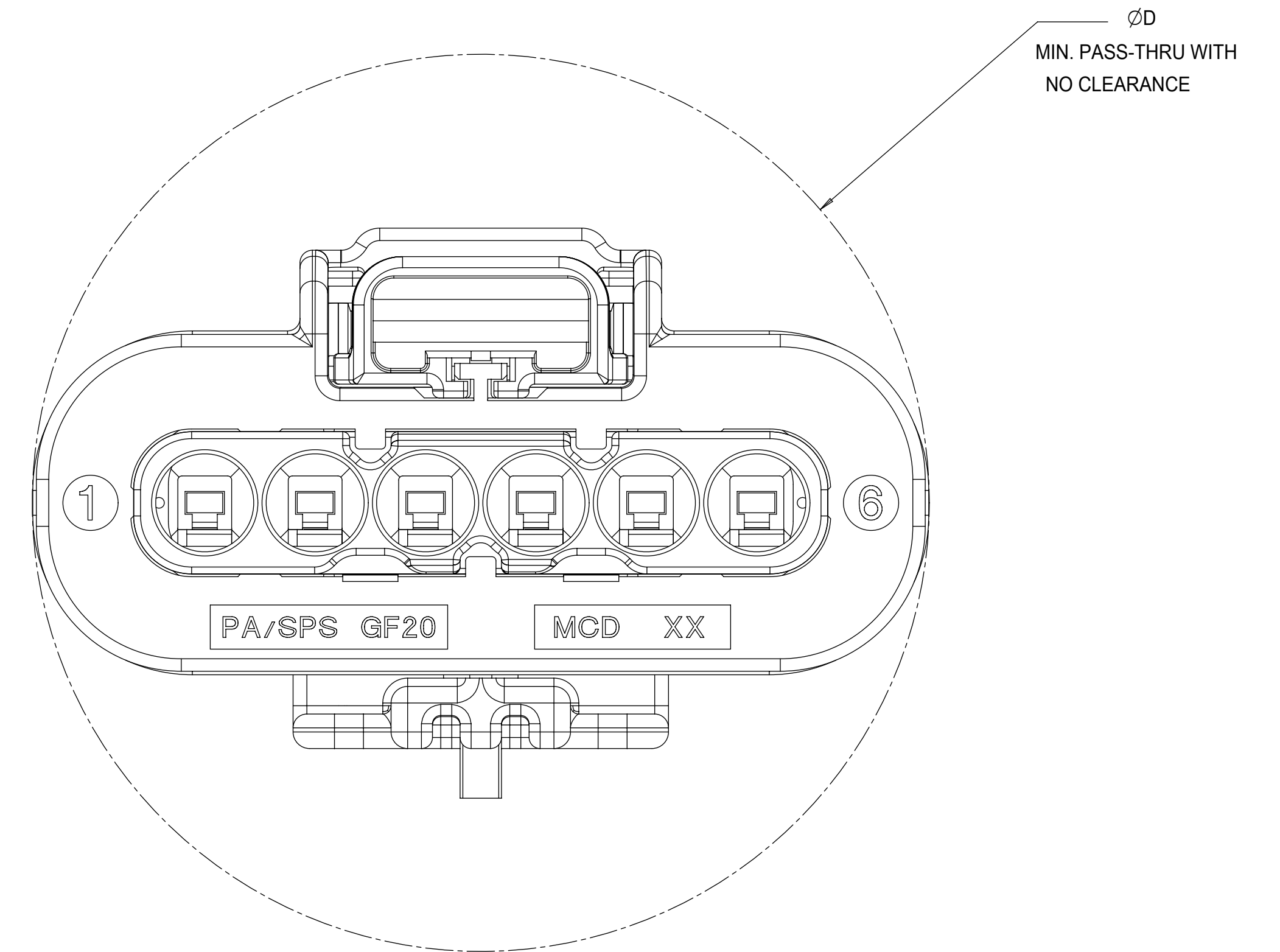
1x6 BLADE SEALED ASSEMBLY, 40G CLIP SLOT	17.5	32.75
1x6 BLADE SEALED ASSEMBLY, 11mm CLIP SLOT	16	32.75
1x6 BLADE SEALED ASSEMBLY, 7mm CLIP SLOT	17.25	32.75
1x4 BLADE SEALED ASSEMBLY, 40G CLIP SLOT	17.5	25.25
1x4 BLADE SEALED ASSEMBLY, 11mm CLIP SLOT	16	24.75
1x4 BLADE SEALED ASSEMBLY, 7mm CLIP SLOT	17.25	24.75
CONFIGURATION	B	C
CHARTED DIMENSIONS		

QUALITY SYMBOLS	THIS DRAWING CONTAINS INFORMATION THAT IS PROPRIETARY TO MOLEX ELECTRONIC TECHNOLOGIES, LLC AND SHOULD NOT BE USED WITHOUT WRITTEN PERMISSION		DIMENSION UNITS	SCALE	molex®		
▽ = 0	2017/05/08	GENERAL TOLERANCES (UNLESS SPECIFIED)	mm	4:1	1.2MM 1X4, 1X6 BLADE SEALED ASSEMBLY CABLE SEAL 639764 - REMOVED CPA3 AND REPLACED WITH CPA2 AGAIN		
▽ = 0	2020/06/23	ANGULAR TOL ± 3.0 °	DRWN BY	DATE			
▽ = 0	2020/06/23	4 PLACES ±	MVANSLAMBROU	2012/07/13	PRODUCT CUSTOMER DRAWING		
▽ = 0		3 PLACES ±	CHKD BY	DATE			
▽ = 0		2 PLACES ± 0.1	VKOSHY	2012/07/19	SERIES MATERIAL NUMBER CUSTOMER		
▽ = 0		1 PLACE ± 0.2	APPR BY	DATE			
▽ = 0		0 PLACES ± 0.5	VKOSHY	2012/07/24	34899	SEE BOM	GENERAL MARKET
▽ = 0		DRAFT WHERE APPLICABLE MUST REMAIN WITHIN DIMENSIONS	DRAWING SIZE	THIRD ANGLE PROJECTION	DOCUMENT NUMBER	DOC TYPE	DOC PART SHEET NUMBER
▽ = 0			D		SD-34899-6001	PSD	001 5 OF 11

CONNECTION SYSTEM PACKAGING

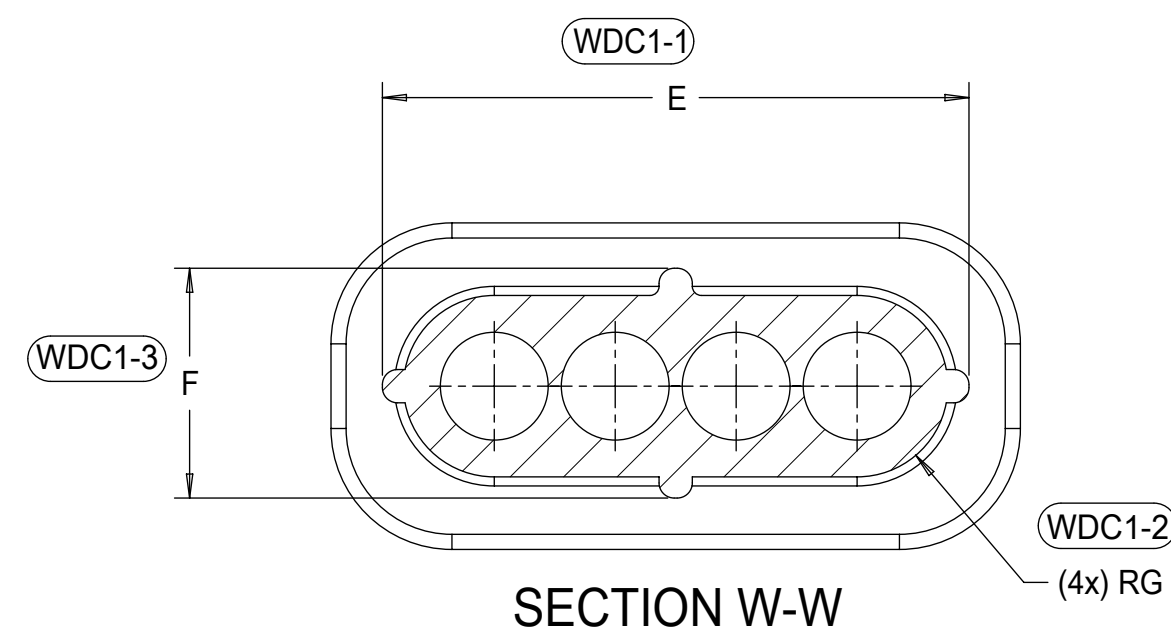


MODEL USED "AM-120-S-006-1-Z01"

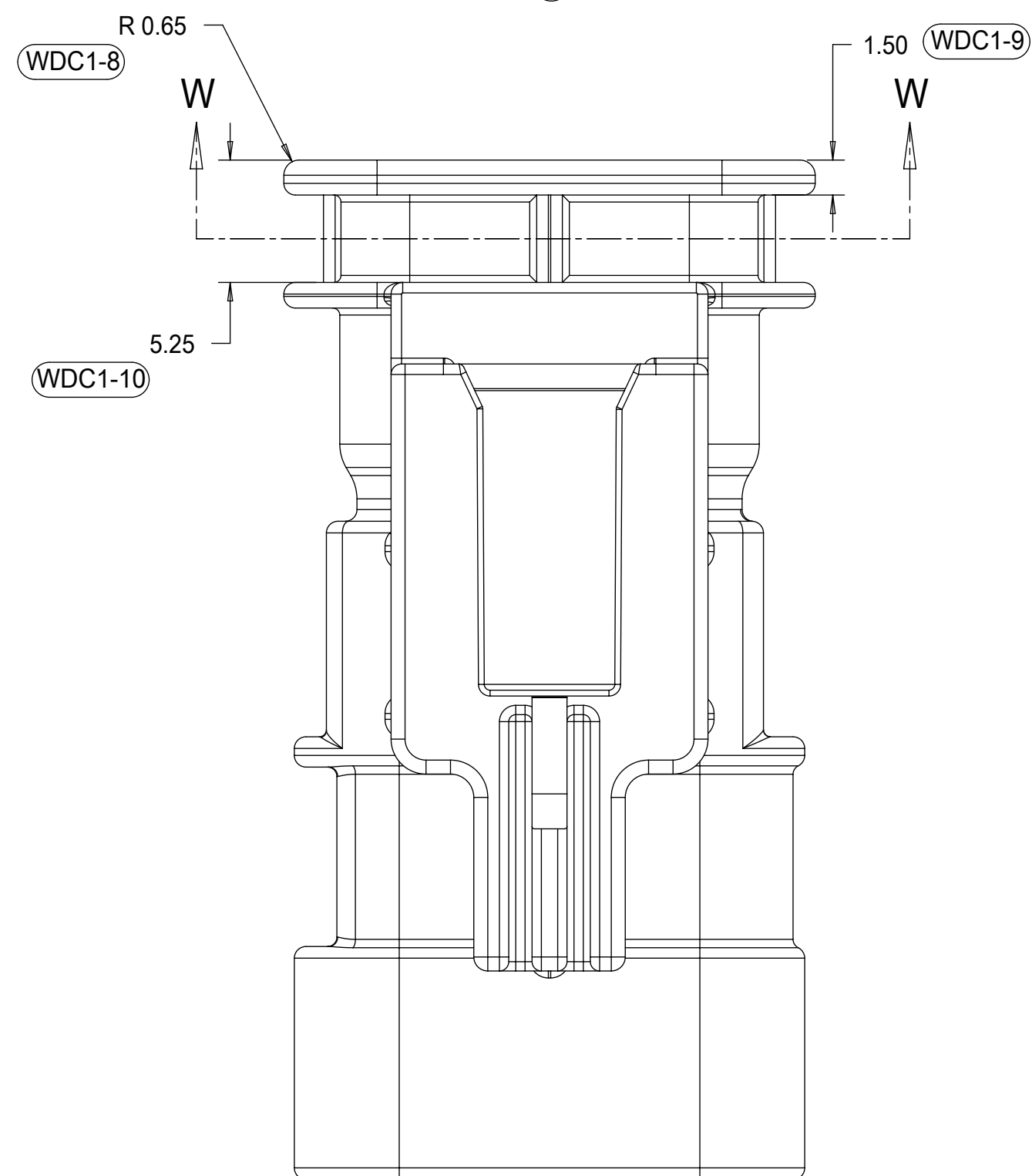
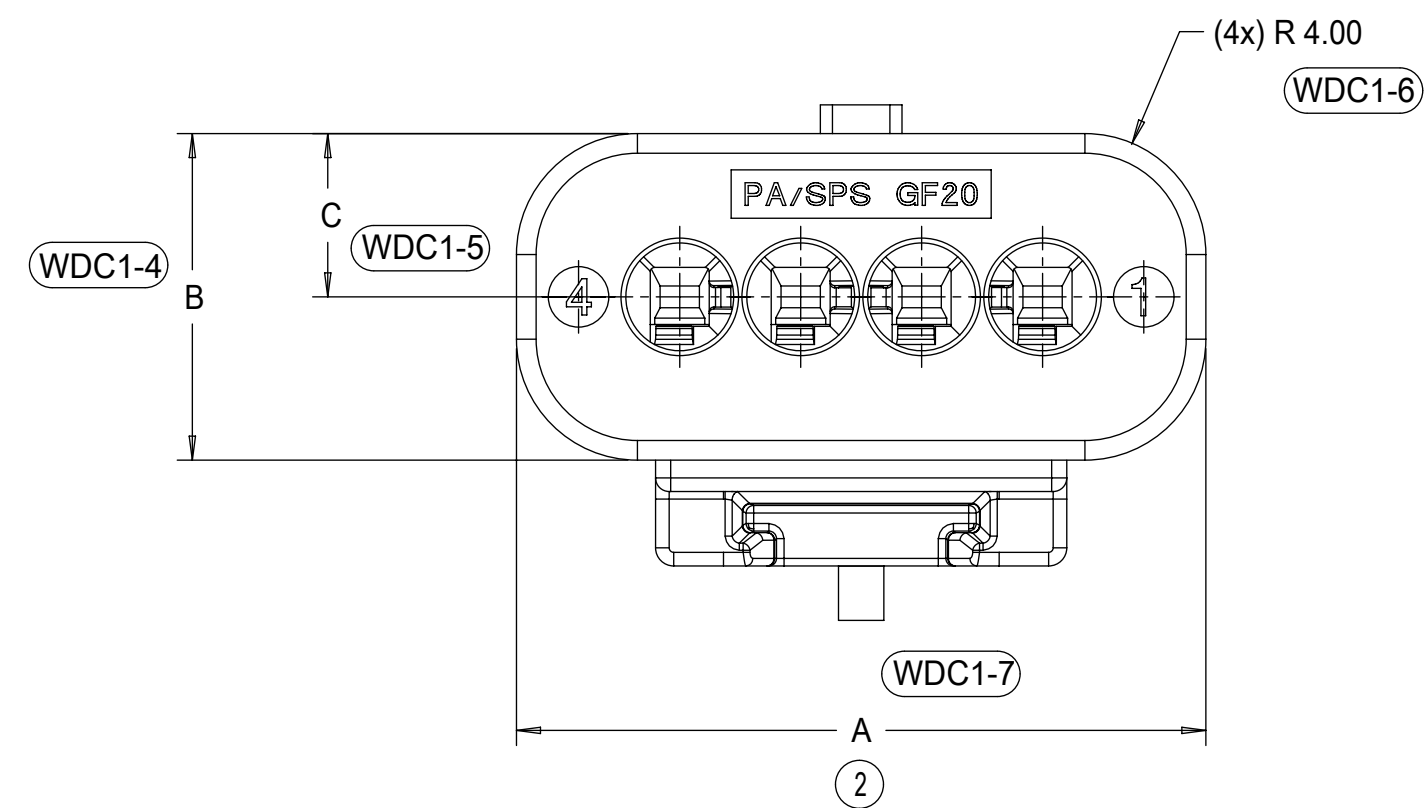


1x6 RECEPTACLE MATED TO 1x6 BLADE, 40 CLIP SLOT	TBD
1x6 RECEPTACLE MATED TO 1x6 BLADE, 11mm CLIP SLOT	33.5
1x6 RECEPTACLE MATED TO 1x6 BLADE, 7mm CLIP SLOT	33.5
1x4 RECEPTACLE MATED TO 1x4 BLADE, 40G CLIP SLOT	25.50
1x4 RECEPTACLE MATED TO 1x4 BLADE, 11mm CLIP SLOT	25.50
1x4 RECEPTACLE MATED TO 1x4 BLADE, 7mm CLIP SLOT	25.50
1.2mm CONNECTION SYSTEM CONFIGURATION	D
CHARTED DIMENSIONS	

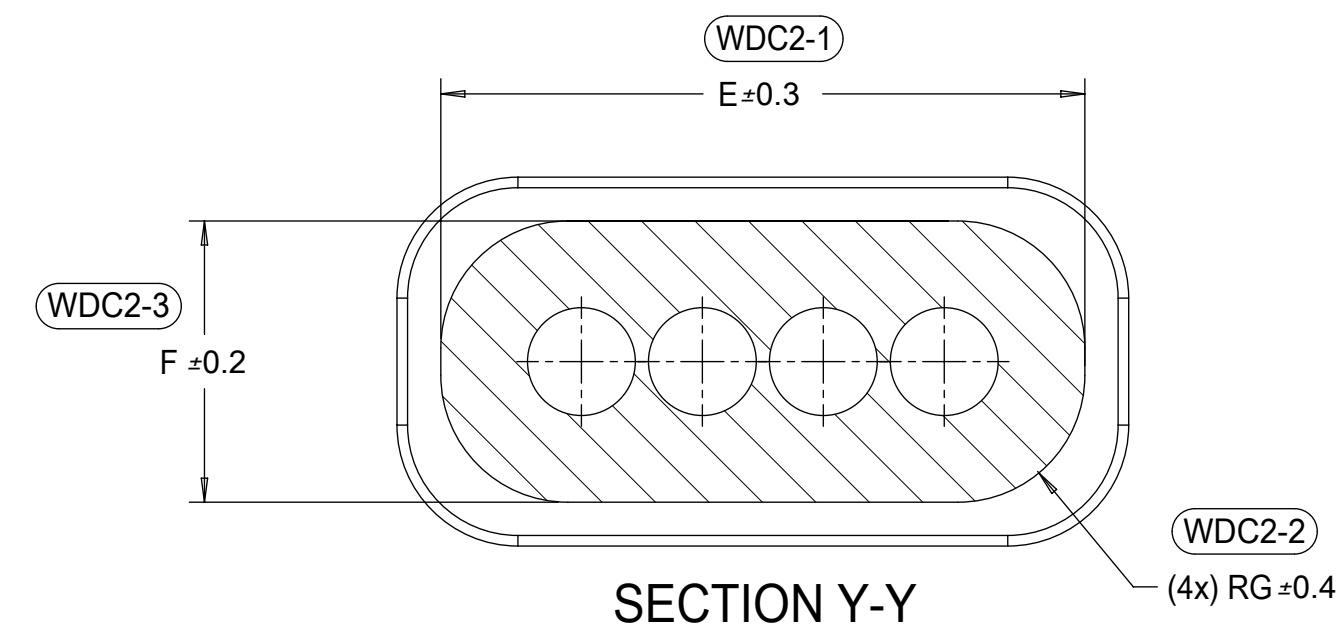
QUALITY SYMBOLS	THIS DRAWING CONTAINS INFORMATION THAT IS PROPRIETARY TO MOLEX ELECTRONIC TECHNOLOGIES, LLC AND SHOULD NOT BE USED WITHOUT WRITTEN PERMISSION		DIMENSION UNITS	SCALE	molex®	
▽ = 0	2017/05/08	GENERAL TOLERANCES (UNLESS SPECIFIED)	mm	6:1	1.2MM 1X4, 1X6 BLADE SEALED ASSEMBLY CABLE SEAL 639764 - REMOVED CPA3 AND REPLACED WITH CPA2 AGAIN	
▽ = 0	2020/06/23	ANGULAR TOL ± 3.0 °	DRWN BY	DATE		
▽ = 0	2020/06/23	4 PLACES ±	MVANSLAMBROU	2012/07/13	PRODUCT CUSTOMER DRAWING	
▽ = 0		3 PLACES ±	CHKD BY	DATE		
▽ = 0		2 PLACES ± 0.1	VKOSHY	2012/07/19	SERIES MATERIAL NUMBER CUSTOMER 34899 SEE BOM GENERAL MARKET	
▽ = 0		1 PLACE ± 0.2	APPR BY	DATE		
▽ = 0		0 PLACES ± 0.5	VKOSHY	2012/07/24	DOCUMENT NUMBER DOC TYPE DOC PART SHEET NUMBER SD-34899-6001 PSD 001 6 OF 11	
▽ = 0		DRAFT WHERE APPLICABLE MUST REMAIN WITHIN DIMENSIONS	DRAWING SIZE	THIRD ANGLE PROJECTION		
▽ = 0			D			



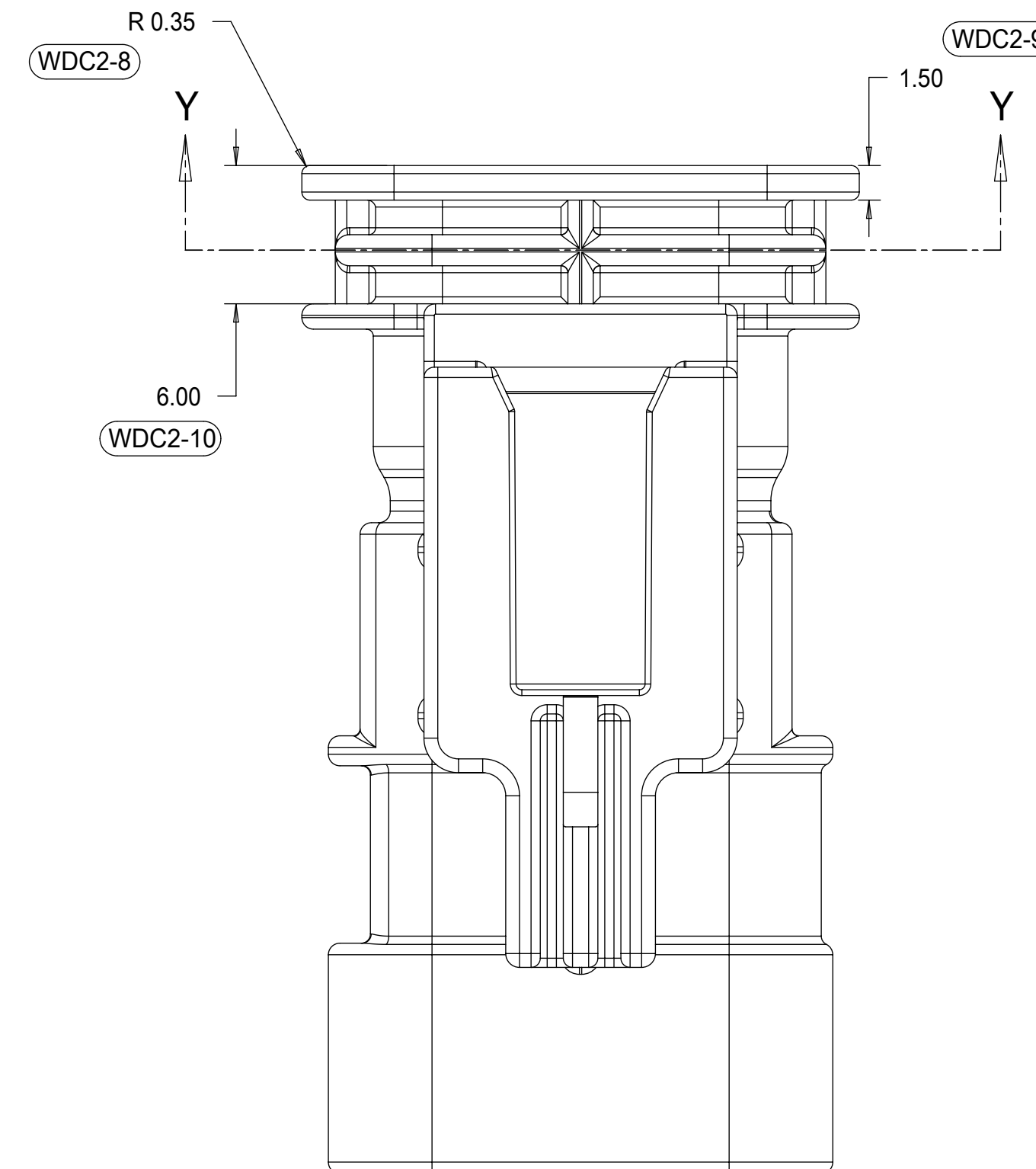
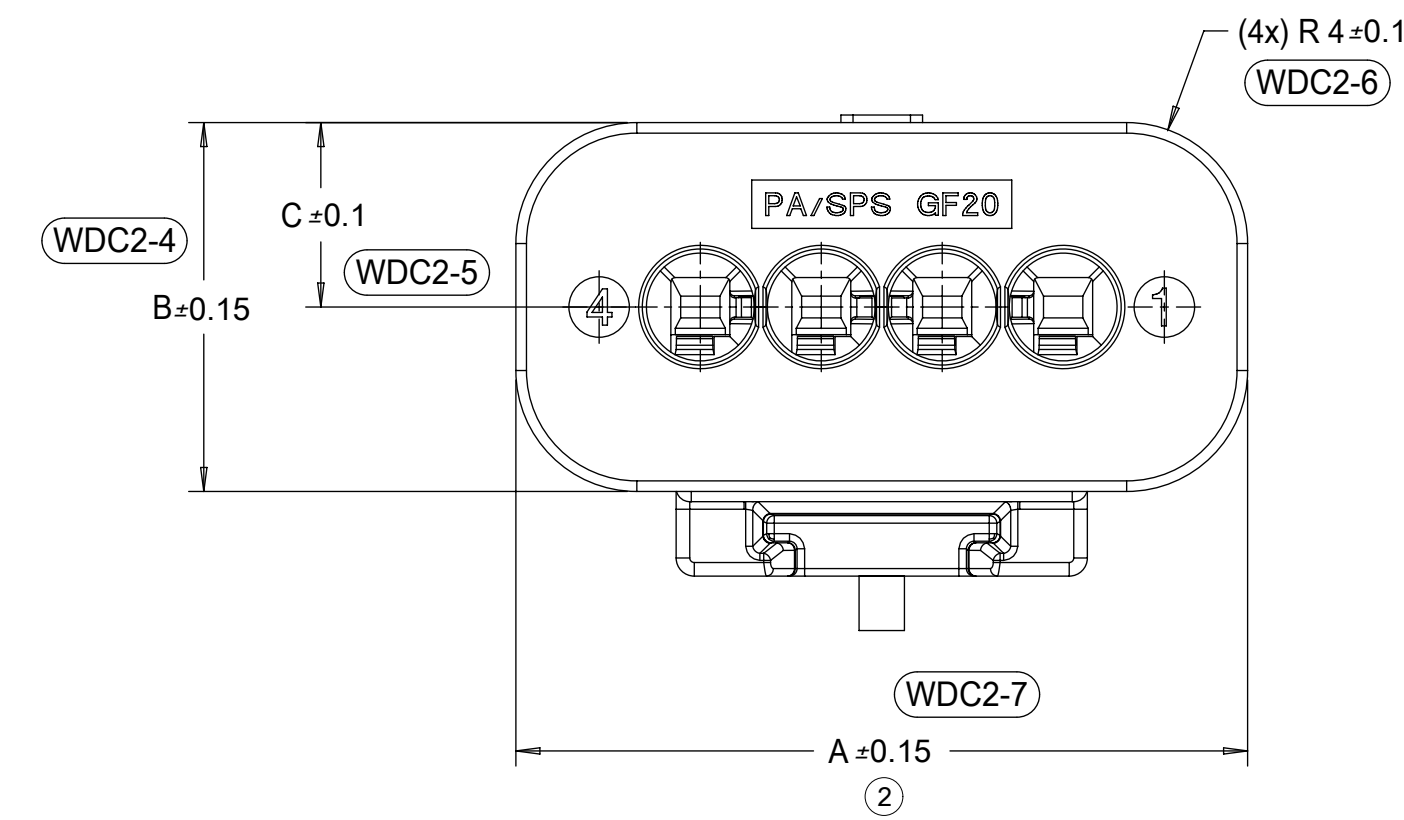
6 CIRCUIT	30.8	10.8	5.4	27.4	7.6	3.0
4 CIRCUIT	22.8	10.8	5.4	19.4	7.6	3.0
CONFIGURATION	A	B	C	E	F	G
CHARTED DIMENSIONS						



WIRE DRESS COVER
INTERFACE OPTION 1
WIRE DRESS COVERS
NOT AVAILABLE



6 CIRCUIT	32.2	12.2	6.1	29.3	9.3	4.2
4 CIRCUIT	24.2	12.2	6.1	21.3	9.3	4.2
CONFIGURATION	A	B	C	E	F	G
CHARTED DIMENSIONS						



WIRE DRESS COVER
INTERFACE OPTION 2
BASED ON HIRSCHMANN INTERFACE
DRAWING 808-012-xxx REV B5

QUALITY SYMBOLS	THIS DRAWING CONTAINS INFORMATION THAT IS PROPRIETARY TO MOLEX ELECTRONIC TECHNOLOGIES, LLC AND SHOULD NOT BE USED WITHOUT WRITTEN PERMISSION		GENERAL TOLERANCES (UNLESS SPECIFIED)		DIMENSION UNITS	SCALE	
	▽ = 0 ▽ = 0 ▽ = 0 ▽ = 0 ▽ = 0 ▽ = 0 ▽ = 0 ▽ = 0	EC NO: 639764 DRWN: VYARAPPA CHKD: KBORUSZEWSKI REV APPR: KBORUSZEWSKI	2017/05/08 2020/06/23 2020/06/23	4 PLACES ± 3 PLACES ± 2 PLACES ± 0.1 1 PLACE ± 0.2 0 PLACES ± 0.5	DIMENSION UNITS: mm SCALE: 4:1	DRWN BY: MVANSLAMBROU DATE: 2012/07/13 CHKD BY: VKOSHY DATE: 2012/07/19 APPR BY: VKOSHY DATE: 2012/07/24	
DRAFT WHERE APPLICABLE MUST REMAIN WITHIN DIMENSIONS		DRAUGHTING SYMBOLS D: THIRD ANGLE PROJECTION		SERIES: 34899 MATERIAL NUMBER: SEE TABLE CUSTOMER: GENERAL MARKET		DOCUMENT NUMBER: SD-34899-6001 DOC TYPE: PSD DOC PART: 001 SHEET NUMBER: 7 OF 11	

1x6 BLADE SEALED ASSEMBLY BOM FOR WIRE DRESS COVER INTERFACE 1 REFER WIRE DRESS INTERFACE SHEET FOR DETAILS

ASSEMBLY DESCRIPTION	ASSEMBLY PART NUMBER											PRODUCTION TOOL STATUS	COMMENTS
KEYING OPTION A, 40-G CLIP SLOT, BLACK	34899-6070											A	CONCEPT
KEYING OPTION A, 40-G CLIP SLOT, YELLOW	34899-6050											A	CONCEPT
KEYING OPTION D, 11mm CLIP SLOT, STONE GRAY	34899-6063											D	OBSOLETE
KEYING OPTION C, 11mm CLIP SLOT, DARK GRAY	34899-6062											C	OBSOLETE
KEYING OPTION B, 11mm CLIP SLOT, LIGHT GRAY	34899-6061											B	OBSOLETE
KEYING OPTION A, 11mm CLIP SLOT, BLACK	34899-6060											A	OBSOLETE
KEYING OPTION D, 11mm CLIP SLOT, YELLOW	34899-6043											D	SALEABLE
KEYING OPTION C, 11mm CLIP SLOT, YELLOW	34899-6042											C	SALEABLE
KEYING OPTION B, 11mm CLIP SLOT, YELLOW	34899-6041											B	OBSOLETE
KEYING OPTION A, 11mm CLIP SLOT, YELLOW	34899-6040											A	SALEABLE
KEYING OPTION D, 7mm CLIP SLOT, STONE GRAY	34899-6023											D	OBSOLETE
KEYING OPTION C, 7mm CLIP SLOT, DARK GRAY	34899-6022											C	OBSOLETE
KEYING OPTION B, 7mm CLIP SLOT, LIGHT GRAY	34899-6021											B	SALEABLE
KEYING OPTION A, 7mm CLIP SLOT, BLACK	34899-6020											A	OBSOLETE
KEYING OPTION D, 7mm CLIP SLOT, YELLOW	34899-6013											D	SALEABLE
KEYING OPTION C, 7mm CLIP SLOT, YELLOW	34899-6012											C	SALEABLE
KEYING OPTION B, 7mm CLIP SLOT, YELLOW	34899-6011											B	OBSOLETE
KEYING OPTION A, 7mm CLIP SLOT, YELLOW	34899-6010											A	SALEABLE

DESCRIPTION	COLOR	MATERIAL
PLR		
1x6 CONNECTOR HOUSING, KEYING OPTION A 40G CLIP SLOT	BLACK	SPS/NYLON GF20
1x6 CONNECTOR HOUSING, KEYING OPTION A 40G CLIP SLOT	YELLOW	SPS/NYLON GF20
1x6 CONNECTOR HOUSING, KEYING OPTION D 11mm CLIP SLOT	STONE GRAY	SPS/NYLON GF20
1x6 CONNECTOR HOUSING, KEYING OPTION C 11mm CLIP SLOT	DARK GRAY	SPS/NYLON GF20
1x6 CONNECTOR HOUSING, KEYING OPTION B 11mm CLIP SLOT	LIGHT GRAY	SPS/NYLON GF20
1x6 CONNECTOR HOUSING, KEYING OPTION A 11mm CLIP SLOT	BLACK	SPS/NYLON GF20
1x6 CONNECTOR HOUSING, KEYING OPTION D 11mm CLIP SLOT	YELLOW	SPS/NYLON GF20
1x6 CONNECTOR HOUSING, KEYING OPTION C 11mm CLIP SLOT	YELLOW	SPS/NYLON GF20
1x6 CONNECTOR HOUSING, KEYING OPTION B 11mm CLIP SLOT	YELLOW	SPS/NYLON GF20
1x6 CONNECTOR HOUSING, KEYING OPTION A 11mm CLIP SLOT	YELLOW	SPS/NYLON GF20
1x6 CONNECTOR HOUSING, KEYING OPTION D 7mm CLIP SLOT	STONE GRAY	SPS/NYLON GF20
1x6 CONNECTOR HOUSING, KEYING OPTION C 7mm CLIP SLOT	DARK GRAY	SPS/NYLON GF20
1x6 CONNECTOR HOUSING, KEYING OPTION B 7mm CLIP SLOT	LIGHT GRAY	SPS/NYLON GF20
1x6 CONNECTOR HOUSING, KEYING OPTION A 7mm CLIP SLOT	BLACK	SPS/NYLON GF20
1x6 CONNECTOR HOUSING, KEYING OPTION D 7mm CLIP SLOT	YELLOW	SPS/NYLON GF20
1x6 CONNECTOR HOUSING, KEYING OPTION C 7mm CLIP SLOT	YELLOW	SPS/NYLON GF20
1x6 CONNECTOR HOUSING, KEYING OPTION B 7mm CLIP SLOT	YELLOW	SPS/NYLON GF20
1x6 CONNECTOR HOUSING, KEYING OPTION A 7mm CLIP SLOT	YELLOW	SPS/NYLON GF20

ABBREVIATION	COMPONENT
A	CONNECTOR HOUSING KEYING OPTION A
B	CONNECTOR HOUSING KEYING OPTION B
C	CONNECTOR HOUSING KEYING OPTION C
D	CONNECTOR HOUSING KEYING OPTION D
PLR	PLR

QUALITY SYMBOLS 	THIS DRAWING CONTAINS INFORMATION THAT IS PROPRIETARY TO MOLEX ELECTRONIC TECHNOLOGIES, LLC AND SHOULD NOT BE USED WITHOUT WRITTEN PERMISSION		DIMENSION UNITS: mm SCALE: 2:1			
	EC NO: 639764 DRWN: VYARAPPA CHKD: KBORUSZEWSKI REV APPR: KBORUSZEWSKI	2017/05/08 2020/06/23 2020/06/23	GENERAL TOLERANCES (UNLESS SPECIFIED) ANGULAR TOL ± 3.0 °			DRWN BY: MVANSLAMBROU DATE: 2012/07/13
	4 PLACES ± 3 PLACES ± 2 PLACES ± 0.1 1 PLACE ± 0.2 0 PLACES ± 0.5		DRAFT WHERE APPLICABLE MUST REMAIN WITHIN DIMENSIONS			CHKD BY: VKOSHY DATE: 2012/07/19
	DRAFT WHERE APPLICABLE MUST REMAIN WITHIN DIMENSIONS		APPR BY: VKOSHY DATE: 2012/07/24			PRODUCT CUSTOMER DRAWING
	DRAFT WHERE APPLICABLE MUST REMAIN WITHIN DIMENSIONS		DRAWING SIZE: D THIRD ANGLE PROJECTION	SERIES: 34899 MATERIAL NUMBER: SEE BOM CUSTOMER: GENERAL MARKET		SEaled ASSEMBLY CABLE SEAL 639764 - REMOVED CPA3 AND REPLACED WITH CPA2 AGAIN
	DRAFT WHERE APPLICABLE MUST REMAIN WITHIN DIMENSIONS		DOCUMENT NUMBER: SD-34899-6001 DOC TYPE: PSD DOC PART: 001 SHEET NUMBER: 10 OF 11			

1x6 BLADE SEALED ASSEMBLY BOM
FOR WIRE DRESS COVER INTERFACE 2
REFER WIRE DRESS INTERFACE SHEET
FOR DETAILS

KEYING OPTION D, 11mm CLIP SLOT, STONE GRAY	34899-6123																			D	SALEABLE	
KEYING OPTION C, 11mm CLIP SLOT, DARK GRAY	34899-6122																			C	SALEABLE	
KEYING OPTION B, 11mm CLIP SLOT, LIGHT GRAY	34899-6121																			B	SALEABLE	
KEYING OPTION A, 11mm CLIP SLOT, BLACK	34899-6120																			A	SALEABLE	
KEYING OPTION D, 11mm CLIP SLOT, YELLOW	34899-6113																			D	SALEABLE	
KEYING OPTION C, 11mm CLIP SLOT, YELLOW	34899-6112																			C	SALEABLE	
KEYING OPTION B, 11mm CLIP SLOT, YELLOW	34899-6111																			B	SALEABLE	
KEYING OPTION A, 11mm CLIP SLOT, YELLOW	34899-6110																			A	SALEABLE	
KEYING OPTION D, 7mm CLIP SLOT, STONE GRAY	34899-6093																			D	SALEABLE	
KEYING OPTION C, 7mm CLIP SLOT, DARK GRAY	34899-6092																			C	SALEABLE	
KEYING OPTION B, 7mm CLIP SLOT, LIGHT GRAY	34899-6091																			B	SALEABLE	
KEYING OPTION A, 7mm CLIP SLOT, BLACK	34899-6090																			A	SALEABLE	
KEYING OPTION D, 7mm CLIP SLOT, YELLOW	34899-6083																			D	SALEABLE	
KEYING OPTION C, 7mm CLIP SLOT, YELLOW	34899-6082																			C	SALEABLE	
KEYING OPTION B, 7mm CLIP SLOT, YELLOW	34899-6081																			B	SALEABLE	
KEYING OPTION A, 7mm CLIP SLOT, YELLOW	34899-6080																			A	SALEABLE	
ASSEMBLY DESCRIPTION	ASSEMBLY PART NUMBER																				PRODUCTION TOOL STATUS	COMMENTS

PLR	NATURAL	SPS/NYLON GF20
1x6 CONNECTOR HOUSING, KEYING OPTION D 11mm CLIP SLOT	STONE GRAY	SPS/NYLON GF20
1x6 CONNECTOR HOUSING, KEYING OPTION C 11mm CLIP SLOT	DARK GRAY	SPS/NYLON GF20
1x6 CONNECTOR HOUSING, KEYING OPTION B 11mm CLIP SLOT	LIGHT GRAY	SPS/NYLON GF20
1x6 CONNECTOR HOUSING, KEYING OPTION A 11mm CLIP SLOT	BLACK	SPS/NYLON GF20
1x6 CONNECTOR HOUSING, KEYING OPTION D 11mm CLIP SLOT	YELLOW	SPS/NYLON GF20
1x6 CONNECTOR HOUSING, KEYING OPTION C 11mm CLIP SLOT	YELLOW	SPS/NYLON GF20
1x6 CONNECTOR HOUSING, KEYING OPTION B 11mm CLIP SLOT	YELLOW	SPS/NYLON GF20
1x6 CONNECTOR HOUSING, KEYING OPTION A 11mm CLIP SLOT	YELLOW	SPS/NYLON GF20
1x6 CONNECTOR HOUSING, KEYING OPTION D 7mm CLIP SLOT	STONE GRAY	SPS/NYLON GF20
1x6 CONNECTOR HOUSING, KEYING OPTION C 7mm CLIP SLOT	DARK GRAY	SPS/NYLON GF20
1x6 CONNECTOR HOUSING, KEYING OPTION B 7mm CLIP SLOT	LIGHT GRAY	SPS/NYLON GF20
1x6 CONNECTOR HOUSING, KEYING OPTION A 7mm CLIP SLOT	BLACK	SPS/NYLON GF20
1x6 CONNECTOR HOUSING, KEYING OPTION D 7mm CLIP SLOT	YELLOW	SPS/NYLON GF20
1x6 CONNECTOR HOUSING, KEYING OPTION C 7mm CLIP SLOT	YELLOW	SPS/NYLON GF20
1x6 CONNECTOR HOUSING, KEYING OPTION B 7mm CLIP SLOT	YELLOW	SPS/NYLON GF20
1x6 CONNECTOR HOUSING, KEYING OPTION A 7mm CLIP SLOT	YELLOW	SPS/NYLON GF20

DESCRIPTION	COLOR	MATERIAL
BOM/APPLICABLE COMPONENTS TABLE		

ABBREVIATION	COMPONENT
A	CONNECTOR HOUSING KEYING OPTION A
B	CONNECTOR HOUSING KEYING OPTION B
C	CONNECTOR HOUSING KEYING OPTION C
D	CONNECTOR HOUSING KEYING OPTION D
PLR	PLR

<p>QUALITY SYMBOLS</p> <p>▽ = 0</p> <p>▽ = 0</p> <p>▽ = 0</p> <p>▽ = 0</p> <p>▽ = 0</p> <p>□ = 0</p> <p>■ = 0</p> <p>▽ = 0</p>	<p>THIS DRAWING CONTAINS INFORMATION THAT IS PROPRIETARY TO MOLEX ELECTRONIC TECHNOLOGIES, LLC AND SHOULD NOT BE USED WITHOUT WRITTEN PERMISSION</p> <p>EC NO: 639764 DRWN: VYARAPPA CHKD: KBORUSZEWSKI REV APPR: KBORUSZEWSKI</p> <p>2017/05/08 2020/06/23 2020/06/23</p>	<p>GENERAL TOLERANCES (UNLESS SPECIFIED)</p> <p>ANGULAR TOL ± 3.0 °</p> <p>4 PLACES ±</p> <p>3 PLACES ±</p> <p>2 PLACES ± 0.1</p> <p>1 PLACE ± 0.2</p> <p>0 PLACES ± 0.5</p> <p>DRAFT WHERE APPLICABLE MUST REMAIN WITHIN DIMENSIONS</p>	<p>DIMENSION UNITS: mm</p> <p>SCALE:</p> <p>DRWN BY: MVANSLAMBROU DATE: 2012/07/13</p> <p>CHKD BY: VKOSHY DATE: 2012/07/19</p> <p>APPR BY: VKOSHY DATE: 2012/07/24</p> <p>DRAWING SIZE: D</p> <p>THIRD ANGLE PROJECTION</p>	<p>molex</p> <p>1.2MM 1X4, 1X6 BLADE SEALED ASSEMBLY CABLE SEAL 639764 - REMOVED CPA3 AND REPLACED WITH CPA2 AGAIN</p> <p>PRODUCT CUSTOMER DRAWING</p> <p>SERIES: 34899 MATERIAL NUMBER: SEE BOM CUSTOMER: GENERAL MARKET</p> <p>DOCUMENT NUMBER: SD-34899-6001 DOC TYPE: PSD DOC PART: 001 SHEET NUMBER: 11 OF 11</p>
--	--	--	---	---