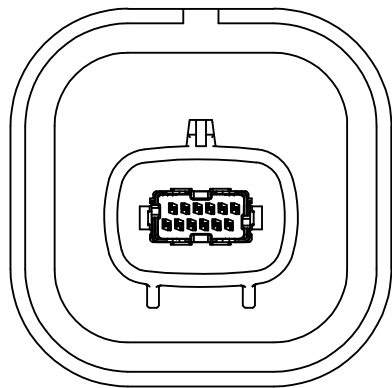
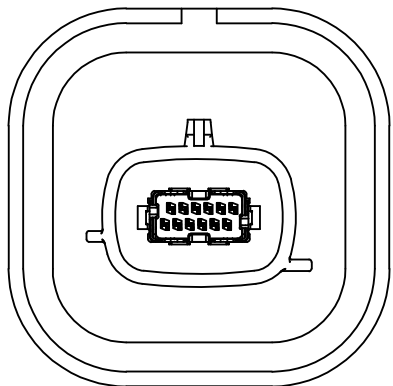


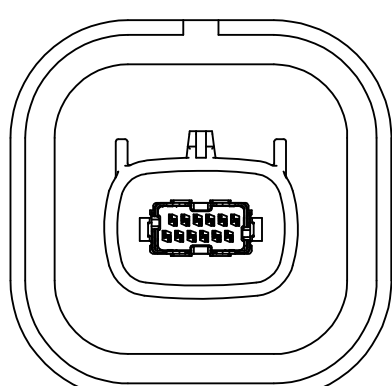
34858-0506
KEY OPTION 'A'
COLOR: BLACK



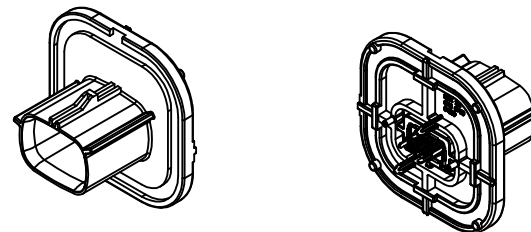
34858-0606
KEY OPTION 'B'
COLOR: GREY



34858-0706
KEY OPTION 'C'
COLOR: BROWN



34858-0806
KEY OPTION 'D'
COLOR: GREEN



NOTES: VALID UNLESS OTHERWISE SPECIFIED

1. GENERAL:
 - a. APPLICATION SPECIFICATION: AS-111149-001
 - b. PRODUCT SPECIFICATION: PS-111149-001
 - c. PACKAGING SPECIFICATION PER MOLEX DRAWING: PK-31301-766
 - d. PARTS MUST BE IN COMPLIANCE TO THE CURRENT VERSION OF THE MOLEX CHEMICAL SUBSTANCES FOR PRODUCTS AND PACKAGING SPECIFICATION
 - e. DATA MUST BE SUBMITTED UNDER THE MOLEX PART NUMBER TO MDS (COMPANY ID#13255)
 - f. PCB TO BE FR4 0.062" (157mm) THICK
 - g. MATING CONNECTOR MINIMUM CLEARANCE: REGION TO REMAIN CLEAR OF MODULE COMPONENTS, ADHESIVE, DEBRIS, ETC.
 - h. APPLICABLE SEALANT TO BE USED: LOCTITE 5910

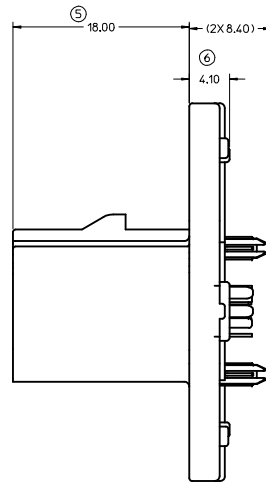
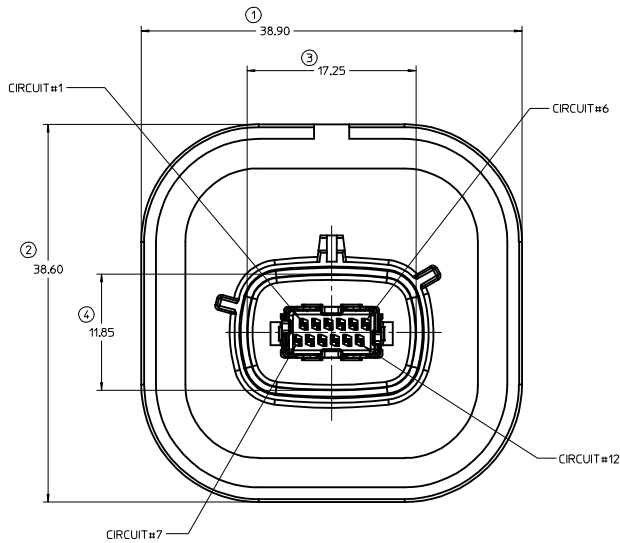
2. DESIGN - MATERIALS:

- a. HEADER HOUSING: SPS GF30
- b. TERMINALS - COPPER ALLOY
OVERMOLDING - LCP GF30
MATE-SIDE PLATING: SELECTIVE GOLD OVER NICKEL
PCB-SIDE PLATING: TIN OVER NICKEL
- c. BISCUIT - SPS GF30
- d. SHIELDS - COPPER ALLOY
PLATING - TIN OVER NICKEL

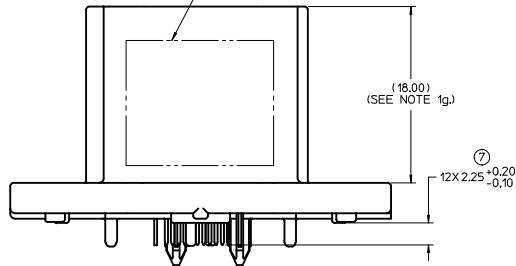
3. DESIGN - GEOMETRY:

- a. ALL GRAPHIC DATA IS BASIC (NO TOLERANCE) AND MUST BE TAKEN FROM THE DATA FILE AT ITS LATEST REVISION.
- b. N/A
- c. GEOMETRIC DIMENSIONS AND TOLERANCES PER ASME Y14.5M-2009
- d. EDGES AND UNDIMENSIONED DETAILS PER ISO13715
- e. CORNERS SHOWN AS SHARP TO BE R 0.2 MAX.
- f. MODULE MOUNTING SURFACE, SEALANT TO BE APPLIED TO THIS REGION ONLY. PARTING LINES ARE PRESENT ON THESE SURFACES
4. LASER MARKING TO BE MARKED WITH:
 - HUMAN READABLE CODE (HRC)
 - PERMANENTLY APPLIED ON THE PART WITH 15mm LETTER SIZE
 - INFORMATION TO BE PRINTED
 - 5 DIGIT JULIAN MANUFACTURING DATE STAMP YYDDD

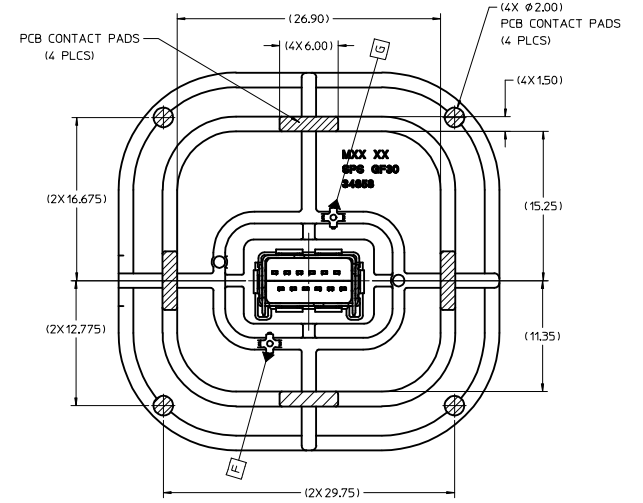
INITIAL RELEASE EC NO: UAU2014-1383 DRAWN BY: CD LILLON CHKD: CD LILLON APPR: VIOSHY 2014/03/25 2014/04/21	QUALITY SYMBOLS	GENERAL TOLERANCES (UNLESS SPECIFIED)	DIMENSION STYLE	SCALE	DESIGN UNITS	THIRD ANGLE PROJECTION
	∇=0 ∇=0 ∇=0	mm INCH 4 PLACES ± --- ± --- 3 PLACES ± --- ± --- 2 PLACES ± 0.13 ± --- 1 PLACE ± 0.25 ± --- ANGULAR ± 1 °	MM ONLY DRAWN BY: CD LILLON DATE: 2011/07/12 CHECKED BY: CD LILLON DATE: 2011/08/05 APPROVED BY: SMARCEAU DATE: 2011/08/05	4:1	METRIC	12 CKT HSAUTOLINK II VERT SEALED HEADER ASSEMBLY
	DRAFT WHERE APPLICABLE MUST REMAIN WITHIN DIMENSIONS	MATERIAL NO: SEE CHART	MOLEX INCORPORATED DOCUMENT NO: SD-34858-001			SHEET NO: 1 OF 3
	THIS DRAWING CONTAINS INFORMATION THAT IS PROPRIETARY TO MOLEX INCORPORATED AND SHOULD NOT BE USED WITHOUT WRITTEN PERMISSION					



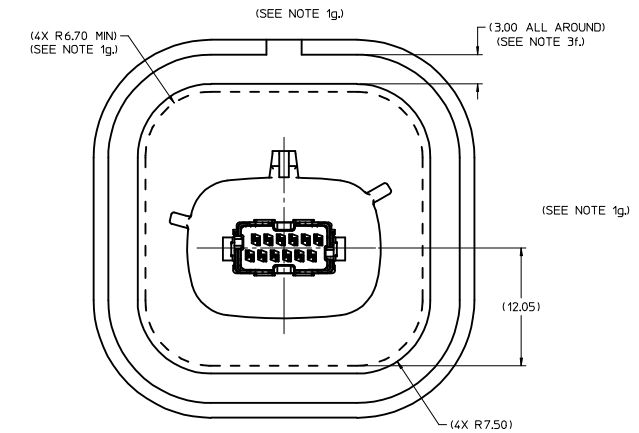
LASER MARKING TO BE SHOWN IN THIS LOCATION
SEE NOTE 4



PCB CLEAROUT REGIONS

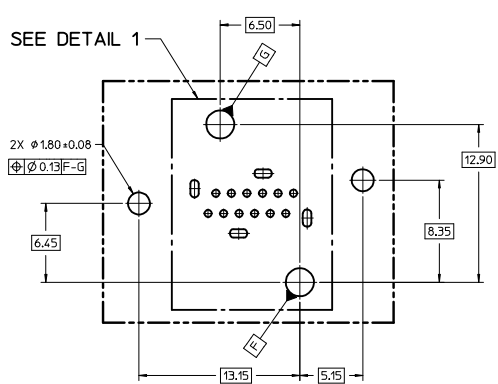


HEADER-TO-MODULE INTERFACE REQUIREMENTS

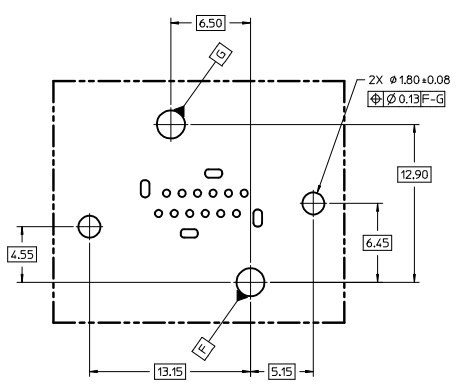


INITIAL RELEASE EC NO. UAU2014-1383 DRAWN: CD LILLON 2011/07/25 CHKD: CD LILLON APPR: VIKOSHY 2011/07/27	QUALITY SYMBOLS	GENERAL TOLERANCES (UNLESS SPECIFIED)	DIMENSION STYLE	SCALE	DESIGN UNITS	THIRD ANGLE PROJECTION
	∇=0 ∇=0 ∇=0	mm INCH 4 PLACES ± --- ± --- 3 PLACES ± --- ± --- 2 PLACES ± 0.13 ± --- 1 PLACE ± 0.25 ± --- ANGULAR ± 1 °	MM ONLY DRAWN BY DATE CD LILLON 2011/07/12 CHECKED BY DATE CD LILLON 2011/08/05 APPROVED BY DATE SMARCEAU 2011/08/05	4:1	METRIC	THIRD ANGLE PROJECTION
	DRAFT WHERE APPLICABLE MUST REMAIN WITHIN DIMENSIONS	SEE CHART	MATERIAL NO.	DOCUMENT NO.	MOLEX INCORPORATED SD-34858-001	
			SIZE D	THIS DRAWING CONTAINS INFORMATION THAT IS PROPRIETARY TO MOLEX INCORPORATED AND SHOULD NOT BE USED WITHOUT WRITTEN PERMISSION		SHEET NO. 2 OF 3

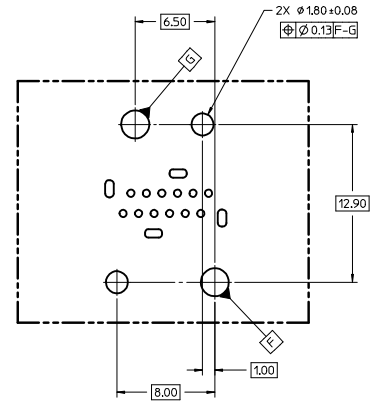
PCB LAYOUT - HEADER SIDE PCB



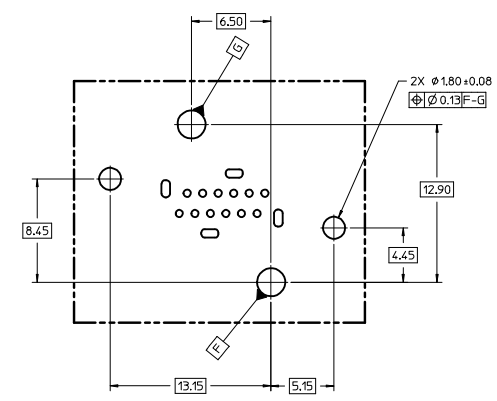
PCB KEY FEATURES
OPTION 'A'



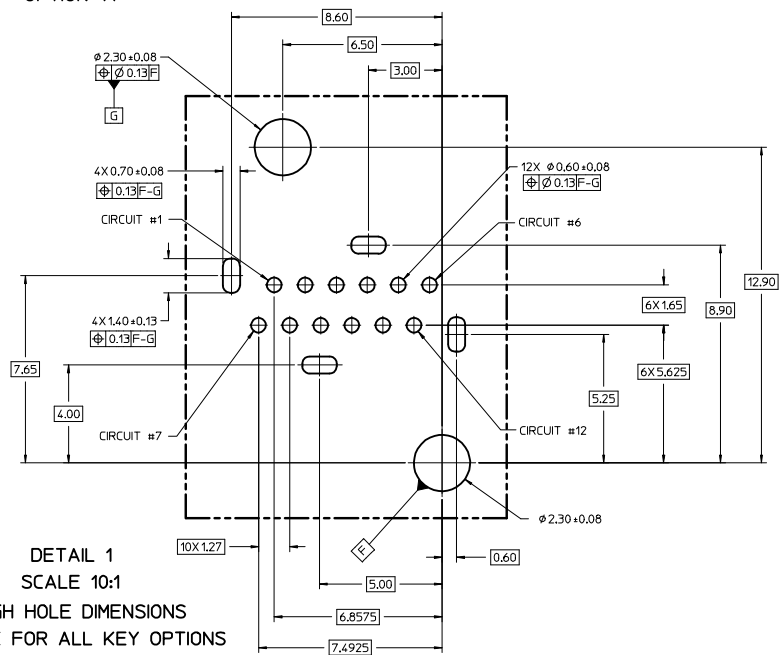
PCB KEY FEATURES
OPTION 'B'



PCB KEY FEATURES
OPTION 'C'



PCB KEY FEATURES
OPTION 'D'



DETAIL 1
SCALE 10:1
THROUGH HOLE DIMENSIONS
APPLICABLE FOR ALL KEY OPTIONS

INITIAL RELEASE EC NO. UAU2014-1383 DRAWN: CD LILLON 2014/03/25 CHKD: CD LILLON 2014/03/25 APPR: WJOSHY 2014/04/21	QUALITY SYMBOLS	GENERAL TOLERANCES (UNLESS SPECIFIED)	DIMENSION STYLE	SCALE	DESIGN UNITS	THIRD ANGLE PROJECTION
	$\nabla=0$ $\nabla=0$ $\nabla=0$	mm INCH	MM ONLY	4:1	METRIC	
	4 PLACES ± --- ± --- 3 PLACES ± --- ± --- 2 PLACES ± 0.13 ± --- 1 PLACE ± 0.25 ± --- ANGULAR ± 1 °	DRAWN BY DATE CD LILLON 2011/07/12 CHECKED BY DATE CD LILLON 2011/08/05 APPROVED BY DATE SMARCEAU 2011/08/05	TITLE 12 CKT HSAUTOLINK II VERT SEALED HEADER ASSEMBLY			
	DRAFT WHERE APPLICABLE MUST REMAIN WITHIN DIMENSIONS	MATERIAL NO. SEE CHART	DOCUMENT NO. MOLEX INCORPORATED	SHEET NO. 3 OF 3		