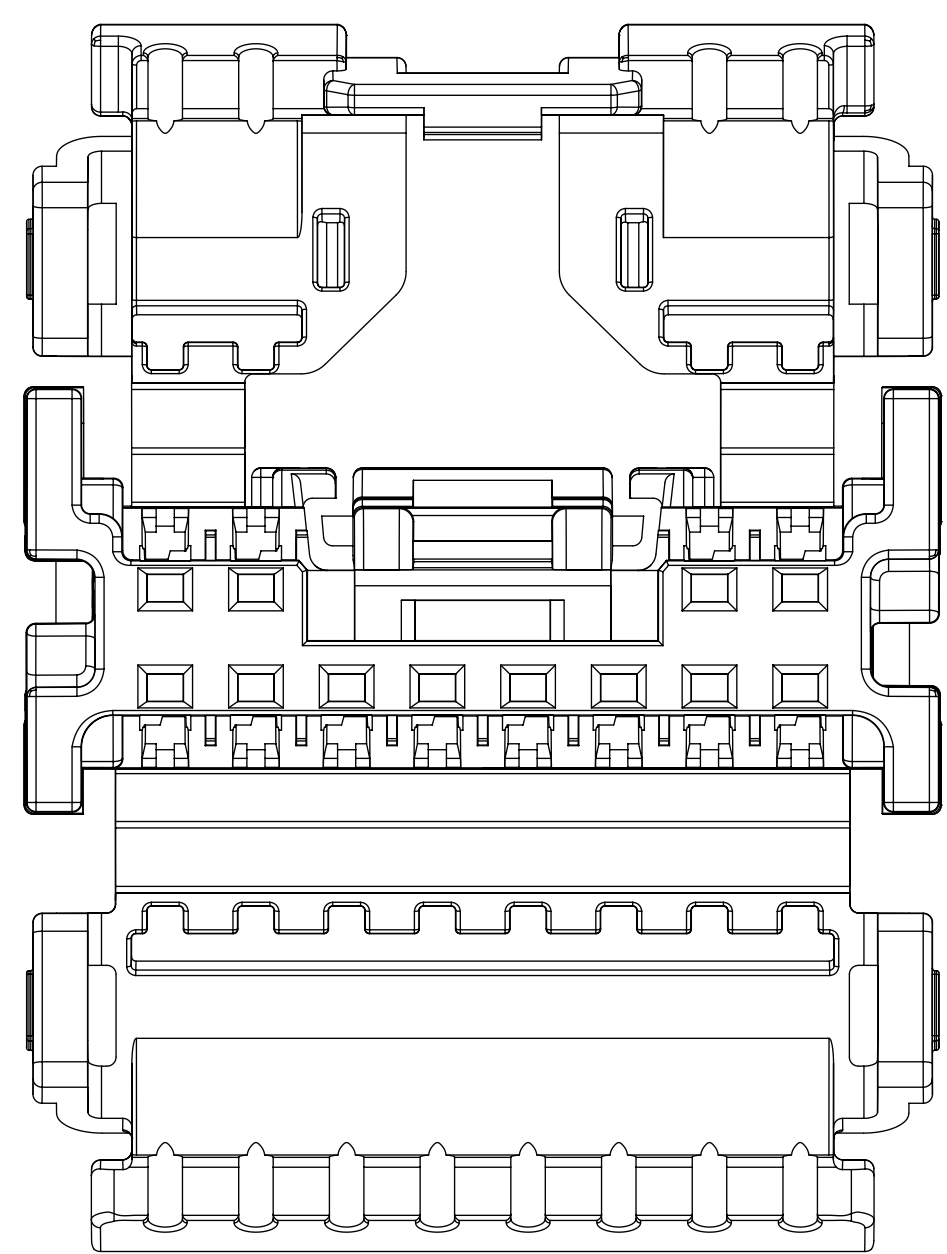
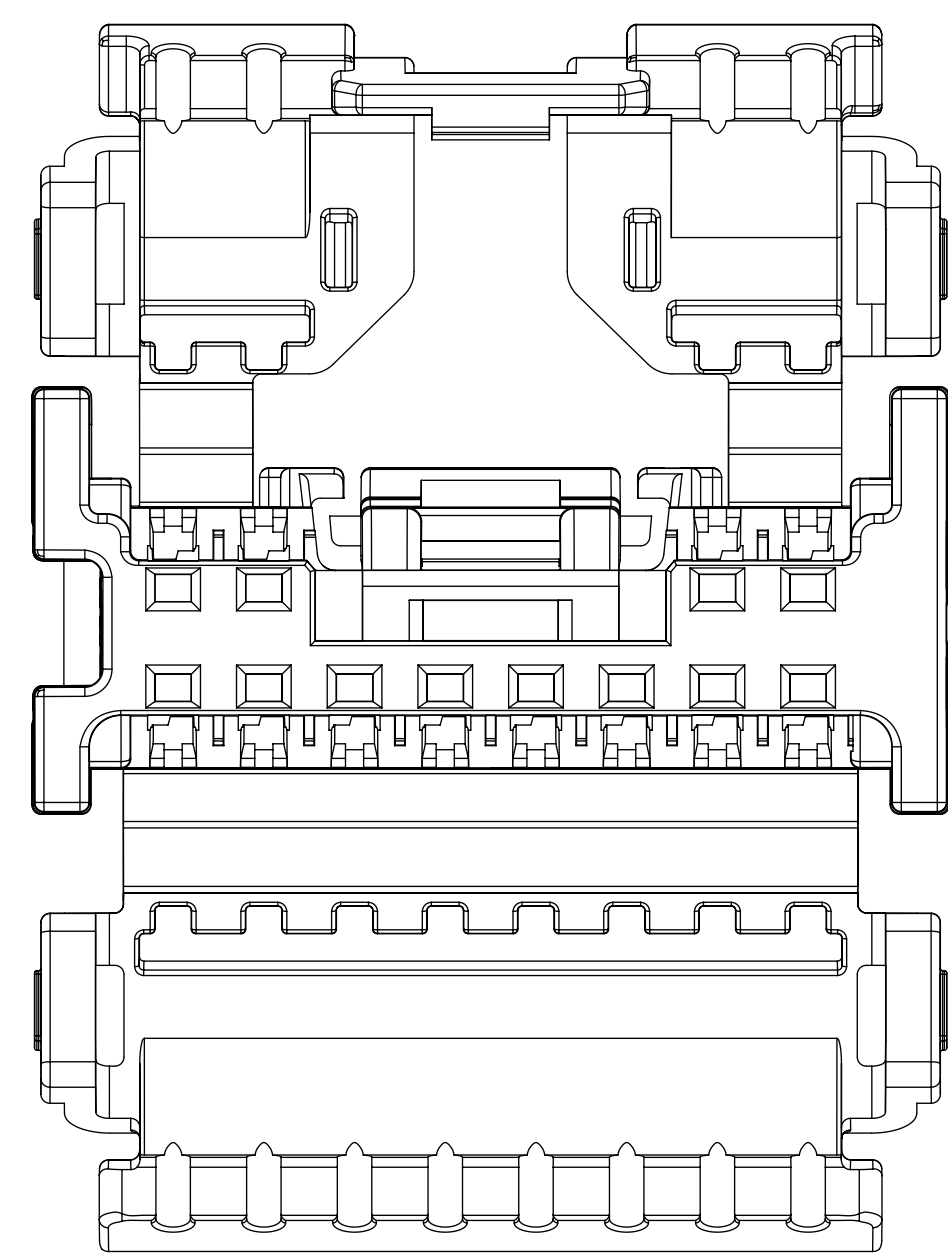


12 CIRCUIT RECEPTACLE WITHOUT LOCK BRIDGE  
POLARIZATION OPTION A  
USCAR COMPATIBLE



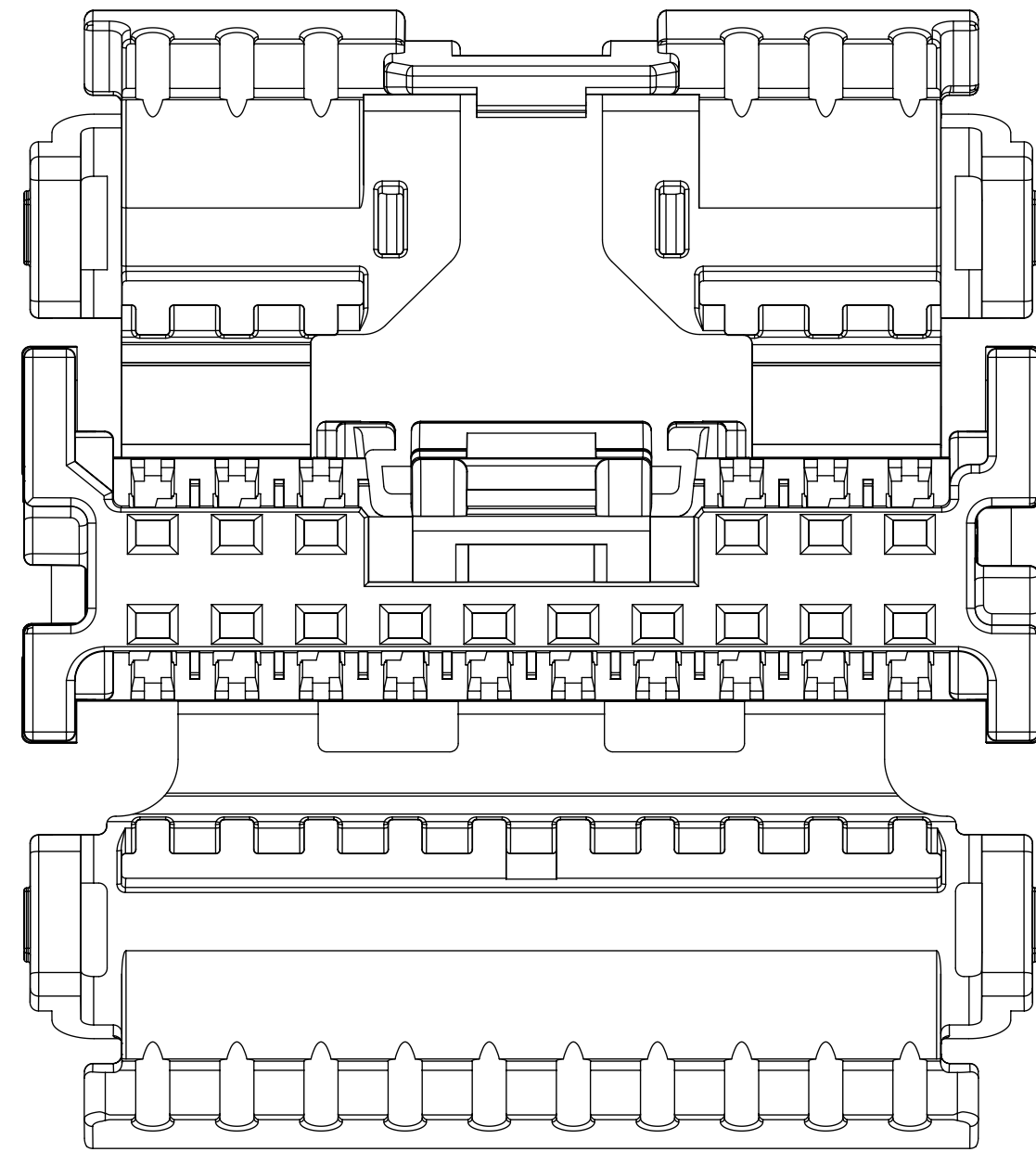
12 CIRCUIT RECEPTACLE WITHOUT LOCK BRIDGE  
POLARIZATION OPTION B  
USCAR COMPATIBLE



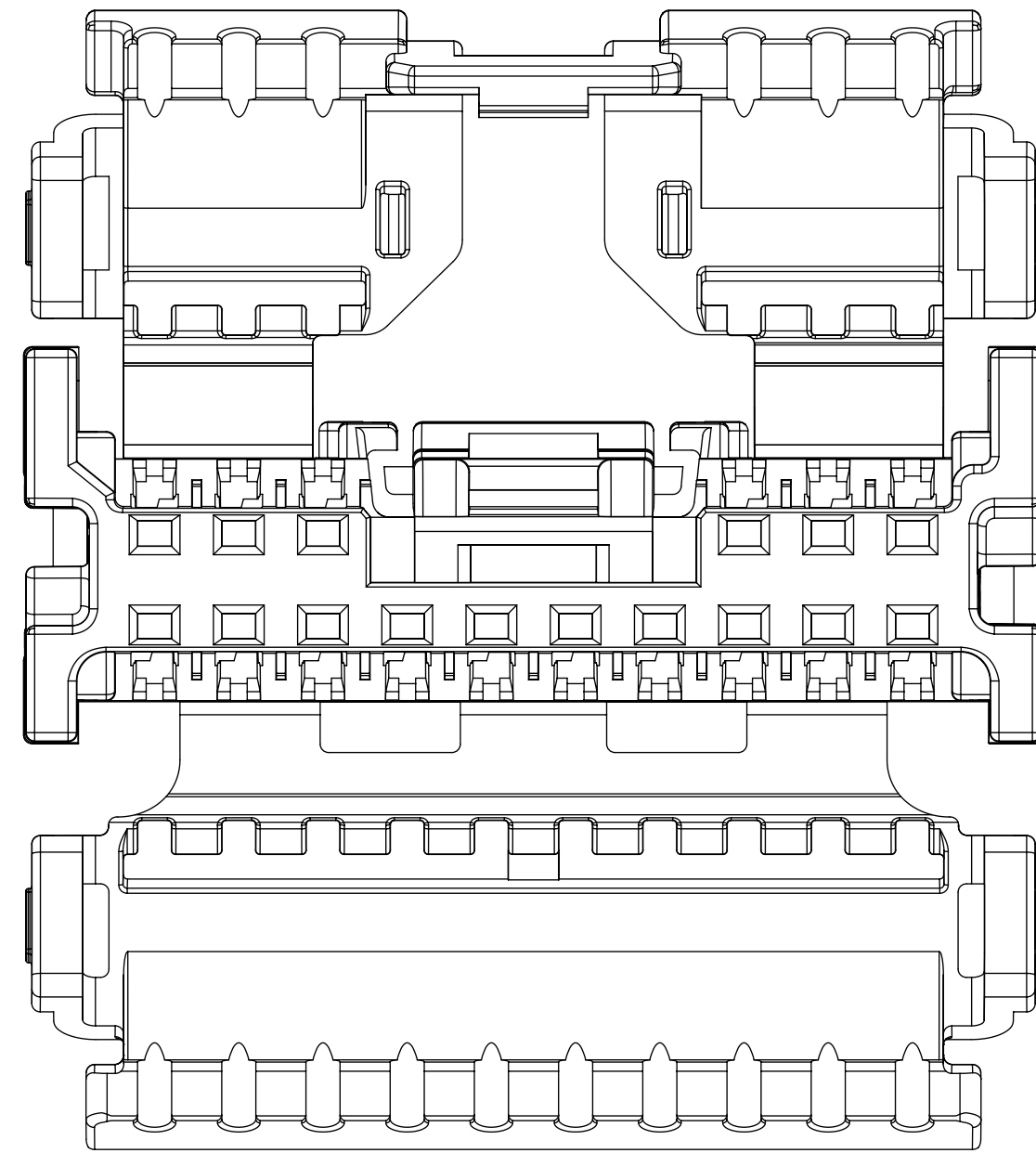
12 CIRCUIT RECEPTACLE WITHOUT LOCK BRIDGE  
POLARIZATION OPTION C  
USCAR COMPATIBLE

NOTES: VALID UNLESS OTHERWISE SPECIFIED

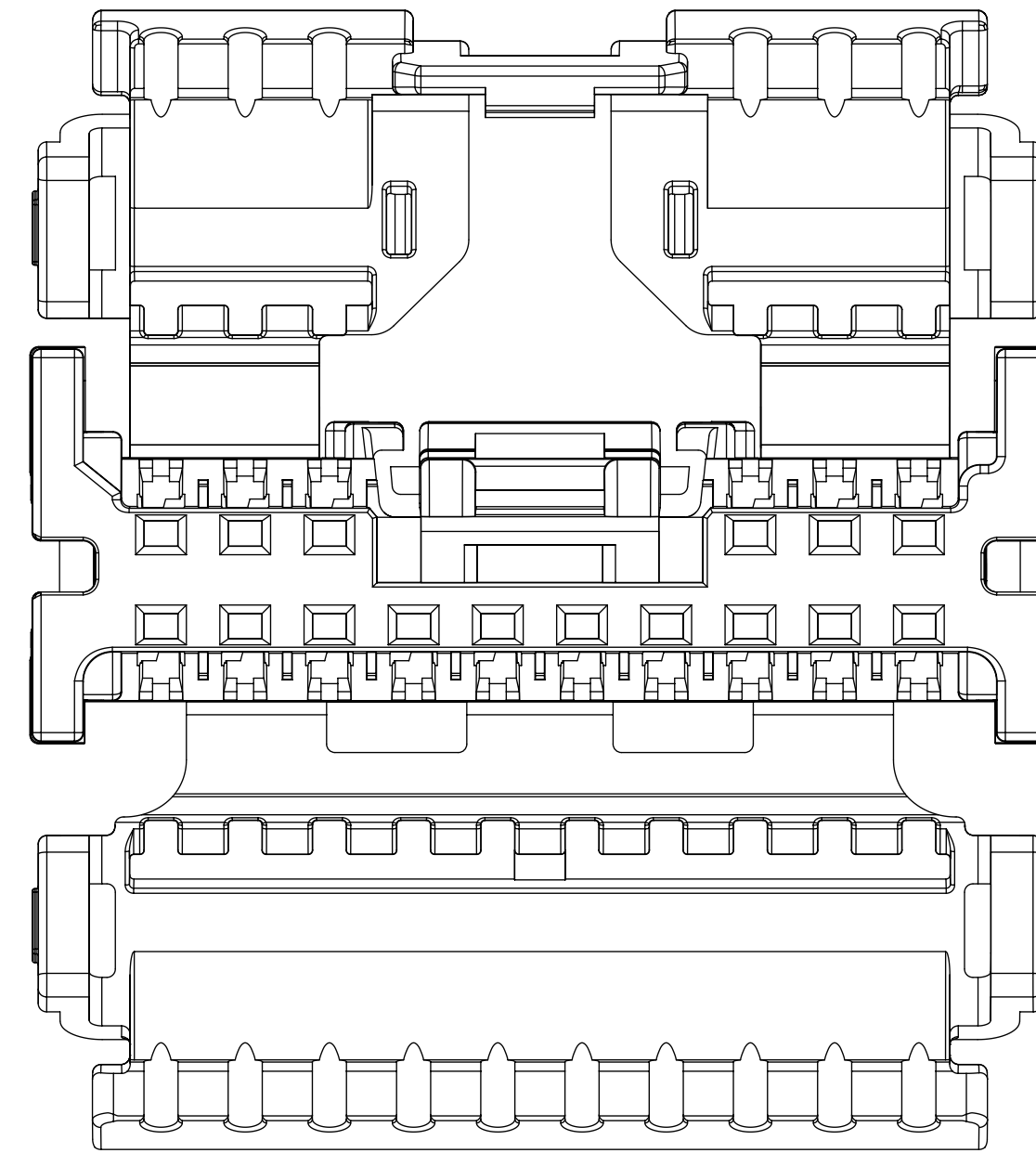
1. GENERAL:
  - a. APPLICATION SPECIFICATION SEE: AS-34791-020
  - b. PRODUCT SPECIFICATION SEE: PS-34791-020
  - c. PACKAGING SPECIFICATION PER MOLEX DRAWING: SEE CHART
  - d. PARTS MUST BE IN COMPLIANCE TO MOLEX CHEMICAL SUBSTANCES FOR PRODUCTS AND PACKAGING SPECIFICATION: QEHS-699000-301
  - e. DATA MUST BE SUBMITTED UNDER THE MOLEX PART NUMBER TO IMDS (COMPANY ID#13255)
  - f. FLAMMABILITY REQUIREMENT: PER ISO3795 OR GM3191
    1. BURN RATE 100 mm/MIN MAXIMUM
    2. MATERIAL MUST BE SELF EXTINGUISHING
  - g. VISUAL DEFECTS SHALL MEET COSMETIC STANDARD PS-45499-002 (Class B)
  - h. FOR TERMINAL USAGE, REFER TO MOLEX SALES DRAWING SD-560023-002
2. DESIGN - MATERIALS:
  - a. MATERIAL (12, 16, 20 CKT): UNFILLED PBT
  - b. MATERIAL (24 CKT): PA410 25% GF
3. DESIGN - GEOMETRY:
  - a. THIS IS A 100% CAD GENERATED PART. THE CAD MATHEMATICAL DATA IS THE MASTER FOR THIS PART. FOR DIMENSIONAL OR ANY INFORMATION NOT SHOWN ON THIS DRAWING, ANALYZE THE CAD MODEL.
  - b. GEOMETRIC DIMENSIONS AND TOLERANCES PER ASME Y14.5M - 2009
  - c. GENERAL TOLERANCES:
    - LINEAR: PER DIN 16901 CODE B FOR PRECISION ENGINEERING (SEE TABLE)
    - ANGULAR:  $\pm 13'$
  - d. EDGES AND UNDIMENSIONED DETAILS PER ISO13715
  - e. CORNERS SHOWN AS SHARP TO BE R 0.2 MAX
  - f. LETTERING SHALL BE 0.1 MAX RAISED IN 0.15 MAX RECESS PAD AND NOT PROTRUDE THE SURFACE. THIS INCLUDES RECYCLING CODE, PLANT AND CAVITY ID, VENDOR ID, CIRCUIT ID, AND PART SERIES NUMBER.
  - g. DIMENSION APPLIES ONLY TO RECEPTACLES WITH LOCK BRIDGE OPTION.



16 CIRCUIT RECEPTACLE WITHOUT LOCK BRIDGE  
POLARIZATION OPTION A



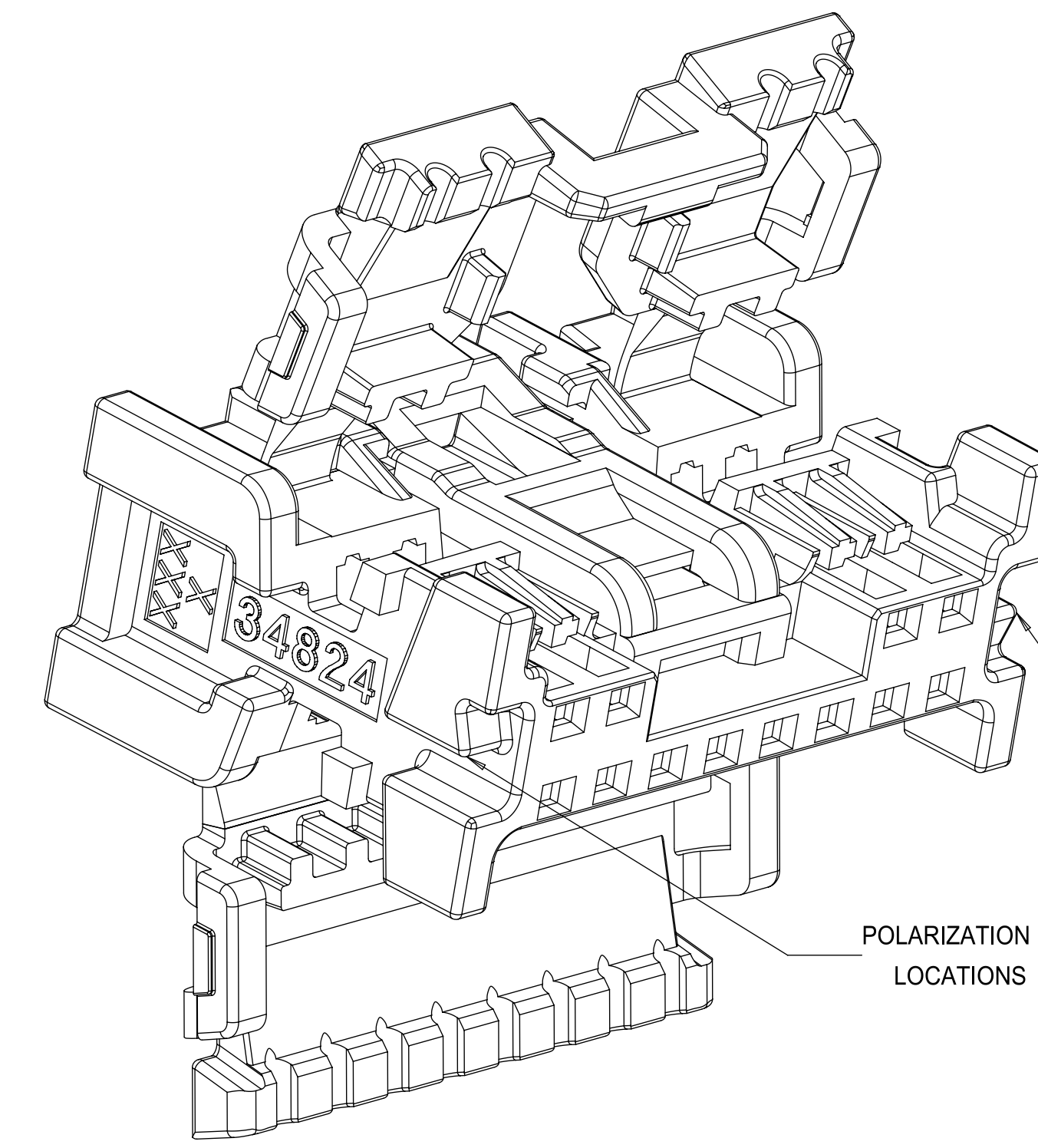
16 CIRCUIT RECEPTACLE WITHOUT LOCK BRIDGE  
POLARIZATION OPTION B



16 CIRCUIT RECEPTACLE WITHOUT LOCK BRIDGE  
POLARIZATION OPTION C

HINGES OPEN

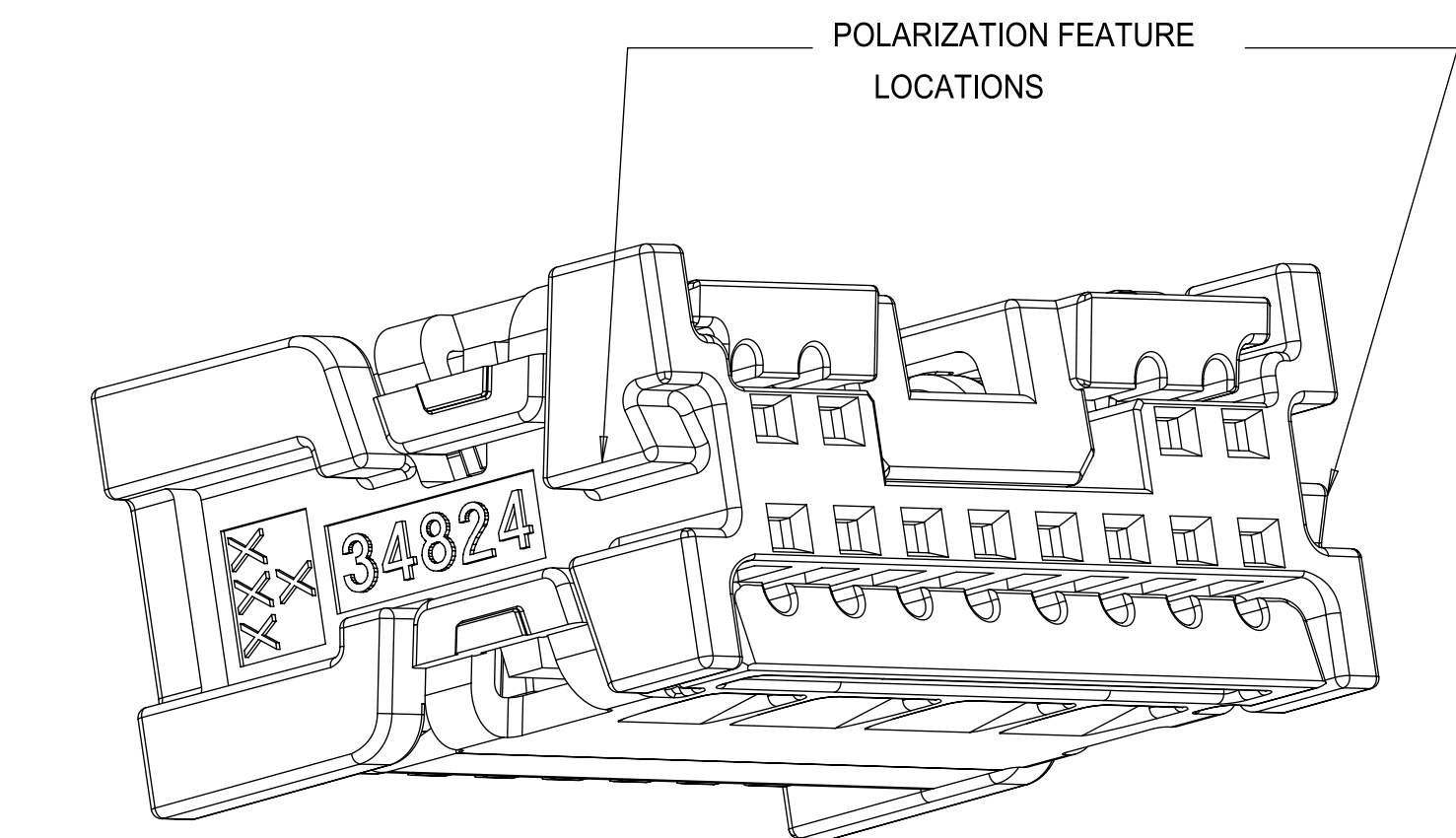
12 CIRCUIT RECEPTACLE SHOWN  
(AS SHIPPED)



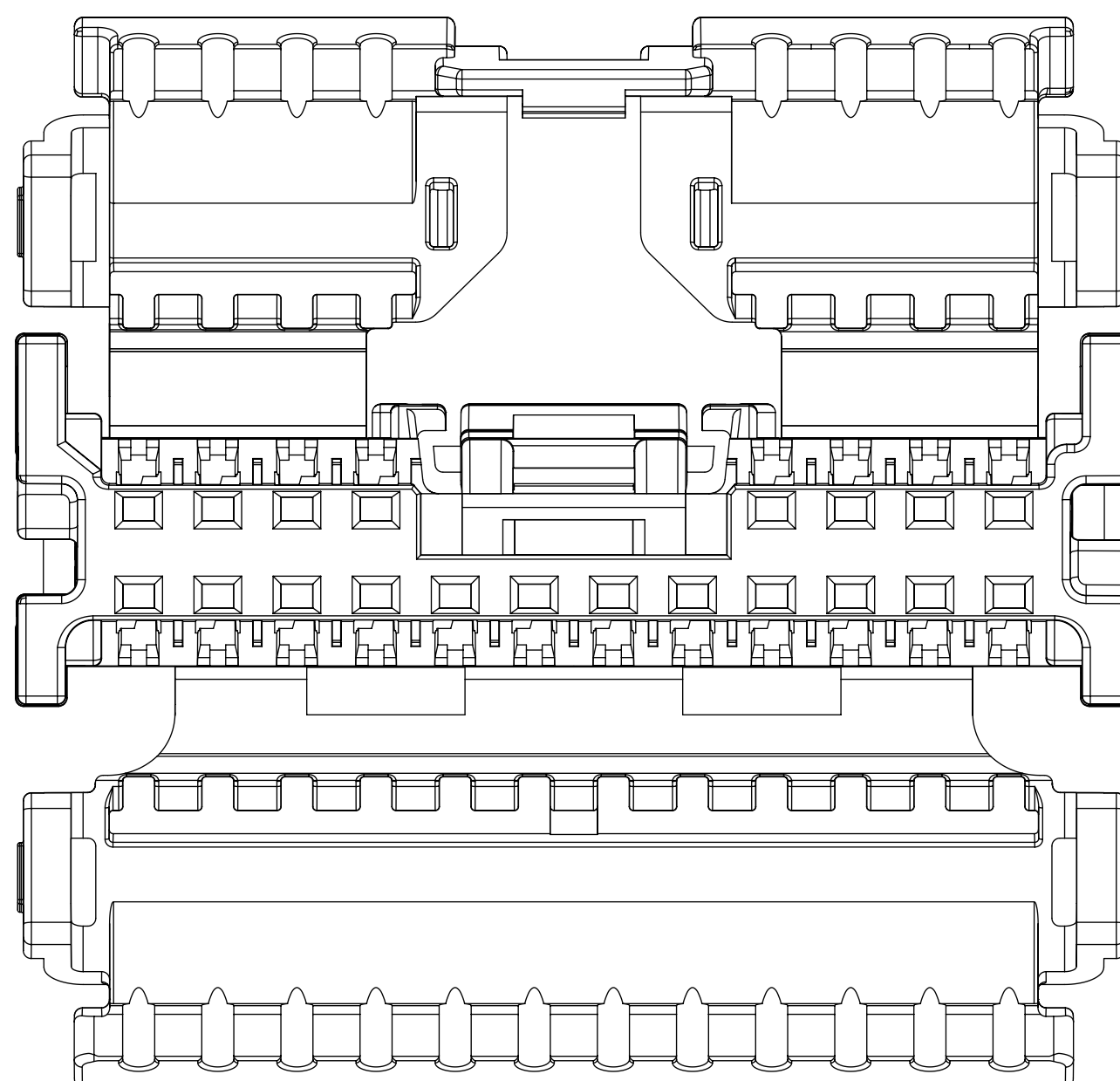
SCALE 7:1

HINGES CLOSED

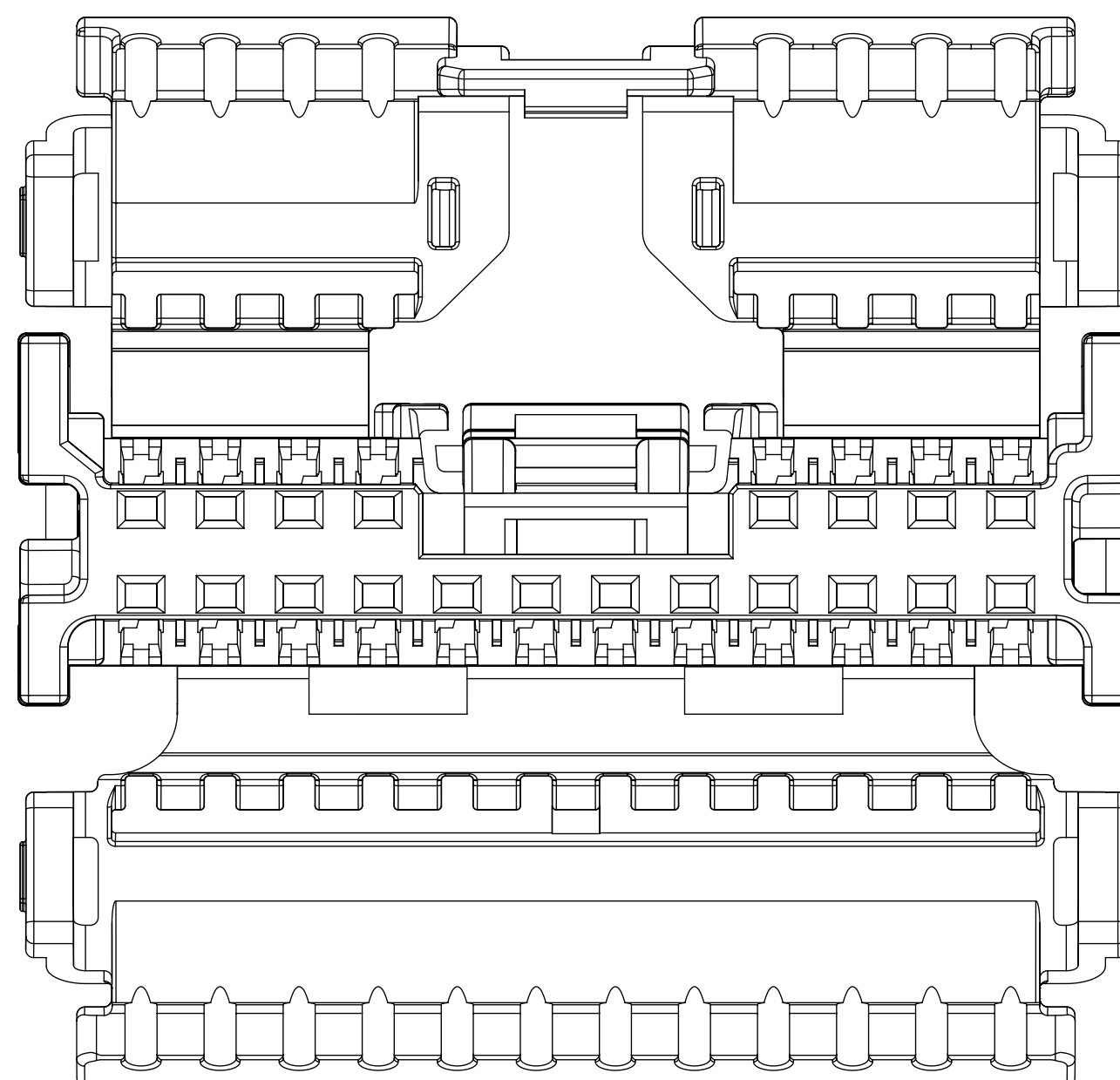
12 CIRCUIT RECEPTACLE SHOWN  
(AS ASSEMBLED)



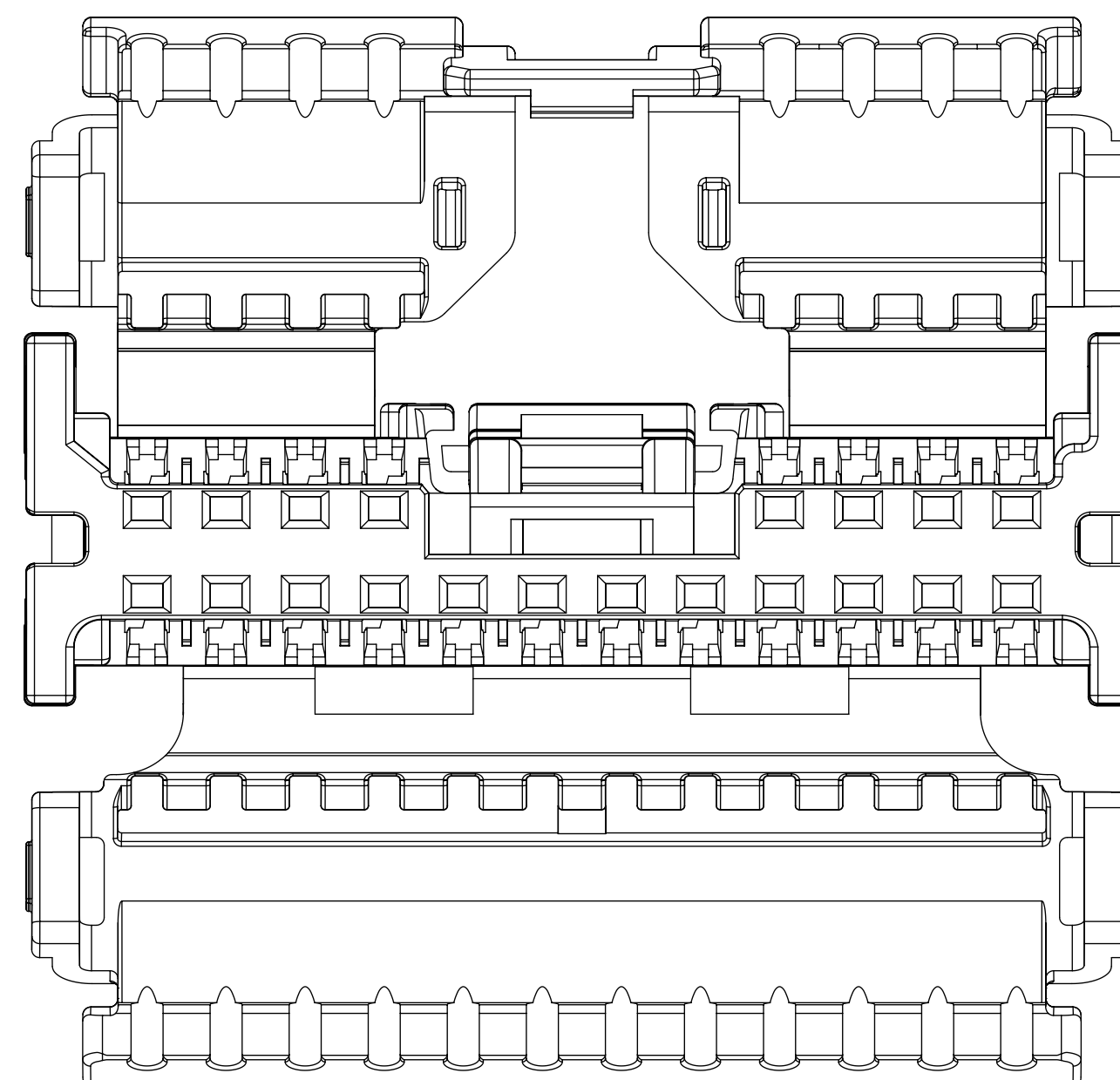
SCALE 7:1



20 CIRCUIT RECEPTACLE WITHOUT LOCK BRIDGE  
POLARIZATION OPTION A

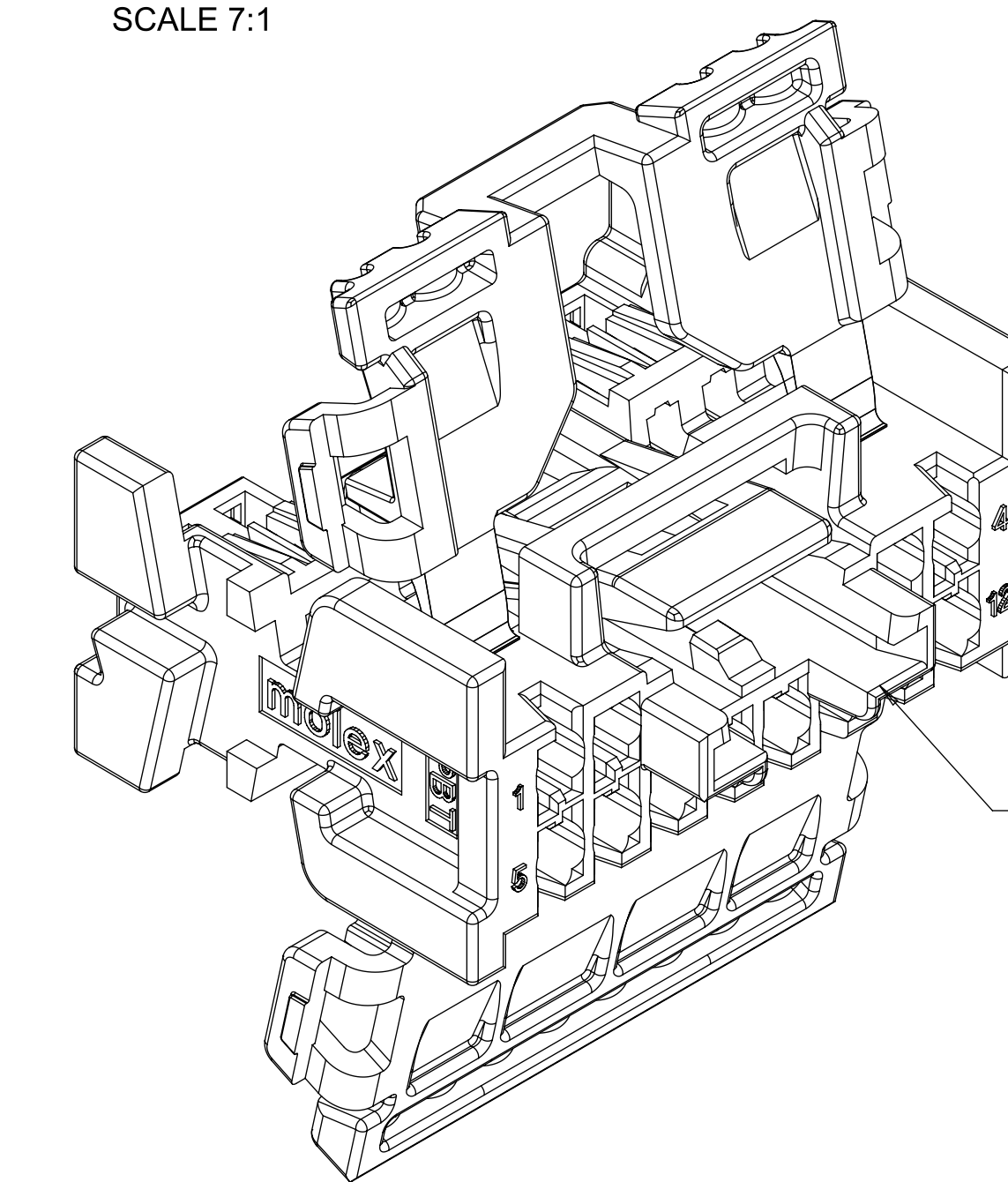


20 CIRCUIT RECEPTACLE WITHOUT LOCK BRIDGE  
POLARIZATION OPTION B



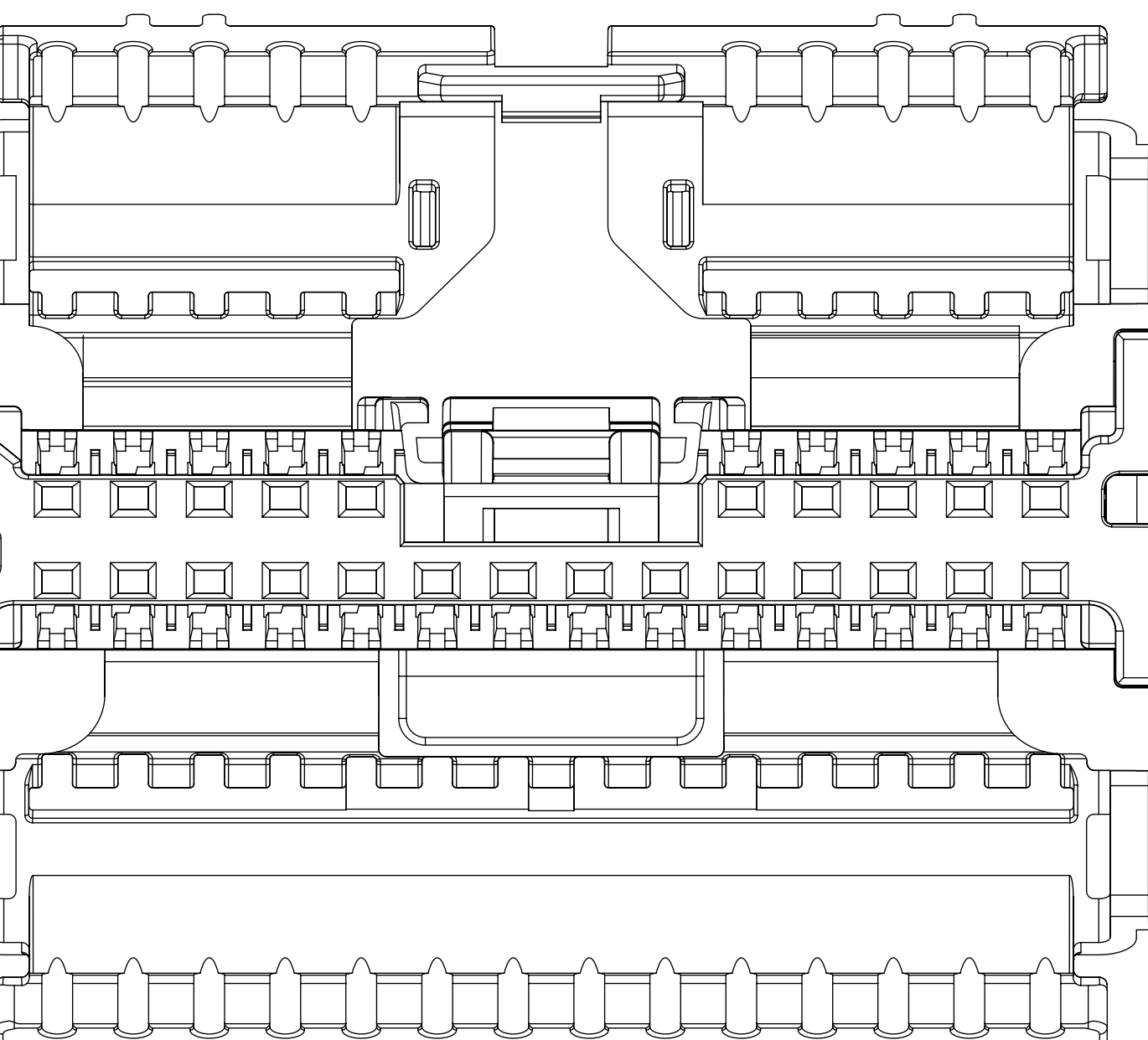
20 CIRCUIT RECEPTACLE WITHOUT LOCK BRIDGE  
POLARIZATION OPTION C

SCALE 7:1

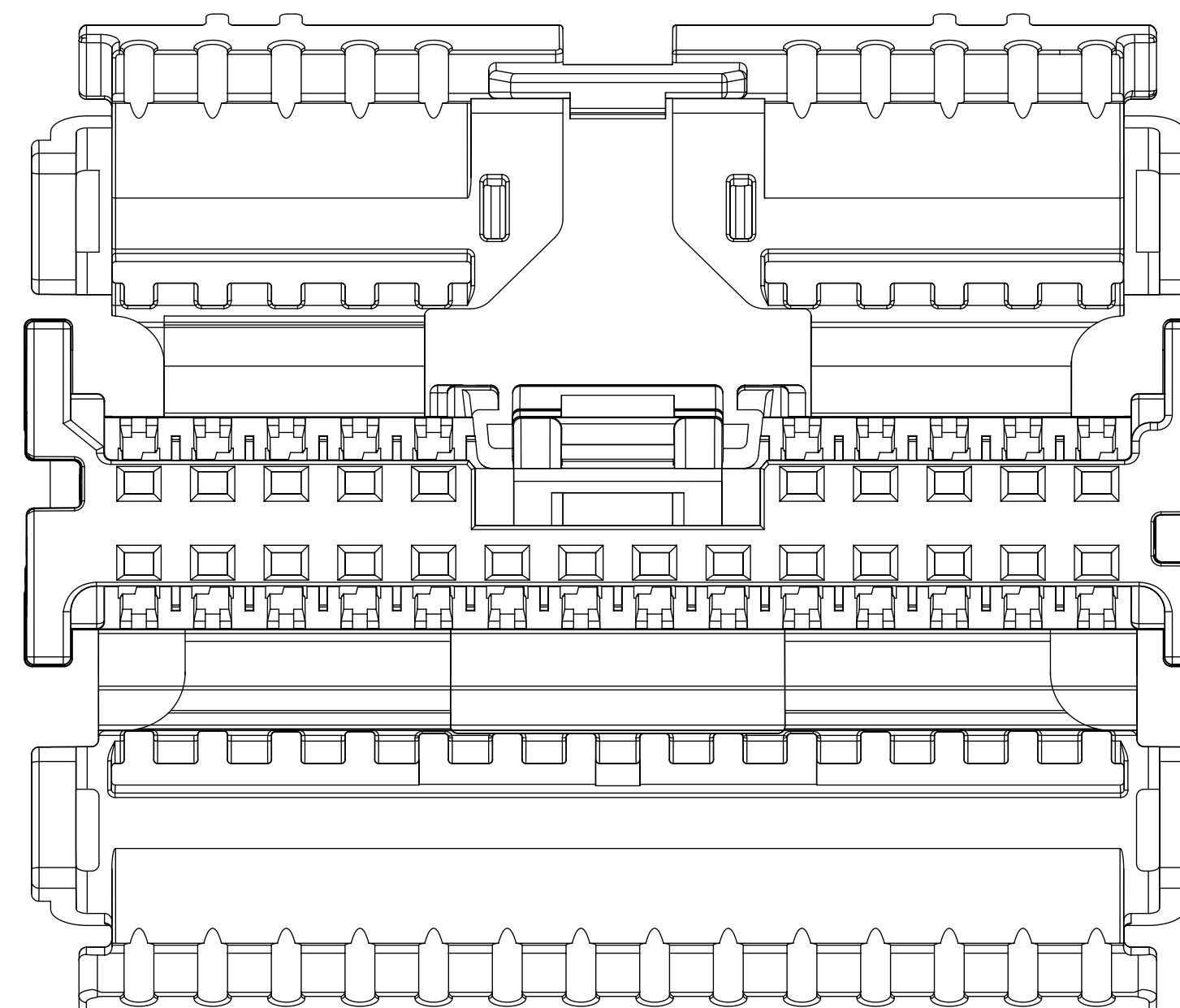


MINI50 WITH BRIDGE OPTION  
COMES WITH CPA TRAY

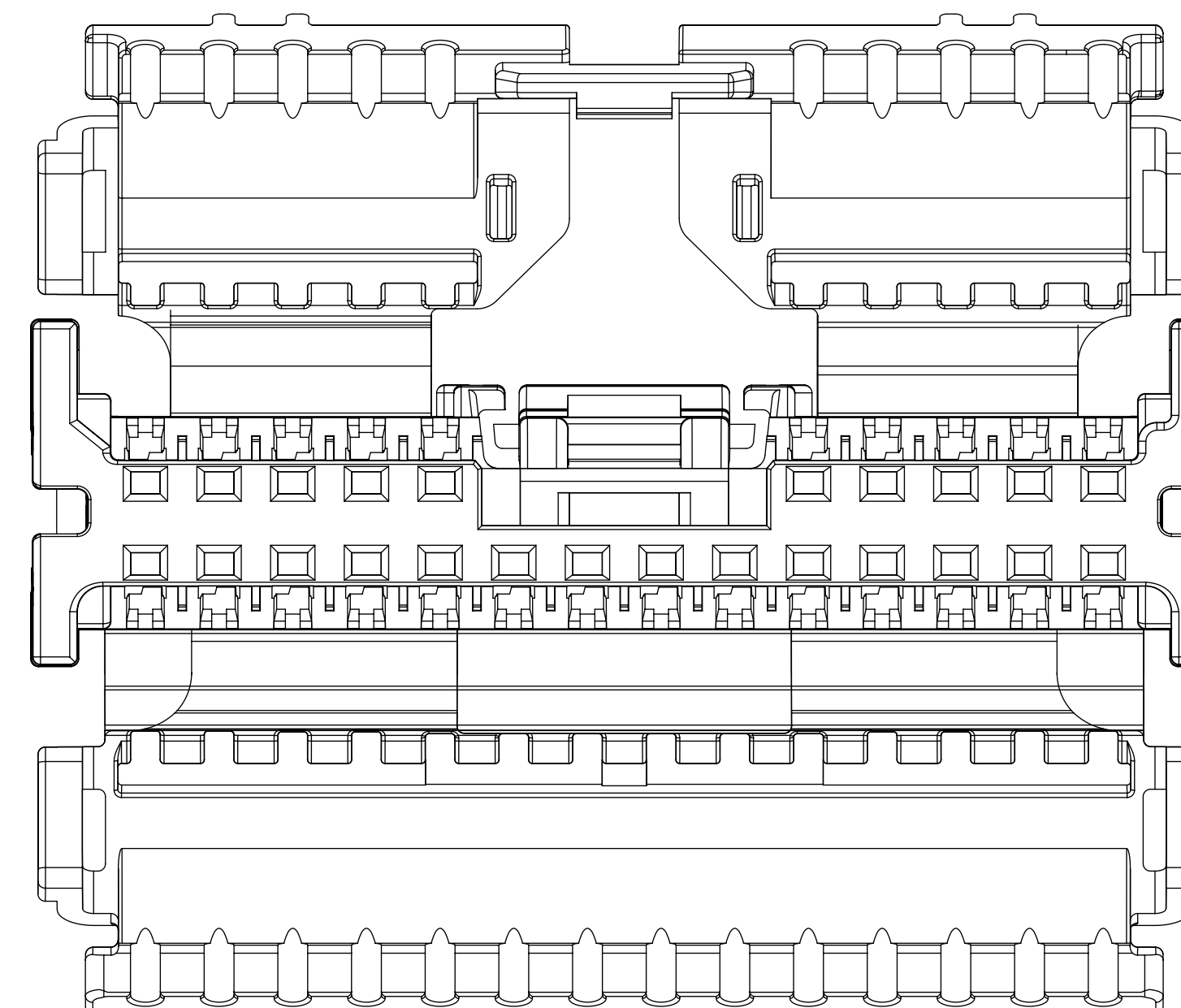
\*REFER TO SD-34824-003 FOR  
CPA-RECEPTACLE ASSEMBLIES



24 CIRCUIT RECEPTACLE WITHOUT LOCK BRIDGE  
POLARIZATION OPTION A



24 CIRCUIT RECEPTACLE WITHOUT LOCK BRIDGE  
POLARIZATION OPTION B



24 CIRCUIT RECEPTACLE WITHOUT LOCK BRIDGE  
POLARIZATION OPTION C

QUALITY SYMBOLS	THIS DRAWING CONTAINS INFORMATION THAT IS PROPRIETARY TO MOLEX ELECTRONIC TECHNOLOGIES, LLC AND SHOULD NOT BE USED WITHOUT WRITTEN PERMISSION																																																												
$\nabla$ = 0	<table border="1"> <tr> <td>EC NO: 118162</td> <td>2017/06/14</td> <td>2017/06/16</td> <td>GENERAL TOLERANCES (UNLESS SPECIFIED)</td> <td>DIMENSION UNITS</td> <td>SCALE</td> </tr> <tr> <td>DRWN: THAZEL</td> <td></td> <td></td> <td>MM ONLY</td> <td>6:1</td> <td></td> </tr> <tr> <td>CHKD:</td> <td></td> <td></td> <td>ANGULAR TOL <math>\pm</math></td> <td>TCUCU</td> <td>2011/03/10</td> </tr> <tr> <td>REV</td> <td></td> <td></td> <td>4 PLACES <math>\pm</math></td> <td>CHK'D BY</td> <td>DATE</td> </tr> <tr> <td></td> <td></td> <td></td> <td>3 PLACES <math>\pm</math></td> <td>TMACHUGA</td> <td>2011/03/11</td> </tr> <tr> <td></td> <td></td> <td></td> <td>2 PLACES <math>\pm 0.1</math></td> <td>APPR BY</td> <td>DATE</td> </tr> <tr> <td></td> <td></td> <td></td> <td>1 PLACE <math>\pm 0.2</math></td> <td>SMARCEAU</td> <td>2012/05/21</td> </tr> <tr> <td></td> <td></td> <td></td> <td>0 PLACES <math>\pm</math></td> <td>DRAWING SIZE</td> <td>THIRD ANGLE PROJECTION</td> </tr> <tr> <td></td> <td></td> <td></td> <td>DRAFT WHERE APPLICABLE MUST REMAIN WITHIN DIMENSIONS</td> <td>E</td> <td></td> </tr> <tr> <td></td> <td></td> <td></td> <td></td> <td></td> <td></td> </tr> </table>	EC NO: 118162	2017/06/14	2017/06/16	GENERAL TOLERANCES (UNLESS SPECIFIED)	DIMENSION UNITS	SCALE	DRWN: THAZEL			MM ONLY	6:1		CHKD:			ANGULAR TOL $\pm$	TCUCU	2011/03/10	REV			4 PLACES $\pm$	CHK'D BY	DATE				3 PLACES $\pm$	TMACHUGA	2011/03/11				2 PLACES $\pm 0.1$	APPR BY	DATE				1 PLACE $\pm 0.2$	SMARCEAU	2012/05/21				0 PLACES $\pm$	DRAWING SIZE	THIRD ANGLE PROJECTION				DRAFT WHERE APPLICABLE MUST REMAIN WITHIN DIMENSIONS	E							
EC NO: 118162		2017/06/14	2017/06/16	GENERAL TOLERANCES (UNLESS SPECIFIED)	DIMENSION UNITS	SCALE																																																							
DRWN: THAZEL				MM ONLY	6:1																																																								
CHKD:				ANGULAR TOL $\pm$	TCUCU	2011/03/10																																																							
REV				4 PLACES $\pm$	CHK'D BY	DATE																																																							
				3 PLACES $\pm$	TMACHUGA	2011/03/11																																																							
				2 PLACES $\pm 0.1$	APPR BY	DATE																																																							
				1 PLACE $\pm 0.2$	SMARCEAU	2012/05/21																																																							
				0 PLACES $\pm$	DRAWING SIZE	THIRD ANGLE PROJECTION																																																							
				DRAFT WHERE APPLICABLE MUST REMAIN WITHIN DIMENSIONS	E																																																								

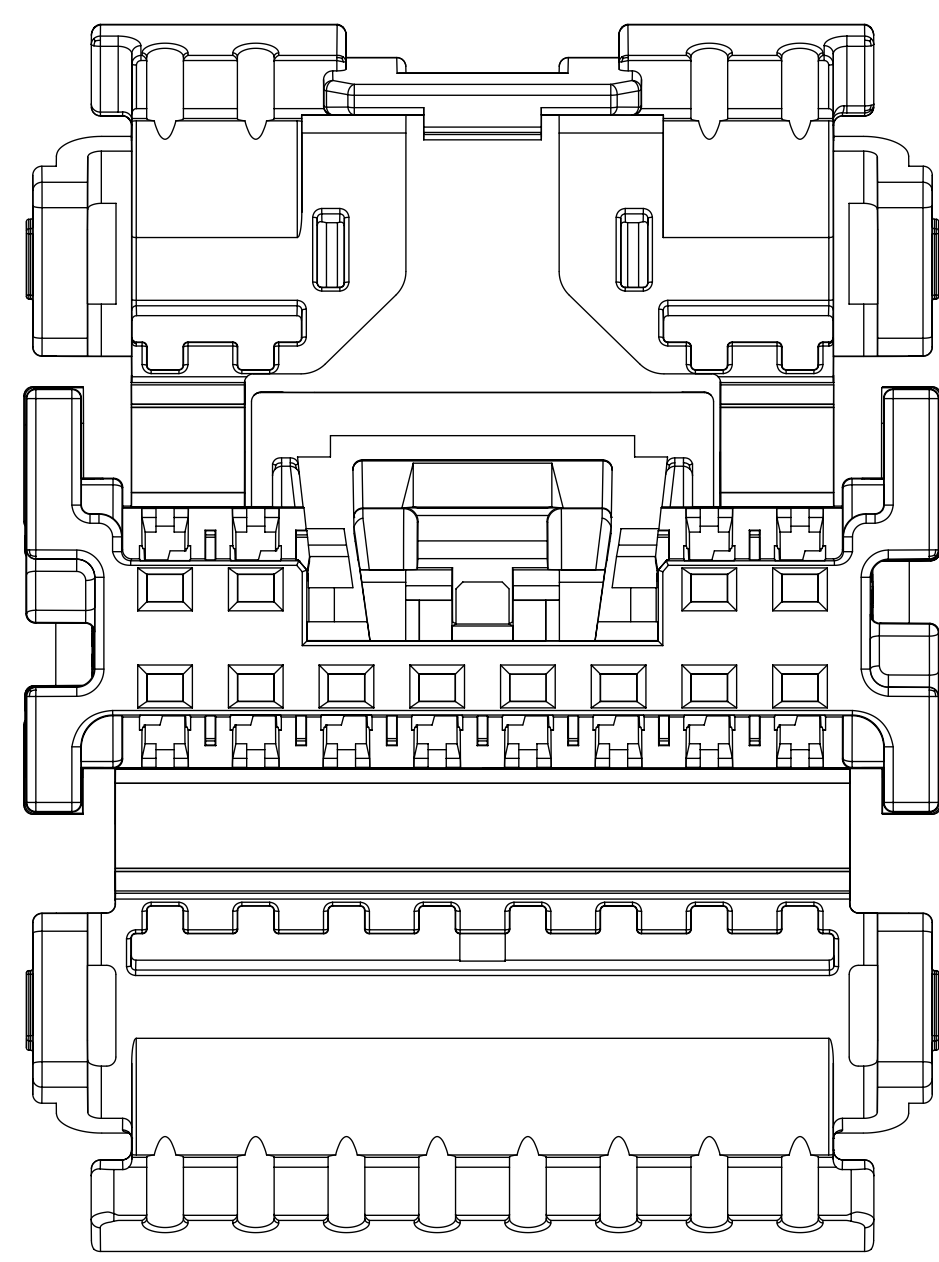
INSPECTION BALLOON NUMBER	
PER DRAWING REVISION: L	
LAST BALLOON USED: 17	
ADDED BALLOON NUMBERS:	
REMOVED BALLOON NUMBERS:	
L	UPDATED 24 CKT
REV	DESCRIPTION

**molex**

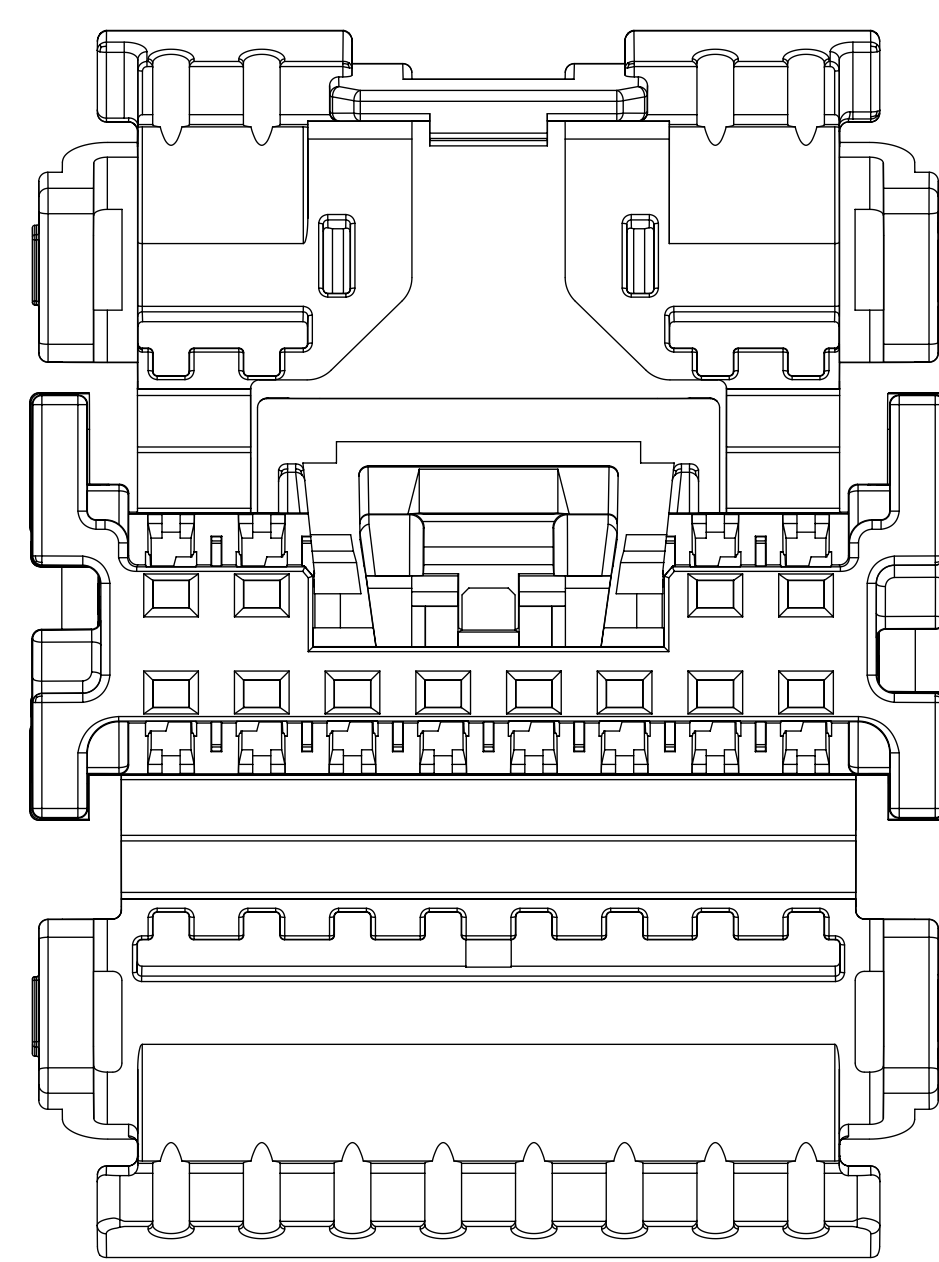
MINI50 DUAL ROW  
RECEPTACLE SALES DRAWING

PRODUCT CUSTOMER DRAWING

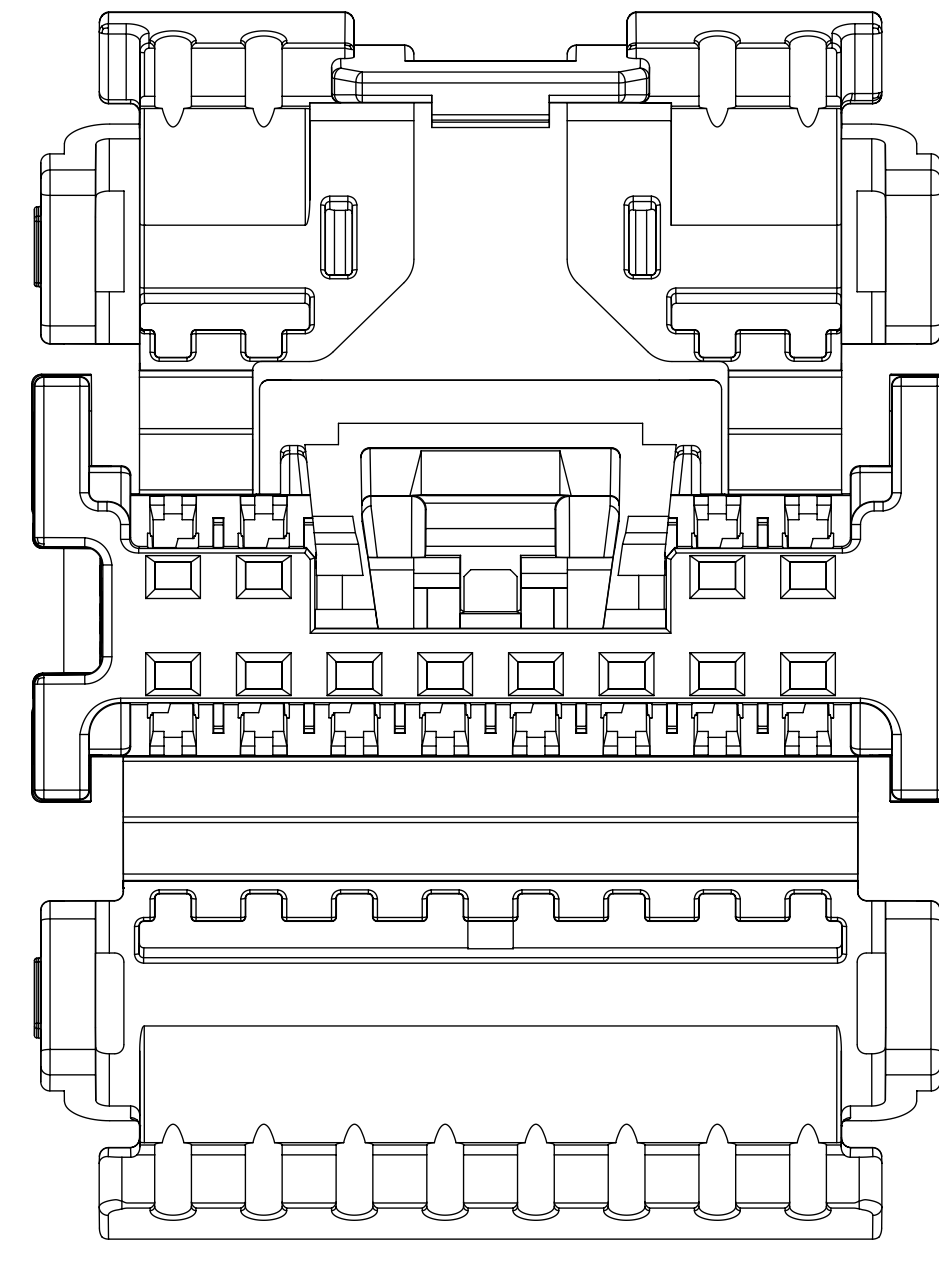
SERIES	MATERIAL NUMBER	CUSTOMER
34824	SEE TABLE	GENERAL MARKET
DOCUMENT NUMBER	DOC TYPE	DOC PART
SD-34824-002	PSD	001
SHEET NUMBER	1 OF 4	



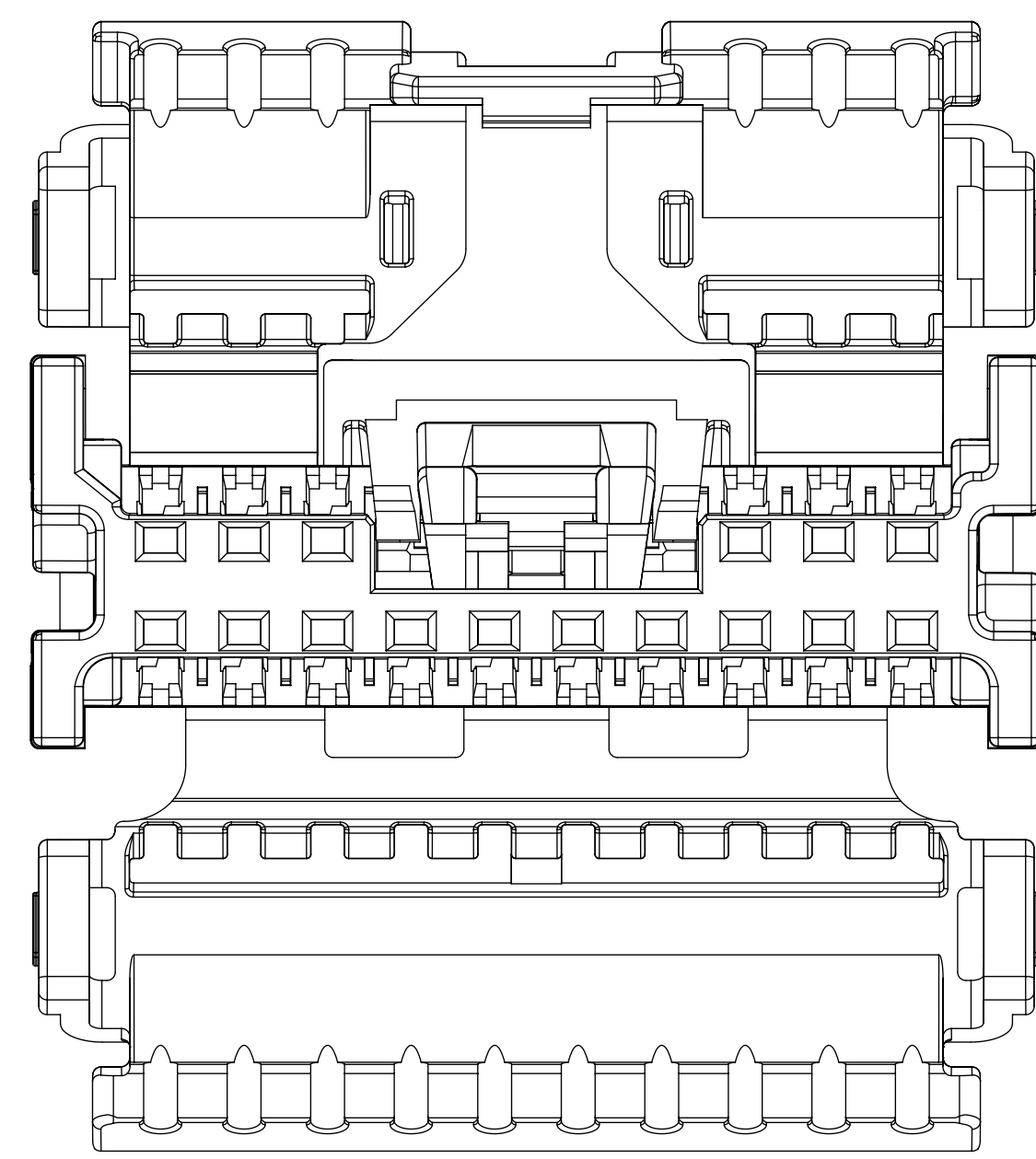
12 CIRCUIT RECEPTACLE WITH LOCK BRIDGE  
POLARIZATION OPTION A  
USCAR COMPATIBLE



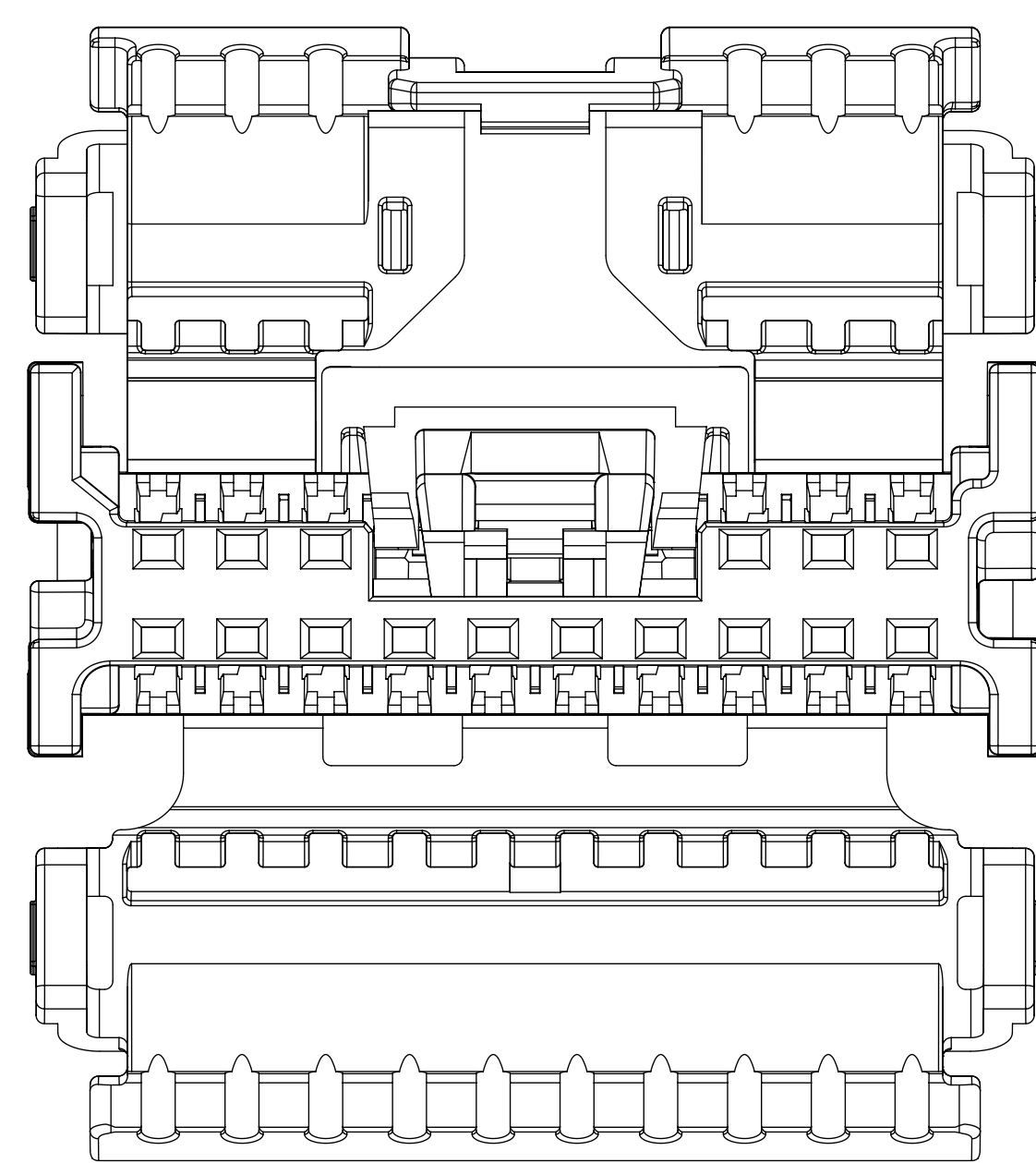
12 CIRCUIT RECEPTACLE WITH LOCK BRIDGE  
POLARIZATION OPTION B  
USCAR COMPATIBLE



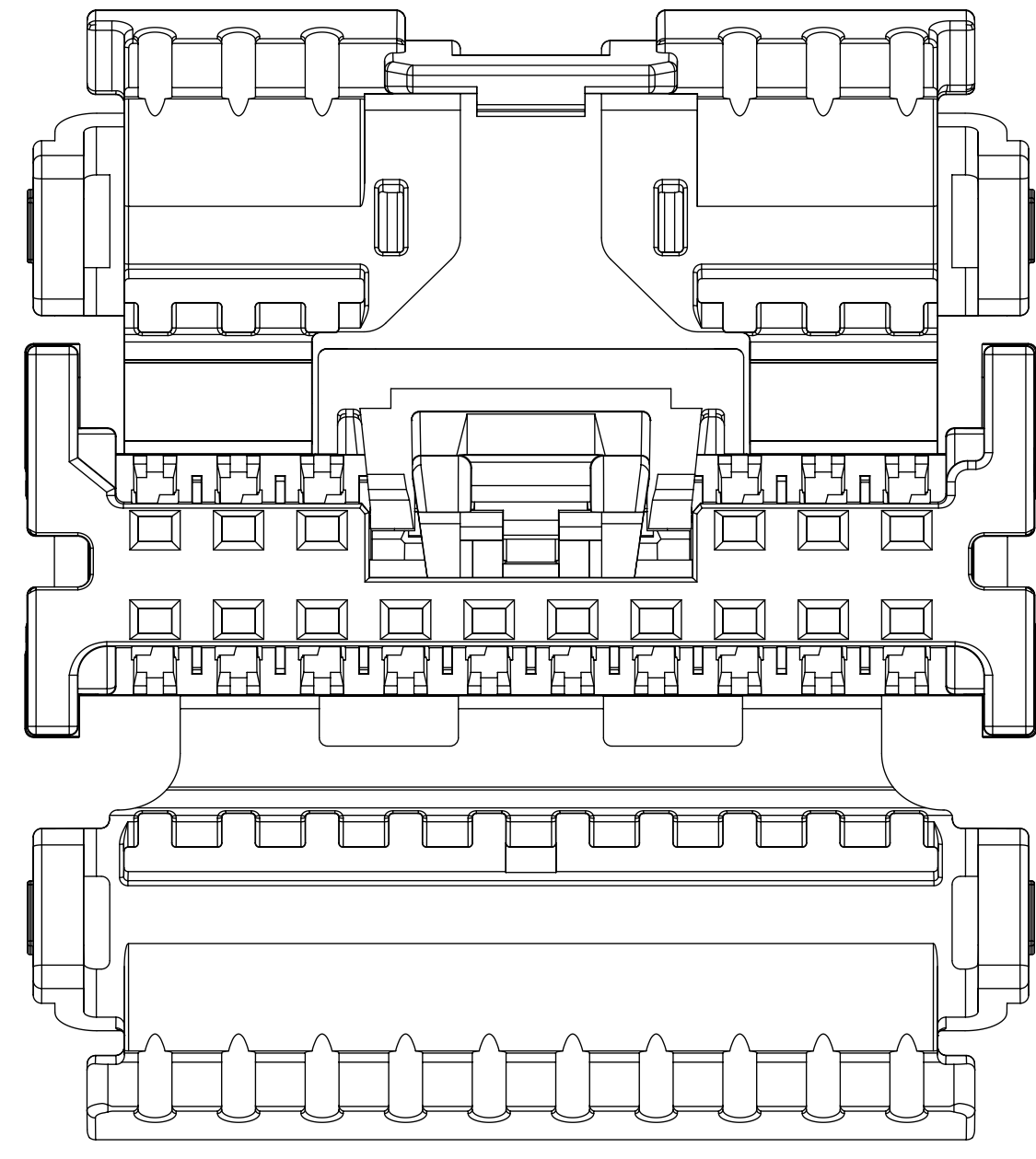
12 CIRCUIT RECEPTACLE WITH LOCK BRIDGE  
POLARIZATION OPTION C  
USCAR COMPATIBLE



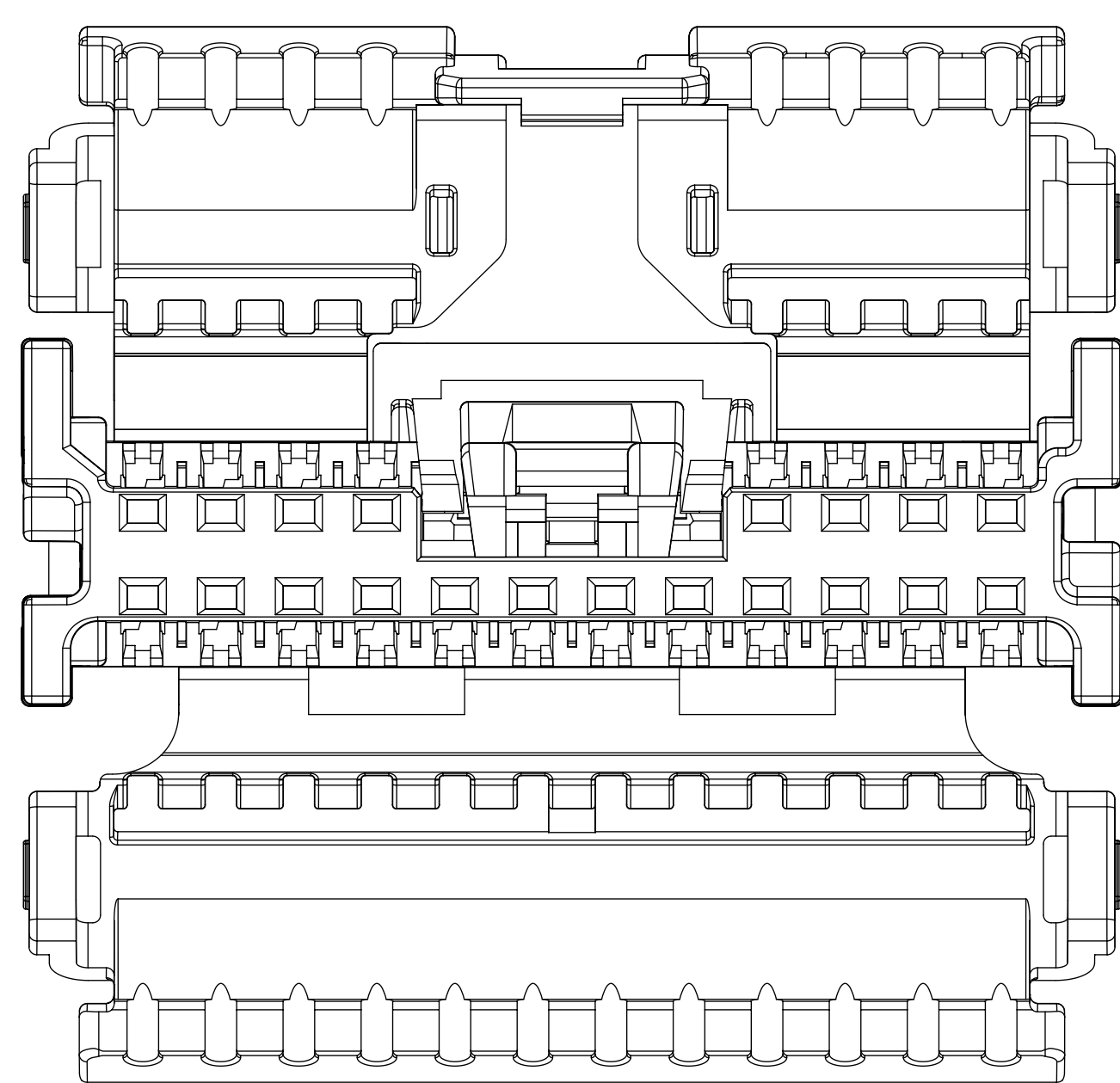
16 CIRCUIT RECEPTACLE WITH LOCK BRIDGE  
POLARIZATION OPTION A



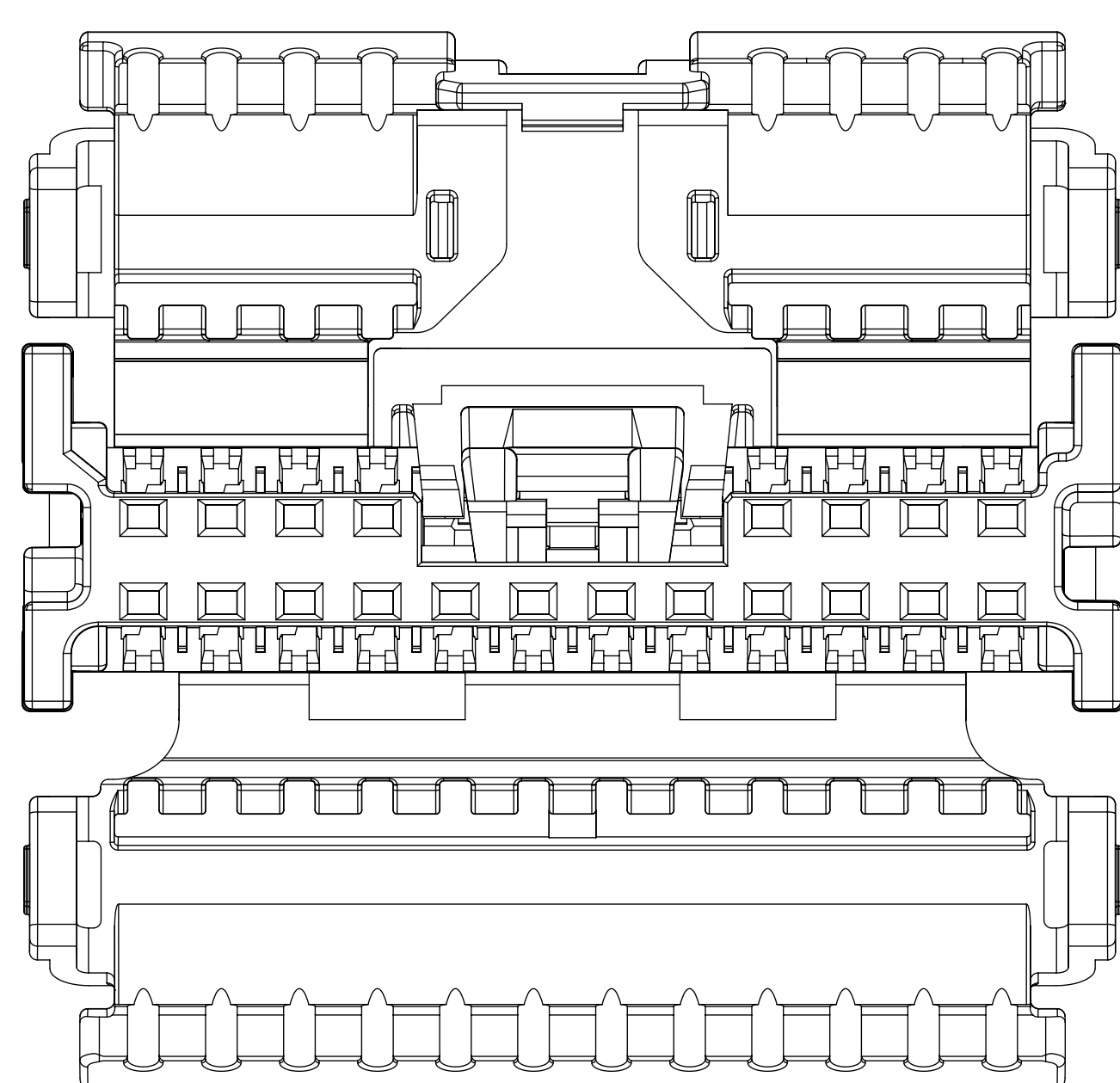
16 CIRCUIT RECEPTACLE WITH LOCK BRIDGE  
POLARIZATION OPTION B



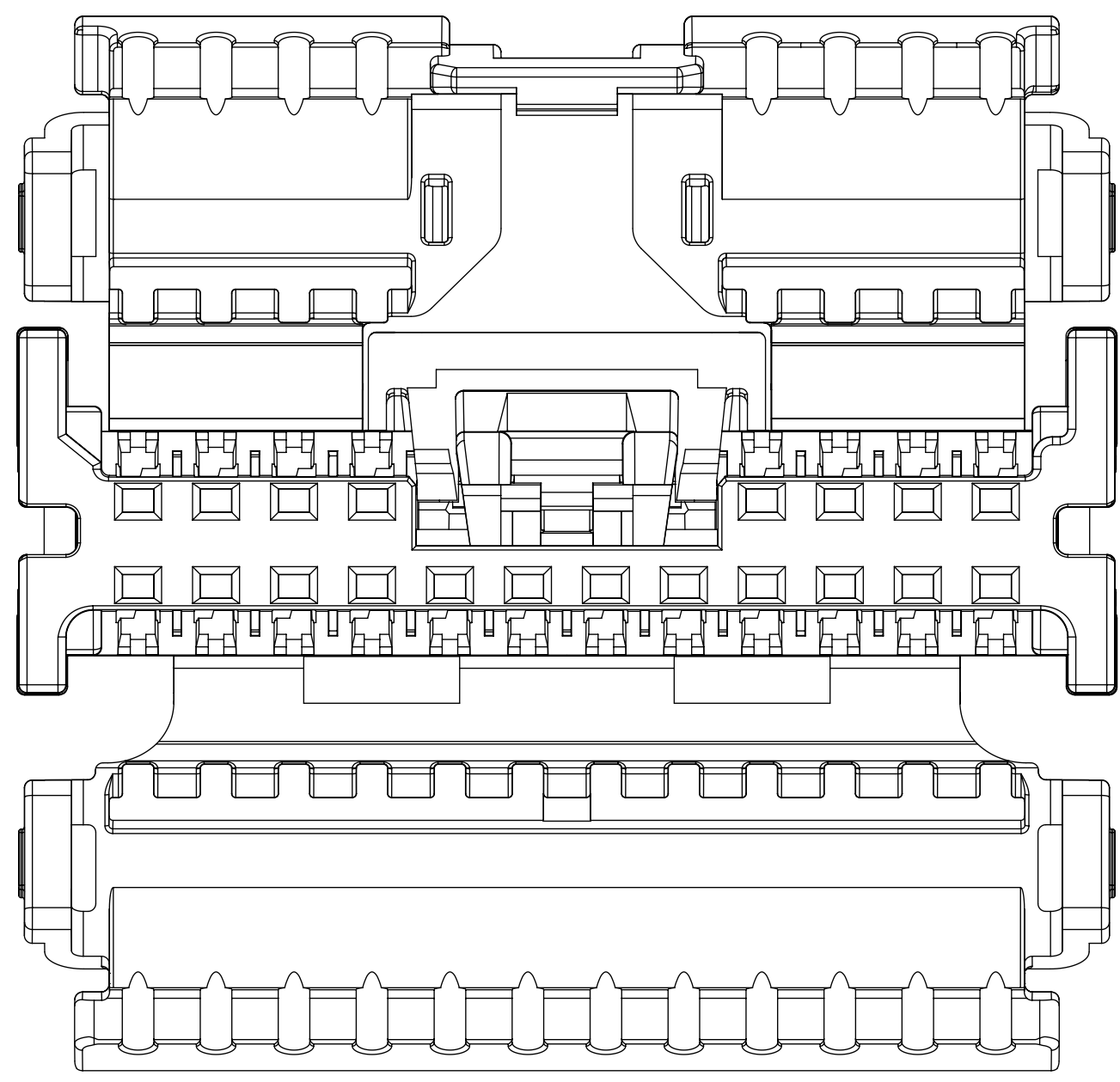
16 CIRCUIT RECEPTACLE WITH LOCK BRIDGE  
POLARIZATION OPTION C



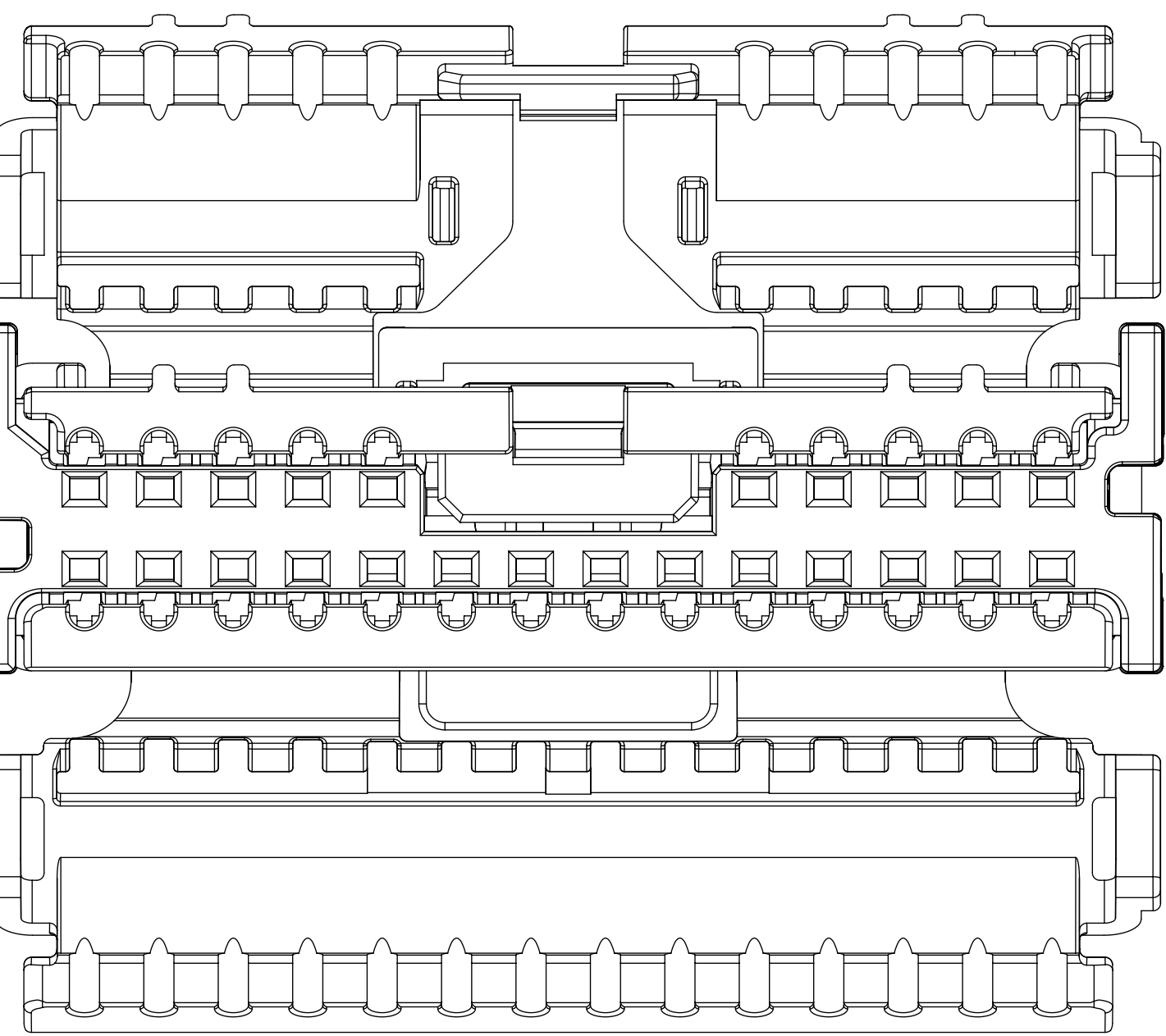
20 CIRCUIT RECEPTACLE WITH LOCK BRIDGE  
POLARIZATION OPTION A



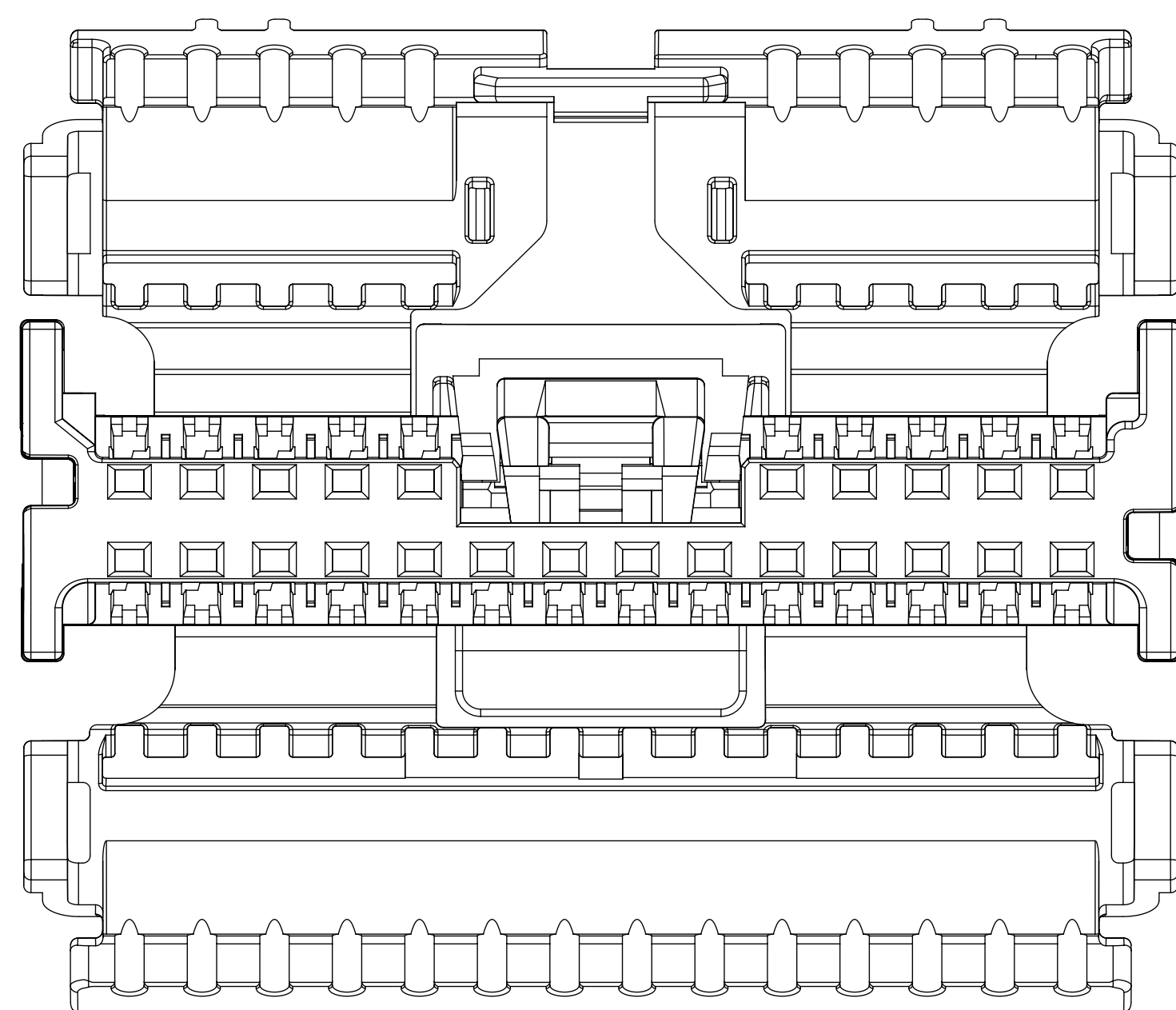
20 CIRCUIT RECEPTACLE WITH LOCK BRIDGE  
POLARIZATION OPTION B



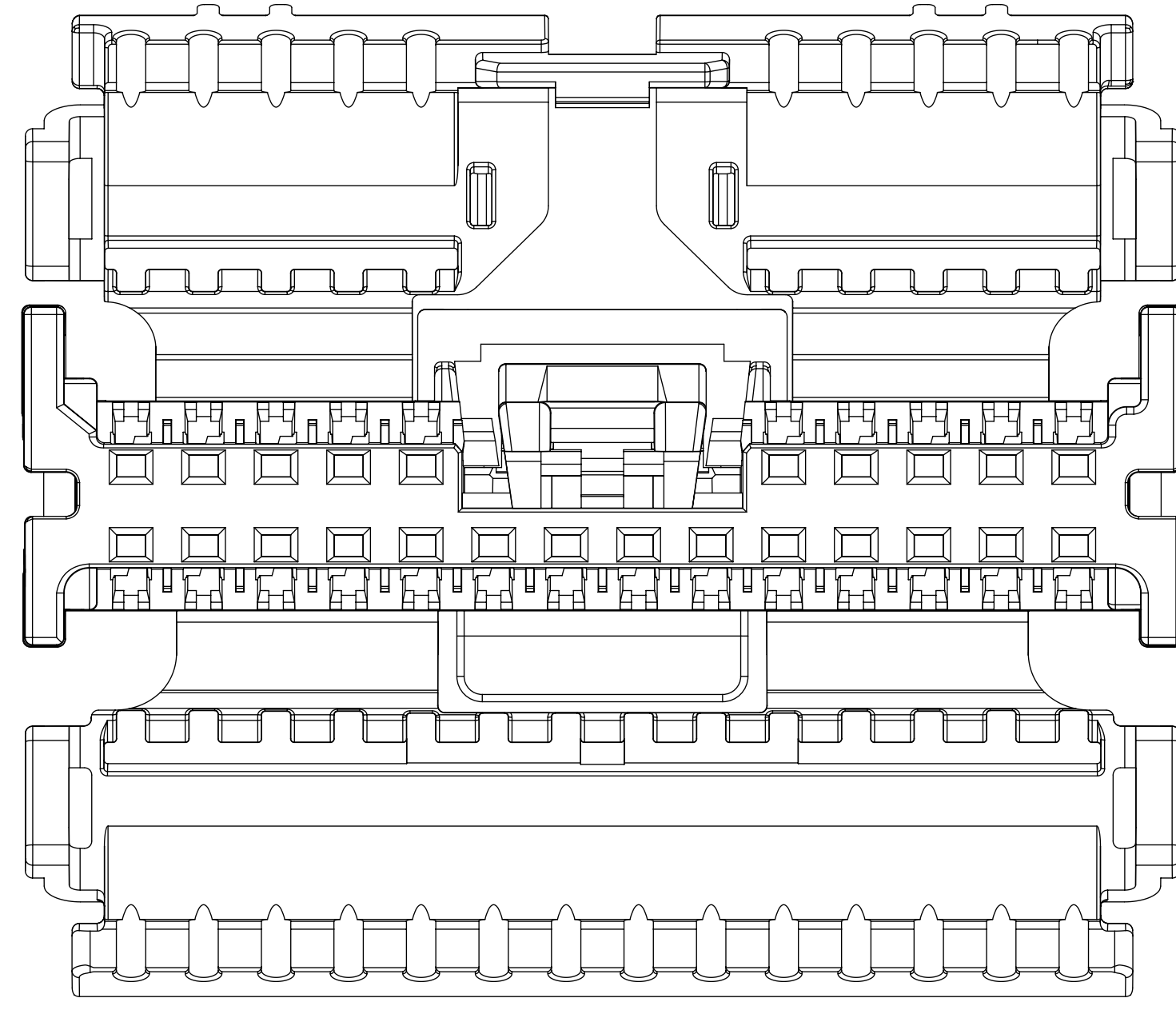
20 CIRCUIT RECEPTACLE WITH LOCK BRIDGE  
POLARIZATION OPTION C



24 CIRCUIT RECEPTACLE WITH LOCK BRIDGE  
POLARIZATION OPTION A



24 CIRCUIT RECEPTACLE WITH LOCK BRIDGE  
POLARIZATION OPTION B



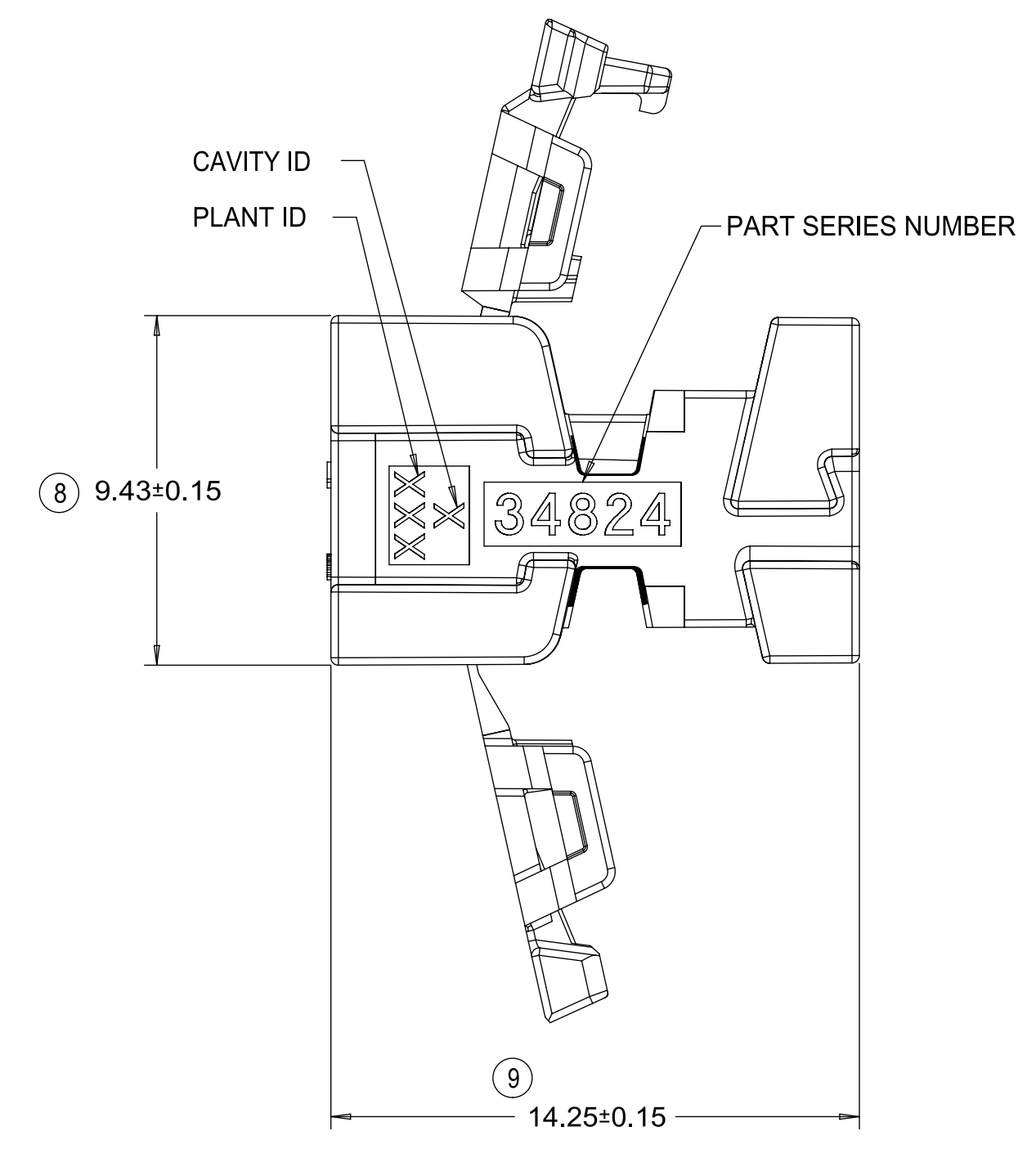
24 CIRCUIT RECEPTACLE WITH LOCK BRIDGE  
POLARIZATION OPTION C

THIS DRAWING CONTAINS INFORMATION THAT IS PROPRIETARY TO MOLEX ELECTRONIC TECHNOLOGIES, LLC AND SHOULD NOT BE USED WITHOUT WRITTEN PERMISSION

<b>QUALITY SYMBOLS</b> 	EC NO: 118162	2017/06/14	2017/06/16	<b>GENERAL TOLERANCES (UNLESS SPECIFIED)</b> ANGULAR TOL ± ° 4 PLACES ± 3 PLACES ± 2 PLACES ± 0.1 1 PLACE ± 0.2 0 PLACES ±	DIMENSION UNITS	SCALE					
	DRWN: THAZEL	CHKD: RBAUMAN	APPR: RBAUMAN		MM ONLY	6:1					
	REV: L1	REV: 1	REV: 1	DRAFT WHERE APPLICABLE MUST REMAIN WITHIN DIMENSIONS	DRWN BY	DATE		TCUCU 2011/03/10 TMACHUGA 2011/03/11 SMARCEAU 2012/05/21	<b>PRODUCT CUSTOMER DRAWING</b>		
					CHK'D BY	DATE					
					APPR BY	DATE		SERIES	MATERIAL NUMBER	CUSTOMER	
					DRAWING SIZE	THIRD ANGLE PROJECTION		34824	SEE TABLE	GENERAL MARKET	
								DOCUMENT NUMBER	DOC TYPE	DOC PART	SHEET NUMBER
								SD-34824-002	PSD	001	2 OF 4

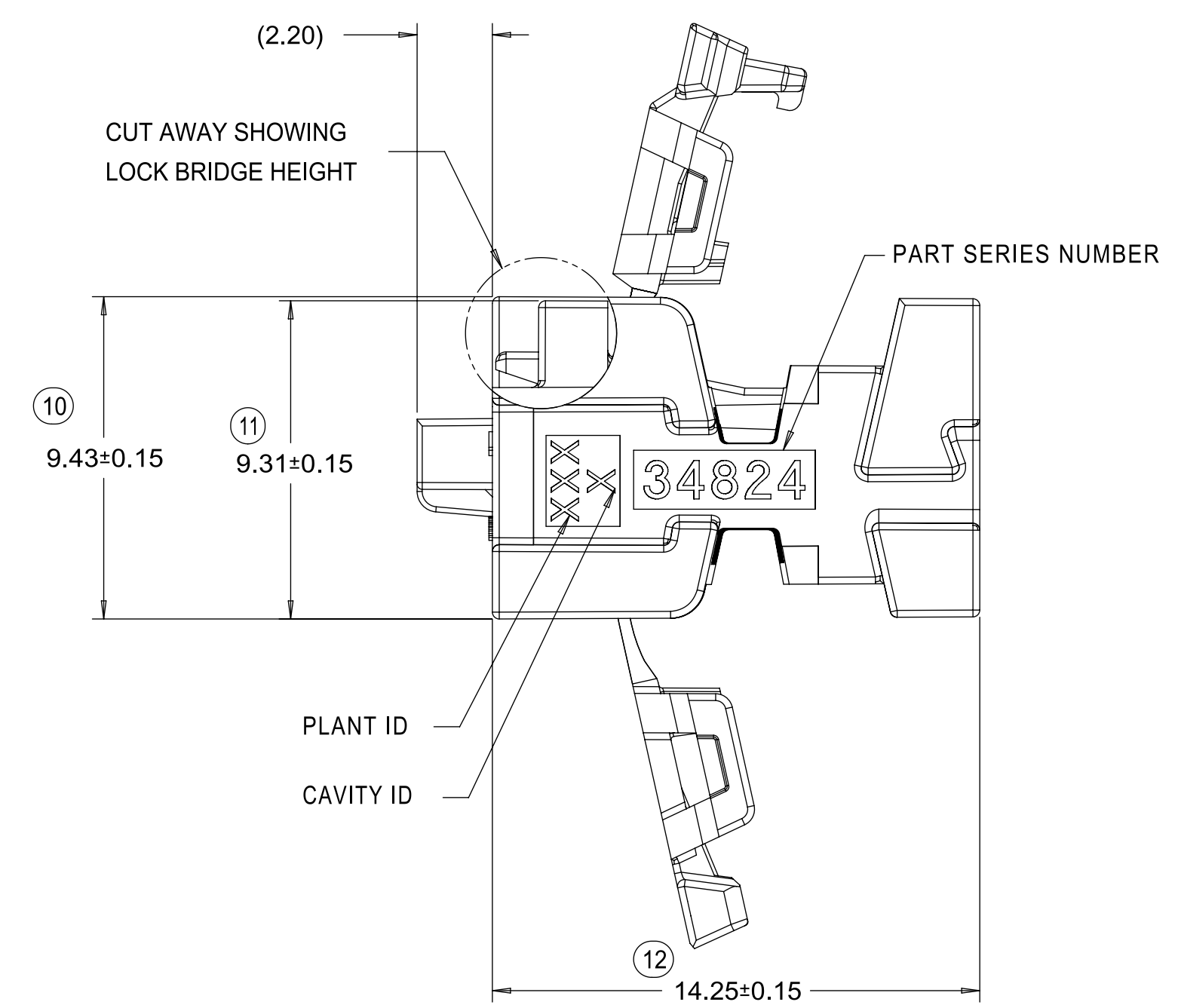


(NON-BRIDGED OPTION SHOWN BELOW)

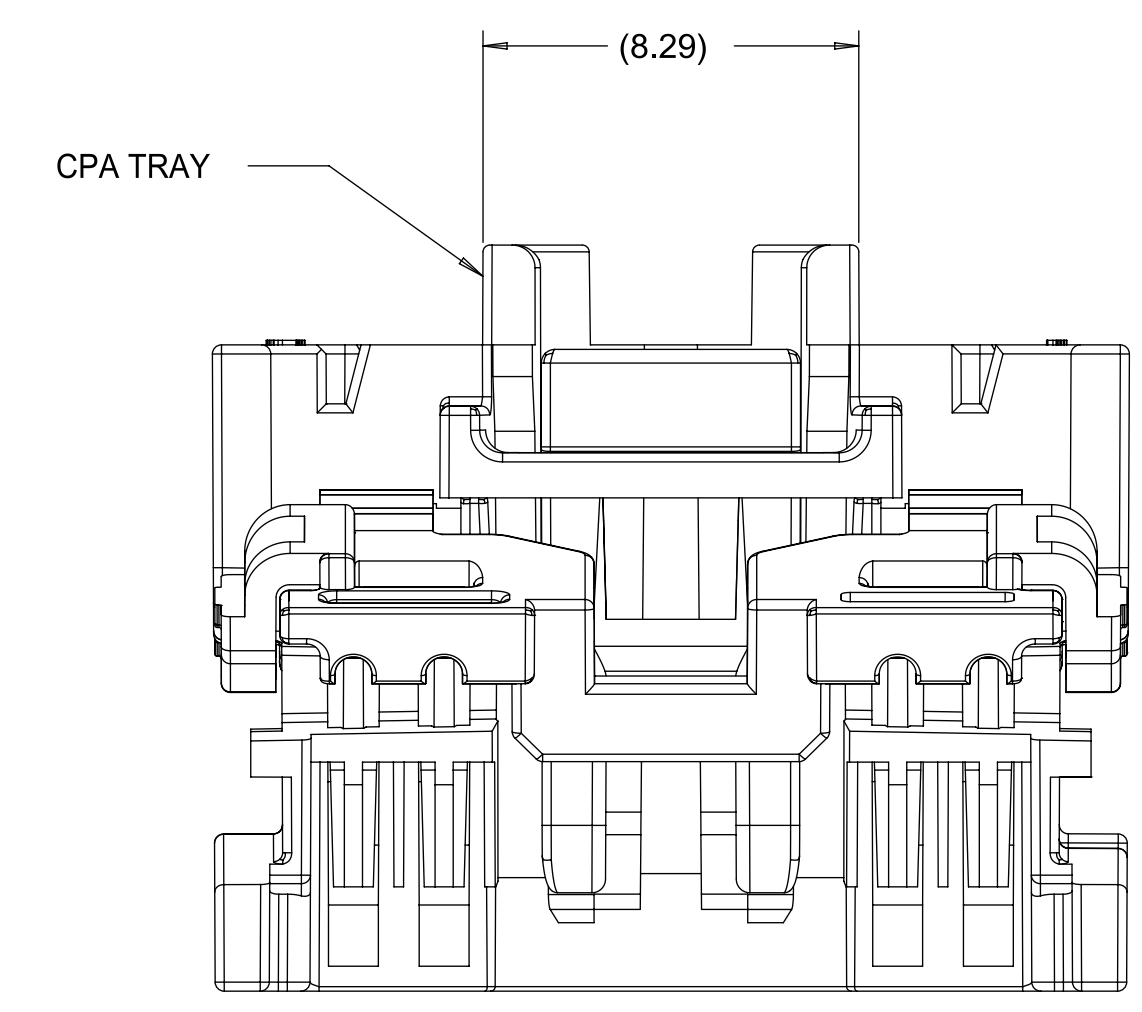


\*NOTE: DIM 9 & DIM 12 TOLERANCE IS +0.30/-0.15 FOR P/N 34824-0244/5/6 AND P/N 34824-1244/5/6

(BRIDGED OPTION SHOWN BELOW)

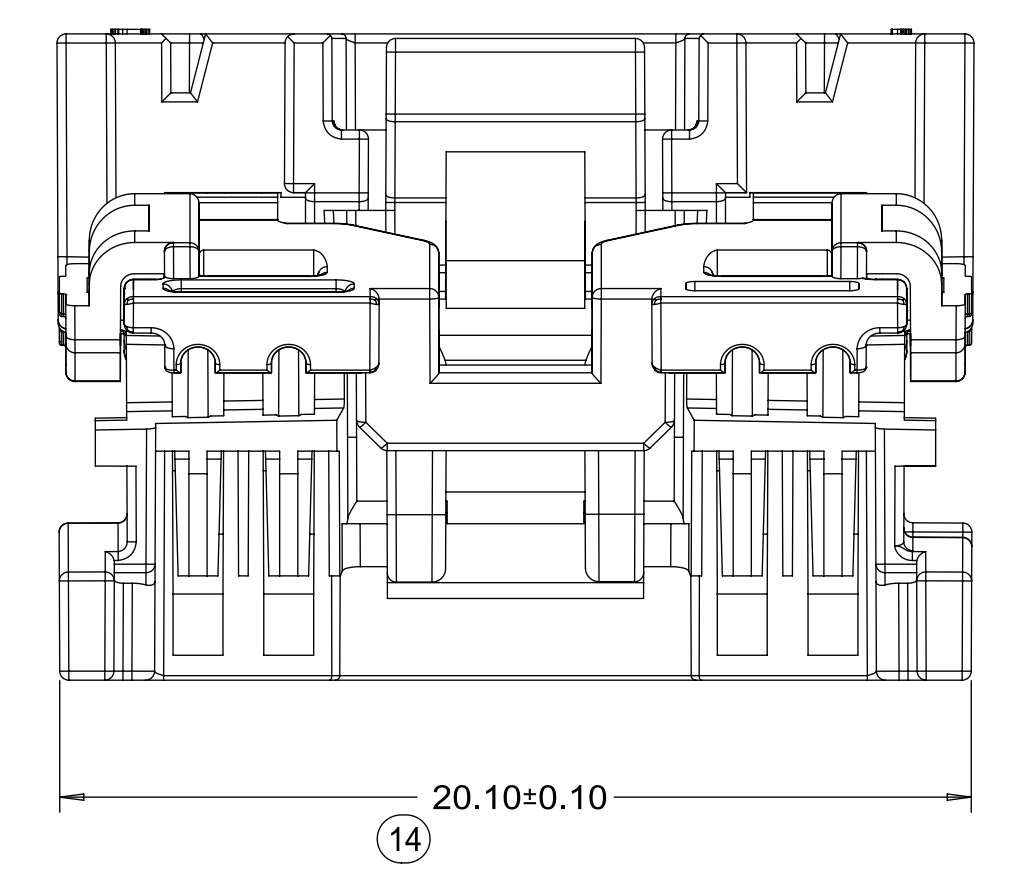


\*NOTE: DIM 9 & DIM 12 TOLERANCE IS +0.30/-0.15 FOR P/N 34824-0244/5/6 AND P/N 34824-1244/5/6

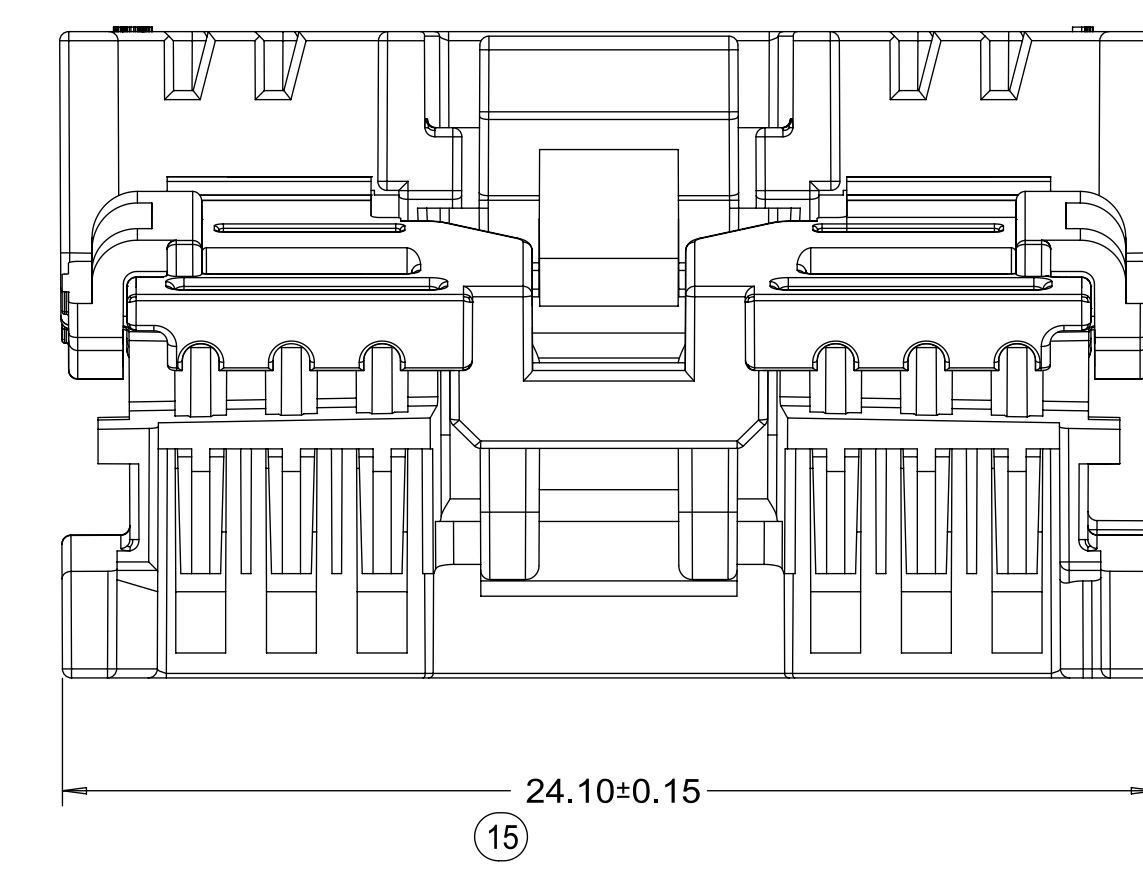


(BRIDGED OPTION SHOWN)

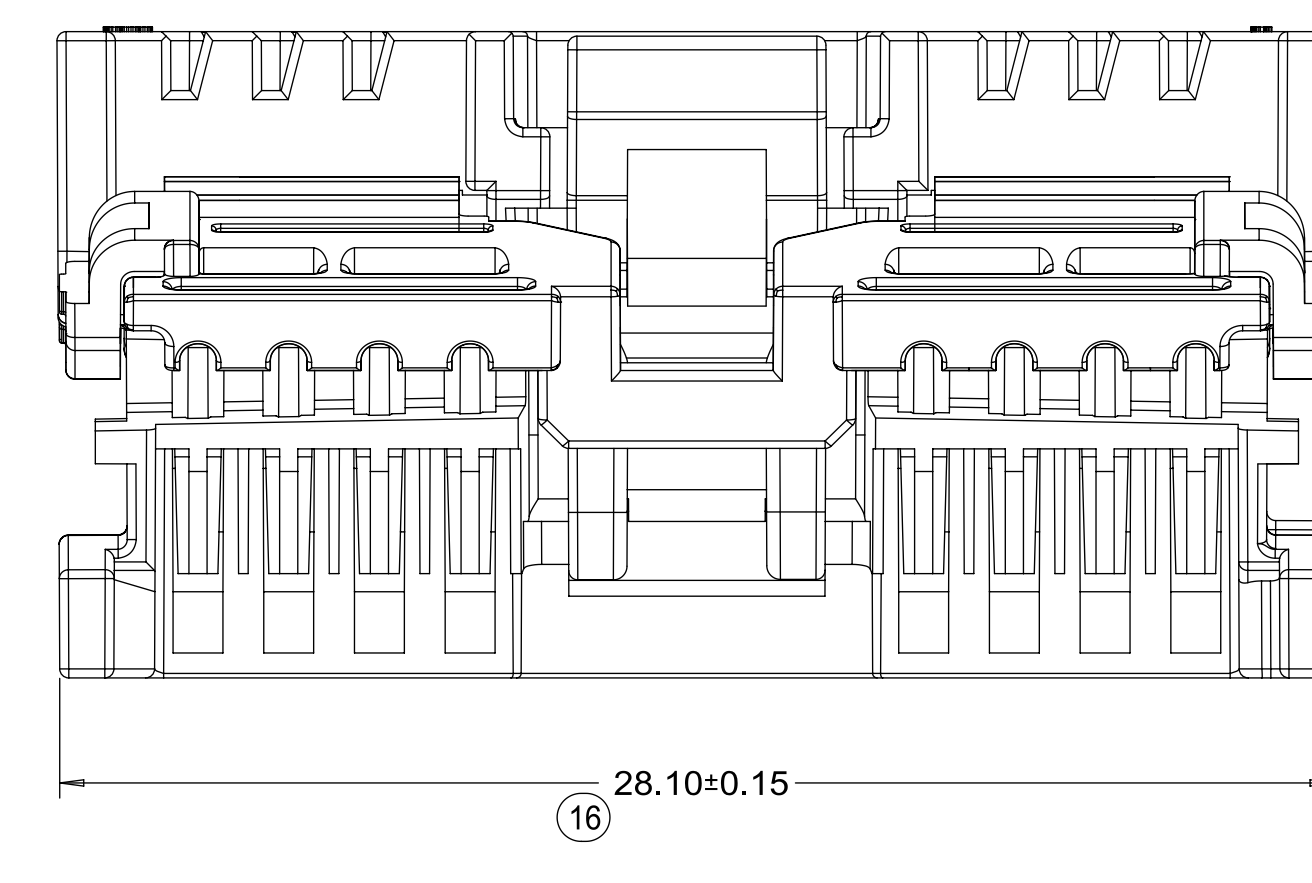
12 CIRCUIT USCAR COMPATIBLE RECEPTACLE



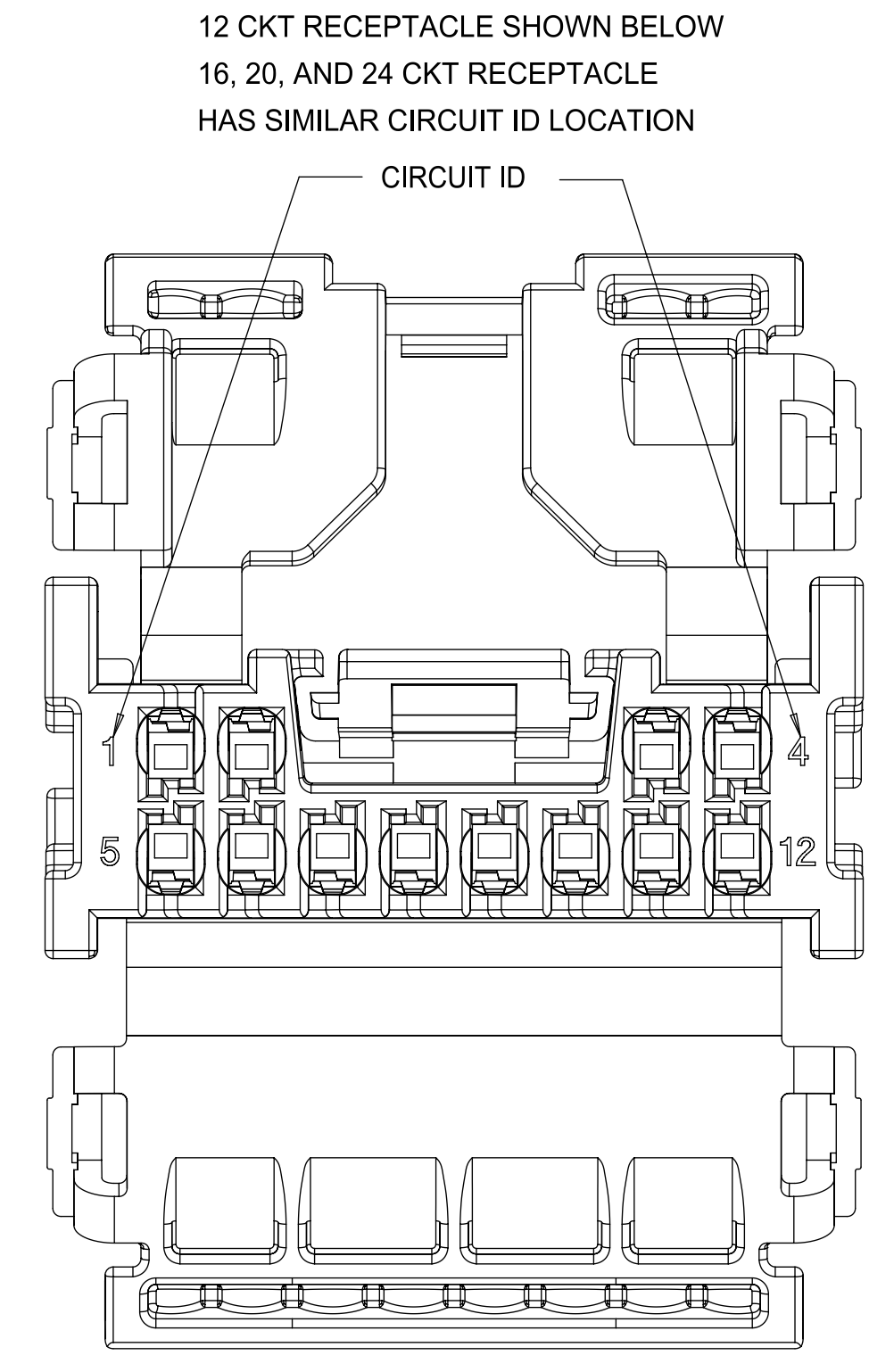
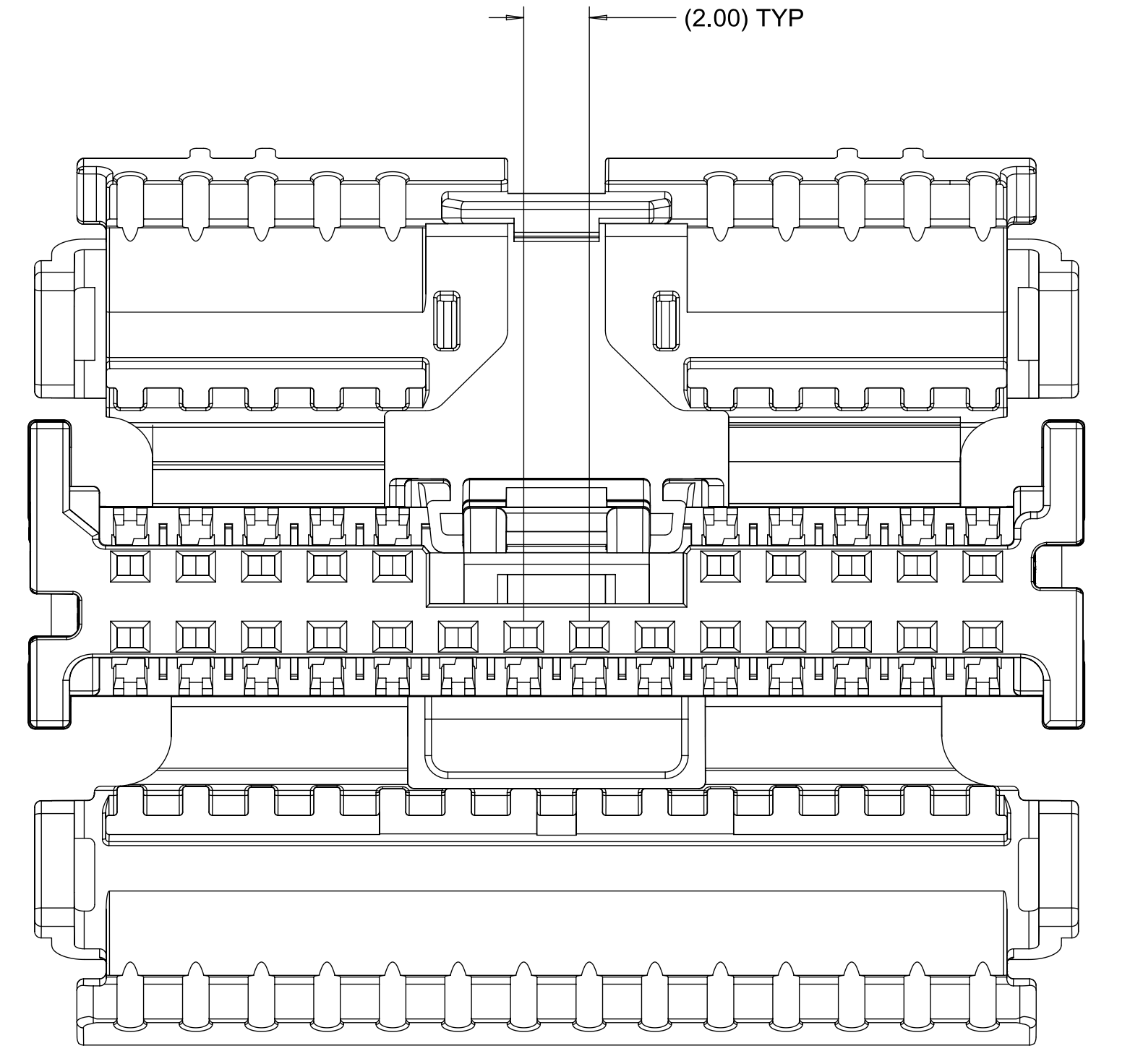
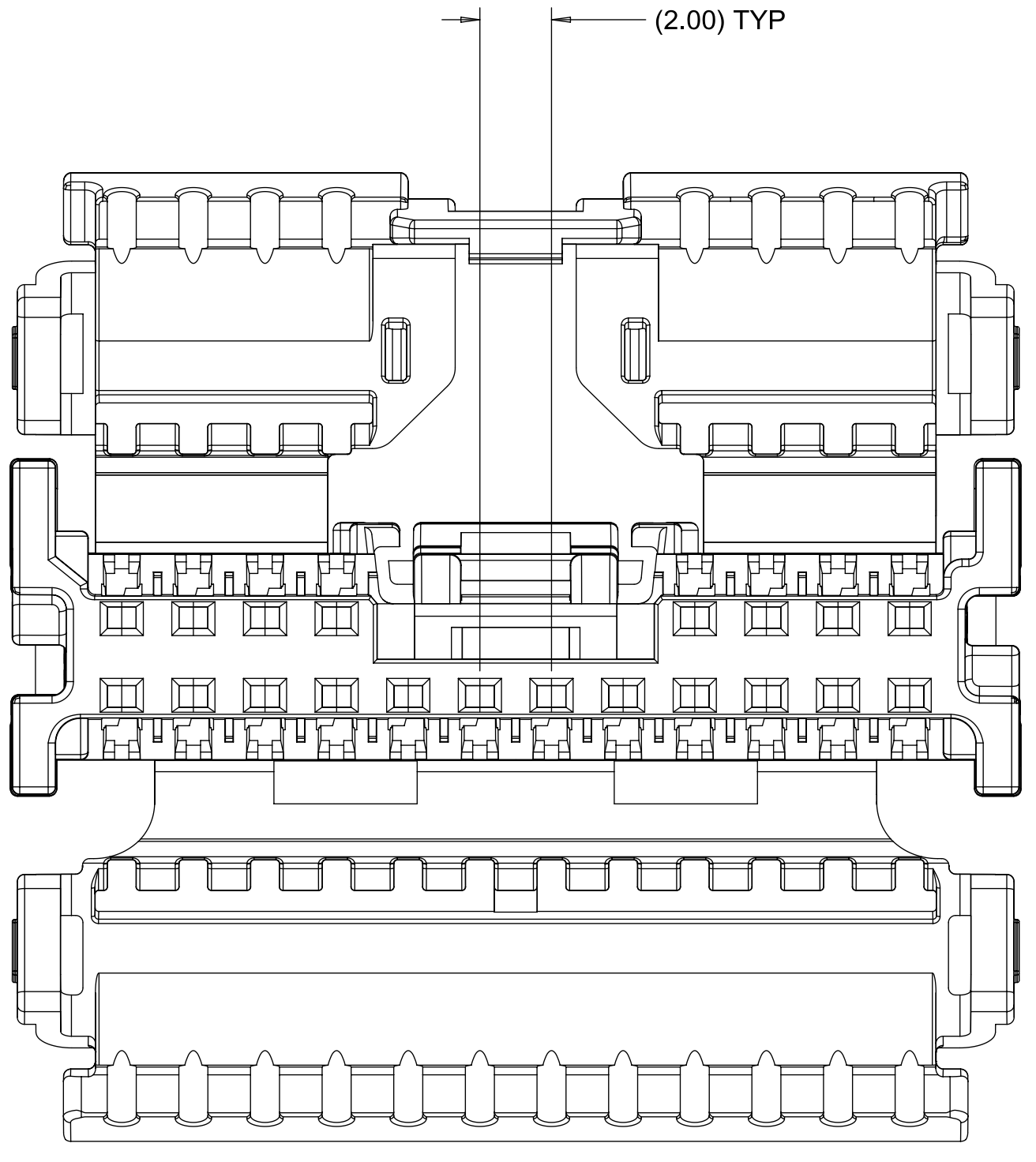
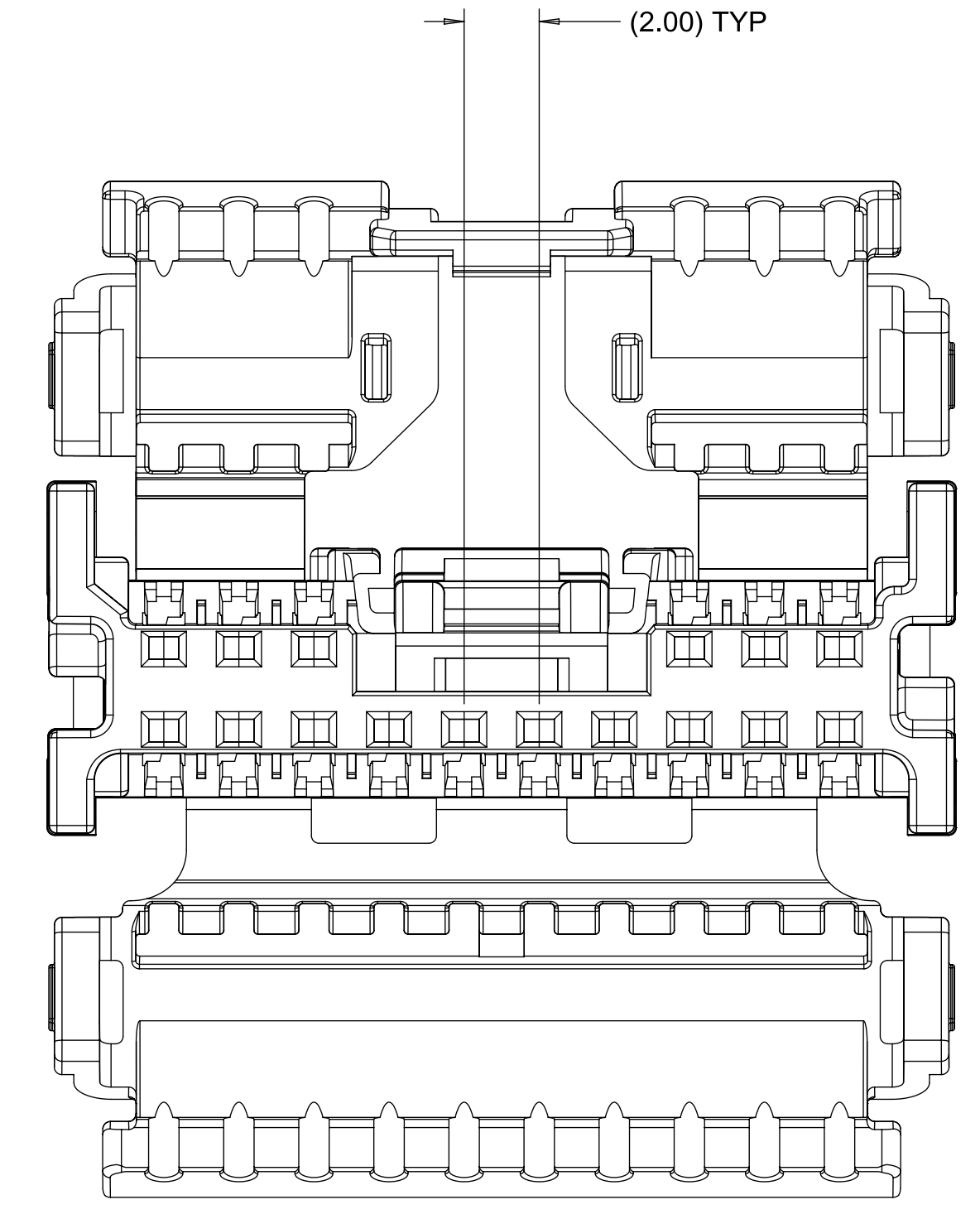
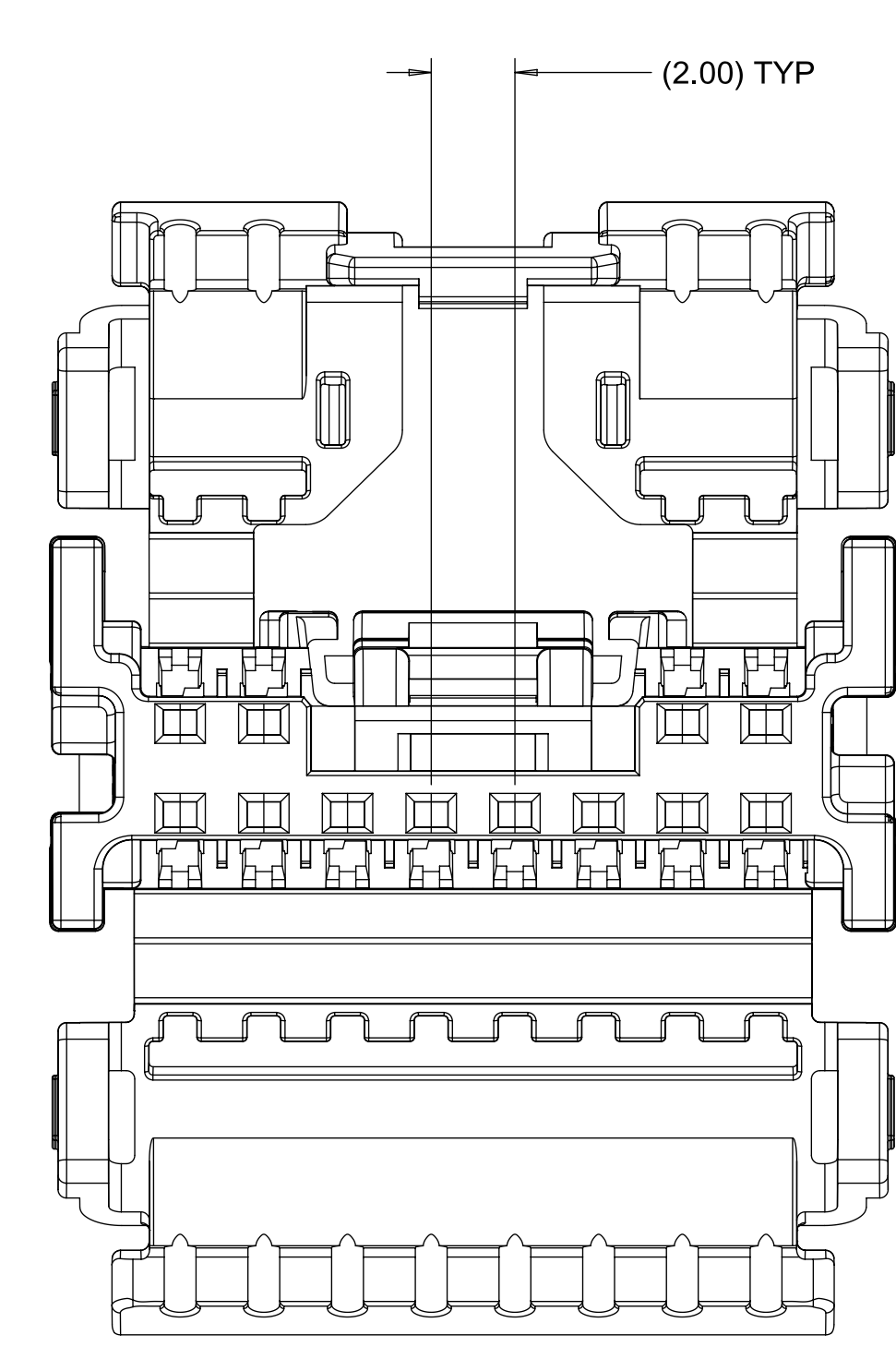
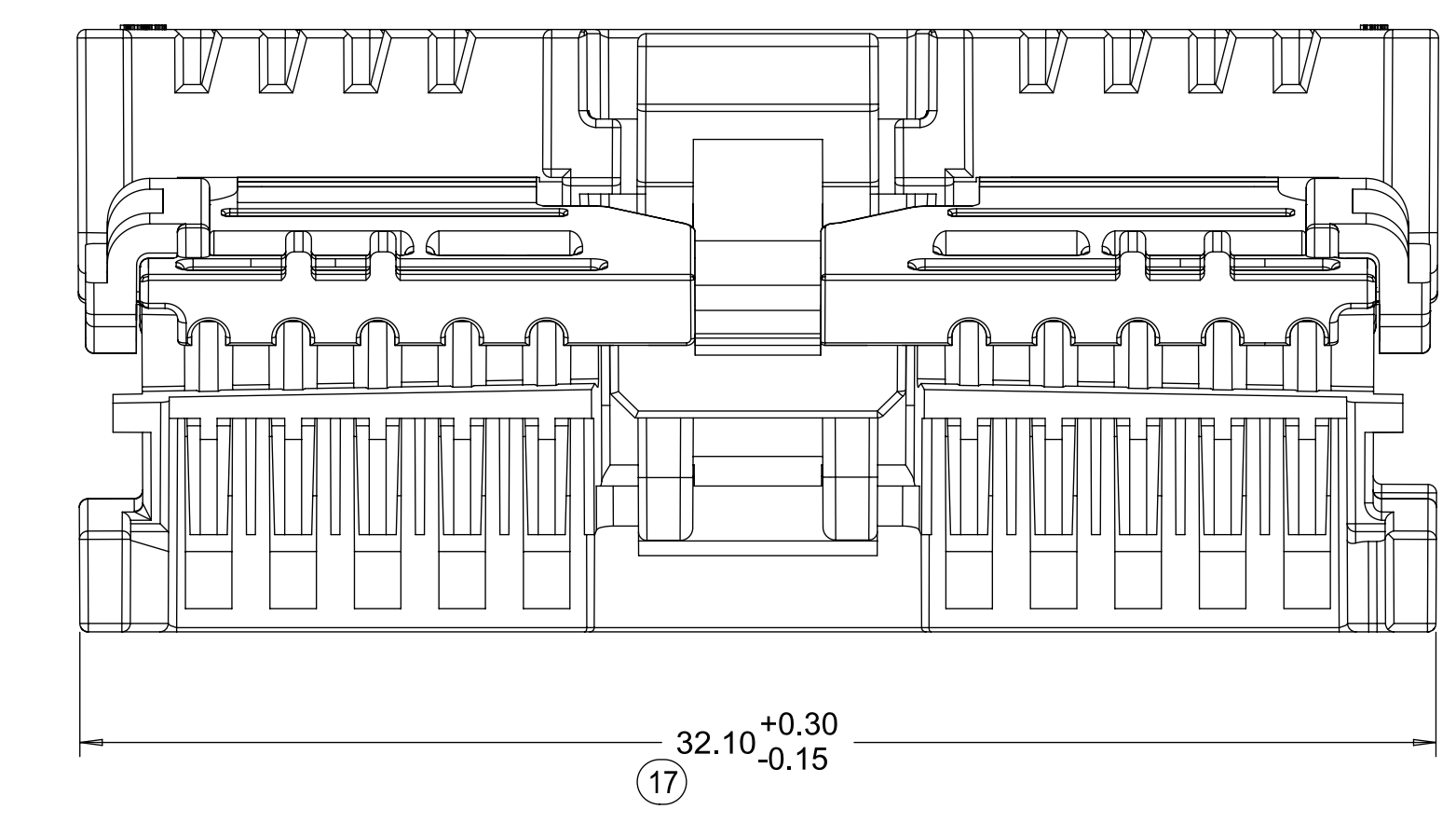
16 CIRCUIT RECEPTACLE



20 CIRCUIT RECEPTACLE

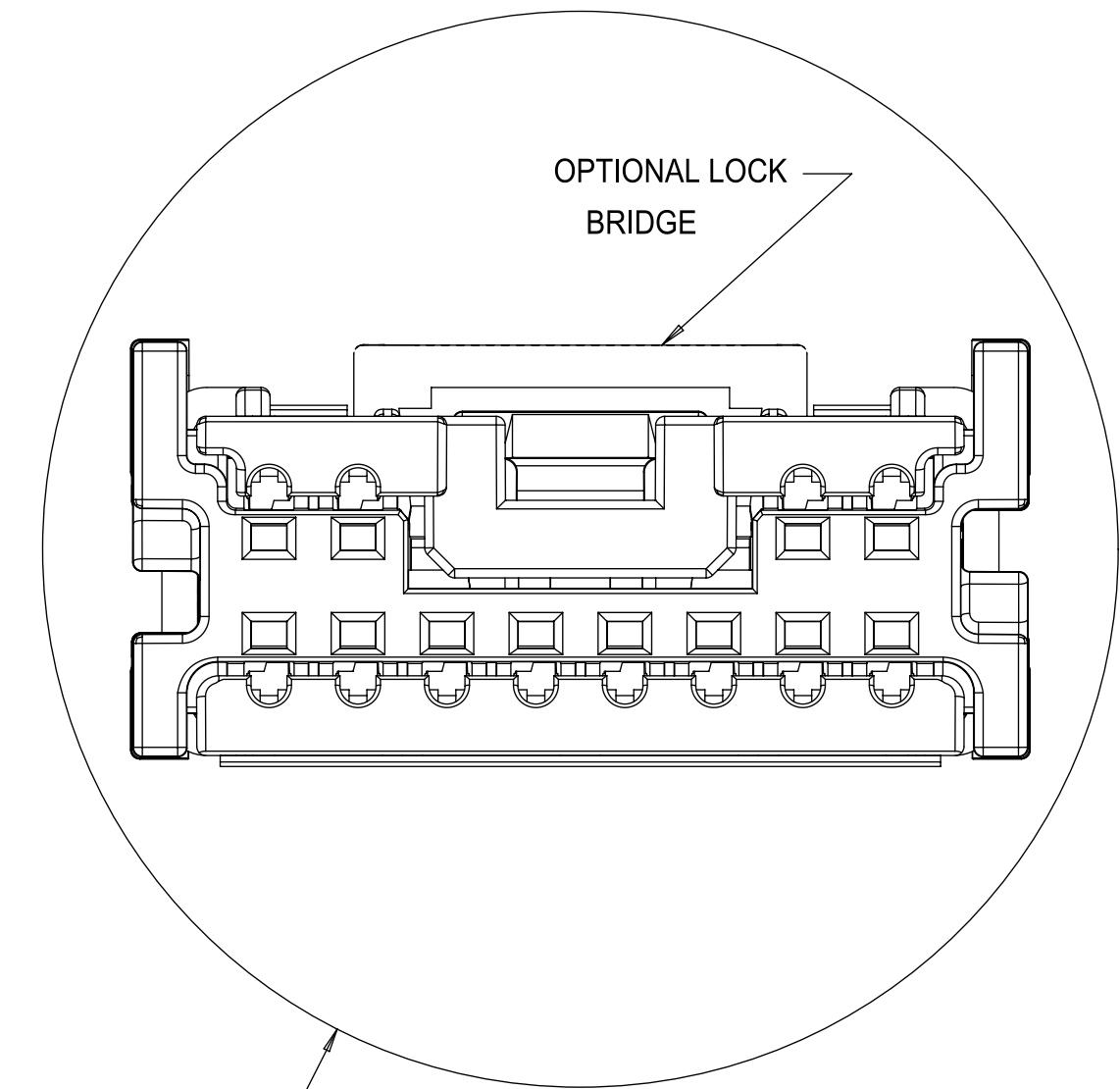


24 CIRCUIT RECEPTACLE



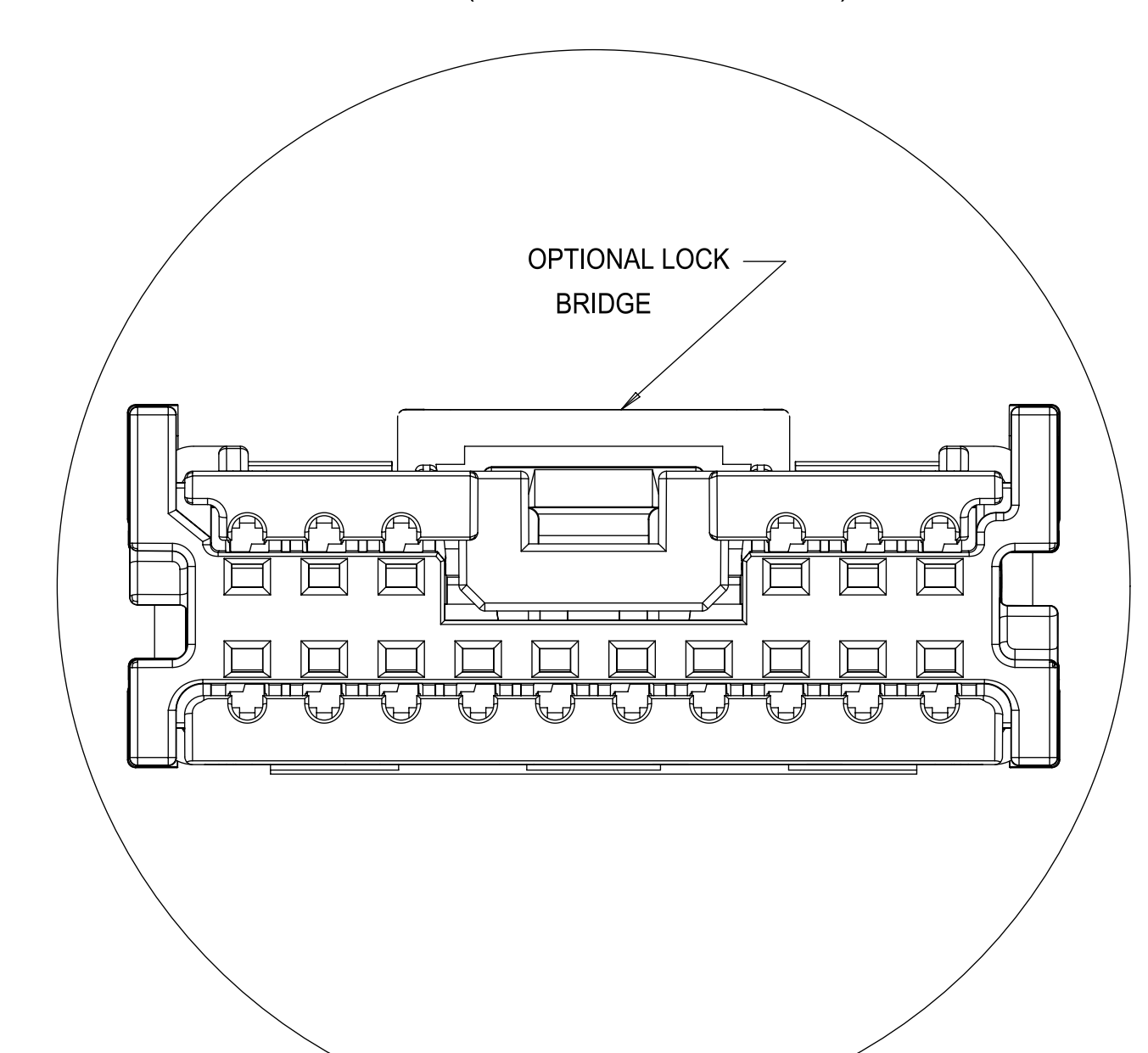
12 CKT RECEPTACLE SHOWN BELOW 16, 20, AND 24 CKT RECEPTACLE HAS SIMILAR CIRCUIT ID LOCATION

HINGES CLOSED (BRIDGED/NON-BRIDGED)



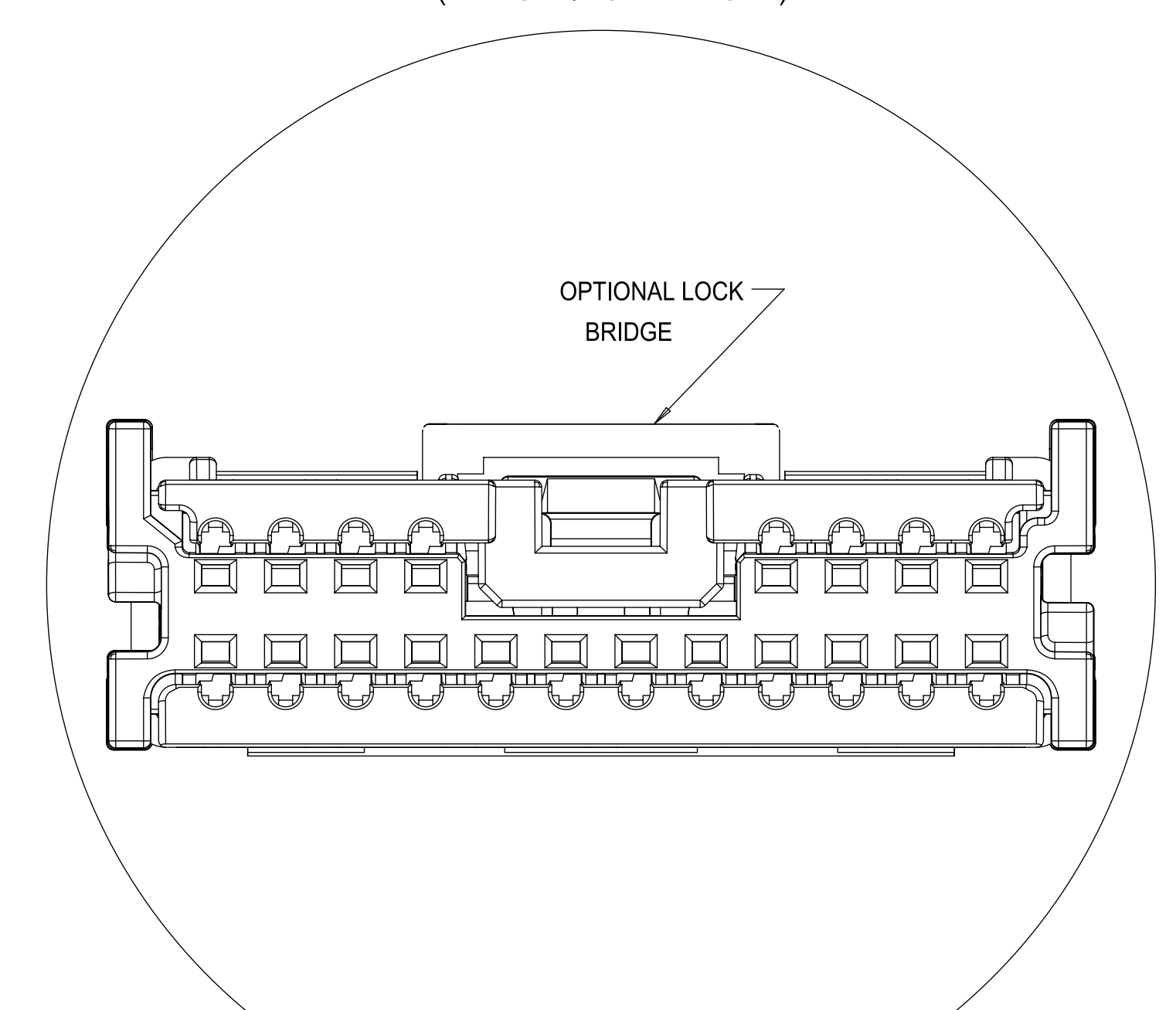
PASS THRU DIAMETER  $\varnothing 24.18$   
1 mm ADDITIONAL CLEARANCE ADDED TO TIGHTEST FIT CIRCLE

HINGES CLOSED (BRIDGED/NON-BRIDGED)



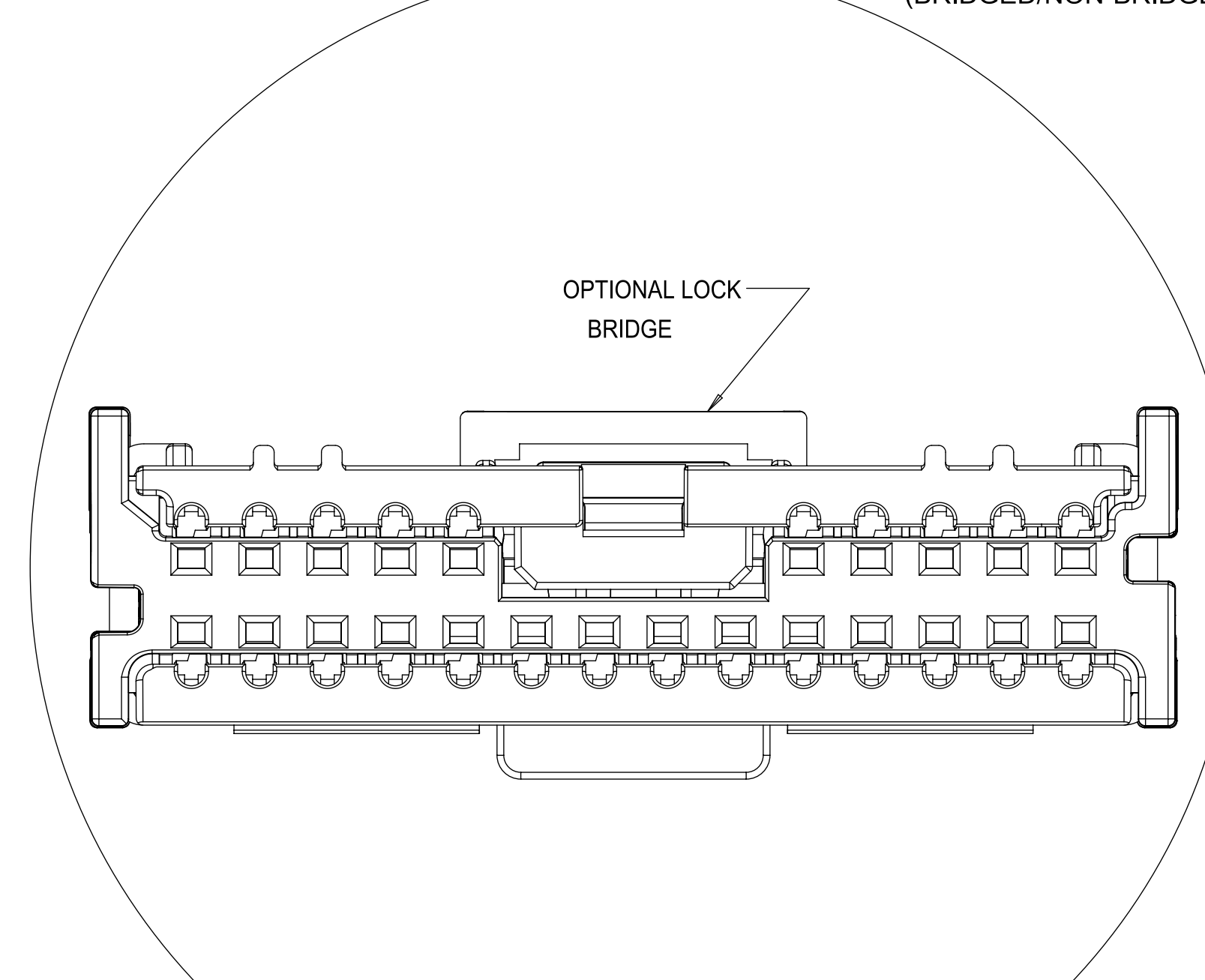
PASS THRU DIAMETER  $\varnothing 27.88$   
1 mm ADDITIONAL CLEARANCE ADDED TO TIGHTEST FIT CIRCLE

HINGES CLOSED (BRIDGED/NON-BRIDGED)



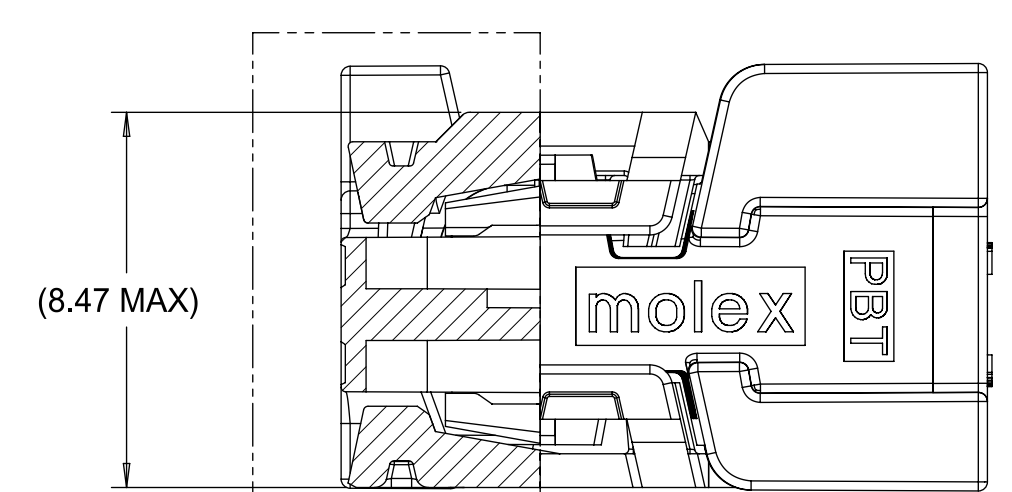
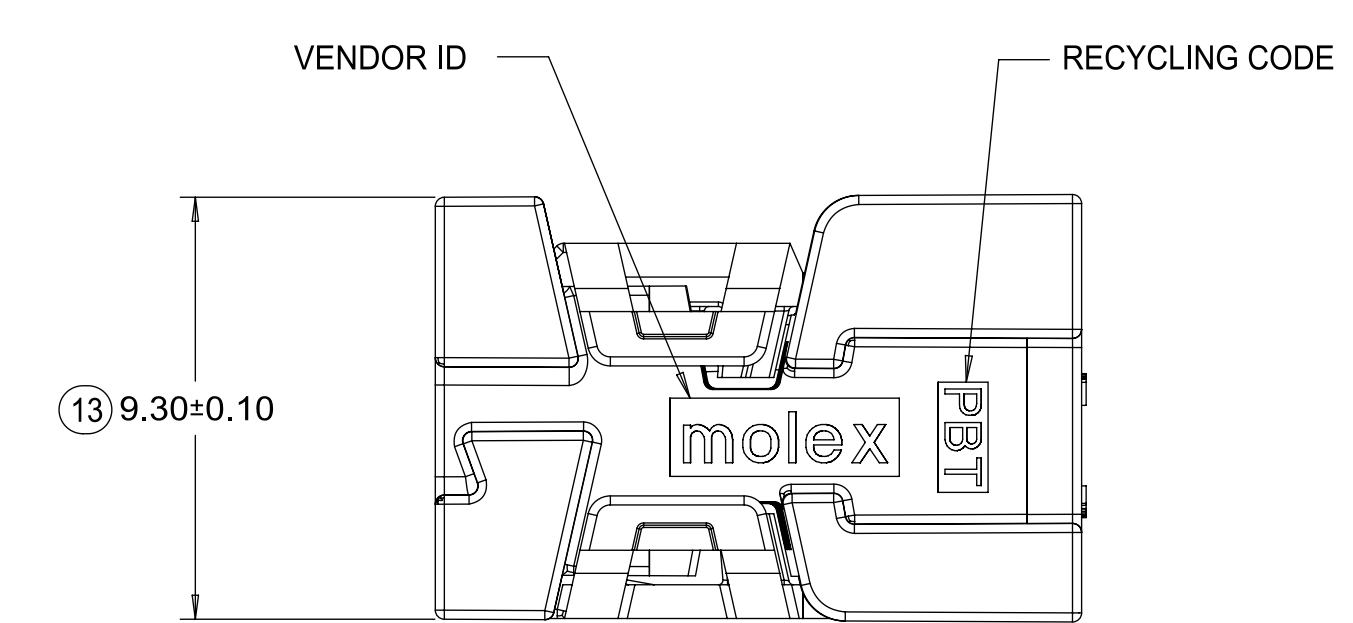
PASS THRU DIAMETER  $\varnothing 31.64$   
1 mm ADDITIONAL CLEARANCE ADDED TO TIGHTEST FIT CIRCLE

HINGES CLOSED (BRIDGED/NON-BRIDGED)



PASS THRU DIAMETER  $\varnothing 35.48$   
1 mm ADDITIONAL CLEARANCE ADDED TO TIGHTEST FIT CIRCLE

HINGES CLOSED



CUTAWAY SHOWING MAXIMUM POINTS ASSEMBLE HINGES

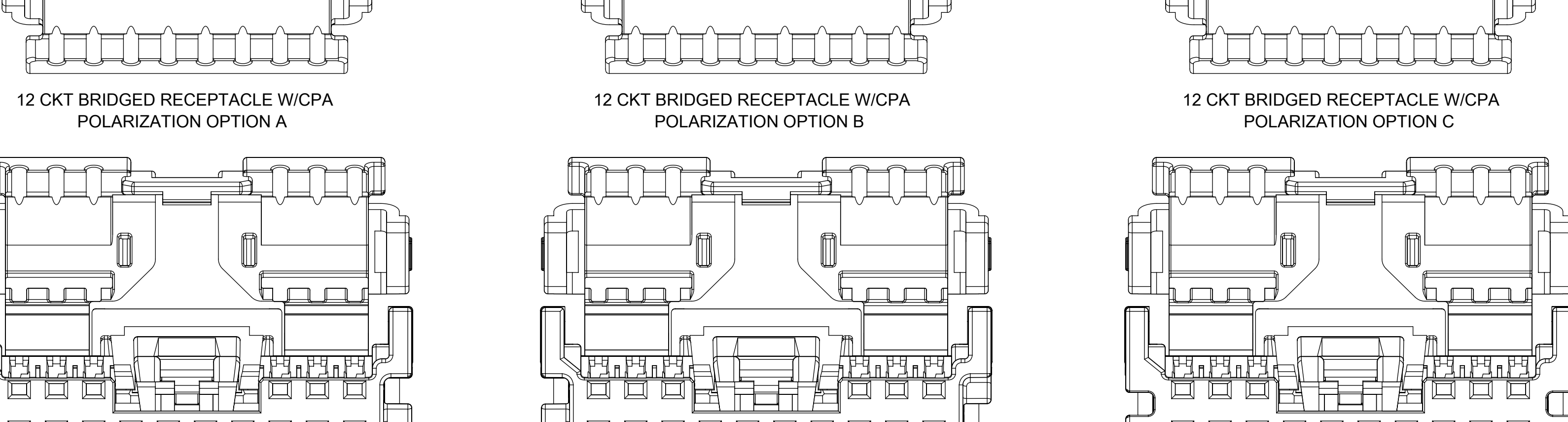
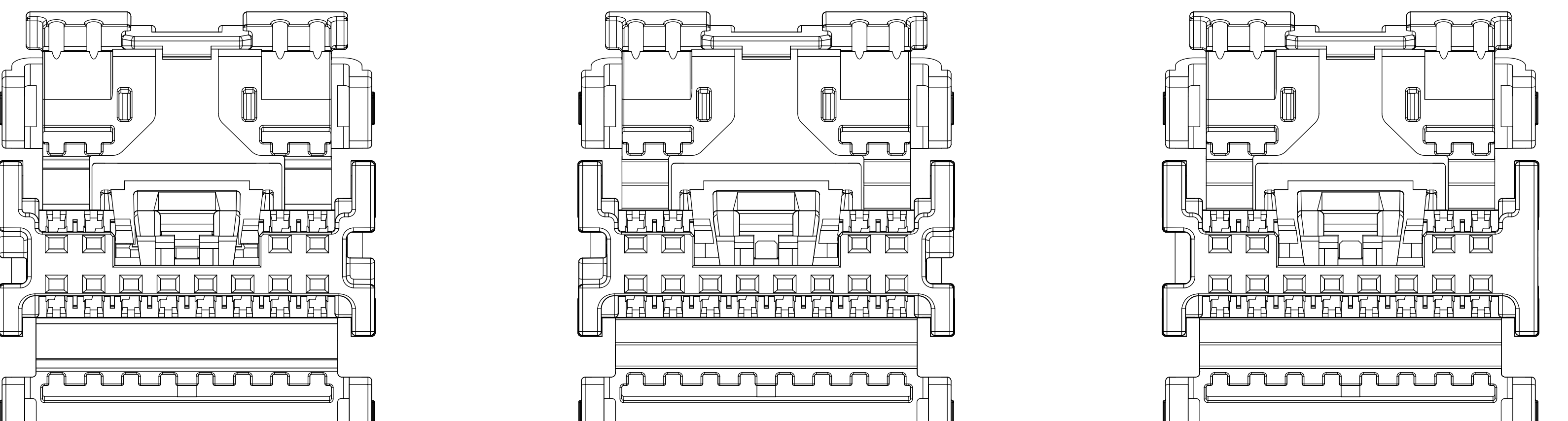
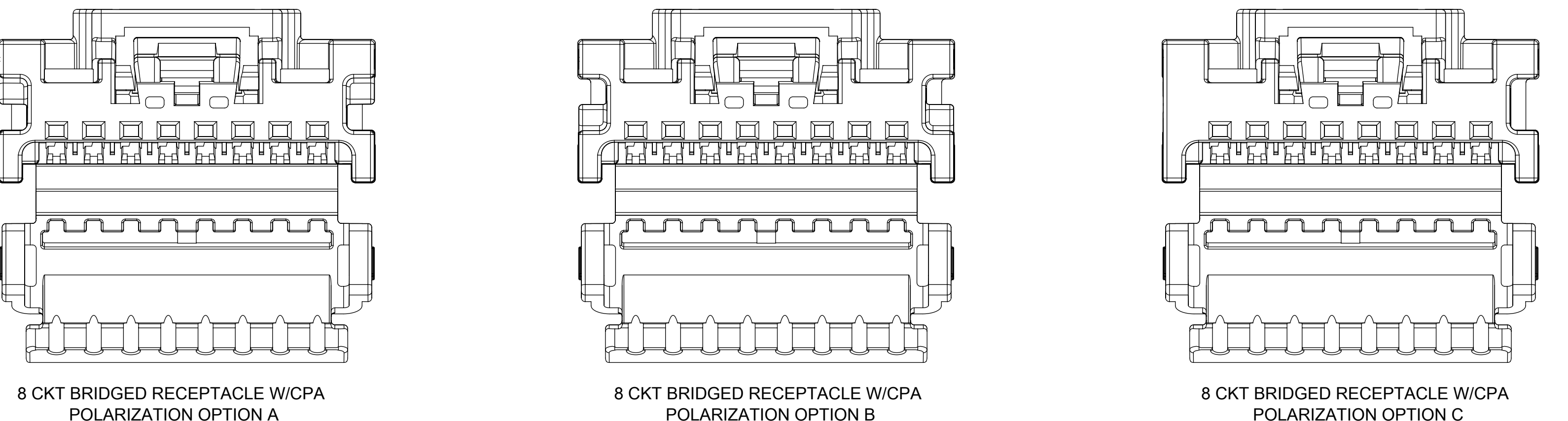
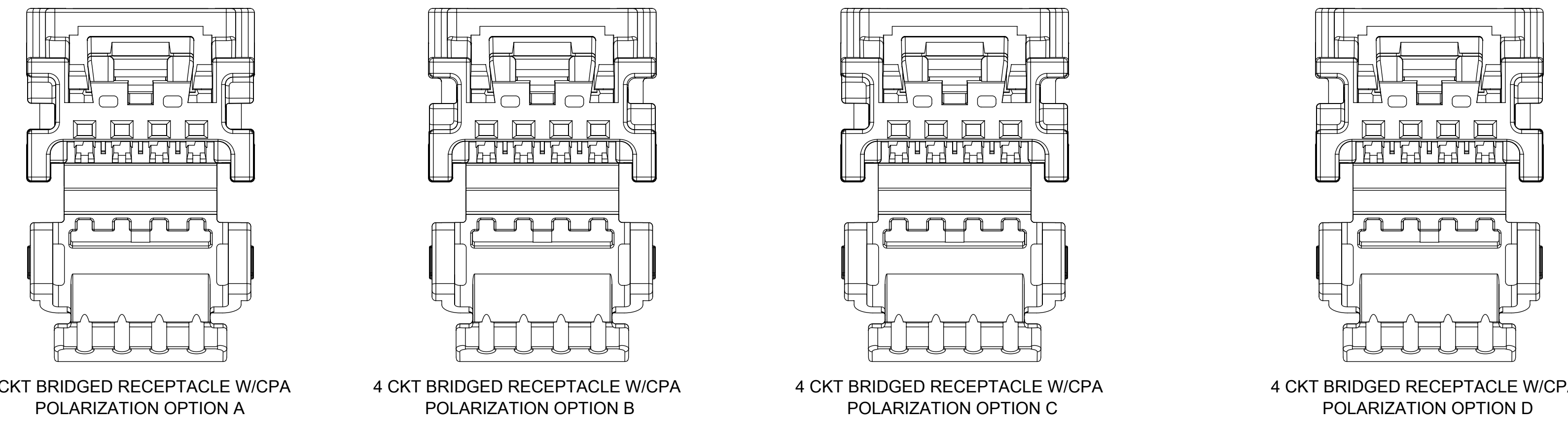
THIS DRAWING CONTAINS INFORMATION THAT IS PROPRIETARY TO MOLEX ELECTRONIC TECHNOLOGIES, LLC AND SHOULD NOT BE USED WITHOUT WRITTEN PERMISSION

<b>QUALITY SYMBOLS</b> A = 0 E = 0 F = 0 G = 0 H = 0 I = 0 J = 0 K = 0 L = 0 M = 0 N = 0 O = 0 P = 0 Q = 0 R = 0 S = 0 T = 0 U = 0 V = 0 W = 0 X = 0 Y = 0 Z = 0	EC NO: 118162 DRWN: THAZEL L1	2017/06/14 2017/06/16 CHKD: RBAUMAN APPR:	GENERAL TOLERANCES (UNLESS SPECIFIED) ANGULAR TOL $\pm$ 4 PLACES $\pm$ 3 PLACES $\pm$ 2 PLACES $\pm 0.1$ 1 PLACE $\pm 0.2$ 0 PLACES $\pm$ DRAFT WHERE APPLICABLE MUST REMAIN WITHIN DIMENSIONS	DIMENSION UNITS: MM ONLY SCALE: 6:1 DRWN BY: TCUCU DATE: 2011/03/10 CHK'D BY: TMACHUGA DATE: 2011/03/11 APPR BY: SMARCEAU DATE: 2012/05/21	DRAFT WHERE APPLICABLE MUST REMAIN WITHIN DIMENSIONS THIRD ANGLE PROJECTION	SERIES: 34824 MATERIAL NUMBER: SEE TABLE CUSTOMER: GENERAL MARKET
	PRODUCT CUSTOMER DRAWING DOCUMENT NUMBER: SD-34824-002 DOC TYPE: PSD DOC PART: 001 SHEET NUMBER: 3 OF 4					

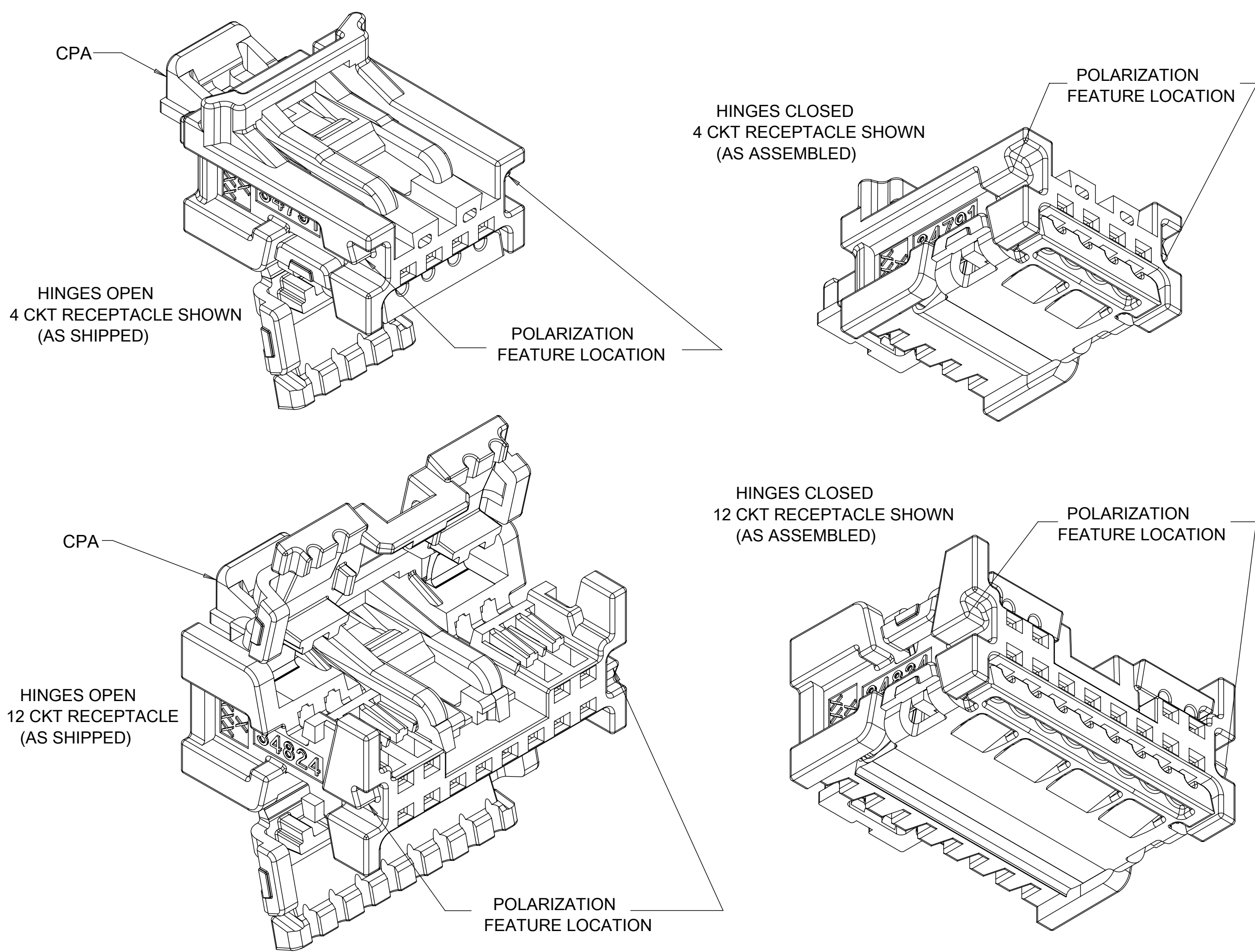




NOTES: VALID UNLESS OTHERWISE SPECIFIED



1. GENERAL:
  - a. APPLICATION SPECIFICATION SEE: AS-34791-020
  - b. PRODUCT SPECIFICATION SEE: PS-34791-020
  - c. PACKAGING SPECIFICATION PER MOLEX DRAWING: SEE CHART
  - d. PARTS MUST BE IN COMPLIANCE TO MOLEX CHEMICAL SUBSTANCES FOR PRODUCTS AND PACKAGING SPECIFICATION: QEHS-699000-301
  - e. DATA MUST BE SUBMITTED UNDER THE MOLEX PART NUMBER TO IMDS (COMPANY ID#13255)
  - f. FLAMMABILITY REQUIREMENT: PER ISO3795 OR GM3191
    1. BURN RATE 100 mm/MIN MAXIMUM
    2. MATERIAL MUST BE SELF EXTINGUISHING
  - g. VISUAL DEFECTS SHALL MEET COSMETIC STANDARD PS-45499-002 (Class B)
  - f. FOR TERMINAL USAGE, REFER TO MOLEX SALES DRAWING SD-560023-002
2. DESIGN - MATERIALS:
  - a. MATERIAL (4,8,12,16,20 CKT): UNFILLED PBT
  - b. MATERIAL (24CKT): PA410 25% GF
3. DESIGN - GEOMETRY:
  - a. THIS IS A 100% CAD GENERATED PART. THE CAD MATHEMATICAL DATA IS THE MASTER FOR THIS PART. FOR DIMENSIONAL OR ANY INFORMATION NOT SHOWN ON THIS DRAWING, ANALYZE THE CAD MODEL.
  - b. GEOMETRIC DIMENSIONS AND TOLERANCES PER ASME Y14.5 - 2009
  - c. GENERAL TOLERANCES:
    - LINEAR: PER DIN 16901 CODE B FOR PRECISION ENGINEERING (SEE TABLE)
    - ANGULAR: ±3°
  - d. EDGES AND UNDIMENSIONED DETAILS PER ISO13715
  - e. CORNERS SHOWN AS SHARP TO BE R 0.2 MAX
  - f. LETTERING SHALL BE 0.1 MAX RAISED IN 0.15 MAX RECESS PAD AND NOT PROTRUDE THE SURFACE. THIS INCLUDES RECYCLING CODE, PLANT ID, CAVITY ID, VENDOR ID, CIRCUIT ID, AND PART SERIES NUMBER.
  - g. DIMENSION APPLIES ONLY TO RECEPTACLES WITH LOCK BRIDGE OPTION.
4. DESIGN - FUNCTIONALITY:
  - a. HINGE DOES NOT AFFECT FUNCTION OF THE PART.



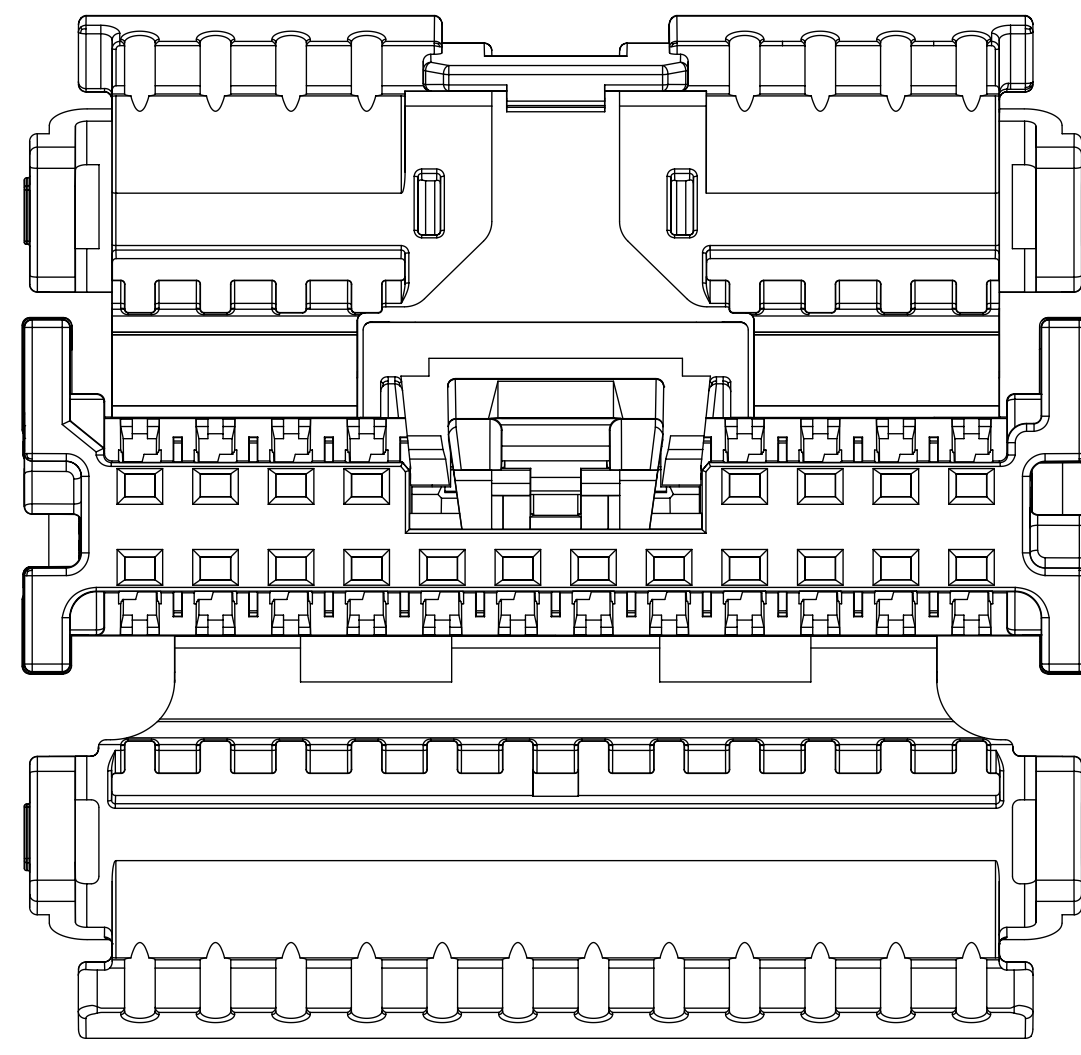
INSPECTION BALLOON NUMBER  
PER DRAWING REVISION: M2

LAST BALLOON USED: 21

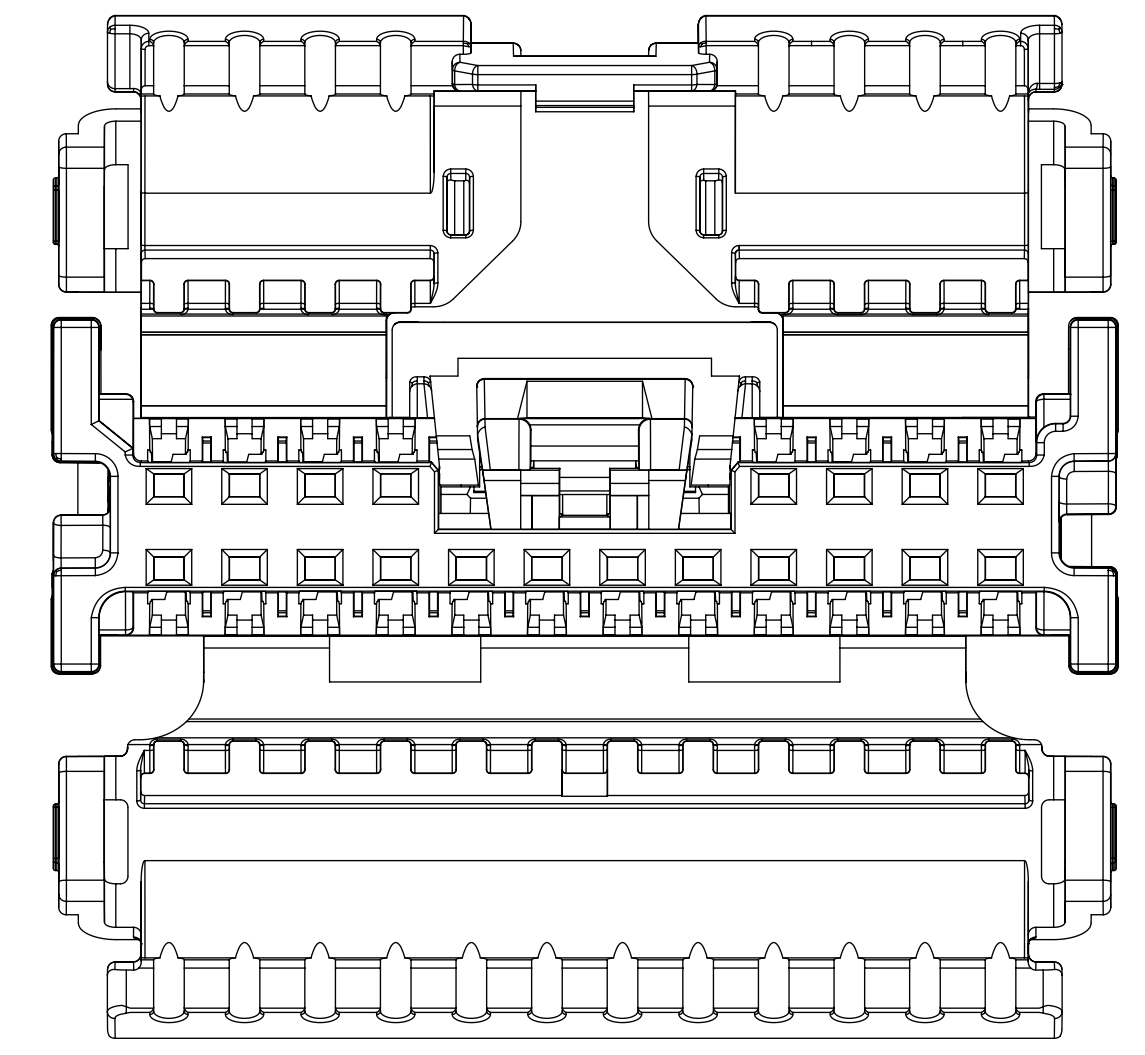
ADDED BALLOON NUMBERS:

REMOVED BALLOON NUMBERS: 22-33

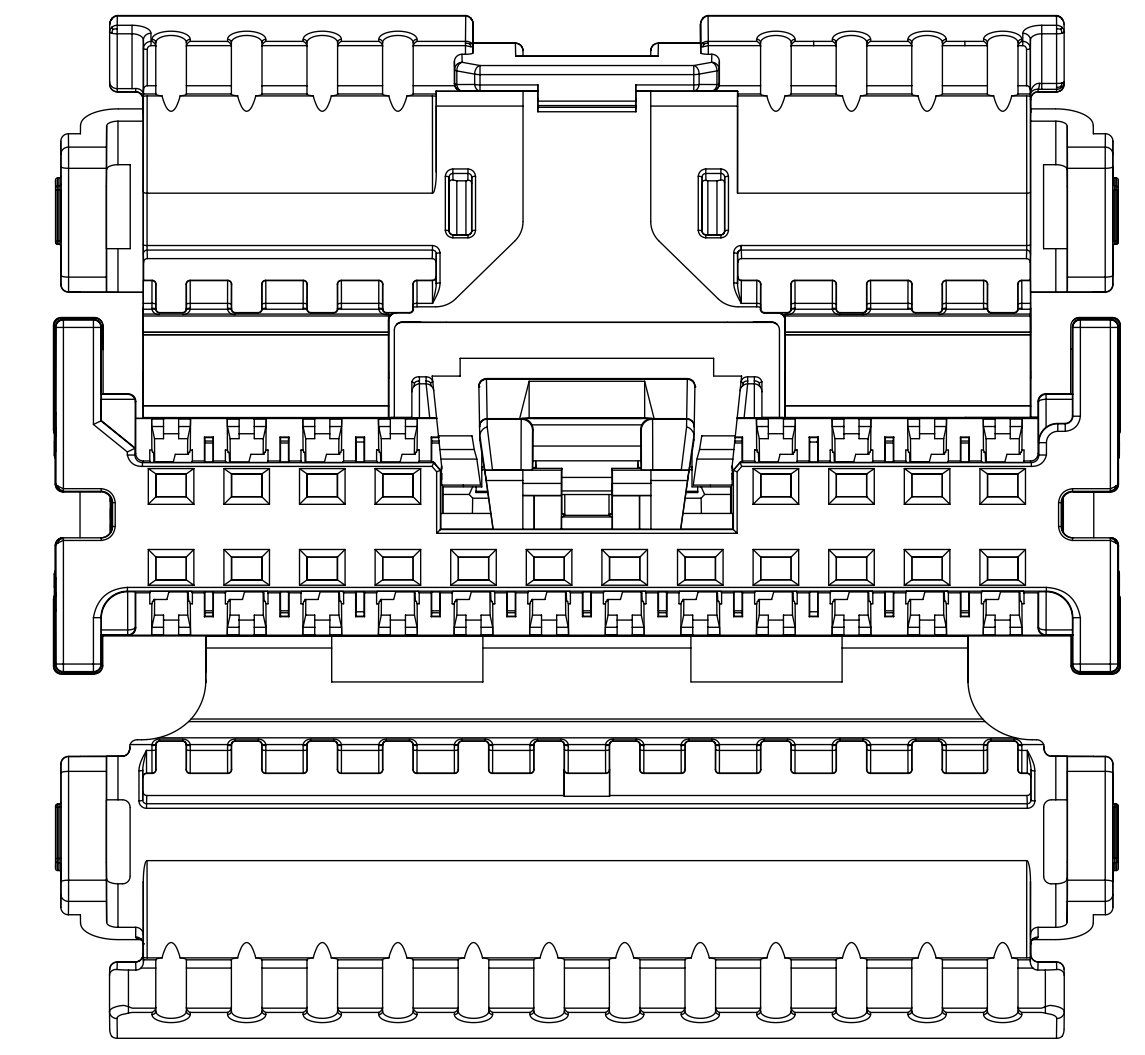
QUALITY SYMBOLS	THIS DRAWING CONTAINS INFORMATION THAT IS PROPRIETARY TO MOLEX ELECTRONIC TECHNOLOGIES, LLC AND SHOULD NOT BE USED WITHOUT WRITTEN PERMISSION		M2		UPDATED 24 CKT	
			REV		DESCRIPTION	
F = 0 E = 0 E = 0 ▽ = 0 C = 0 ☒ = 0 ■ = 0 ▽ = 0	EC NO: 122482 DRWN: SMASHBABA CHK'D: TMACHUGA REV: M2	2017/09/26 2017/09/27	GENERAL TOLERANCES (UNLESS SPECIFIED) ANGULAR TOL ± 1.0 ° 4 PLACES ± 3 PLACES ± 2 PLACES ± 0.1 1 PLACE ± 0.2 0 PLACES ±	DIMENSION UNITS MM ONLY DRWN BY MYOUNG01 CHK'D BY CHKD BY APPR BY RBAUMAN DRAFT WHERE APPLICABLE MUST REMAIN WITHIN DIMENSIONS	SCALE 5:1 DATE 2013/01/31 DATE 2013/11/13 THIRD ANGLE PROJECTION	<p>MINI 50 SINGLE/DUAL ROW CPA-RECEPTACLE ASSEMBLY SALES DRAWING</p> <p>PRODUCT CUSTOMER DRAWING</p>
RELEASE STATUS P1 RELEASE DATE 27.09.2017 16:57:29	SERIES 34824 MATERIAL NUMBER SEE TABLE CUSTOMER GENERAL MARKET		DOCUMENT NUMBER SD-34824-003 DOC TYPE PSD DOC PART 001 SHEET NUMBER 1 OF 5			



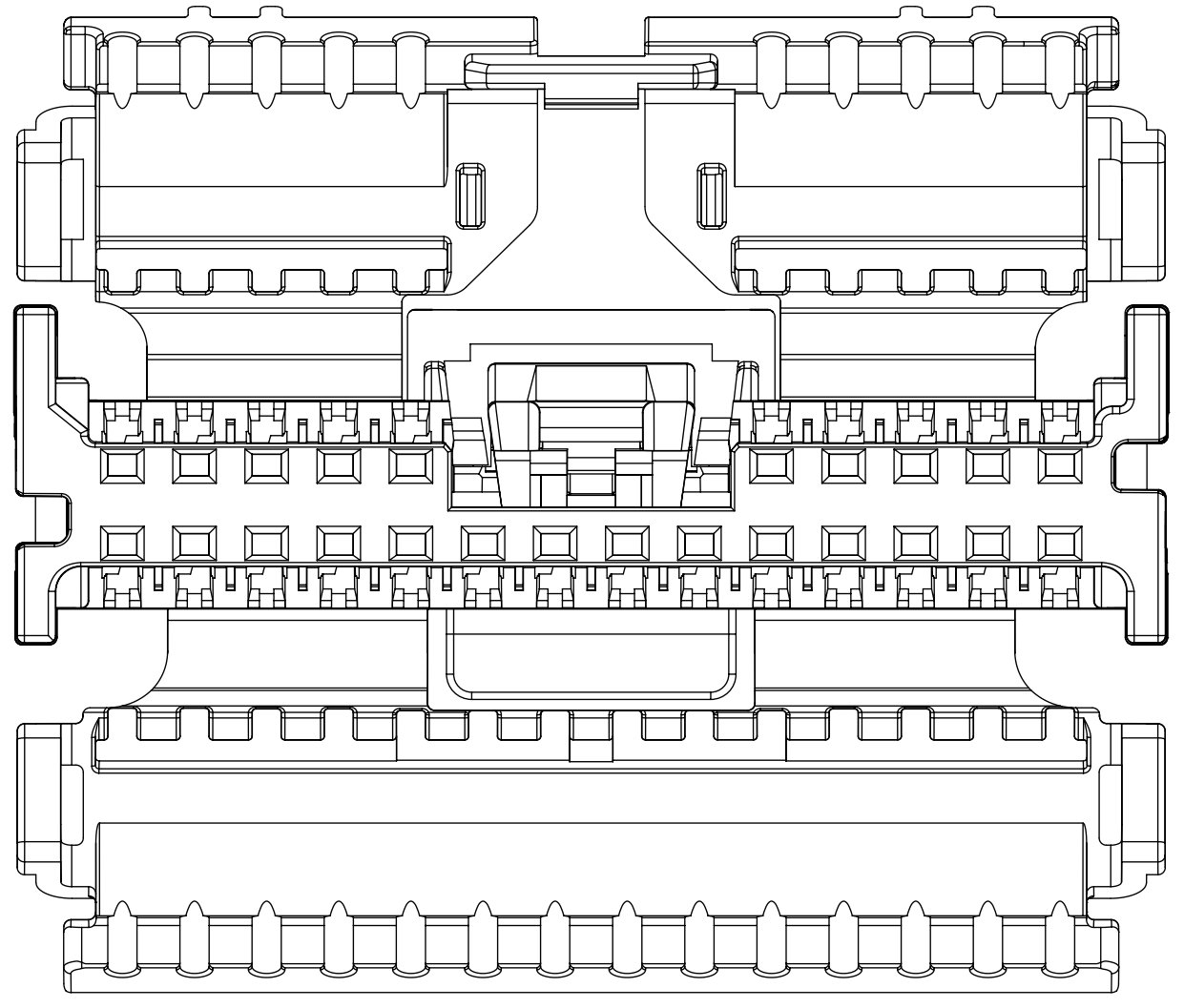
20 CKT BRIDGED RECEPTACLE W/CPA  
POLARIZATION OPTION A



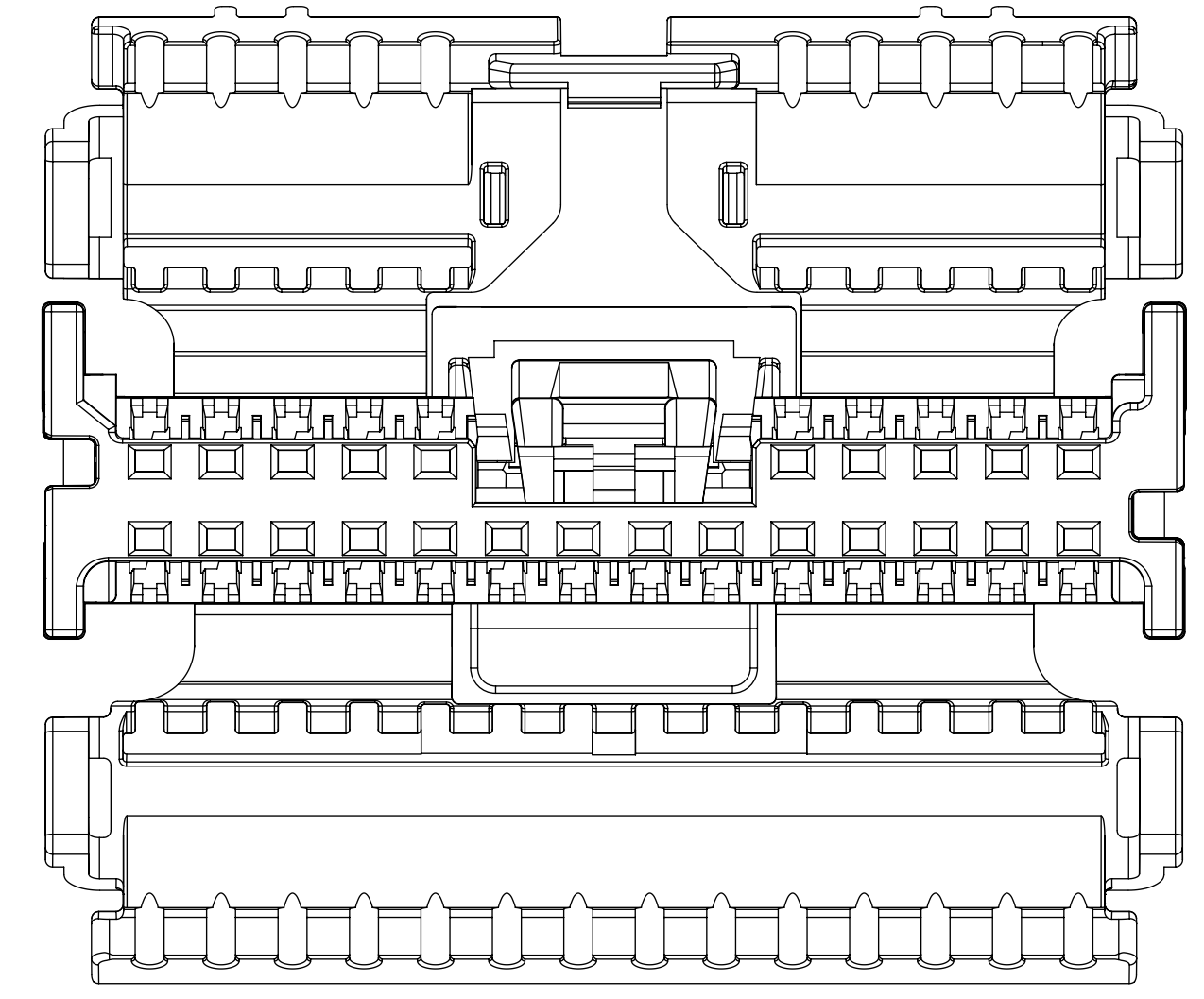
20 CKT BRIDGED RECEPTACLE W/CPA  
POLARIZATION OPTION B



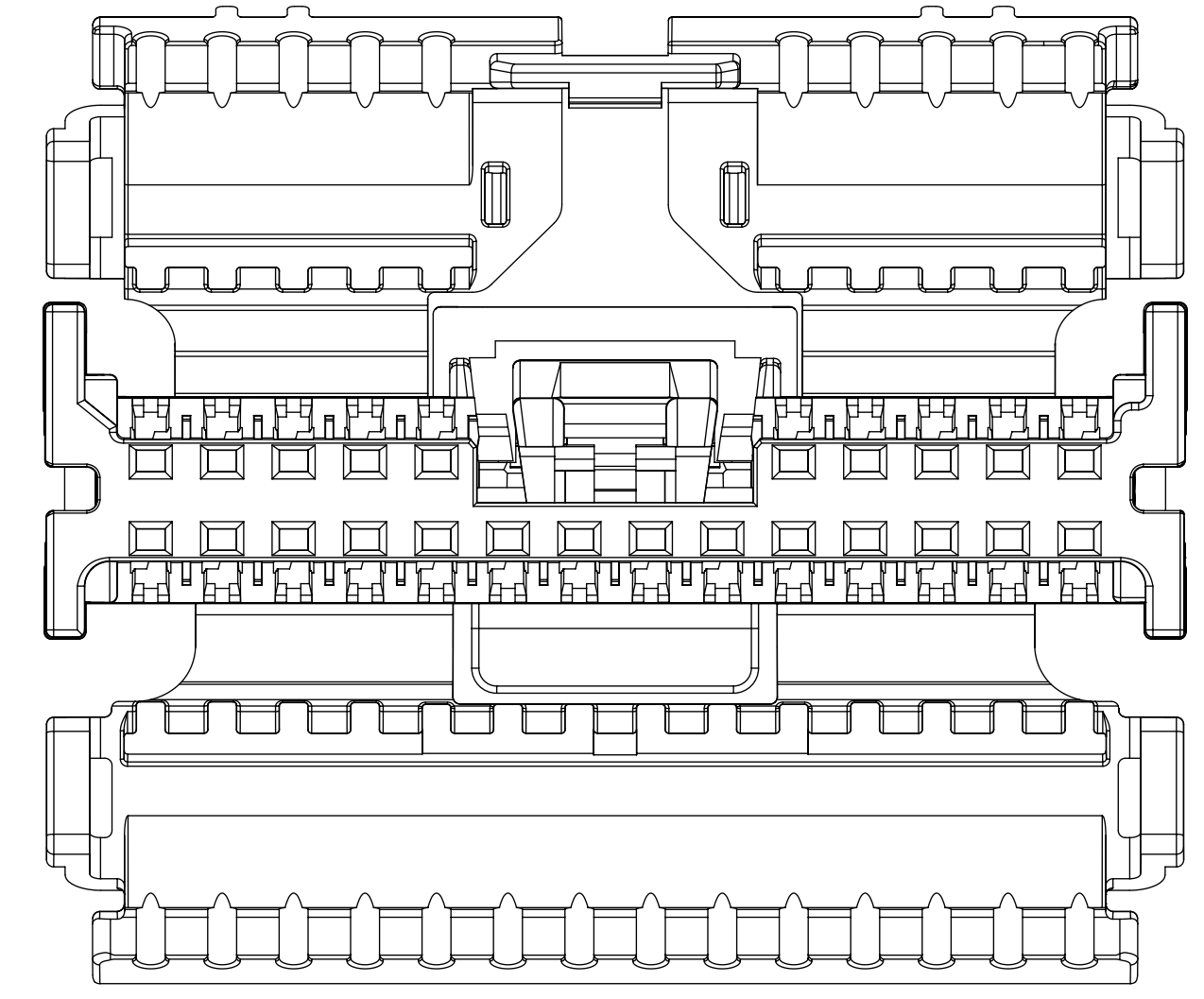
20 CKT BRIDGED RECEPTACLE W/CPA  
POLARIZATION OPTION C



24 CKT BRIDGED RECEPTACLE W/CPA  
POLARIZATION OPTION A



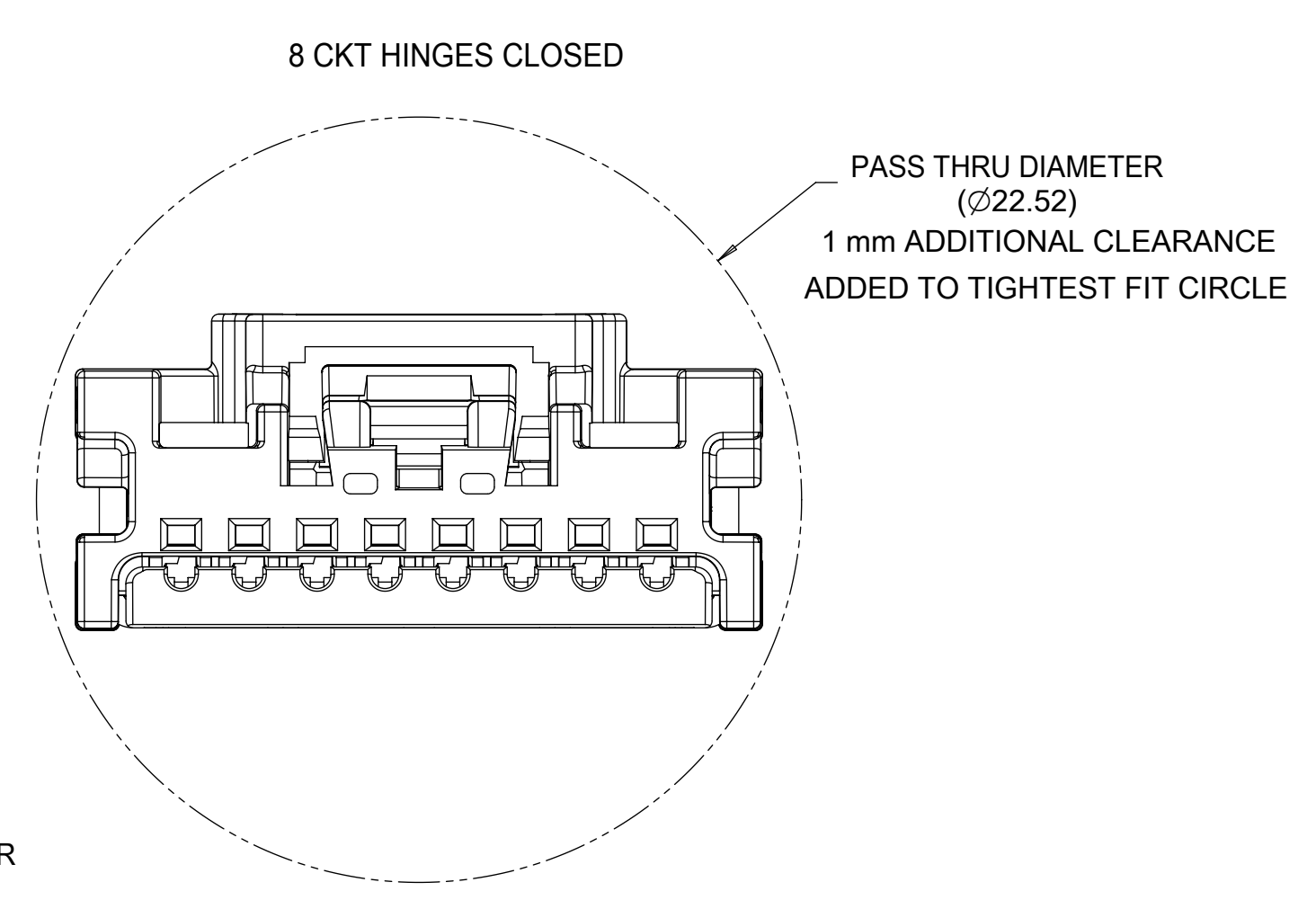
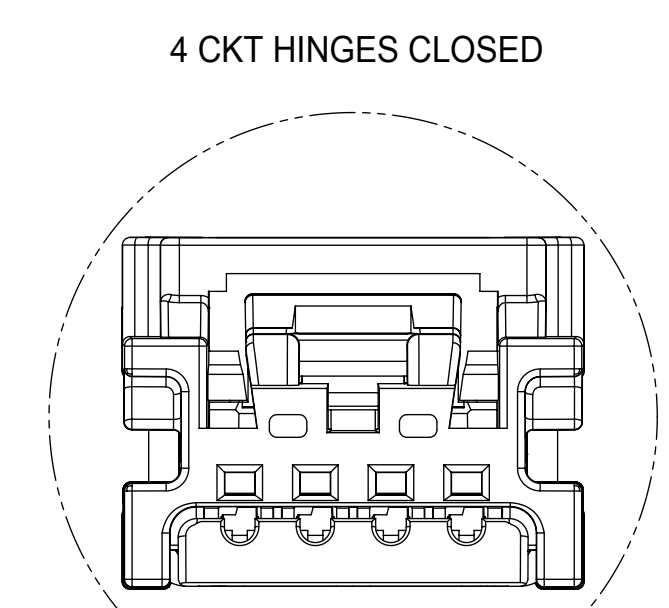
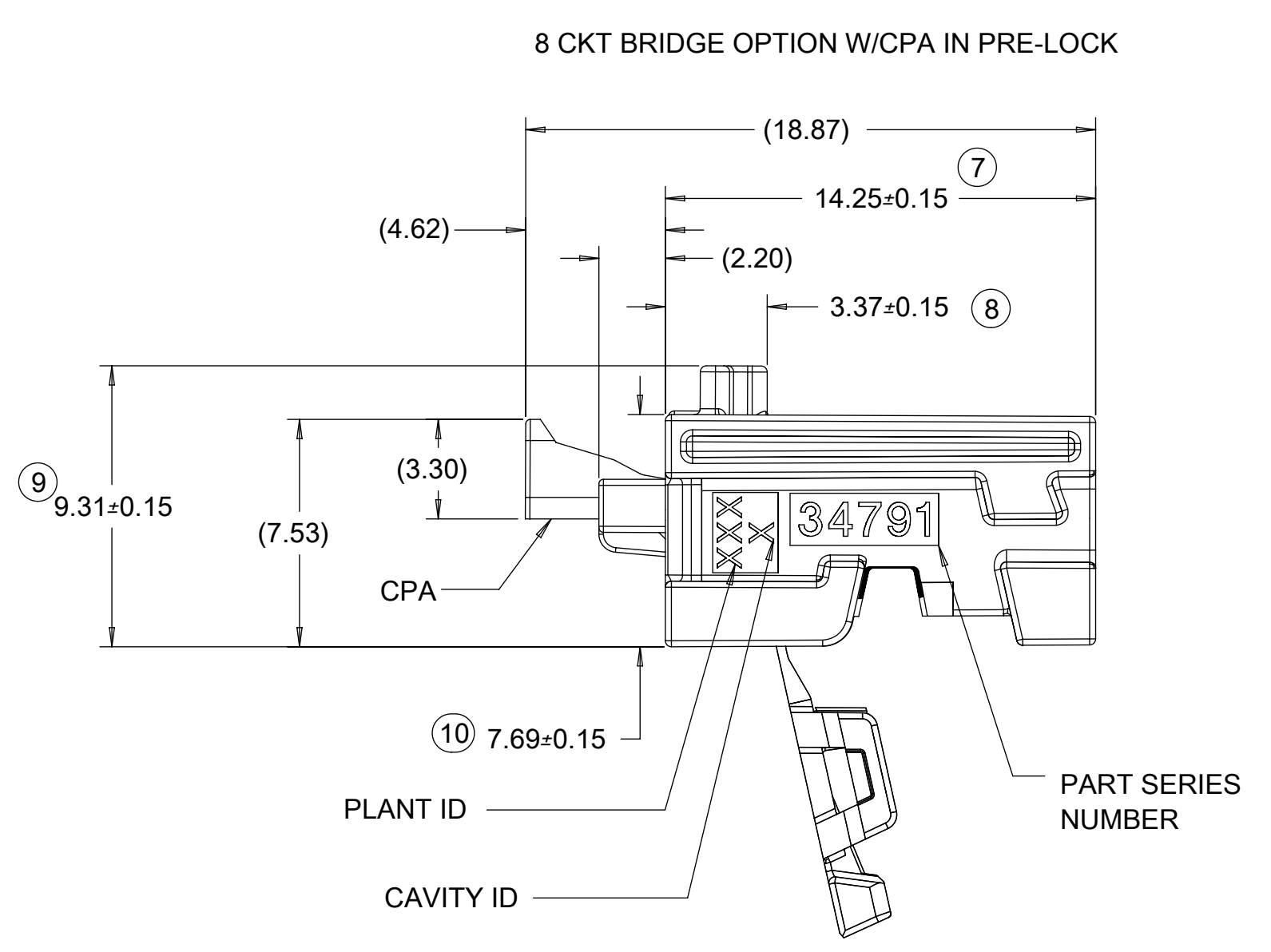
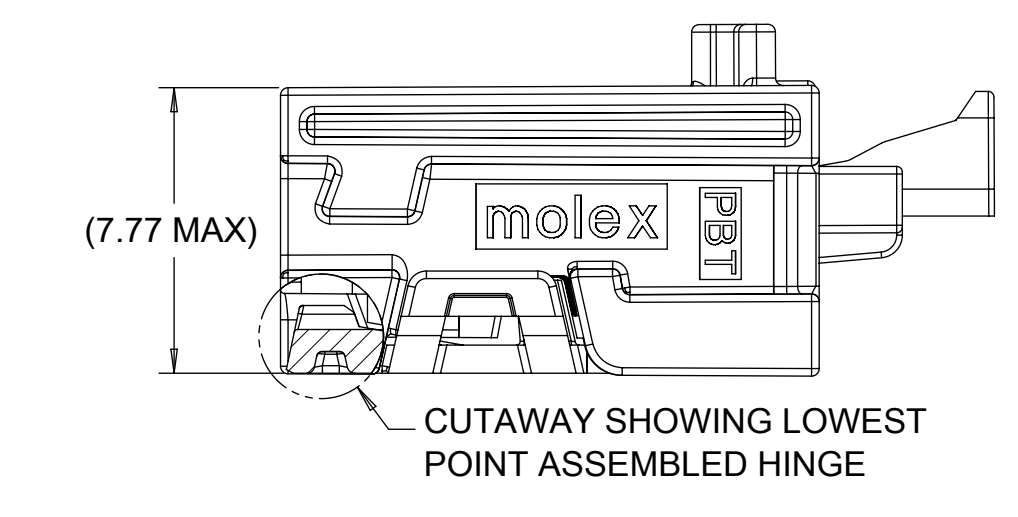
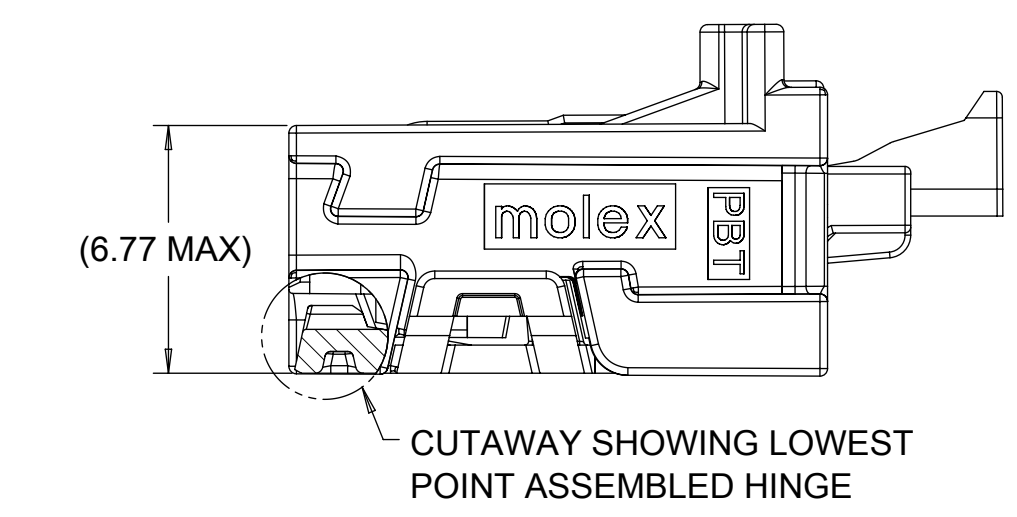
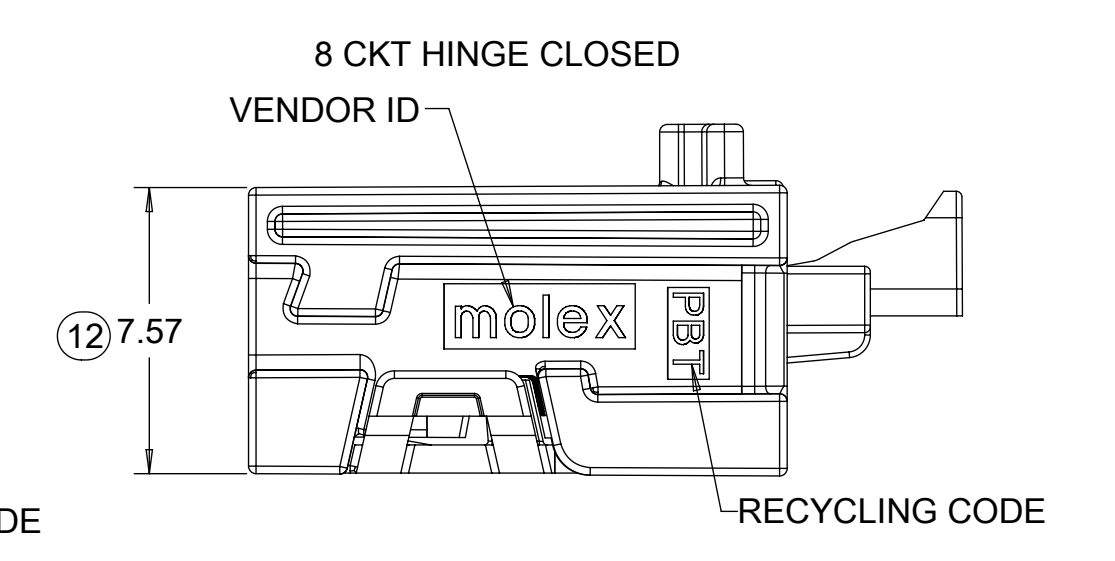
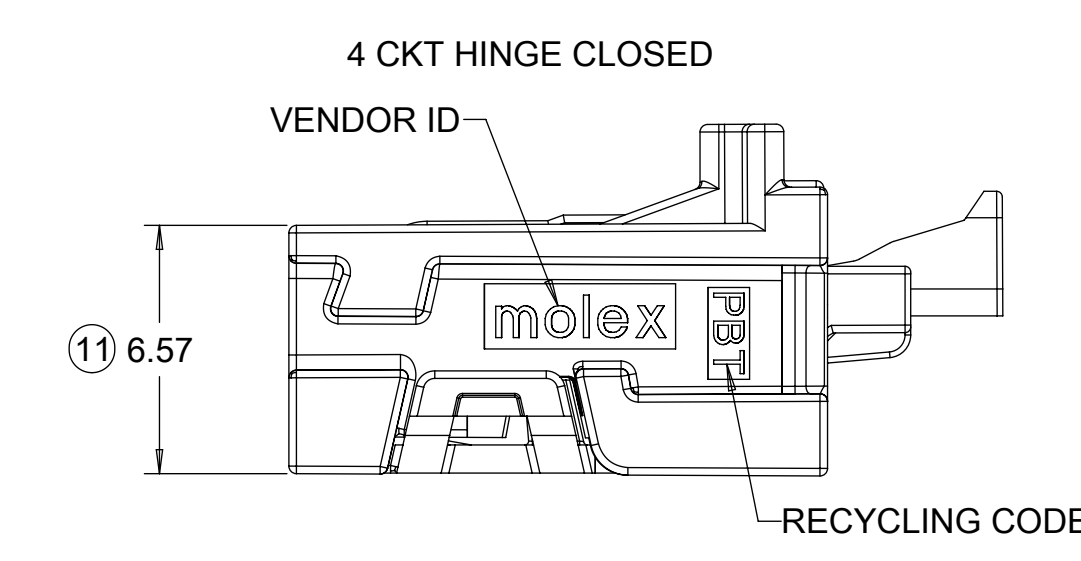
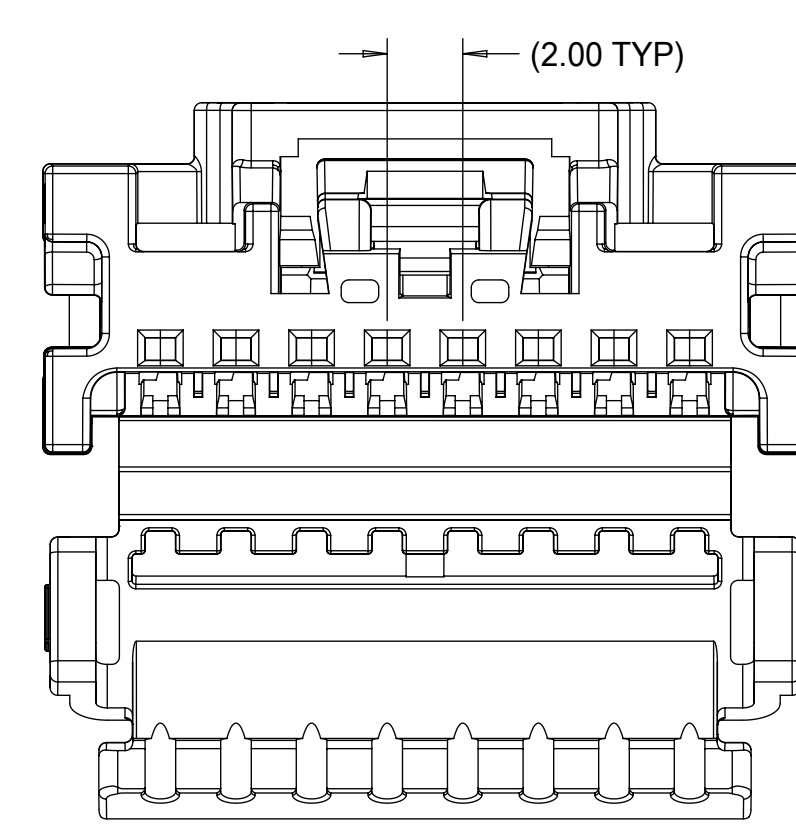
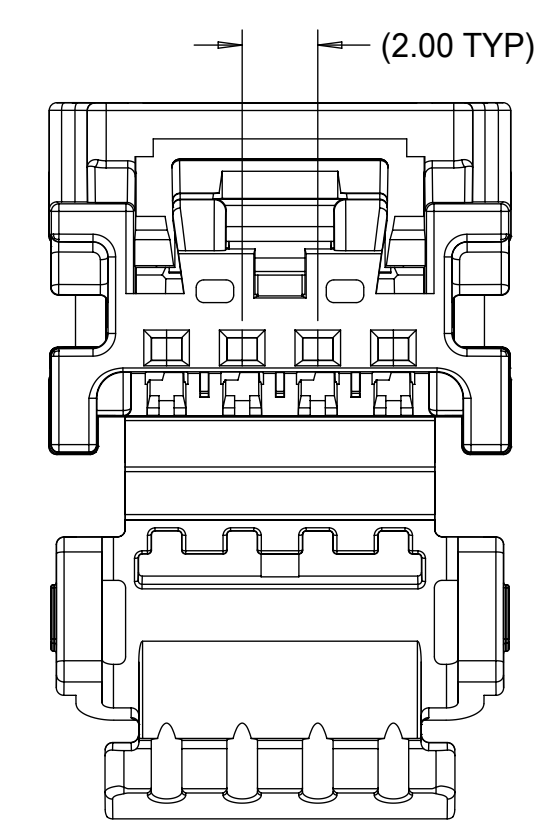
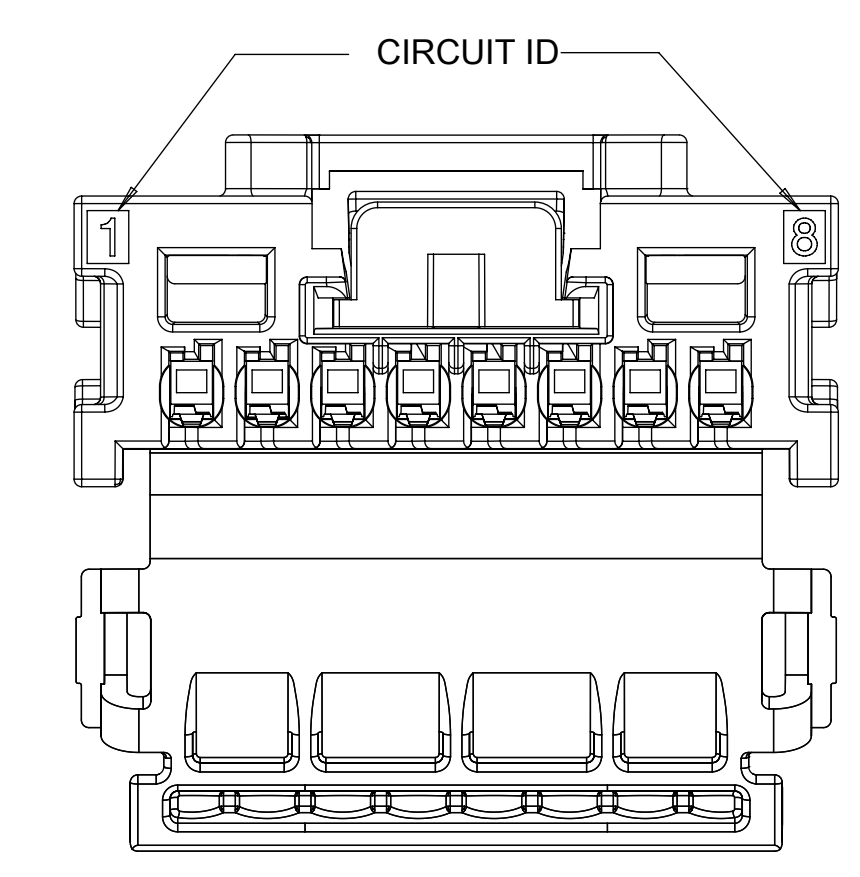
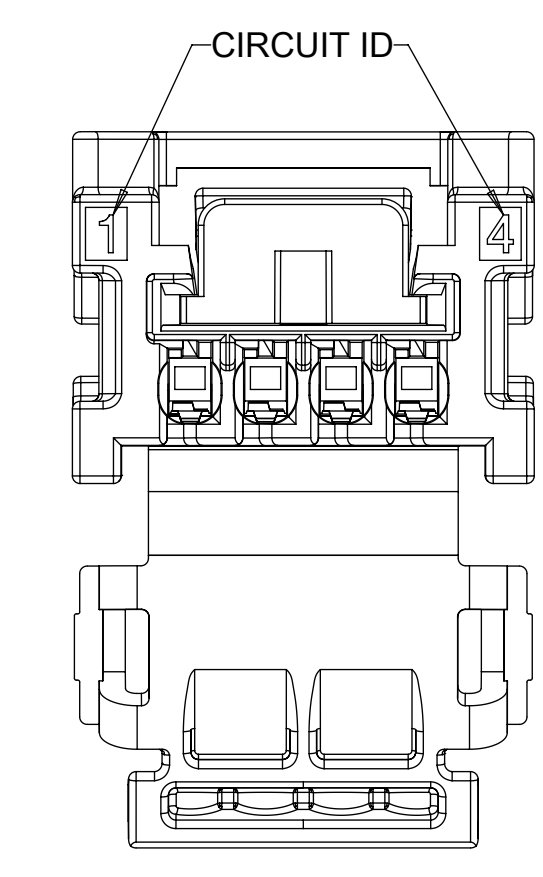
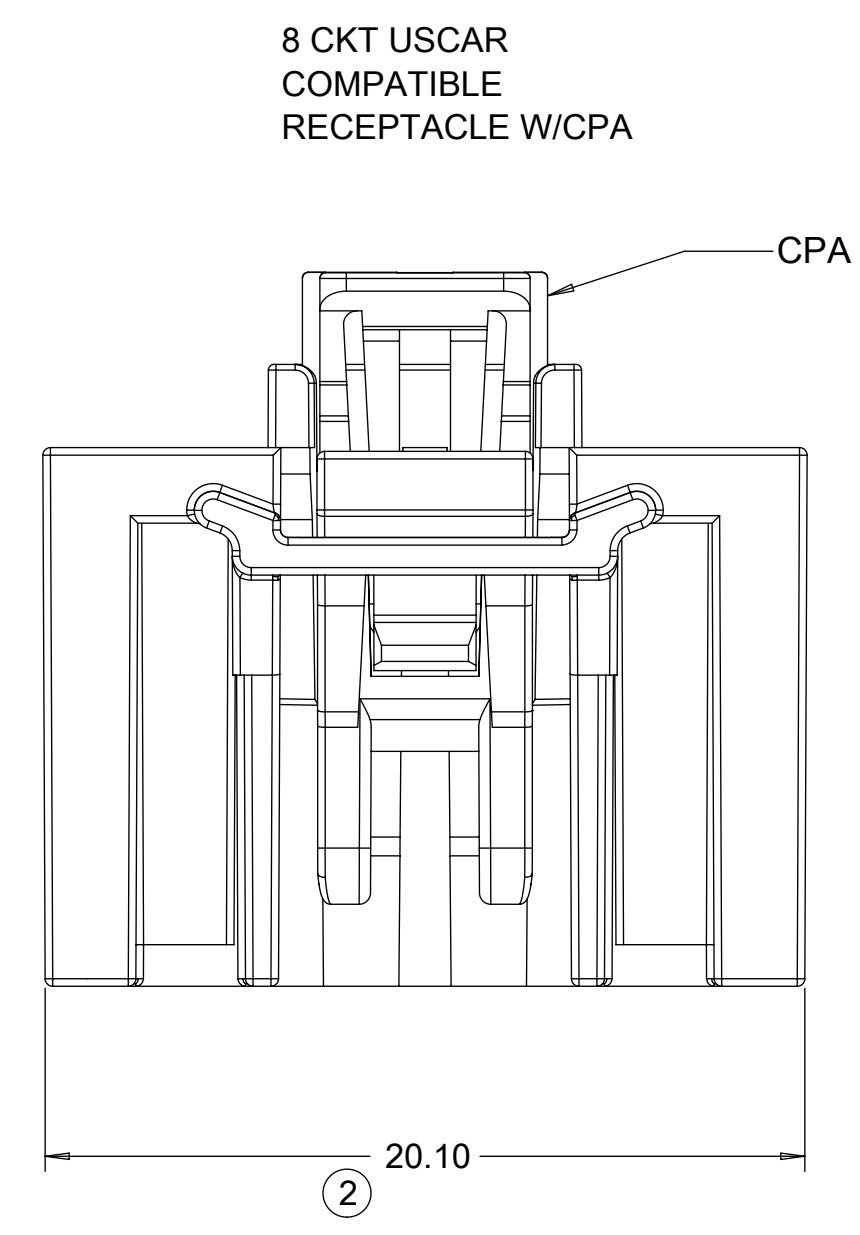
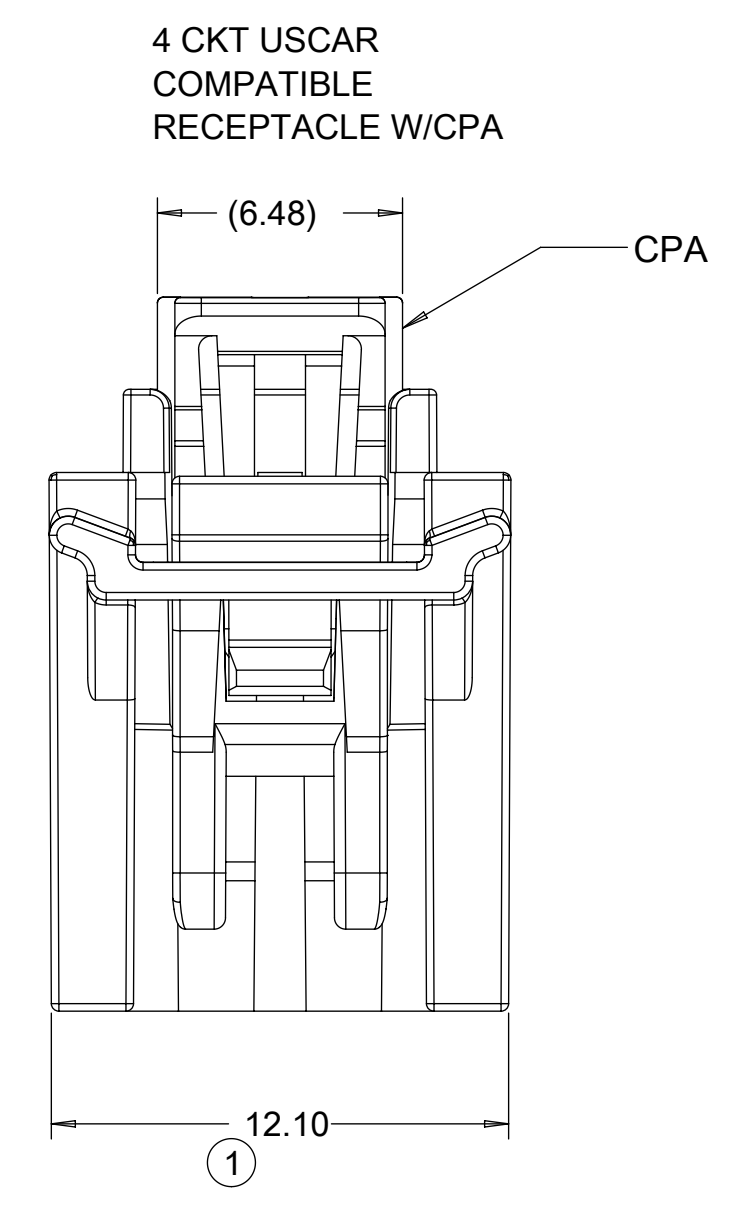
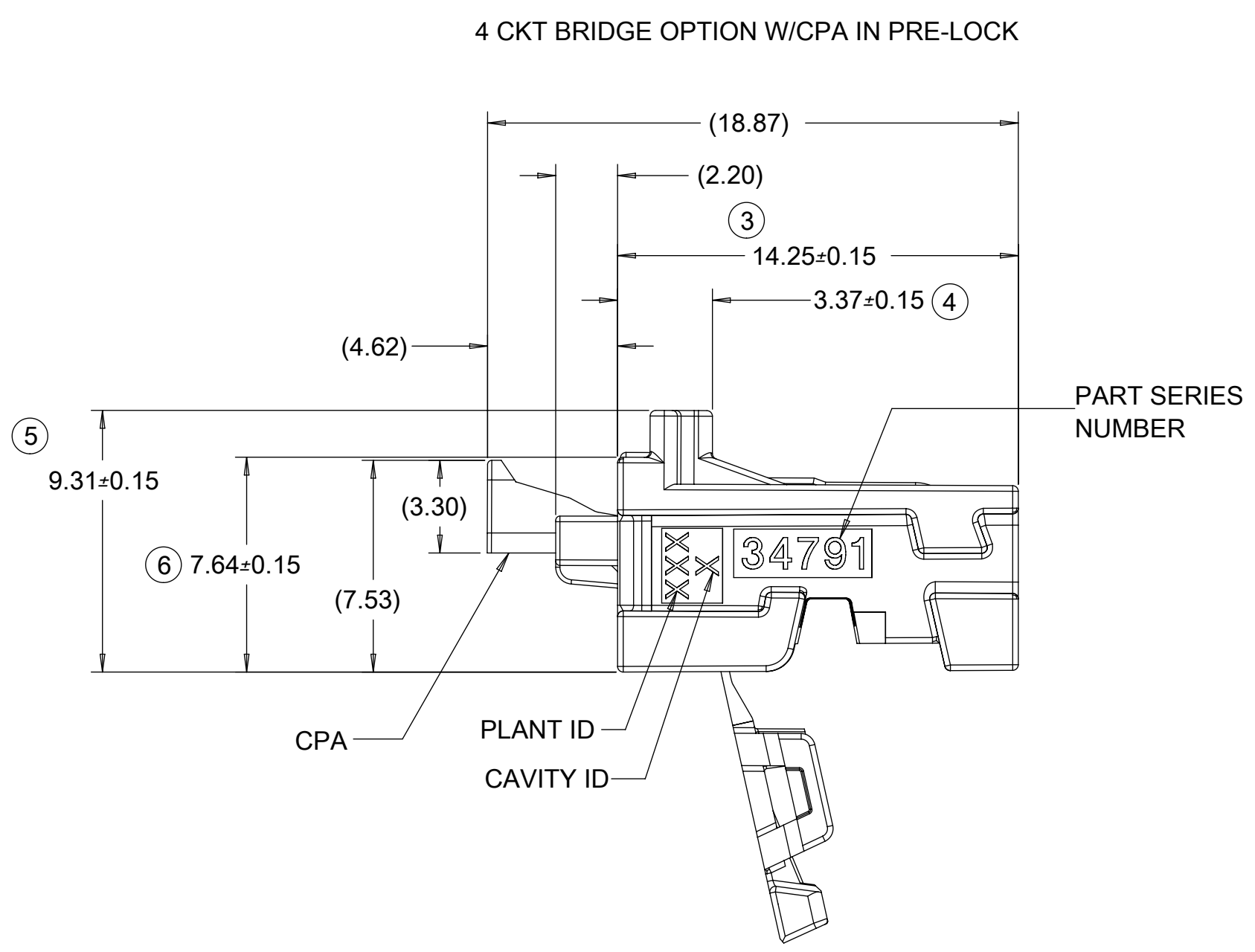
24 CKT BRIDGED RECEPTACLE W/CPA  
POLARIZATION OPTION B



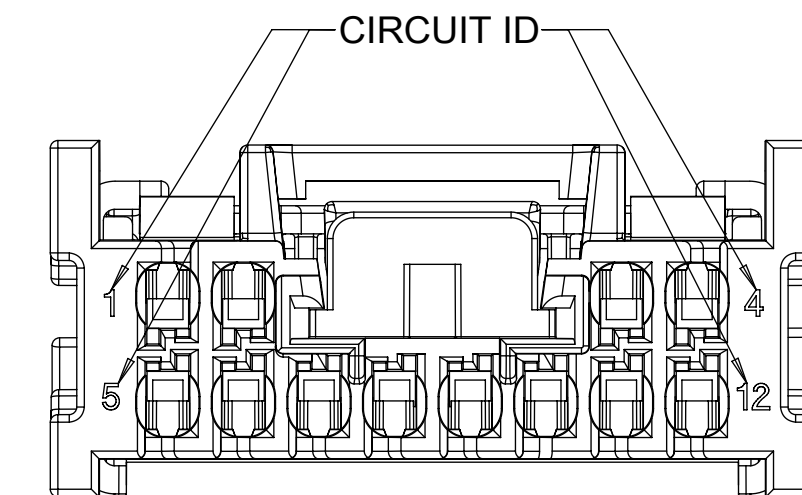
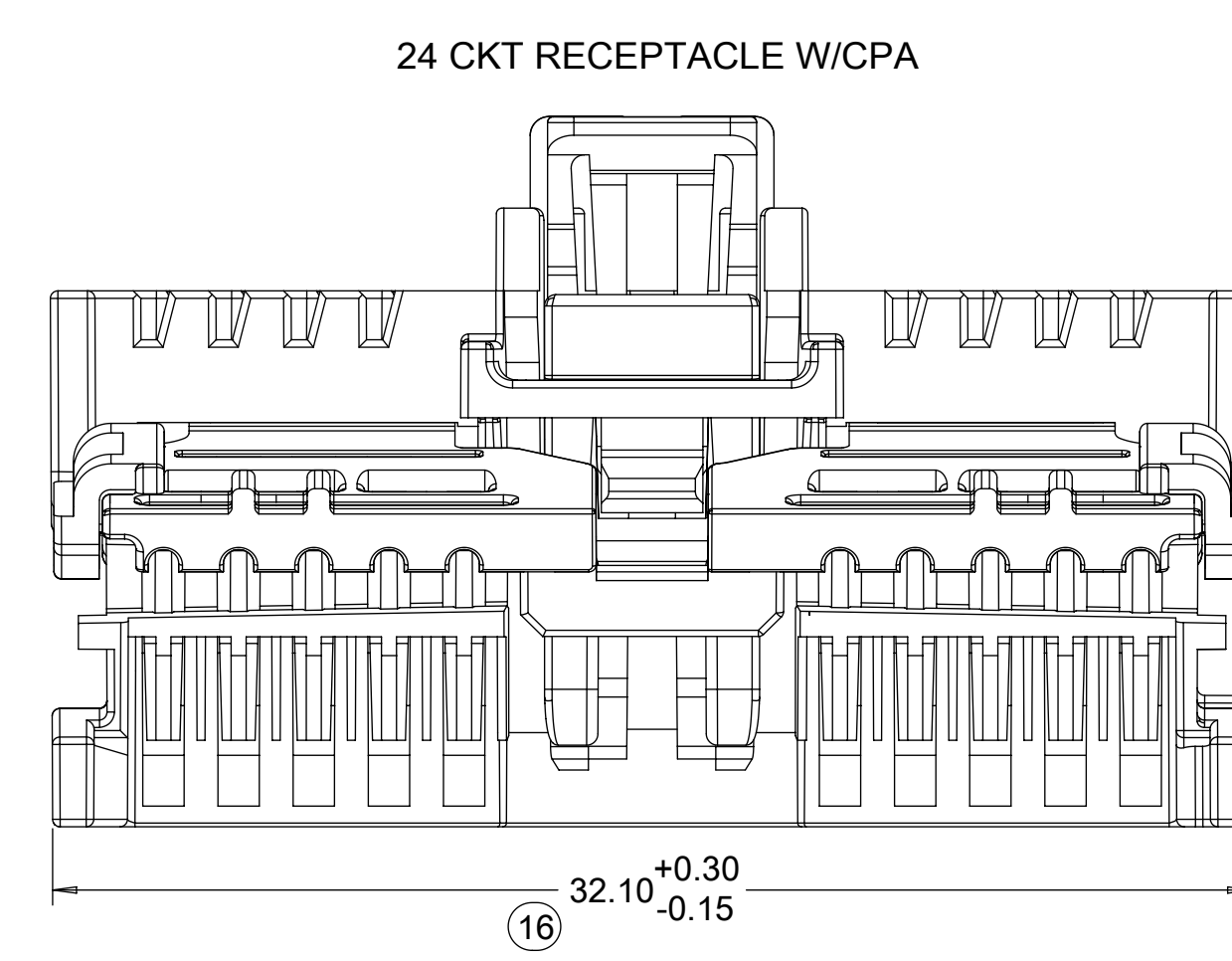
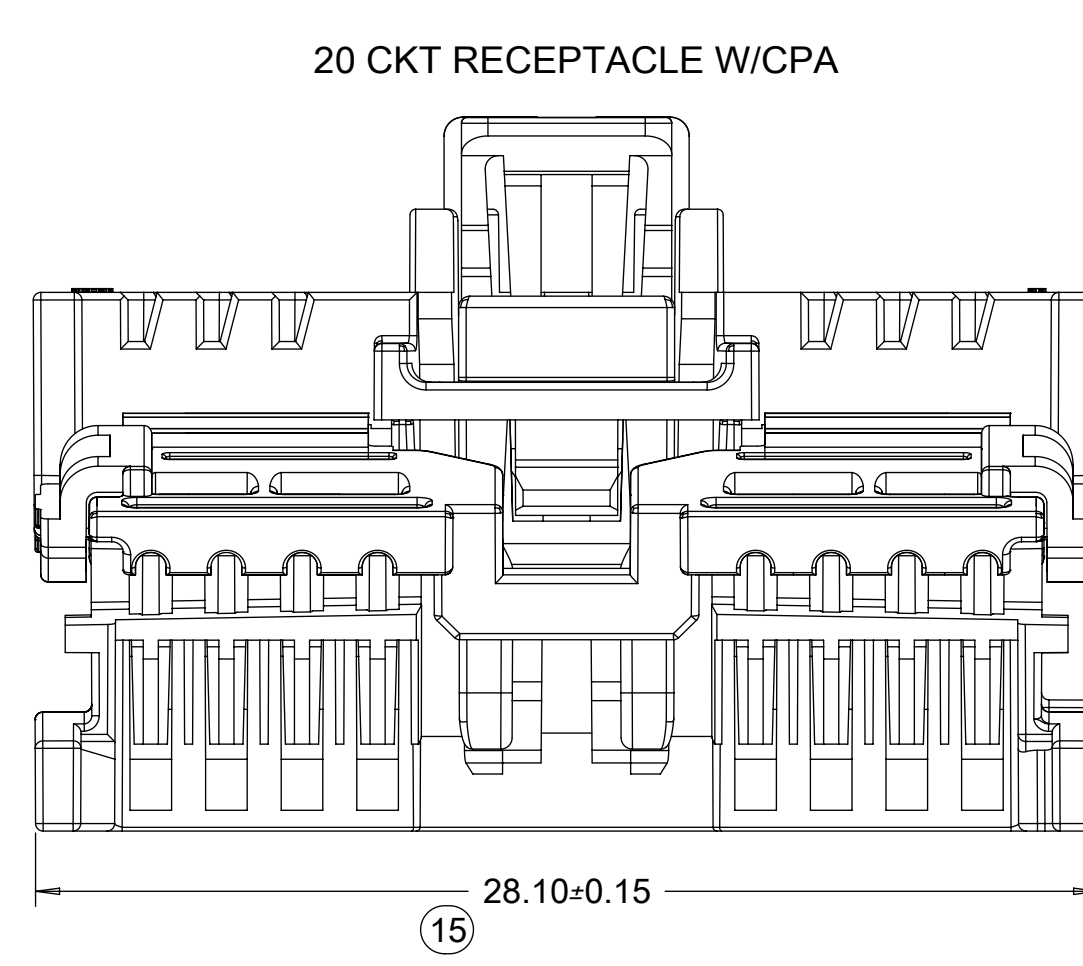
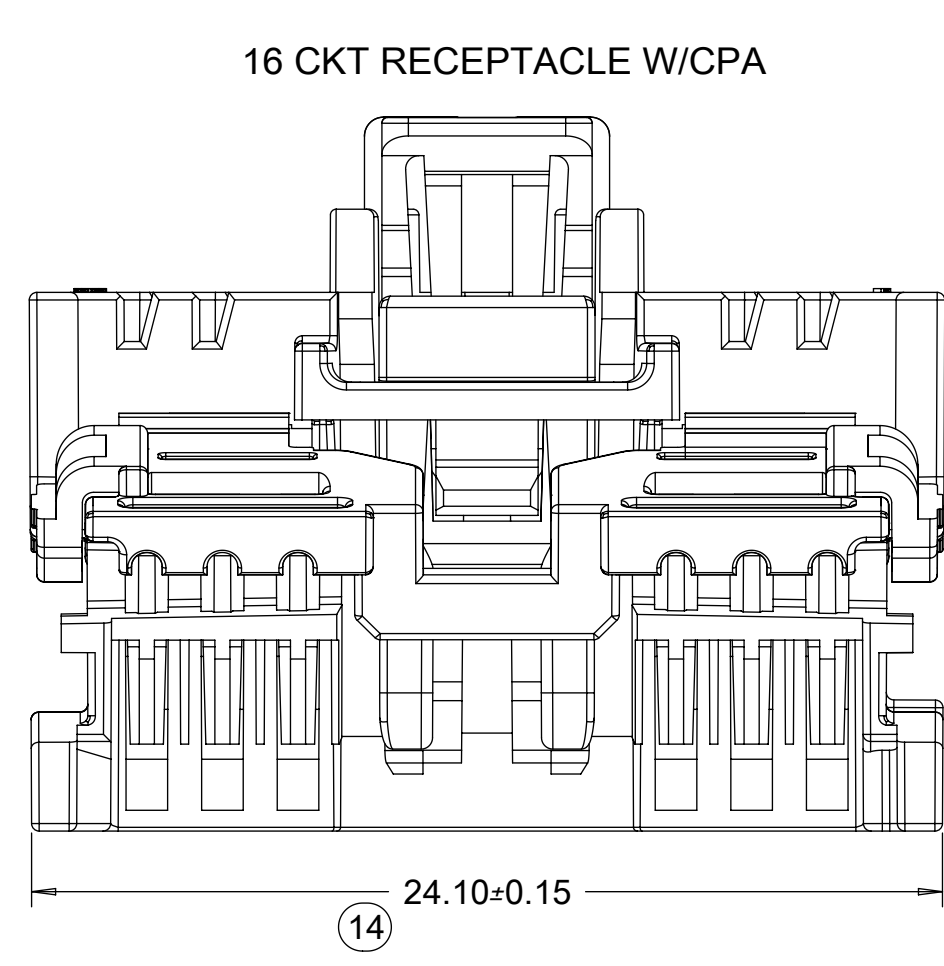
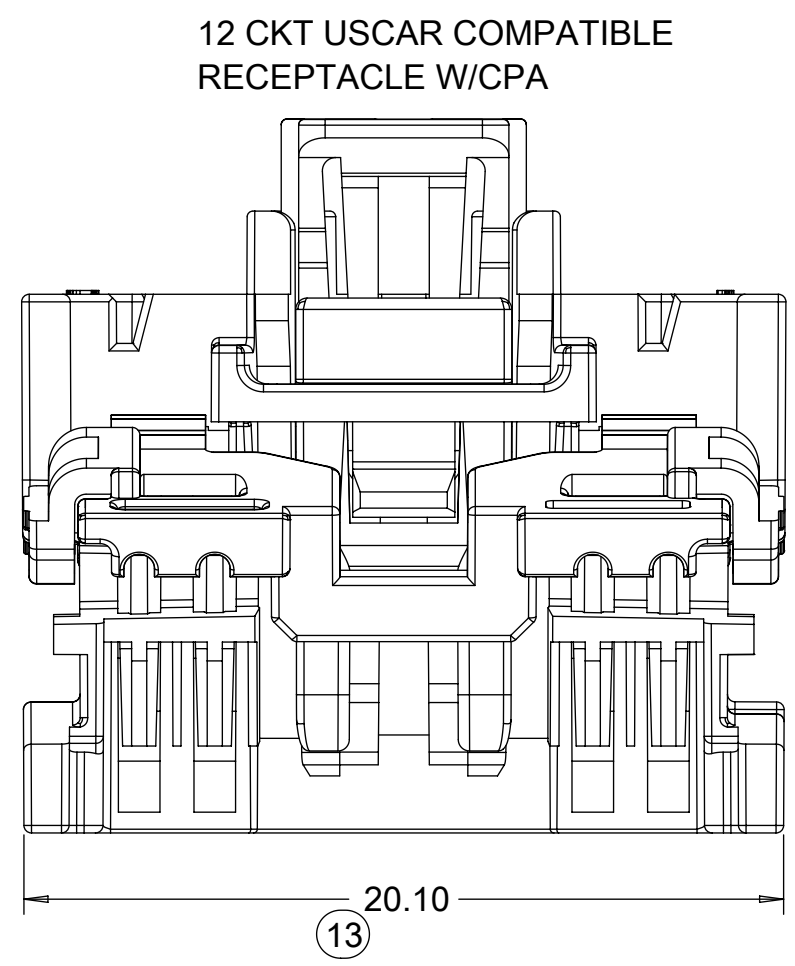
24 CKT BRIDGED RECEPTACLE W/CPA  
POLARIZATION OPTION C

<b>QUALITY SYMBOLS</b> 	THIS DRAWING CONTAINS INFORMATION THAT IS PROPRIETARY TO MOLEX ELECTRONIC TECHNOLOGIES, LLC AND SHOULD NOT BE USED WITHOUT WRITTEN PERMISSION										
	EC NO: 122482 DRWN: SMANESHABU CHKD: REV / APPR: TMACHUGA	2017/09/26	2017/09/27	GENERAL TOLERANCES (UNLESS SPECIFIED)		DIMENSION UNITS	SCALE				
				ANGULAR TOL ± 1.0 °		MM ONLY	5:1				
				4 PLACES ±	DRWN BY		DATE	MINI 50 SINGLE/DUAL ROW CPA-RECEPTACLE ASSEMBLY SALES DRAWING			
		3 PLACES ±	CHK'D BY		DATE	PRODUCT CUSTOMER DRAWING					
		2 PLACES ± 0.1	APPR BY		DATE	SERIES MATERIAL NUMBER CUSTOMER					
		1 PLACE ± 0.2	RBAUMAN		2013/11/13	34824 SEE TABLE GENERAL MARKET					
		0 PLACES ±	DRAWING SIZE		THIRD ANGLE PROJECTION	DOCUMENT NUMBER DOC TYPE DOC PART SHEET NUMBER					
		DRAFT WHERE APPLICABLE MUST REMAIN WITHIN DIMENSIONS	A1			SD-34824-003 PSD 001 2 OF 5					

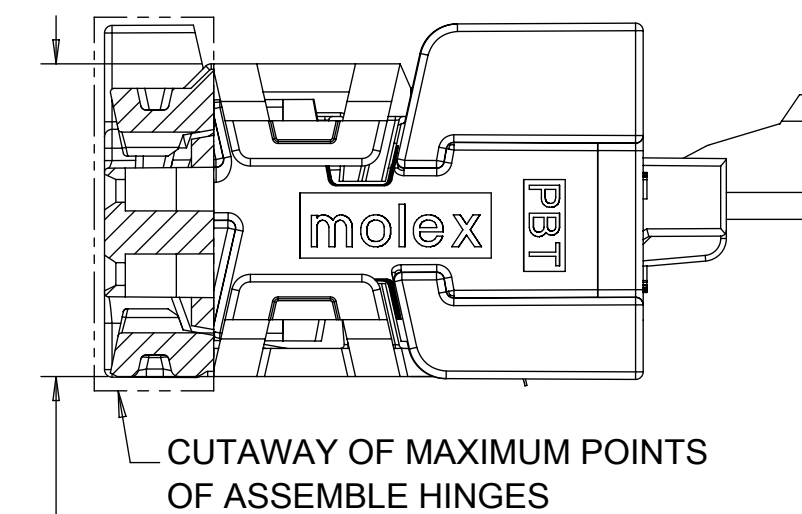
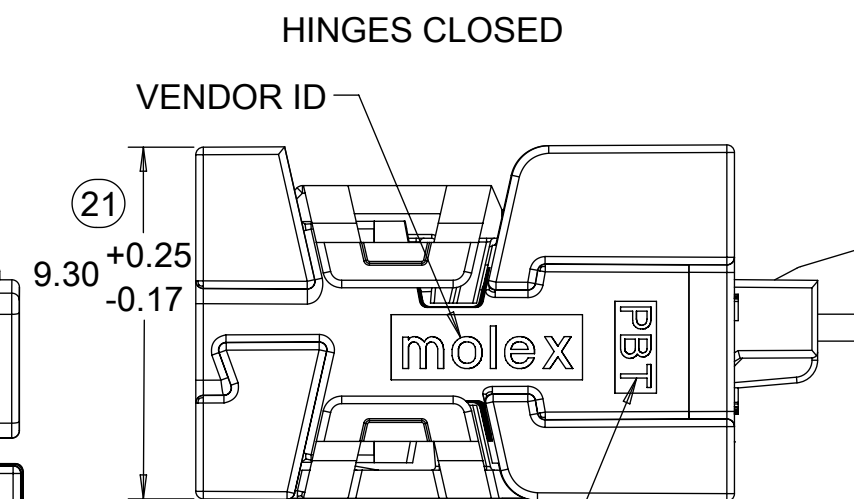
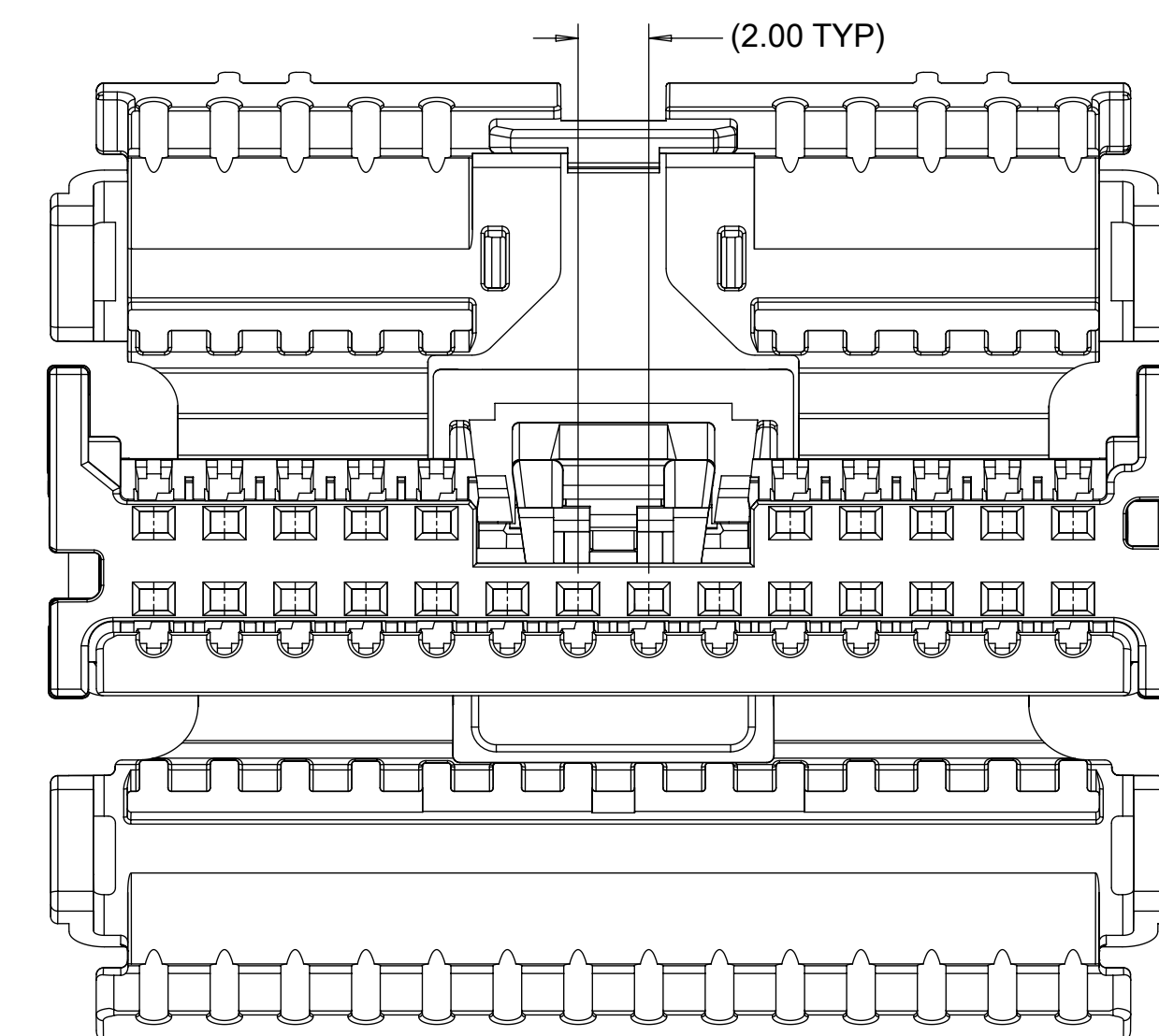
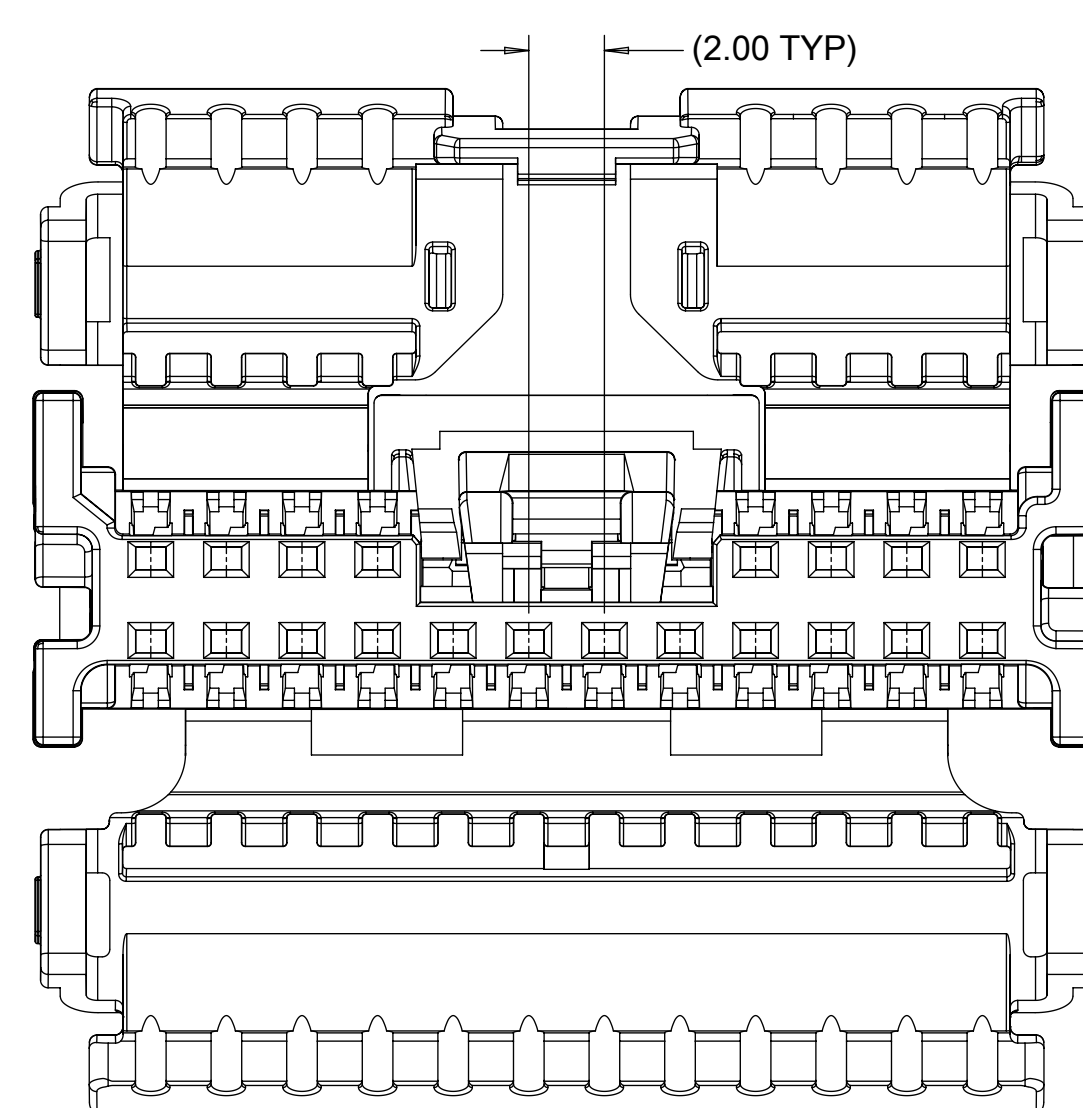
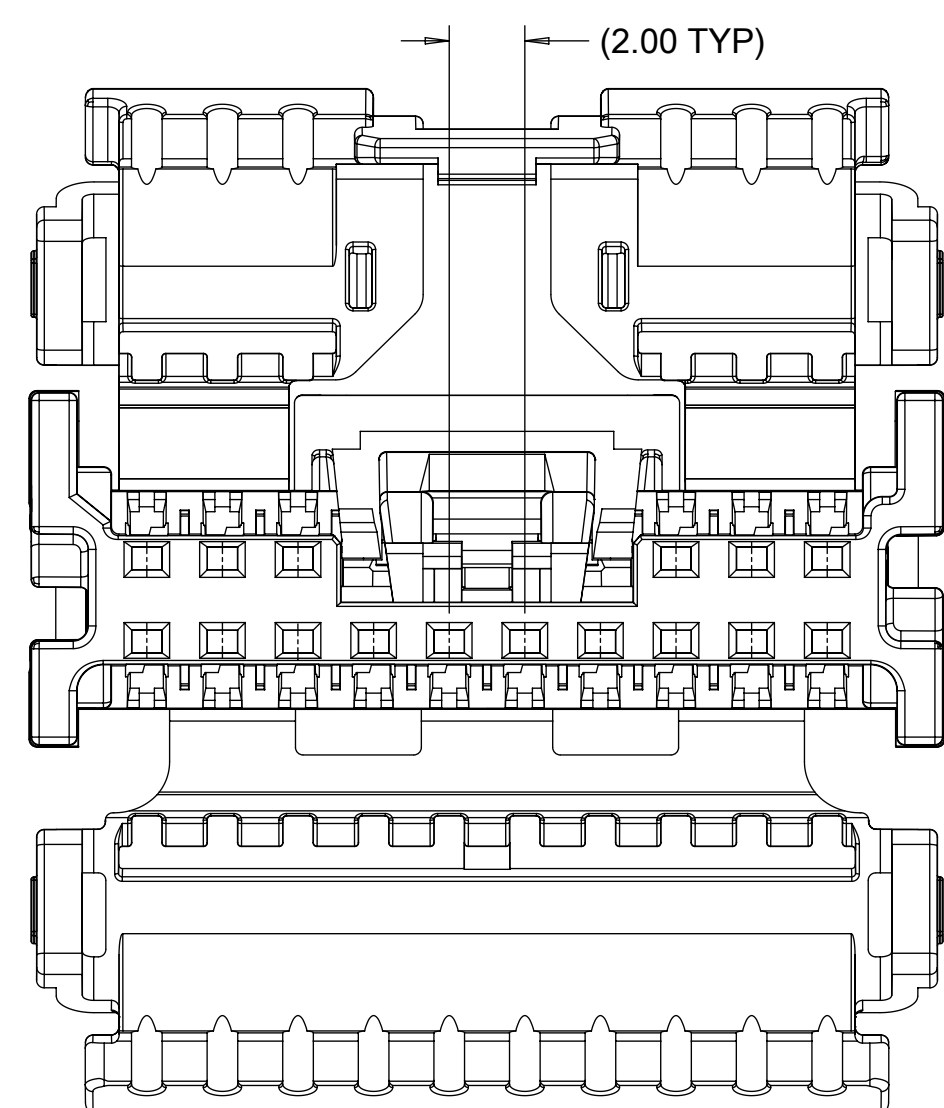
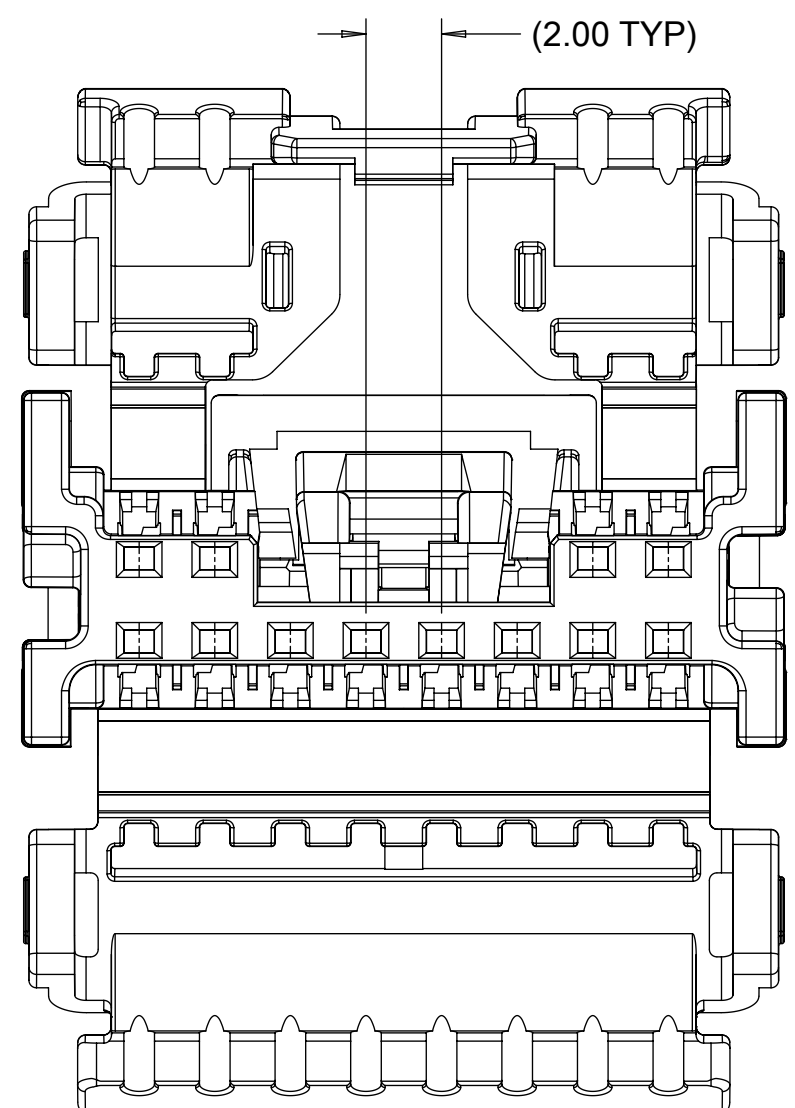
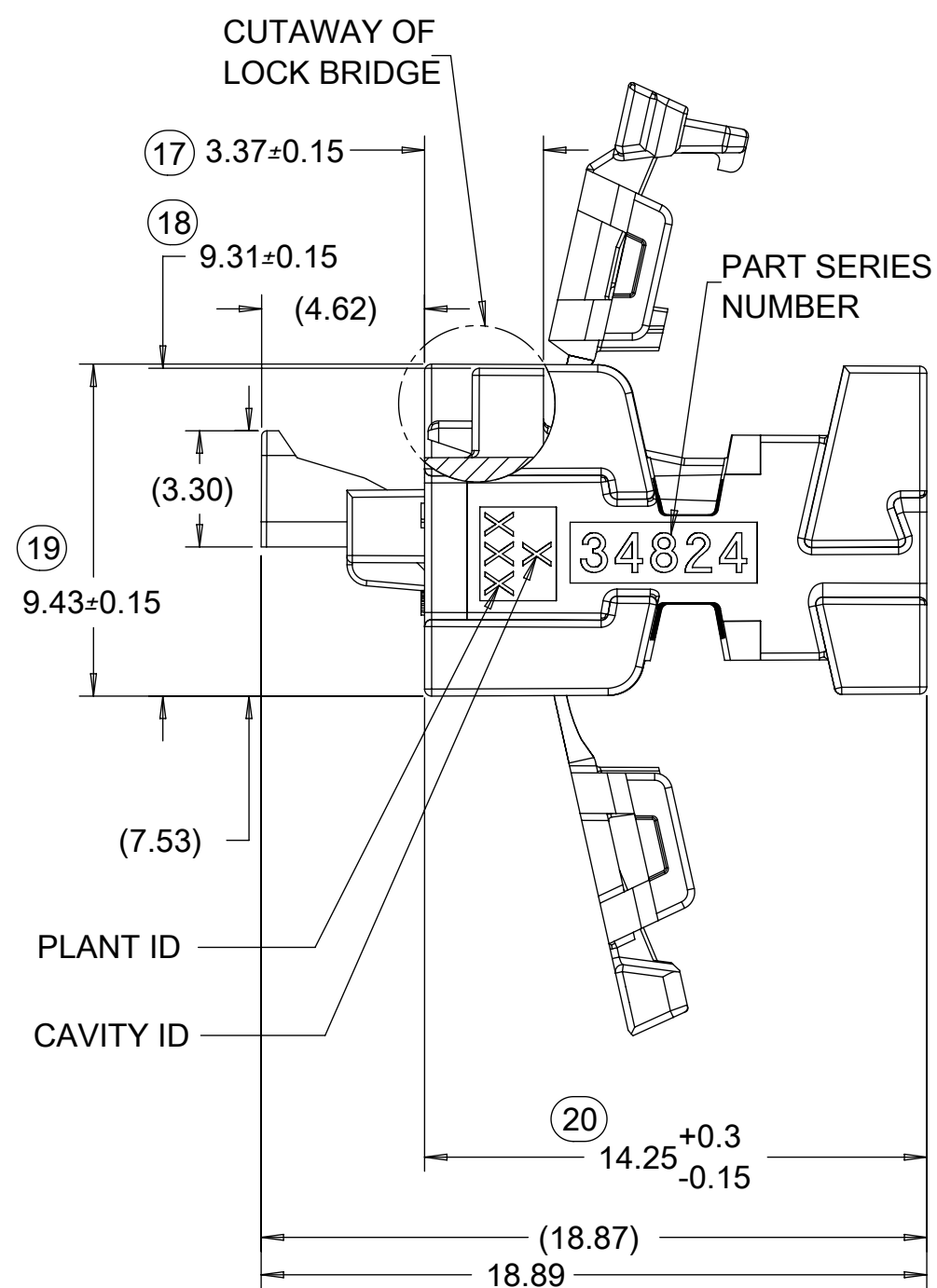




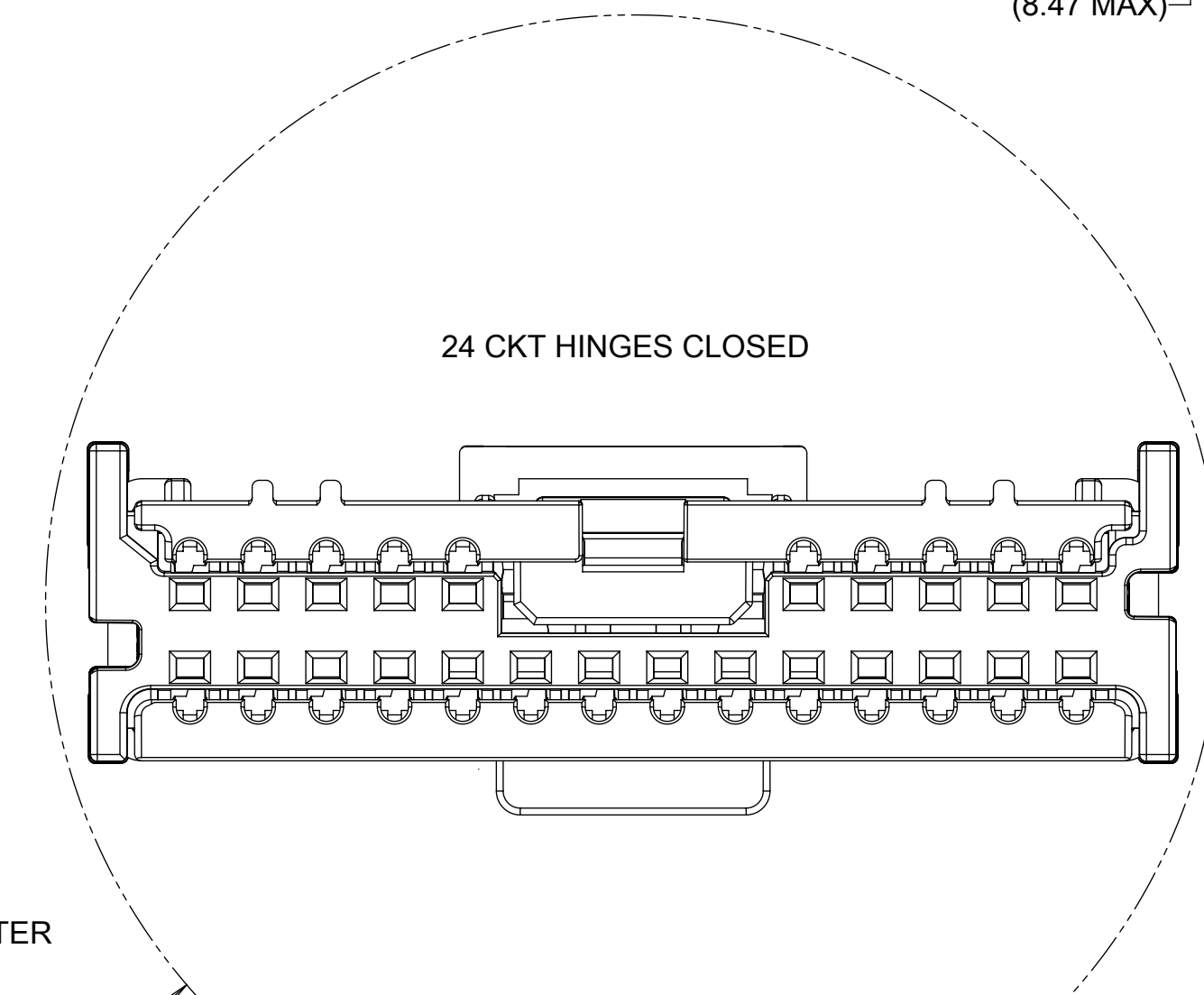
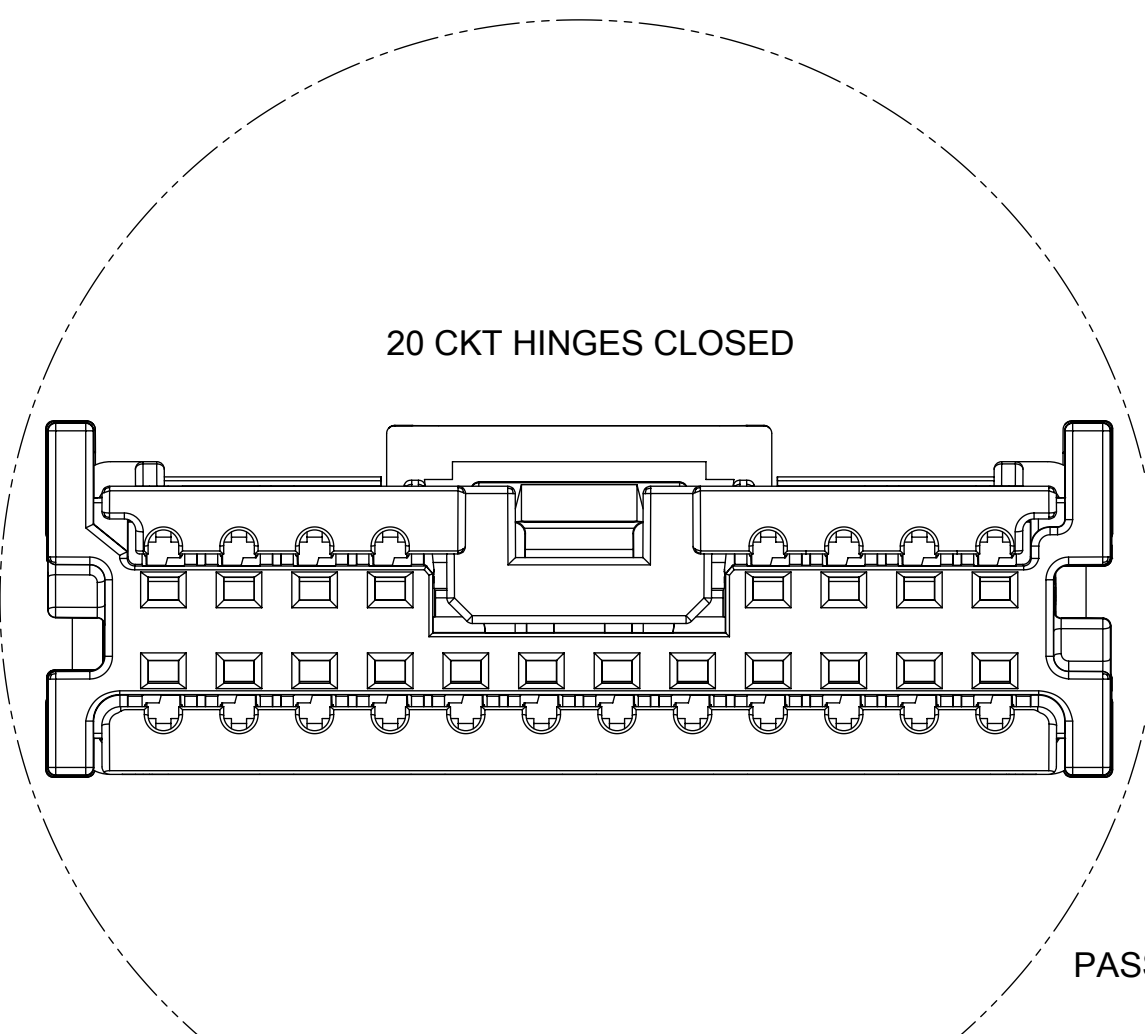
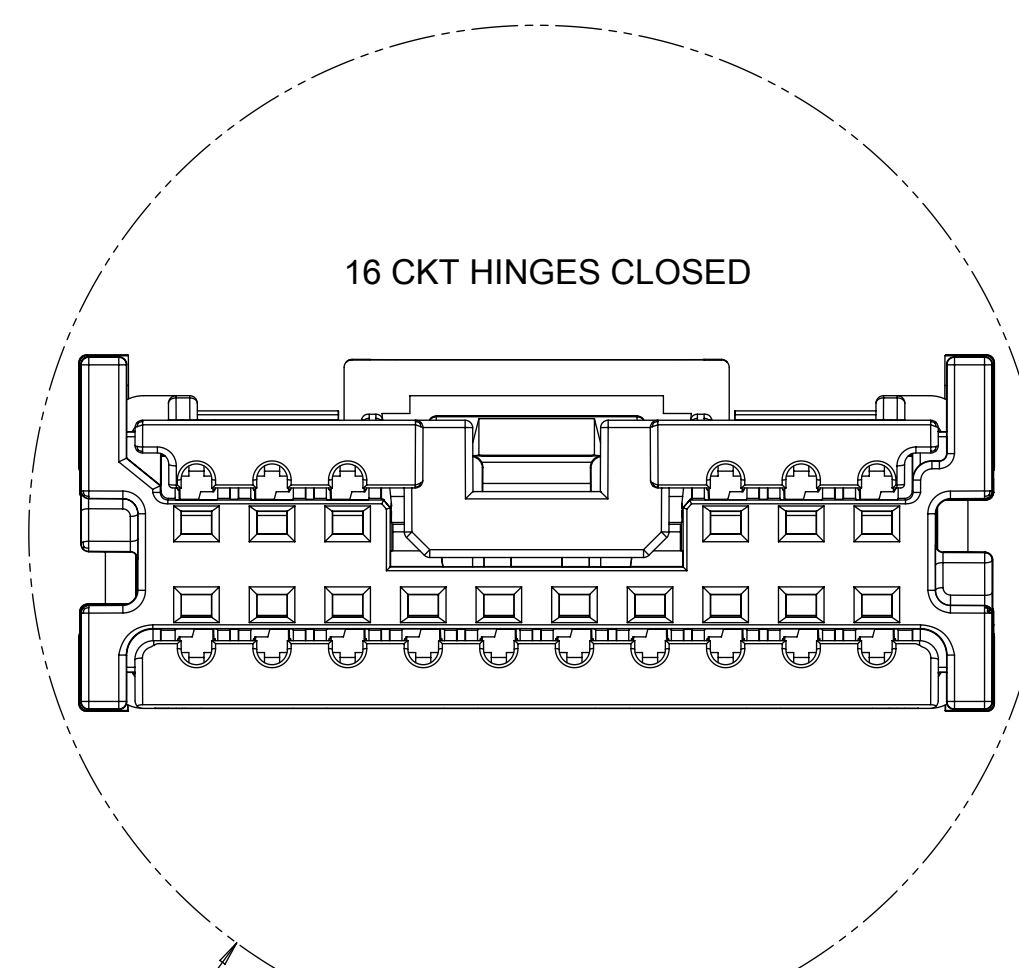
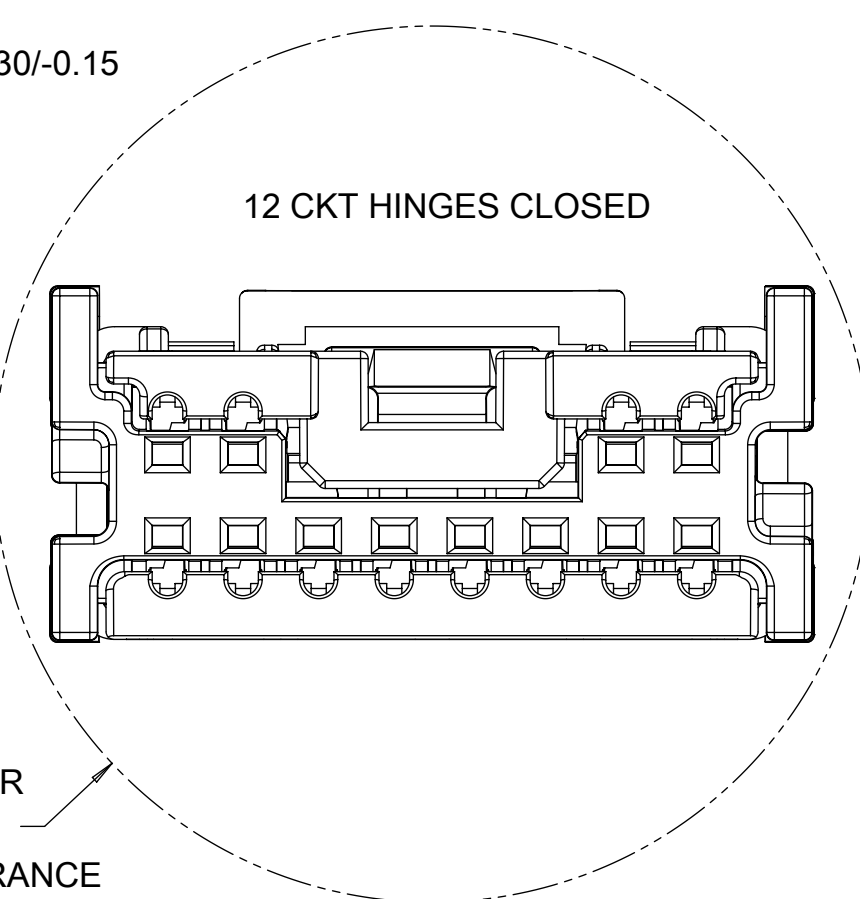
QUALITY SYMBOLS FA = 0 FE = 0 FE = 0 ▼ = 0 C = 0 ☒ = 0 ■ = 0 ∇ = 0	THIS DRAWING CONTAINS INFORMATION THAT IS PROPRIETARY TO MOLEX ELECTRONIC TECHNOLOGIES, LLC AND SHOULD NOT BE USED WITHOUT WRITTEN PERMISSION				<b>molex</b> <sup>®</sup> MINI 50 SINGLE/DUAL ROW CPA-RECEPTACLE ASSEMBLY SALES DRAWING PRODUCT CUSTOMER DRAWING	
	EC NO: 122482 DRWN: SMANESHABABU CHKD: TMACHUGA APPR:	2017/09/26 2017/09/27	GENERAL TOLERANCES (UNLESS SPECIFIED) ANGULAR TOL ± 1.0 ° 4 PLACES ± 3 PLACES ± 2 PLACES ± 0.1 1 PLACE ± 0.2 0 PLACES ±	DIMENSION UNITS MM ONLY DRWN BY MYOUNG01 CHK'D BY CHKD BY APPR BY RBAUMAN DATE 2013/01/31 DATE 2013/11/13	SCALE 5:1 DATE 2013/01/31	SERIES 34824 MATERIAL NUMBER SEE TABLE CUSTOMER GENERAL MARKET



DUAL ROW LOCK BRIDGE OPTION



\*NOTE: DIM 20 TOLERANCE IS +0.30/-0.15 FOR P/N: 34824 - 2244/5/6



<p>QUALITY SYMBOLS</p> <p>FA = 0</p> <p>FE = 0</p> <p>FE = 0</p> <p>▽ = 0</p> <p>C = 0</p> <p>☒ = 0</p> <p>■ = 0</p> <p>▽ = 0</p>	THIS DRAWING CONTAINS INFORMATION THAT IS PROPRIETARY TO MOLEX ELECTRONIC TECHNOLOGIES, LLC AND SHOULD NOT BE USED WITHOUT WRITTEN PERMISSION			
	<p>2017/09/26</p> <p>DRWN BY: SMASHBABU</p> <p>CHKD BY: TMACHUGA</p> <p>REV: M2</p>	<p>2017/09/27</p> <p>APPR BY: TMACHUGA</p>	GENERAL TOLERANCES (UNLESS SPECIFIED)	DIMENSION UNITS
			SCALE	SCALE
			MM ONLY	5:1
			ANGULAR TOL ± 1.0 °	DRWN BY: MYOUNG01
			4 PLACES ±	DATE: 2013/01/31
			3 PLACES ±	CHK'D BY: CHKD BY
			2 PLACES ± 0.1	APPR BY: RBAUMAN
			1 PLACE ± 0.2	DATE: 2013/11/13
			0 PLACES ±	DRAWING SIZE: A1
		DRAFT WHERE APPLICABLE MUST REMAIN WITHIN DIMENSIONS	THIRD ANGLE PROJECTION	
<p>EC NO: 122482</p> <p>DRWN: SMASHBABU</p> <p>CHKD: TMACHUGA</p> <p>REV: M2</p>		<p>SERIES: 34824</p> <p>MATERIAL NUMBER: SEE TABLE</p> <p>DOCUMENT NUMBER: SD-34824-003</p>	<p>CUSTOMER: GENERAL MARKET</p> <p>DOC TYPE: PSD</p> <p>DOC PART: 001</p> <p>SHEET NUMBER: 4 OF 5</p>	



**SINGLE ROW ASSEMBLY  
(RECEPTACLE WITH CPA)**

MOLEX MATERIAL NUMBER BULK PACKAGING PK-31301-538	GENERAL MOTORS PART NUMBER	CONFIGURATION	CIRCUIT	POL	COLOR	MATING COMPONENT					
						SURFACE MOUNT TECHNOLOGY (SMT) HEADER		VERTICAL THRU HOLE HEADER		RIGHT ANGLE THRU HOLE HEADERS	
						TAPE AND REEL PACKAGING PK-31301-786	TUBE PACKAGING PK-31301-688	TRAY PACKAGING PK-31301-440	TUBE PACKAGING PK-31301-688	TRAY PACKAGING PK-31301-440	TUBE PACKAGING PK-31301-688
34791-5140	13507113	USCAR COMPATIBLE	4	A	BLACK	34912-8040	34912-9040	34792-0040	34792-9040	34793-0040	34793-9040
34791-5141	13507115	USCAR COMPATIBLE	4	B	LIGHT GRAY	34912-8041	34912-9041	34792-0041	34792-9041	34793-0041	34793-9041
34791-5142	13507116	USCAR COMPATIBLE	4	C	DARK GRAY	34912-8042	34912-9042	34792-0042	34792-9042	34793-0042	34793-9042
34791-5143	13507117	USCAR COMPATIBLE	4	D	GREEN	34912-8043	34912-9043	34792-0043	34792-9043	34793-0043	34793-9043
34791-5180	13507118	USCAR COMPATIBLE	8	A	BLACK	34912-8080	34912-9080	34792-0080	34792-9080	34793-0080	34793-9080
34791-5181	13507119	USCAR COMPATIBLE	8	B	LIGHT GRAY	34912-8081	34912-9081	34792-0081	34792-9081	34793-0081	34793-9081
34791-5182	13507120	USCAR COMPATIBLE	8	C	DARK GRAY	34912-8082	34912-9082	34792-0082	34792-9082	34793-0082	34793-9082

**DUAL ROW ASSEMBLY  
(RECEPTACLE WITH CPA)**

MOLEX MATERIAL NUMBER BULK PACKAGING PK-31301-538	GENERAL MOTORS PART NUMBER	CONFIGURATION	CIRCUIT	POL	COLOR	MATING COMPONENT					
						SURFACE MOUNT TECHNOLOGY (SMT) HEADER		VERTICAL THRU HOLE HEADER		RIGHT ANGLE THRU HOLE HEADER	
						TAPE AND REEL PACKAGING PK-31301-786	TUBE PACKAGING PK-31301-688	TRAY PACKAGING PK-31301-440	TUBE PACKAGING PK-31301-688	TRAY PACKAGING PK-31301-440	TUBE PACKAGING PK-31301-688
34824-5124	13507121	USCAR COMPATIBLE	12	A	BLACK	34897-8120	34897-9120	34825-0124	34825-9124	34826-0124	34826-9124
34824-5125	13507122	USCAR COMPATIBLE	12	B	LIGHT GRAY	34897-8121	34897-9121	34825-0125	34825-9125	34826-0125	34826-9125
34824-5126	13507114	USCAR COMPATIBLE	12	C	DARK GRAY	34897-8122	34897-9122	34825-0126	34825-9126	34826-0126	34826-9126
34824-2160	N/A	MOLEX	16	A	BLACK	34897-8160	34897-9160	34825-0160	34825-9160	34826-0160	34826-9160
34824-2161	N/A	MOLEX	16	B	LIGHT GRAY	34897-8161	34897-9161	34825-0161	34825-9161	34826-0161	34826-9161
34824-2162	N/A	MOLEX	16	C	DARK GRAY	34897-8162	34897-9162	34825-0162	34825-9162	34826-0162	34826-9162
34824-2200	13596105	MOLEX	20	A	BLACK	34897-8200	34897-9200	34825-0200	34825-9200	34826-0200	34826-9200
34824-2201	13596106	MOLEX	20	B	LIGHT GRAY	34897-8201	34897-9201	34825-0201	34825-9201	34826-0201	34826-9201
34824-2202	13596107	MOLEX	20	C	DARK GRAY	34897-8202	34897-9202	34825-0202	34825-9202	34826-0202	34826-9202
34824-2244	N/A	MOLEX	24	A	BLACK	34897-8240	34897-9240	34825-0240	34825-9240	34826-0240	34826-9240
34824-2245	N/A	MOLEX	24	B	LIGHT GRAY	34897-8241	34897-9241	34825-0241	34825-9241	34826-0241	34826-9241
34824-2246	N/A	MOLEX	24	C	DARK GRAY	34897-8242	34897-9242	34825-0242	34825-9242	34826-0242	34826-9242


\*NOTE: MOLEX CONFIGURATION CONSISTS OF AN EXPANSION OF THE 12CKT USCAR-COMPATIBLE CONFIGURATION TO ALLOW FOR 16, 20, AND 24 CIRCUITS

**MINI50 CPA (APPLIES TO SINGLE AND DUAL ROW BRIDGED RECEPTACLE CONNECTORS)**

MATERIAL NUMBER	COLOR	MATING COMPONENT
34824-7000	NATURAL	SEE CHARTS ABOVE

**CTX50 UNSEALED RECEPTACLE TERMINALS**

PART NUMBER		MATERIAL	WIRE GAGE (mm <sup>2</sup> )	GRIP
D-WIND (LEFT PAYOFF)	B-WIND (RIGHT PAYOFF)			
560023-0448	560023-0450	COPPER ALLOY	0.35	LARGE
560023-0421	560023-0423	COPPER ALLOY	0.22	MEDIUM
560023-0422	560023-0424	COPPER ALLOY	0.13	SMALL

QUALITY SYMBOLS FA = 0 FE = 0 FE = 0 FV = 0 FC = 0 FC = 0 FC = 0 FC = 0 FC = 0	THIS DRAWING CONTAINS INFORMATION THAT IS PROPRIETARY TO MOLEX ELECTRONIC TECHNOLOGIES, LLC AND SHOULD NOT BE USED WITHOUT WRITTEN PERMISSION										
	EC NO: 122482 DRWN: SMANESHABU CHKD: REV APPR: TMACHUGA	2017/09/26	2017/09/27	GENERAL TOLERANCES (UNLESS SPECIFIED)	DIMENSION UNITS	SCALE	 <p align="center">MINI 50 SINGLE/DUAL ROW CPA-RECEPTACLE ASSEMBLY SALES DRAWING</p> <p align="center">PRODUCT CUSTOMER DRAWING</p>				
				MM ONLY	1:1						
				ANGULAR TOL ± 1.0 °	DRWN BY	DATE					
		4 PLACES ±	MYOUNG01	2013/01/31							
		3 PLACES ±	CHK'D BY	DATE	SERIES: 34824    MATERIAL NUMBER: SEE TABLE    CUSTOMER: GENERAL MARKET DOCUMENT NUMBER: SD-34824-003    DOC TYPE: PSD    DOC PART: 001    SHEET NUMBER: 5 OF 5						
		2 PLACES ± 0.1	CHKD BY	DATE							
		1 PLACE ± 0.2	RBAUMAN	2013/11/13							
		0 PLACES ±	APPR BY	DATE							
			DRAFT WHERE APPLICABLE MUST REMAIN WITHIN DIMENSIONS	A1							