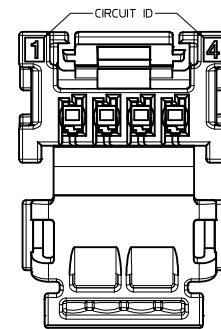
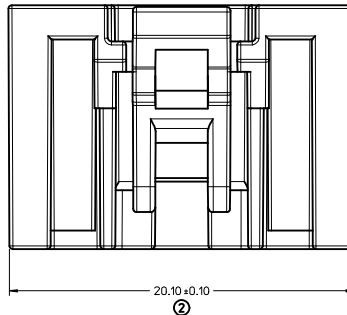
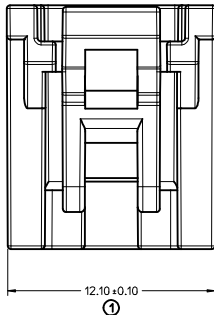
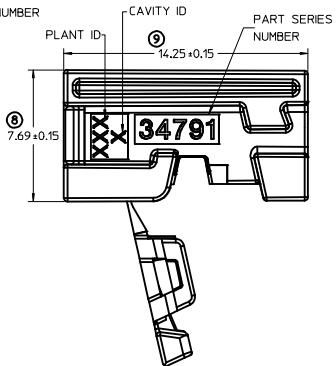
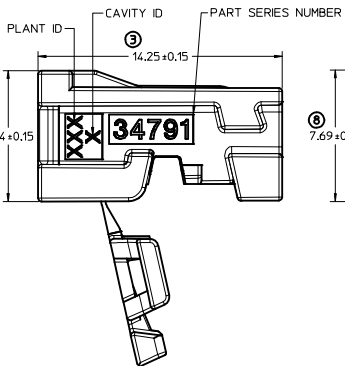


(NON-BRIDGED 4 CKT OPTION SHOWN BELOW)

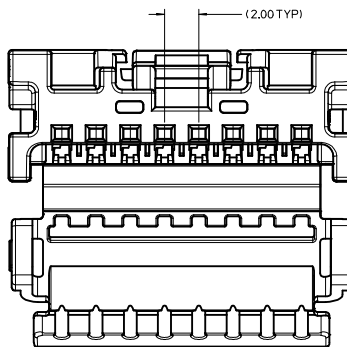
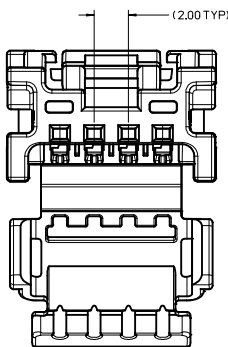
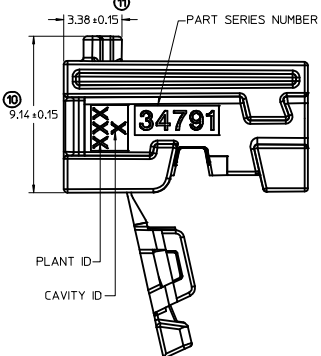
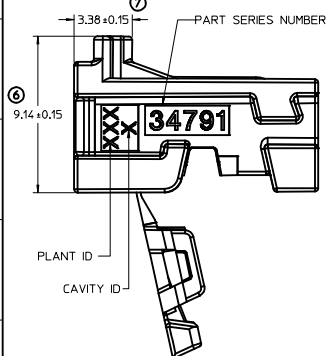
(NON-BRIDGED 8 CKT OPTION SHOWN BELOW)



4 CKT RECEPTACLE SHOWN BELOW.
8 CKT RECEPTACLE HAS SIMILAR
CIRCUIT ID LOCATION.

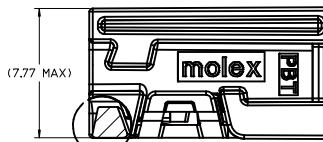
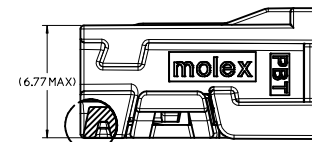
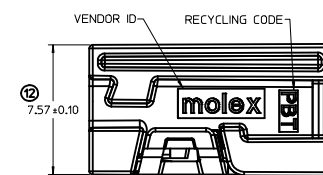
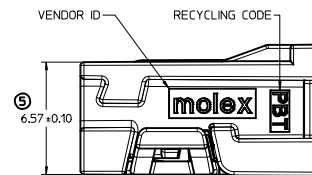
(BRIDGED 4 CKT OPTION SHOWN BELOW)

(BRIDGED 8 CKT OPTION SHOWN BELOW)



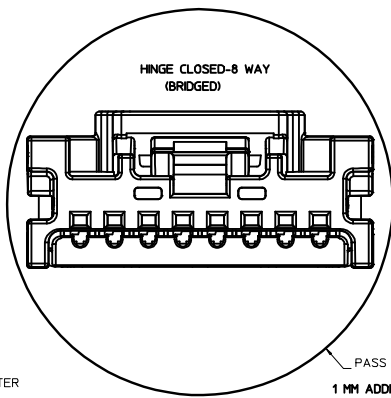
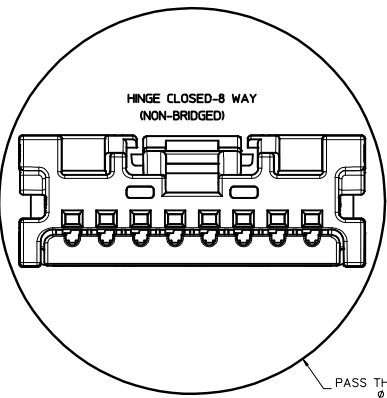
4 CKT HINGE CLOSED

8 CKT HINGE CLOSED



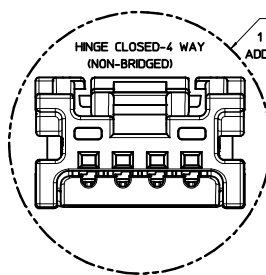
CUTAWAY SHOWING LOWEST
POINT ASSEMBLED HINGE

CUTAWAY SHOWING LOWEST
POINT ASSEMBLED HINGE

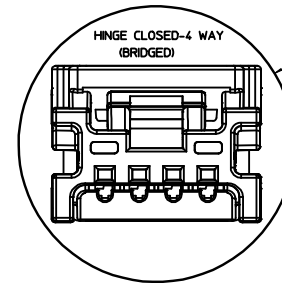


PASS THRU DIAMETER
Ø 22.52
1 MM ADDITIONAL CLEARANCE
ADDED TO TIGHTEST FIT CIRCLE

PASS THRU DIAMETER
Ø 22.52
1 MM ADDITIONAL CLEARANCE
ADDED TO TIGHTEST FIT CIRCLE



PASS THRU DIAMETER
Ø 15.26
1 MM ADDITIONAL CLEARANCE
ADDED TO TIGHTEST FIT CIRCLE



PASS THRU DIAMETER
Ø 16.09
1 MM ADDITIONAL CLEARANCE
ADDED TO TIGHTEST FIT CIRCLE

USCAR UPDATES EIC NO. UAU2013-0532 DRAWN BY: JDUJ CHECKED BY: BDLCK APPROVED BY: SMARCEAU DATE: 2011/11/21 MATERIAL NO. SEE TABLE DOCUMENT NO. SD-34791-001	QUALITY SYMBOLS ∇=0 ∇=0 ∇=0	GENERAL TOLERANCES (UNLESS SPECIFIED) mm INCH 4 PLACES ± --- ± --- 3 PLACES ± --- ± --- 2 PLACES ± --- ± --- 1 PLACE ± --- ± --- ANGULAR ± ---°	DIMENSION STYLE MM ONLY DRAWN BY: JDUJ DATE: 2010/06/24 CHECKED BY: BDLCK DATE: 2010/06/24 APPROVED BY: SMARCEAU DATE: 2011/11/21	SCALE 7:1 DESIGN UNITS METRIC THIRD ANGLE PROJECTION	TITLE MINISO SINGLE ROW RECEPTACLE ASSEMBLY SALES DRAWING MOLEX INCORPORATED	SHEET NO. 2 OF 3
	DRAFT WHERE APPLICABLE MUST REMAIN WITHIN DIMENSIONS					
	THIS DRAWING CONTAINS INFORMATION THAT IS PROPRIETARY TO MOLEX INCORPORATED AND SHOULD NOT BE USED WITHOUT WRITTEN PERMISSION					
	SIZE D					

MINI50 RECEPTACLE ASSEMBLIES

MATERIAL NUMBER BULK PACKAGING PK-31301-538	LOCK BRIDGE OPTION	CONFIGURATION	CIRCUIT	POL	COLOR	TOOLED	MATING COMPONENT								
							SURFACE MOUNT TECHNOLOGY (SMT) HEADER			VERTICAL THRU HOLE HEADER			RIGHT ANGLE THRU HOLE HEADERS		
							TAPE AND REEL PACKAGING PK-31301-786	TUBE PACKAGING PK-31301-688	TOOLED	TRAY PACKAGING PK-31301-440	TUBE PACKAGING PK-31301-688	TOOLED *SEE NOTE 3g.	TRAY PACKAGING PK-31301-440	TUBE PACKAGING PK-31301-688	TOOLED *SEE NOTE 3g.
34791-0040	NO	USCAR COMPATIBLE	4	A	BLACK	YES	34912-8040	34912-9040	YES	34792-0040	34792-9040	NO	34793-0040	34793-9040	NO
34791-0041	NO	USCAR COMPATIBLE	4	B	GRAY	YES	34912-8041	34912-9041	YES	34792-0041	34792-9041	NO	34793-0041	34793-9041	NO
34791-0042	NO	USCAR COMPATIBLE	4	C	BROWN	YES	34912-8042	34912-9042	YES	34792-0042	34792-9042	NO	34793-0042	34793-9042	NO
34791-0043	NO	USCAR COMPATIBLE	4	D	GREEN	YES	34912-8043	34912-9043	YES	34792-0043	34792-9043	NO	34793-0043	34793-9043	NO
34791-0080	NO	USCAR COMPATIBLE	8	A	BLACK	NO	34912-8080	34912-9080	NO	34792-0080	34792-9080	NO	34793-0080	34793-9080	NO
34791-0081	NO	USCAR COMPATIBLE	8	B	GRAY	NO	34912-8081	34912-9081	NO	34792-0081	34792-9081	NO	34793-0081	34793-9081	NO
34791-0082	NO	USCAR COMPATIBLE	8	C	BROWN	NO	34912-8082	34912-9082	NO	34792-0082	34792-9082	NO	34793-0082	34793-9082	NO
34791-0140	YES	USCAR COMPATIBLE	4	A	BLACK	NO	34912-8040	34912-9040	YES	34792-0040	34792-9040	NO	34793-0040	34793-9040	NO
34791-0141	YES	USCAR COMPATIBLE	4	B	GRAY	NO	34912-8041	34912-9041	YES	34792-0041	34792-9041	NO	34793-0041	34793-9041	NO
34791-0142	YES	USCAR COMPATIBLE	4	C	BROWN	NO	34912-8042	34912-9042	YES	34792-0042	34792-9042	NO	34793-0042	34793-9042	NO
34791-0143	YES	USCAR COMPATIBLE	4	D	GREEN	NO	34912-8043	34912-9043	YES	34792-0043	34792-9043	NO	34793-0043	34793-9043	NO
34791-0180	YES	USCAR COMPATIBLE	8	A	BLACK	NO	34912-8080	34912-9080	NO	34792-0080	34792-9080	NO	34793-0080	34793-9080	NO
34791-0181	YES	USCAR COMPATIBLE	8	B	GRAY	NO	34912-8081	34912-9081	NO	34792-0081	34792-9081	NO	34793-0081	34793-9081	NO
34791-0182	YES	USCAR COMPATIBLE	8	C	BROWN	NO	34912-8082	34912-082	NO	34792-0082	34792-9082	NO	34793-0082	34793-9082	NO

CTX50 UNSEALED RECEPTACLE TERMINALS

PART NUMBER		MATERIAL	WIRE GAGE (mm ²)	GRIP
D-WIND (LEFT PAYOFF)	B-WIND (RIGHT PAYOFF)			
560023-0421	560023-0423	COPPER ALLOY	0.22 - 0.35	MEDIUM
560023-0422	560023-0424	COPPER ALLOY	0.08 - 0.13	SMALL

USCAR UPDATES IEC NO. UAU2013-0532 DRAWN BY: CHYK APPR: RBALMAN 2012/10/04 2012/10/29	QUALITY SYMBOLS	GENERAL TOLERANCES (UNLESS SPECIFIED)	DIMENSION STYLE	SCALE	DESIGN UNITS	THIRD ANGLE PROJECTION
	▽=0	4 PLACES ±	MM ONLY	5:1	METRIC	☉
	▽=0	3 PLACES ±				
	▽=0	2 PLACES ±				
		ANGULAR ±				
		DRAFT WHERE APPLICABLE MUST REMAIN WITHIN DIMENSIONS				
			DRAWN BY: JDUNAJ	DATE: 2010/06/24	TITLE: MINI50 SINGLE ROW RECEPTACLE ASSEMBLY SALES DRAWING	
			CHECKED BY: BDLCK	DATE: 2010/06/24	MOLEX INCORPORATED	
			APPROVED BY: SMARCEAU	DATE: 2011/11/21	MATERIAL NO. SD-34791-001	
					SHEET NO. 3 OF 3	