

PLEASE CHECK WWW.MOLEX.COM FOR LATEST PART INFORMATION

Part Number: [1300030051](#)
Status: **Active**
Overview: Brad Quick-Change Connectors
Description: Quick-Change Receptacle, 4 Pole, 1/2" - 14 NPT, Male (Straight) to 12 AWG Leads, 0.30m (11.81") Length

Documents:

[Drawing \(PDF\)](#) [RoHS Certificate of Compliance \(PDF\)](#)

Agency Certification

CSA LR6837
 UL E46237

General

Product Family Industrial Receptacles
 Series [130003](#)
 IP Rating IP67
 Overview [Brad Quick-Change Connectors](#)
 Product Name Quick-Change
 Taxonomy Circular Industrial Connectors
 Type Single Ended (pigtail)
 UPC 78678832680

Physical

Coupling Type External Thread
 Gender Male
 Keyway Single
 Length 0.305m
 Material - Component Nylon
 Mounting Thread Size 1/2" - 14 NPT
 Net Weight 421.000/g
 Orientation Straight
 Panel Mount Front
 Poles 4
 Temperature Range - Operating -20° to +105°C
 Wire Size AWG 12
 Wire/Cable Type UL 1015

Electrical

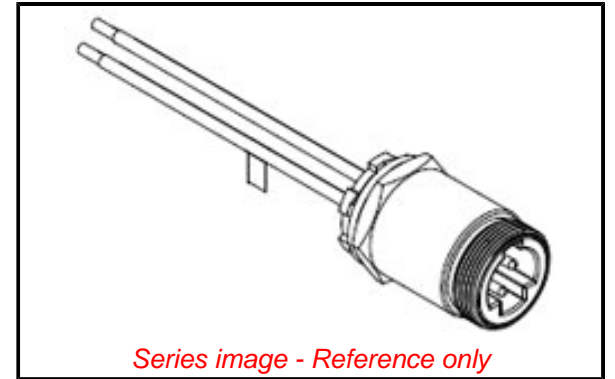
Current - Maximum per Contact 20.0A
 Voltage - Maximum 600V AC/DC

Material Info

Engineering Number 32680

Reference - Drawing Numbers

Sales Drawing SD-130003-004-001



Series image - Reference only

EU ELV

Not Relevant

EU RoHS

Compliant with Exemption 6(c)

REACH SVHC

Not Reviewed

Halogen-Free

Status

Not Reviewed

For more information, please visit [Contact US](#)

China ROHS

ELV

RoHS Phthalates

ZZCERT_CE -

Declaration of

Conformity

ZZCERT_UKCA

- Declaration of

Conformity

China RoHS

50 Image

Not Relevant

Not Contained

CER_4000408918_00_000.pdf

CER_4000410292_00_000.pdf

Search Parts in this Series

[130003 Series](#)