

**PLEASE CHECK WWW.MOLEX.COM FOR LATEST PART INFORMATION**

**Part Number:** [0307005241](#)  
**Status:** **Active**  
**Overview:** H-DAC 64 Unsealed Connector System  
**Description:** 2.54mm, 3.50mm Pitch, H-DAC 64 Hybrid Header, Dual Row, Right-Angle, 24 Circuits, Polarization Option B, Black, Tray

**Documents:**

[3D Model](#) [Packaging Specification PK-30907-261-001 \(PDF\)](#)  
[Drawing \(PDF\)](#) [RoHS Certificate of Compliance \(PDF\)](#)  
[3D Model \(PDF\)](#)

**General**

Product Family	PCB Headers
Series	<a href="#">30700</a>
Application	Automotive, Power, Wire-to-Board
Comments	Polarization Option B
Overview	<a href="#">H-DAC 64 Unsealed Connector System</a>
Product Name	H-DAC 64
UPC	800753321410

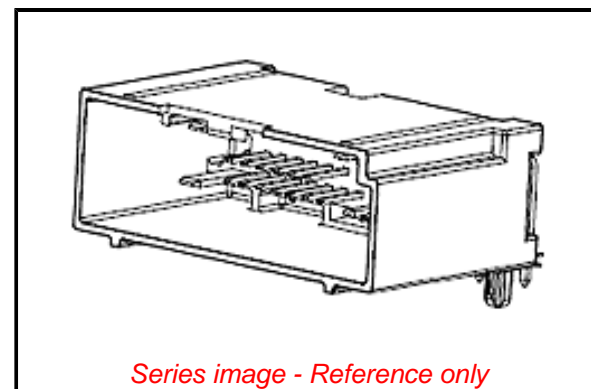
**Physical**

Breakaway	No
Circuits (Loaded)	24
Circuits (maximum)	24
Color - Resin	Black
Durability (mating cycles max)	10
First Mate / Last Break	No
Glow-Wire Capable	No
Guide to Mating Part	No
Keying to Mating Part	None
Lock to Mating Part	Yes
Material - Metal	Copper
Material - Plating Mating	Tin
Material - Plating Termination	Nickel
Material - Resin	Modified Polystyrene
Net Weight	13.972/g
Number of Rows	2
Orientation	Right Angle
PC Tail Length	3.69mm
PCB Locator	Yes
PCB Retention	Yes
PCB Thickness - Recommended	1.57mm
Packaging Type	Tray
Pitch - Mating Interface	2.54mm
Polarized to Mating Part	Yes
Polarized to PCB	Yes
Shrouded	Fully
Stackable	No
Surface Mount Compatible (SMC)	No
Temperature Range - Operating	-40° to +100°C
Termination Interface: Style	Through Hole

**Electrical**

Current - Maximum per Contact	7.0A
Voltage - Maximum	500V DC

**Solder Process Data**



*Series image - Reference only*

**EU ELV**

**Compliant**

**EU RoHS**

**Compliant**

**REACH SVHC**

Not Contained Per -  
D(2020)9139-DC (19  
Jan 2021)

**Halogen-Free**

**Status**

**Not Relevant**

For more information, please visit [Contact US](#)

China ROHS

Not Relevant

ELV

Compliant

RoHS Phthalates

Not Contained

**Search Parts in this Series**

[30700 Series](#)

**Mates With**

H-DAC 64 Housing [307001245](#)

Duration at Max. Process Temperature (seconds)	040
Lead-freeProcess Capability	SMC&WAVE
Max. Cycles at Max. Process Temperature	003
Process Temperature max. C	260

**Material Info**

**Reference - Drawing Numbers**

Packaging Specification	PK-30907-261-001
Sales Drawing	SD-30700-524

This document was generated on 02/24/2021

**PLEASE CHECK [WWW.MOLEX.COM](http://WWW.MOLEX.COM) FOR LATEST PART INFORMATION**