

PLEASE CHECK WWW.MOLEX.COM FOR LATEST PART INFORMATION

Part Number: **0307004240**
Status: **Active**
Overview: H-DAC 64 Unsealed Connector System
Description: 2.54mm, 3.50mm Pitch, H-DAC 64 Hybrid Header, Dual Row, Vertical, 24 Circuits, Polarization Option A, Gray, Tray

Documents:

[3D Model](#) [Product Specification PS-30700-024-001 \(PDF\)](#)
[3D Model \(PDF\)](#) [Packaging Specification PK-30907-261-001 \(PDF\)](#)
[Drawing \(PDF\)](#) [RoHS Certificate of Compliance \(PDF\)](#)

General

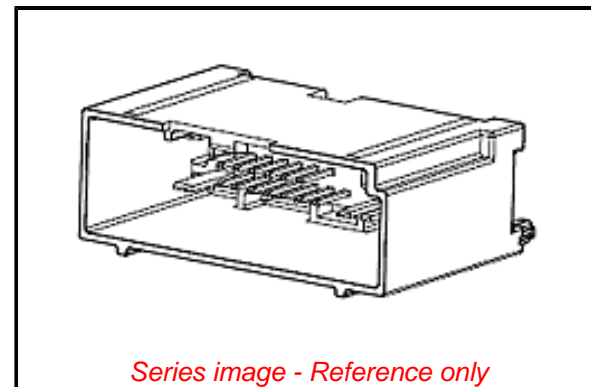
Product Family PCB Headers
Series 30700
Application Automotive, Power, Wire-to-Board
Comments Polarization Option A
Overview H-DAC 64 Unsealed Connector System
Product Name H-DAC 64
Taxonomy PCB Headers and Receptacles
UPC 800754879651

Physical

Breakaway No
Circuits (Loaded) 24
Circuits (maximum) 24
Color - Resin Gray
Durability (mating cycles max) 10
First Mate / Last Break No
Glow-Wire Capable No
Guide to Mating Part No
Keying to Mating Part None
Lock to Mating Part Yes
Material - Metal Copper
Material - Plating Mating Tin
Material - Plating Termination Nickel
Material - Resin Modified Polystyrene
Net Weight 13.845/g
Number of Rows 2
Orientation Vertical
PC Tail Length 3.69mm
PCB Locator Yes
PCB Retention Yes
PCB Thickness - Recommended 1.57mm
Packaging Type Tray
Pitch - Mating Interface 2.54mm
Polarized to Mating Part Yes
Polarized to PCB Yes
Shrouded Fully
Stackable No
Surface Mount Compatible (SMC) No
Temperature Range - Operating -40° to +100°C
Termination Interface: Style Through Hole

Electrical

Current - Maximum per Contact 7.0A
Voltage - Maximum 500V DC



EU ELV

Compliant

EU RoHS

Compliant

REACH SVHC

Not Contained Per -
D(2022)4187-DC (10
June 2022)

Halogen-Free

Status

Low-Halogen

For more information, please visit [Contact US](#)

China ROHS

ELV

RoHS Phthalates

China RoHS

Green Image

Compliant

Not Contained

Search Parts in this Series

[30700 Series](#)

Mates With

H-DAC 64 Housing [307001244](#)

Solder Process Data

| | |
|--|----------|
| Duration at Max. Process Temperature (seconds) | 040 |
| Lead-free Process Capability | SMC&WAVE |
| Max. Cycles at Max. Process Temperature | 003 |
| Process Temperature max. C | 260 |

Material Info**Reference - Drawing Numbers**

| | |
|-------------------------|------------------|
| Packaging Specification | PK-30907-261-001 |
| Product Specification | PS-30700-024-001 |
| Sales Drawing | SD-30700-424-001 |

This document was generated on 10/12/2022

PLEASE CHECK WWW.MOLEX.COM FOR LATEST PART INFORMATION