

**PLEASE CHECK WWW.MOLEX.COM FOR LATEST PART INFORMATION**

**Part Number:** [0781090001](#)  
**Status:** **Active**  
**Overview:** Serial ATA Connectors  
**Description:** 1.27mm Pitch Micro Serial ATA Device Receptacle for 45.72mm HDD/SSD, Right-Angle, Surface Mount, Mid-Mount, 16 Circuits, Lead-Free

**Documents:**

<a href="#">3D Model</a>	<a href="#">Product Specification PS-78109-001-001 (PDF)</a>
<a href="#">Drawing (PDF)</a>	<a href="#">Packaging Specification PK-78109-100-001 (PDF)</a>
<a href="#">3D Model (PDF)</a>	<a href="#">RoHS Certificate of Compliance (PDF)</a>

**Agency Certification**

CSA	LR19980
UL	E29179

**General**

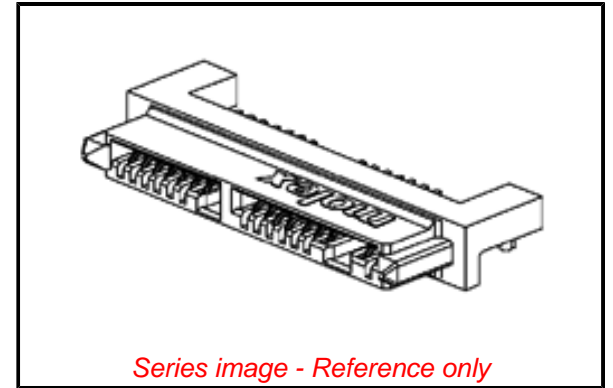
Product Family	PCB Receptacles
Series	<a href="#">78109</a>
Application	Board-to-Board, Signal
Comments	With Optional Manufacturing Pins (S1 to S7, P1 to P9)
Electrical Model	Yes
Overview	<a href="#">Serial ATA Connectors</a>
Product Name	Micro Serial ATA, Serial ATA
Taxonomy	PCB Headers and Receptacles
UPC	822350889117

**Physical**

Circuits (Loaded)	16
Circuits (maximum)	16
Color - Resin	Black
Durability (mating cycles max)	500
Flammability	94V-0
Glow-Wire Capable	No
Guide to Mating Part	Yes
Keying to Mating Part	Yes
Lock to Mating Part	Yes
Material - Metal	Copper Alloy
Material - Plating Mating	Gold
Material - Plating Termination	Tin
Material - Resin	Nylon
Net Weight	1.521/g
Number of Rows	1
Orientation	Right Angle
PCB Locator	Yes
PCB Retention	Yes
Packaging Type	Tray
Pitch - Mating Interface	1.27mm
Plating min - Mating	0.762µm
Plating min - Termination	2.540µm
Polarized to Mating Part	Yes
Polarized to PCB	Yes
Stackable	No
Temperature Range - Operating	-40° to +105°C
Termination Interface: Style	Surface Mount

**Electrical**

Current - Maximum per Contact	1.5A
-------------------------------	------



*Series image - Reference only*

**EU ELV**

**Not Relevant**

**EU RoHS**

**Compliant**

**REACH SVHC**

Not Contained Per -  
D(2022)4187-DC (10  
June 2022)

**Halogen-Free**

**Status**

**Not Low-Halogen**

For more information, please visit [Contact US](#)

China ROHS

ELV

RoHS Phthalates

**China RoHS**

Green Image

Not Relevant

Not Contained

**Search Parts in this Series**

[78109](#) Series

**Mates With**

[78103](#) , [78283](#) and [78285](#) Micro SATA  
Device Plugs

Grounding to PCB	Yes
Voltage - Maximum	30V

**Solder Process Data**

Duration at Max. Process Temperature (seconds)	010
Lead-free Process Capability	REFLOW
Max. Cycles at Max. Process Temperature	001
Process Temperature max. C	260

**Material Info****Reference - Drawing Numbers**

Electrical Model Document	EE-78109-001-001
Packaging Specification	PK-78109-100-001
Product Specification	PS-78109-001-001
S-Parameter Model	SP-78109-001-001
Sales Drawing	SD-78109-001-001

This document was generated on 09/03/2022

**PLEASE CHECK [WWW.MOLEX.COM](http://WWW.MOLEX.COM) FOR LATEST PART INFORMATION**