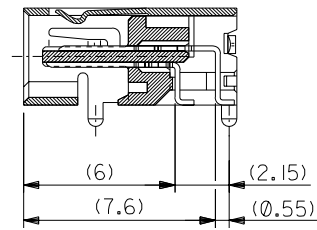
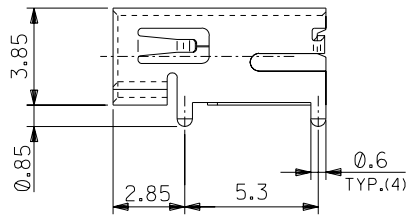
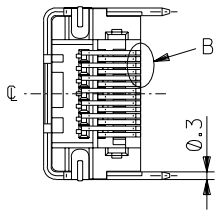
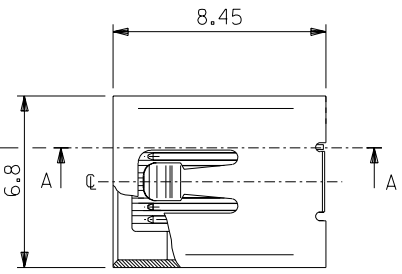
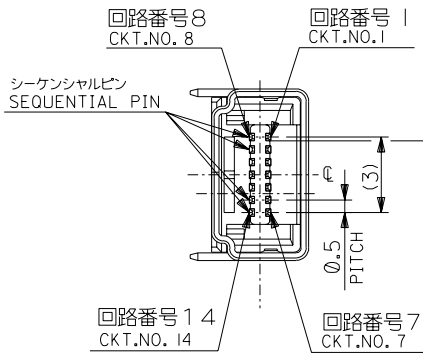


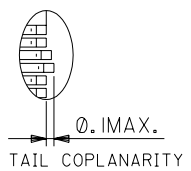
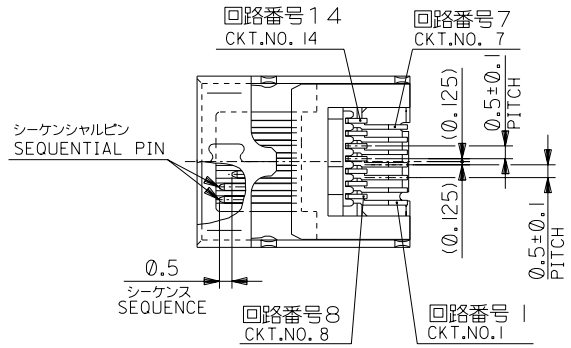
DWG. NO. SD-501091-001

NOTE:

1. 適合リセ番号: 51283-1411 (STRAIGHT TYPE)
APPLICABLE REC. NO.: 51283-1411 (STRAIGHT TYPE)
2. 材質 MATERIAL
 - 2-1. ハウジング: ガラス入り耐熱樹脂 94V-0, 黒色
HOUSING: G.F. HEAT RESISTANT PLASTIC 94V-0, BLACK COLOR
 - 2-2. ターミナル: 銅合金
TERMINAL: COPPER ALLOY
 - 2-3. プラグ シールド: ステンレス鋼
PLUG SHIELD: STAINLESS STEEL
3. メッキ仕様 PLATING
 - 3-1. ターミナル TERMINAL
 - 3-1-1. 接点部: 金メッキ 0.1umMIN.
CONTACT AREA: GOLD
: パラジウムニッケルメッキ 0.2umMIN.
PALLADIUM-NICKEL
 - 3-1-2. 半田付け部: 錫メッキ 1~3um
SOLDER TAIL AREA: Sn
 - 3-1-3. 下地メッキ: ニッケルメッキ 1.5~3um
UNDER-PLATING: NICKEL
 - 3-2. プラグ シールド PLUG SHIELD
 - 3-2-1. 表面処理: 金コーティング
SURFACE TREATMENT: GOLD COATING
 - 3-2-2. 下地メッキ: ニッケルメッキ 1.0~2um
UNDER-PLATING: NICKEL



SECTION A-A

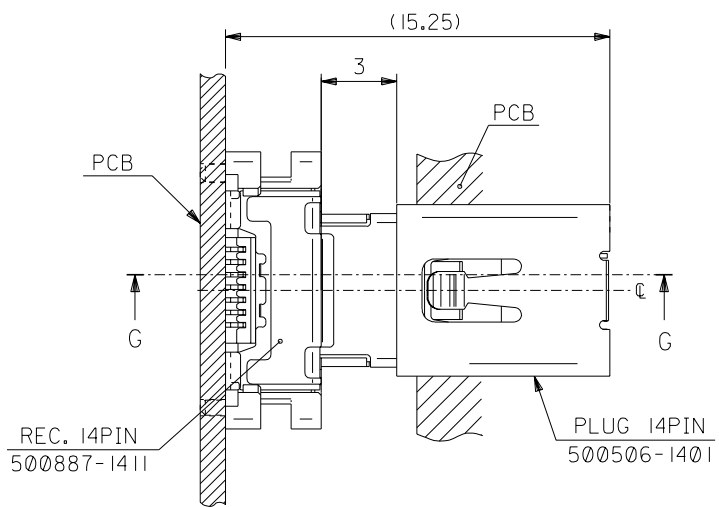


501091-1401	501091-1401
MATERIAL NO.	MODEL NO.
DIMENSIONS:	SHT REV
<input type="checkbox"/> mm <input type="checkbox"/> INCH	<input checked="" type="checkbox"/> mm ONLY
	REVISE ON CAD ONLY

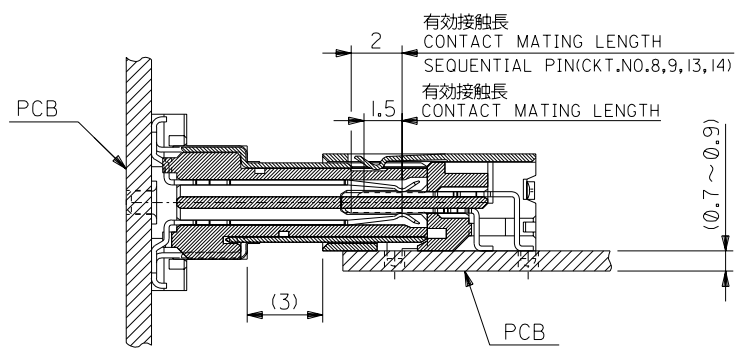
DO NOT SCALE DRAWING

EC NO. DRWN: CHK: APPR:	EC NO. DRWN: CHK: APPR:	EC NO. DRWN: CHK: APPR:	EC NO. DRWN: CHK: APPR:	EC NO. DRWN: CHK: APPR:	RELEASED EC NO. J2004-3900 DRWN: T.ODA 04/04/20 CHK: S.ICHIKAWA APPR: Y.OITO	MATERIAL 材料 # FINISH 仕上げ # WIRE RANGE 適用電線範囲 # INS. RANGE 被覆外径 #	GENERAL TOLERANCES: (UNLESS SPECIFIED) 一般公差 10 UNDER 未満 ±0.2 10 OVER 30 UNDER 未満 ±0.25 30 OVER 以上 ±0.3 ANGLE 角度 ±3°	SCALE 5-1 DESIGN UNITS <input checked="" type="checkbox"/> mm <input type="checkbox"/> INCH DRAWN BY & DATE Y.Oto 04/02/23 CHECKED BY & DATE S. Ichikawa APPROVED BY & DATE Y.Oto	THIRD ANGLE PROJECTION TITLE: 0.5 I/O CONN. PLUG HS'G ASS'Y 14CKT MOLEX MOLEX INCORPORATED	CAD FILENAME SD-501091-001.S01 MATERIAL NO. SEE CHART DRAWING NO. SD-501091-001 SHEET NO. 1 OF 2 THIS DRAWING CONTAINS INFORMATION THAT IS PROPRIETARY TO MOLEX INCORPORATED AND SHOULD NOT BE USED WITHOUT WRITTEN PERMISSION.	SIZE B
----------------------------------	----------------------------------	----------------------------------	----------------------------------	----------------------------------	--	---	---	---	--	---	--------

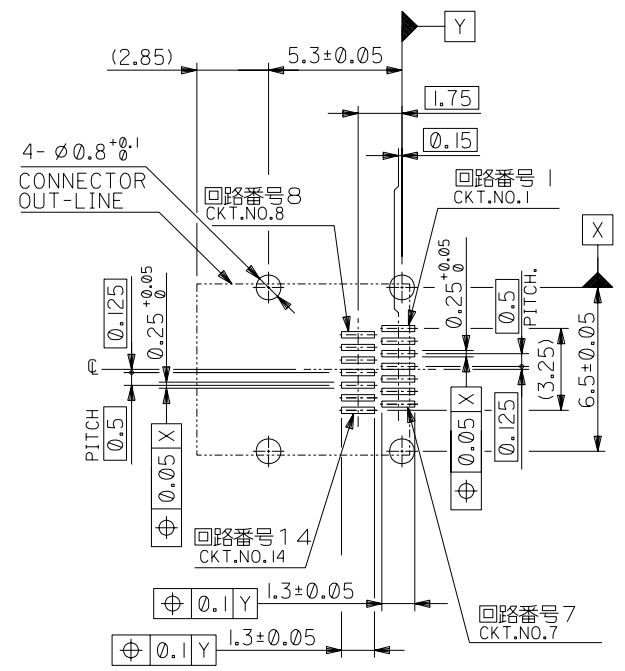
DWG. NO. SD-501091-001



嵌合図
MATED CONNECTORS



SECTION G-G

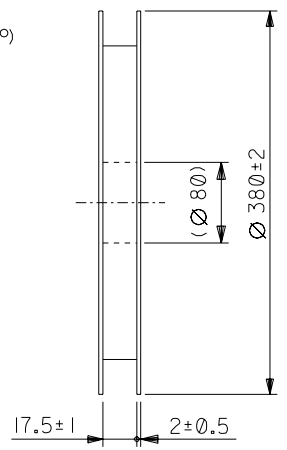
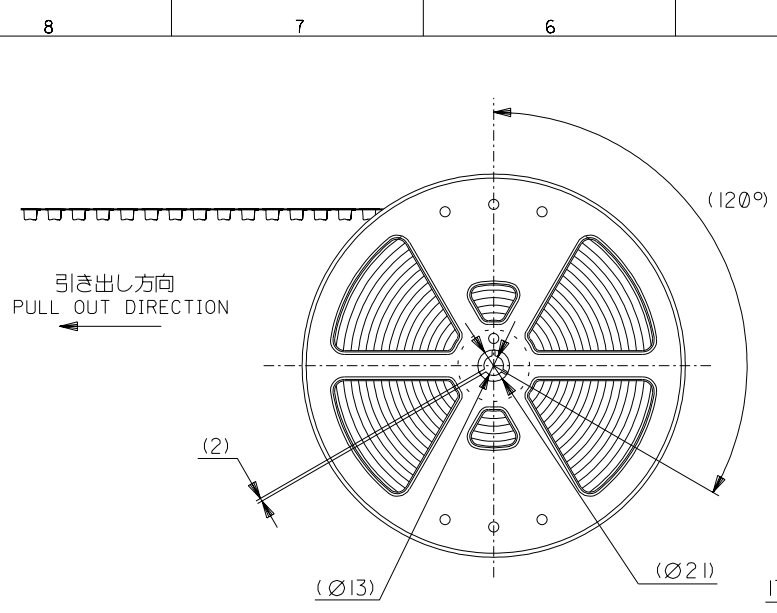


基板穴推奨寸法 (部品実装側)
RECOMMENDED P.C.B LAYOUT (MOUNTING SIDE)

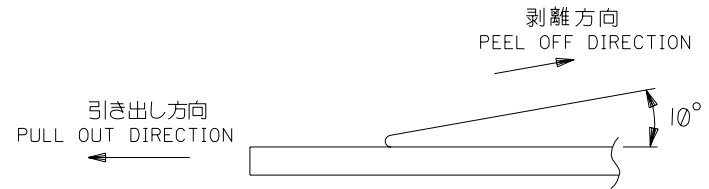
DO NOT SCALE DRAWING

EC NO. DRWN: CHK: APPR:		EC NO. DRWN: CHK: APPR:		EC NO. DRWN: CHK: APPR:		EC NO. DRWN: CHK: APPR:		EC NO. DRWN: CHK: APPR:		EC NO. DRWN: CHK: APPR:		DESCRIPTION 材料	GENERAL TOLERANCES: (UNLESS SPECIFIED) 一般公差	SCALE 5-1 mm INCH	DESIGN UNITS mm INCH	THIRD ANGLE PROJECTION	DIMENSIONS: <input type="checkbox"/> mm <input type="checkbox"/> INCH <input checked="" type="checkbox"/> mm ONLY	SHT	REV																					
10 UNDER 未滿		±0.2		DRAWN BY & DATE S. Ichikawa 04/02/23		TITLE: 0.5 I/O CONN. PLUG HS'G ASS'Y . 14CKT																																		
10 OVER 以上		30 UNDER 未滿		±0.25		CHECKED BY & DATE S. Ichikawa		APPROVED BY & DATE S. Ichikawa		MATERIAL NO.		DRAWING NO.		SHEET NO.																										
30 OVER 以上		±0.3		ANGLE 角度		±3°		CAD FILENAME SD-501091-001.S02		SEE CHART		SD-501091-001		2																										
REV													INS. RANGE 被覆外径													THIS DRAWING CONTAINS INFORMATION THAT IS PROPRIETARY TO MOLEX INCORPORATED AND SHOULD NOT BE USED WITHOUT WRITTEN PERMISSION.													SIZE B	

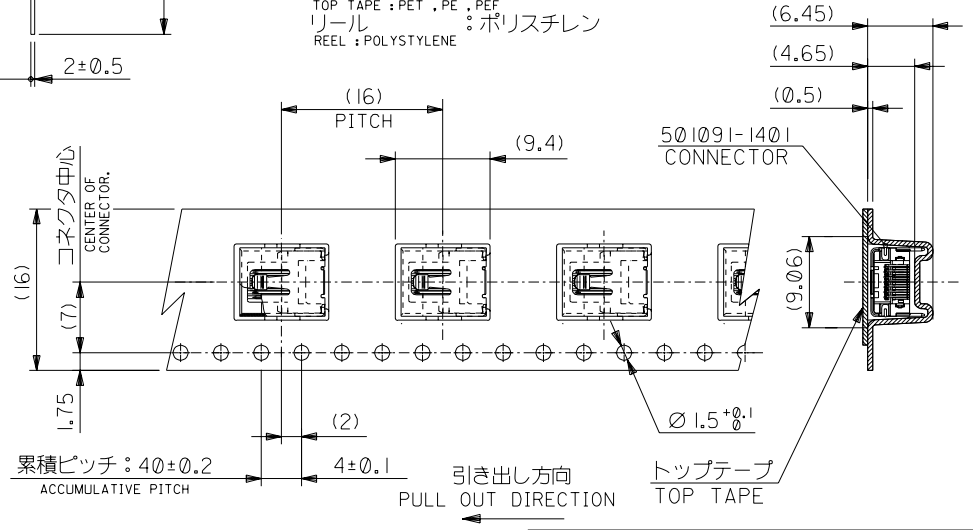
DWG. NO. SD-501091-002



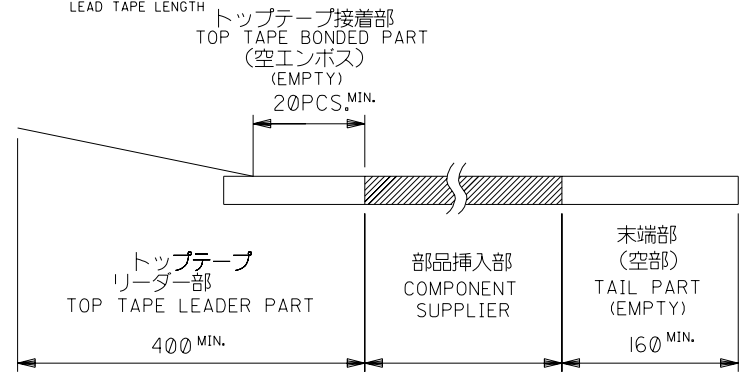
4. トップテープの剥離強度：(剥離方向は下図参照)
 PEELING OFF FORCE OF TOP TAPE (PEELING DIRECTION AS SHOWN IN FOLLOWING FIG.)
 0.1~0.7N (10.2~71.4gf)
 尚、本規格値は、出荷時に適用。
 (但し、輸送時に剥離が発生しない事。)
 THIS REQUIREMENT SHOULD BE APPLIED AT SHIPMENT
 (PEEL OFF SHOULD NOT BE ALLOWED, DURING TRANSPORTATION)



5. 材料
 MATERIAL
 キャリアテープ：ポリプロピレン (PP)
 CARRIER TAPE：POLYPROPYLENE (PP)
 トップテープ：PET, PE, PEF
 TOP TAPE：PET, PE, PEF
 リール：ポリスチレン
 REEL：POLYSTYRENE



注記
 NOTES
 1. 製品番号500506-1411の詳細寸法については、SD-501091-001を参照下さい。
 IN THE PACKAGE, PART NO. 500506-1411 RE DETAILED DIMENSIONS, SEE SD-501091-001
 2. 梱包数量：900個/リール
 NUMBER OF CONNECTORS：900 PCS/REEL
 3. リードテープ長さ
 LEAD TAPE LENGTH



14	501091-1401	501091-1470	501091-***7
CKT.	CONNECTOR	MATERIAL NO.	MODEL NO.
DIMENSIONS:		SHT	REV
<input type="checkbox"/> mm	<input type="checkbox"/> INCH	<input checked="" type="checkbox"/> mm ONLY	REVISE ON CAD ONLY

DO NOT SCALE DRAWING

EC NO. DRWN: CHK: APPR:	EC NO. DRWN: CHK: APPR:	EC NO. DRWN: CHK: APPR:	EC NO. DRWN: CHK: APPR:	EC NO. DRWN: CHK: APPR:	RELEASED EC NO. J2004-3900 DRWN: T.ODA 04/04/20 CHK: S.ICHIKAWA APPR: YO.IITO	MATERIAL 材料 SEE NOTES	GENERAL TOLERANCES: (UNLESS SPECIFIED) 一般公差	SCALE —	DESIGN UNITS <input checked="" type="checkbox"/> mm <input type="checkbox"/> INCH	THIRD ANGLE PROJECTION	TITLE: EMBOSSD TAPE PACKAGE FOR 501091	MATERIAL NO. DRAWING NO. SD-501091-002	SEE CHART	SHEET NO. 1 OF 1		
FINISH 仕上げ	WIRE RANGE 適用電線範囲	INS. RANGE 被覆外径	10 UNDER 未滿	10 OVER 以上	30 UNDER 未滿	30 OVER 以上	±0.2	±0.25	±0.3	±3°	DRAWN BY & DATE Y. Ota '04/04/20	CHECKED BY & DATE S. Ichikawa	APPROVED BY & DATE Y. Ota	CAD FILENAME SD-501091-002.S01	THIS DRAWING CONTAINS INFORMATION THAT IS PROPRIETARY TO MOLEX INCORPORATED AND SHOULD NOT BE USED WITHOUT WRITTEN PERMISSION.	SIZE B