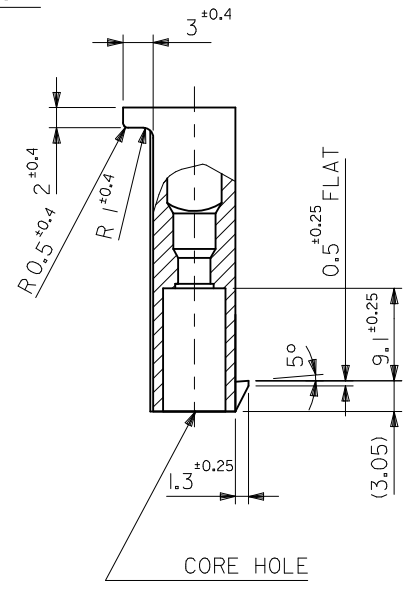
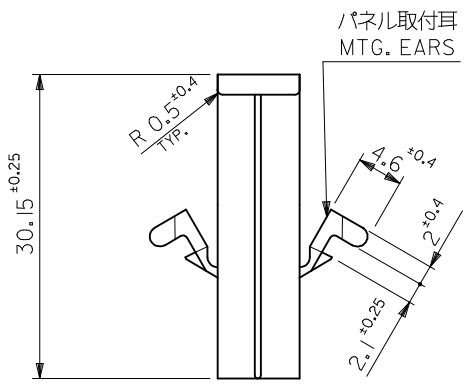
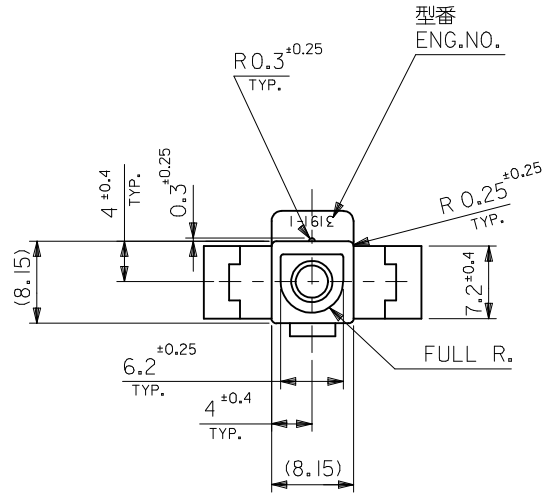


パネル取付穴推奨寸法 (厚さ 2.0 最大)
ハウジングの装着はパネル穴打抜き方向より行うこと
RECOMMENDED PANEL HOLE DIMENSION (THK. 2.0 MAX.)
ATTACH THE HOUSING FROM THE DIRECTION OF
PANEL HOLE PUNCHED OUT

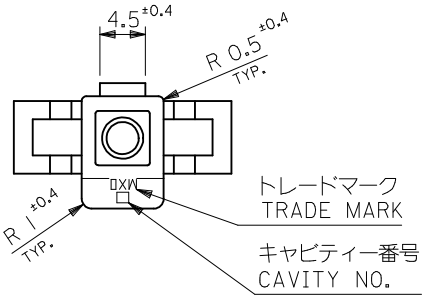


注記
NOTE
() 内寸法は参考値
DIMENSIONS IN () ARE REFERENCE

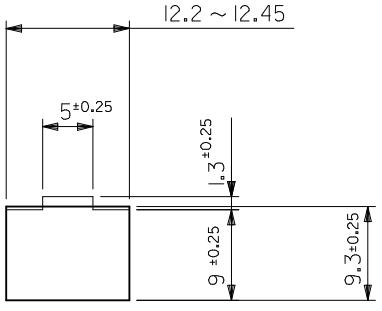


青 BLUE	39-01-8019	3191-01P-BU	NYLON66	94V-2
赤 RED	39-01-9010	3191-01P-RE		
自然色 NATURAL	39-03-6010	3191-01P		
COLOR	POLYBAG PACKAGE	モデル番号 MODEL No.	材質 MATERIAL	UL
	オーダー番号 ORDER NO.			

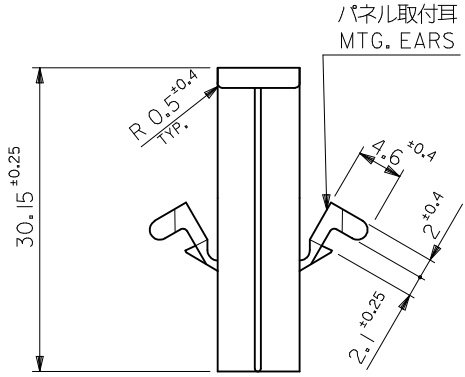
REVISED EC NO: J2013-0829 DRWN: KASHIO 2013/01/28 CHKD: KASAKAWA 2013/01/31 APPR: Y0110 2013/04/16	DESCRIPTION	GENERAL TOLERANCES (UNLESS SPECIFIED)		DIMENSION STYLE MM ONLY		SCALE 2:1	DESIGN UNITS METRIC	THIRD ANGLE PROJECTION
		10 UNDER	±---	DRAWN BY M. NABEI	DATE '07/05/10	TITLE 1 CKT. PLUG HS'G (.093 DIA. TERMINAL)		
		10 OVER 30 UNDER	±---	CHECKED BY Y. MAEDA	DATE '07/05/10			
		30 OVER	±---	APPROVED BY N. UKITA	DATE '07/05/10			
REV		ANGULAR ±---°	DRAFT WHERE APPLICABLE MUST REMAIN WITHIN DIMENSIONS	MATERIAL NO. SEE TABLE	DOCUMENT NO. SD-3191-001	SHEET NO. 1 OF 1		
		SIZE A3	THIS DRAWING CONTAINS INFORMATION THAT IS PROPRIETARY TO MOLEX INCORPORATED AND SHOULD NOT BE USED WITHOUT WRITTEN PERMISSION					



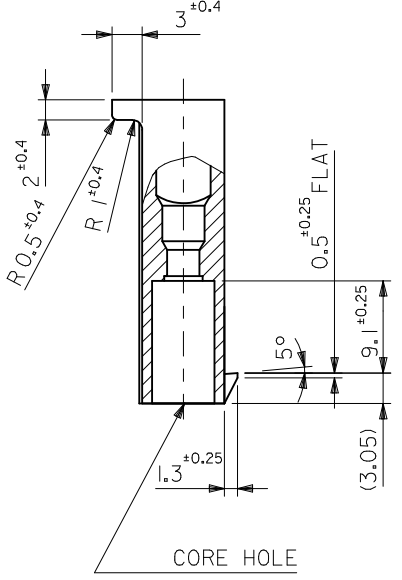
トレードマーク
TRADE MARK
キャビティー番号
CAVITY NO.



パネル取付穴推奨寸法 (厚さ 2.0 最大)
ハウジングの装着はパネル穴打抜き方向より行うこと
RECOMMENDED PANEL HOLE DIMENSION (THK. 2.0 MAX.)
ATTACH THE HOUSING FROM THE DIRECTION OF
PANEL HOLE PUNCHED OUT

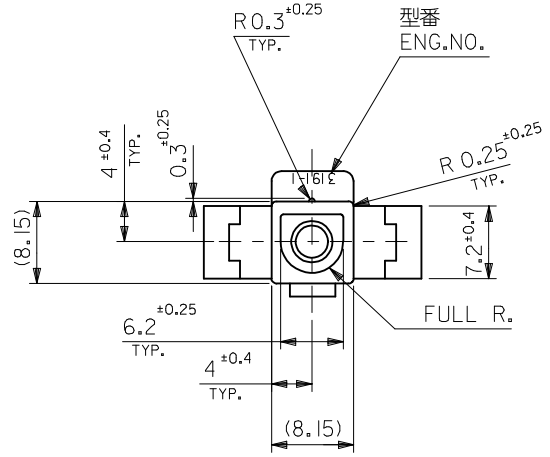


パネル取付耳
MTG. EARS



CORE HOLE

注記
NOTE
() 内寸法は参考値
DIMENSIONS IN () ARE REFERENCE



型番
ENG. NO.

FULL R.

39-03-6011	3191-01P-201	NYLON66	94V-0
39-03-6010	3191-01P	NYLON66	94V-2
POLYBAG PACKAGE	モデル番号 MODEL No.	材質 MATERIAL	UL
オーダー番号 ORDER NO.			

REVISED EC NO.: J2013-0829 DRWN: KWASHIO 2013/01/31 CHKD: KASAKAWA 2013/01/31 APPR: Y01TO 2013/04/16	GENERAL TOLERANCES (UNLESS SPECIFIED)		DIMENSION STYLE	SCALE	DESIGN UNITS	THIRD ANGLE PROJECTION
			MM ONLY	2:1	METRIC	
	10 UNDER	± ---	DRAWN BY	DATE	TITLE	
	10 OVER 30 UNDER	± ---	H. IJIMA	'96/06/21	1CKT. PLUG HS'G (.093 DIA. TERMINAL)	
30 OVER	± ---	CHECKED BY	DATE			
		M. FUKUSHIMA	'96/06/21			
		APPROVED BY	DATE			
		M. ENOMOTO	'96/06/21			
	ANGULAR ± --- °	MATERIAL NO.		DOCUMENT NO.	SHEET NO.	
	DRAFT WHERE APPLICABLE MUST REMAIN WITHIN DIMENSIONS	SEE TABLE		SD-3191-006	1 OF 1	
		SIZE	THIS DRAWING CONTAINS INFORMATION THAT IS PROPRIETARY TO MOLEX INCORPORATED AND SHOULD NOT BE USED WITHOUT WRITTEN PERMISSION			
		A3				