

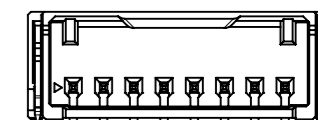
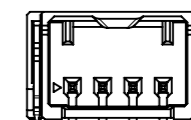
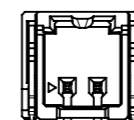
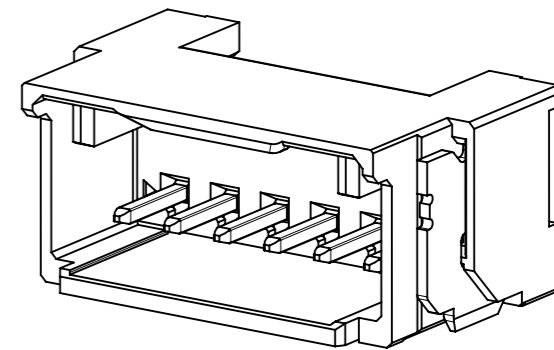
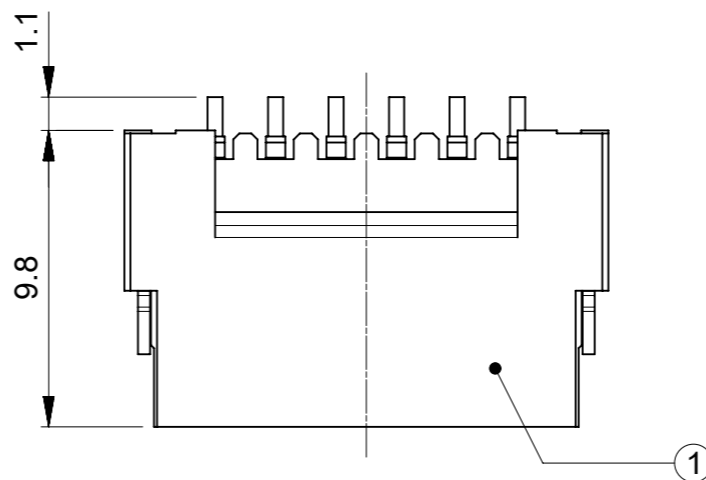
NOTES

- ① 材料及び仕上げ(めっき仕様) : TABLE 1 参照
MATERIAL AND FINISHES : SEE TABLE 1
- 2. 製品仕様書 : 2059790000-PS 000
PRODUCT SPECIFICATION:2059790000-PS 000
- 3. 梱包形態 : SHEET 4 参照
PACKAGING INFORMATION : SEE SHEET 4
- ④ 嵌合相手 : 205979(ISLタイプ)
MATES WITH:205979(ISL TYPE)
- 5. アプリケーション仕様書(コネクタ取扱い説明書) :
2059790000-AS 000
APPLICATION SPECIFICATION(CONNECTOR MANUAL):
2059790000-AS 000
- 6. 端子テール部及びネイルの平坦度:0.1mm以下。
TAIL AND NAIL COPLANARITY TO BE 0.1mm MAX.
- ⑦ 極数/2 = 偶数に適応
APPLY FOR CIRCUIT SIZE / 2 =EVEN
- 8. 端子テール部及びネイルに錫ビスマスめっきを使用している為、
外観に摺動痕が付く場合があります。
THE WOUND OF FRICTION MIGHT ADHERE TO EXTERNALS
BECAUSE THE TIN BISMUTH PLATING IS USED FOR THE TAIL AND NAIL.
- 9. 本製品のプラスチック部に黒点・白点等が確認される場合や
色合いが異なる場合がありますが、製品性能に影響はありません。
THERE IS NO INFLUENCE IN THE PRODUCT
PERFORMANCE THOUGH THE BLACK AND WHITE SPOT ETC.
MIGHT BE CONFIRMED TO THE PLASTIC PART OF
THIS PRODUCT AND THE SHADE MIGHT BE DIFFERENT.
- 10. この製品は205972のGlow Wire適合バージョンです。
THIS PRODUCT IS A GLOW WIRE COMPLIANT VERSION OF 205972.
- ⑪ ISLタイプを嵌合する場合、ヘッダーコネクタは基板端面から
1.0mm以下の位置に実装すること。
WHEN MATING THE ISL TYPE, HEADER CONNECTOR OUTLINE
MUST BE MOUNTED 1.0mm MAX. FROM THE PCB EDGE.

① TABLE 1

番号 No.	部品 PART	材質 MATERIAL
①	ハウジング HOUSING	ポリアミド(PA),UL94V-0, 色 : SEE CHART POLYAMIDE(PA), UL94V-0, COLOR : SEE CHART
②	ターミナル TERMINAL	黄銅 BRASS
		錫ビスマスめっき : 1.0micro-meter MIN. TIN BISMUTH PLATING(TAIL AREA,CONTACT AREA) ニッケルめっき(下地):1.0 micro-meter MIN. NICKEL(UNDER PLATING)
③	ネイル NAIL	黄銅 BRASS
		錫めっき : 1.0micro-meter MIN. MATTE TIN PLATING ニッケルめっき(下地):1.0 micro-meter MIN. NICKEL(UNDER PLATING)

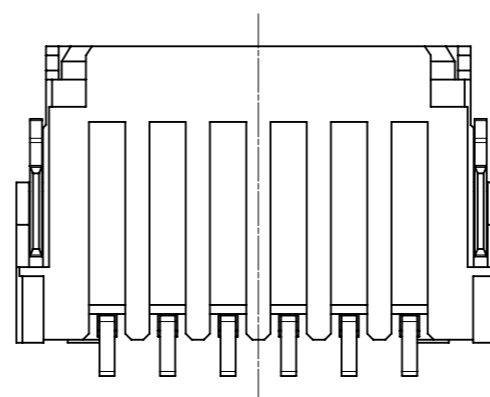
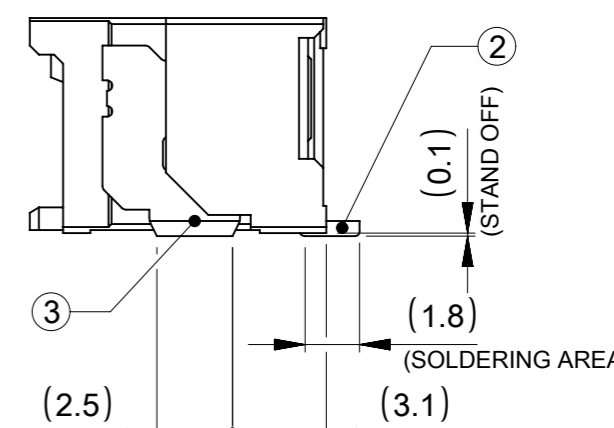
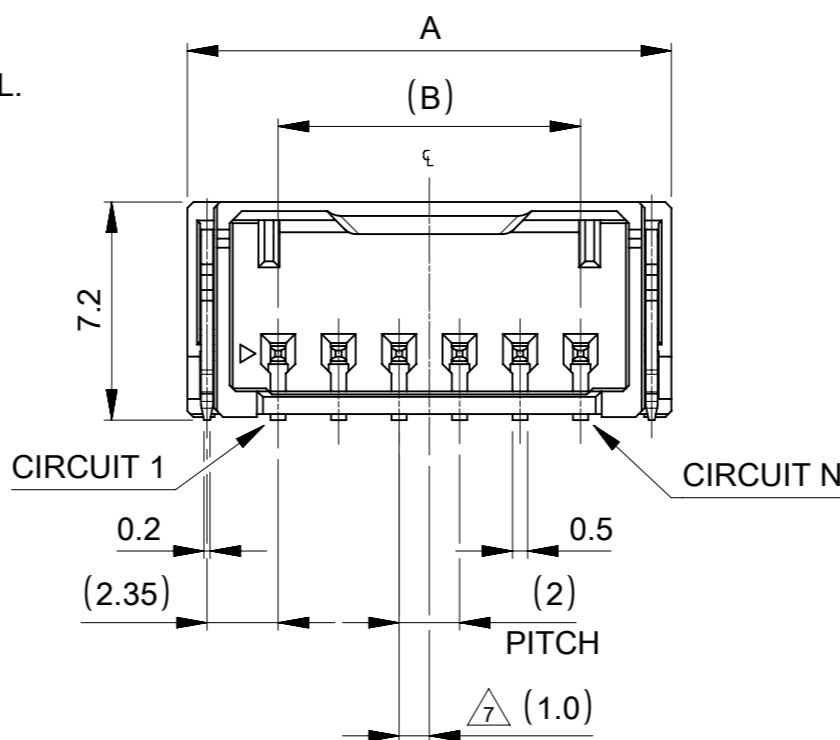
DOCUMENT STATUS P1 RELEASE DATE 2021/02/09 08:42:19



VIEW OF 2 CIRCUIT

VIEW OF 4 CIRCUIT

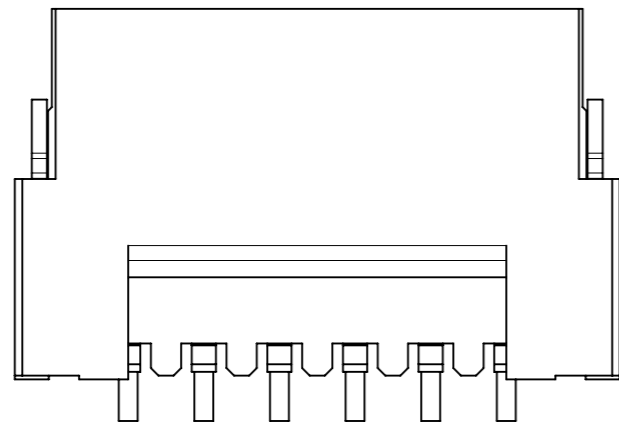
VIEW OF 8 CIRCUIT



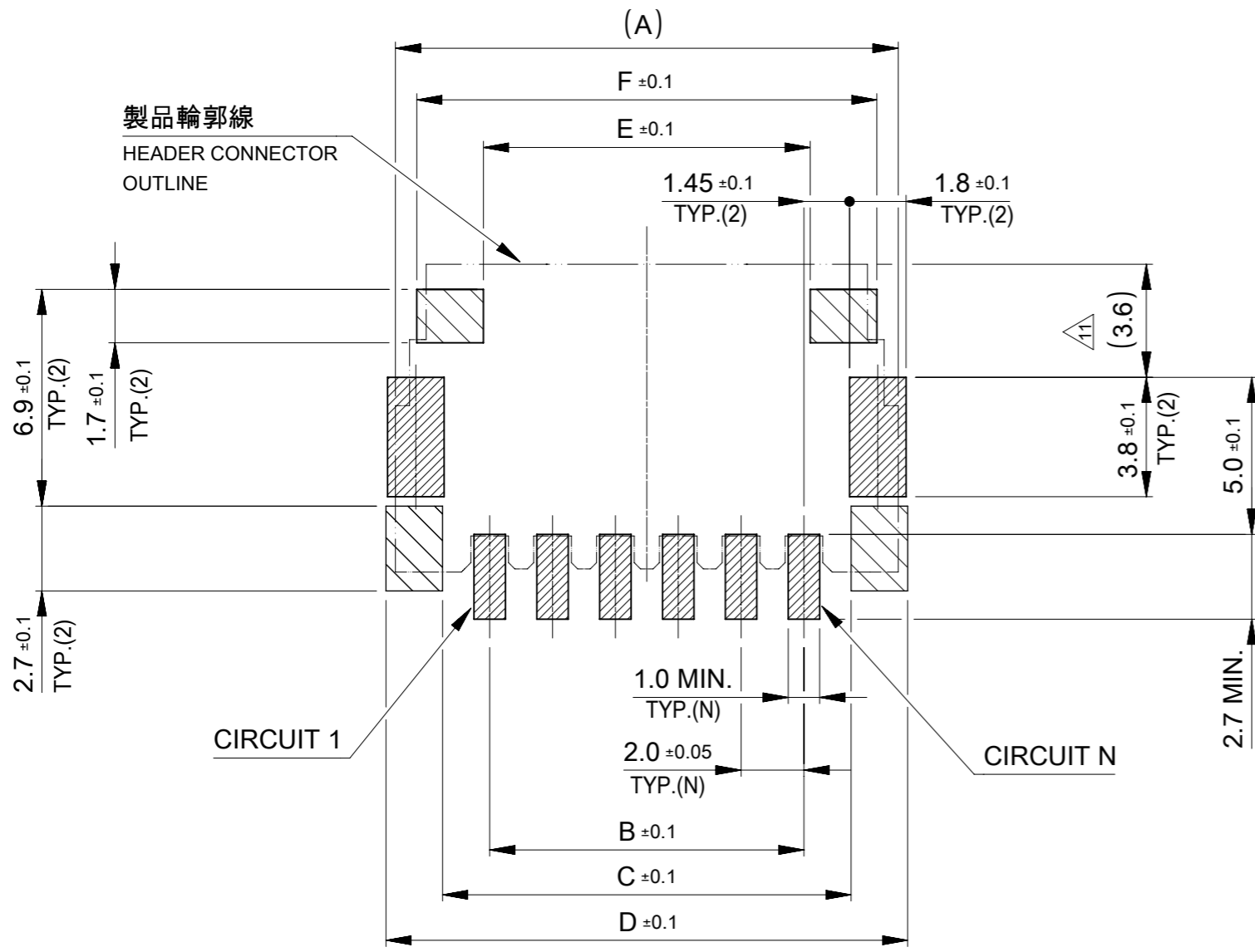
14	20	8
12	18	7
10	16	6
8	14	5
6	12	4
4	10	3
2	8	2
B	A	極数 CIRCUIT SIZE

THIS DRAWING CONTAINS INFORMATION THAT IS PROPRIETARY TO MOLEX ELECTRONIC TECHNOLOGIES, LLC AND SHOULD NOT BE USED WITHOUT WRITTEN PERMISSION

DIMENSION UNITS	SCALE	CURRENT REV DESC:		molex		
mm	NTS					
GENERAL TOLERANCES (UNLESS SPECIFIED)				MICRO-ONE 2.0W/B GW-TYPE HEADER ASSEMBLY RIGTH ANGLE		
ANGULAR TOL ± 3.0 °						
4 PLACES	± 0.2	EC NO: 655177	2020/12/16	PRODUCT CUSTOMER DRAWING		
3 PLACES	± 0.2	DRWN: KYAMADA02	2021/02/09			
2 PLACES	± 0.2	CHK'D: AIDA	2021/02/09	DOCUMENT NUMBER 2170640000-SD DOC TYPE PSD DOC PART 000 REVISION B		
1 PLACE	± 0.2	APPR: SAKIYAMA	2021/02/09			
0 PLACES	± 0.2	INITIAL REVISION:		MATERIAL NUMBER 217064 CUSTOMER GENERAL SHEET NUMBER 1 OF 5		
DRAFT WHERE APPLICABLE MUST REMAIN WITHIN DIMENSIONS		DRWN: KYAMADA02	2020/12/04			
THIRD ANGLE PROJECTION		APPR: SAKIYAMA	2020/12/15			
DRAWING A3-SIZE		SERIES 217064				

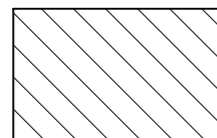


製品レイアウト
PRODUCT LAYOUT

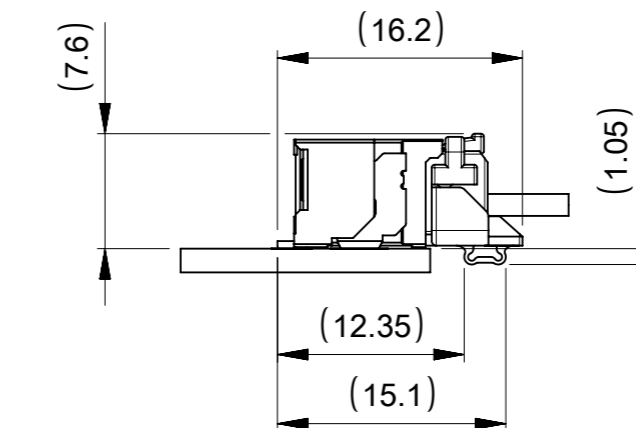
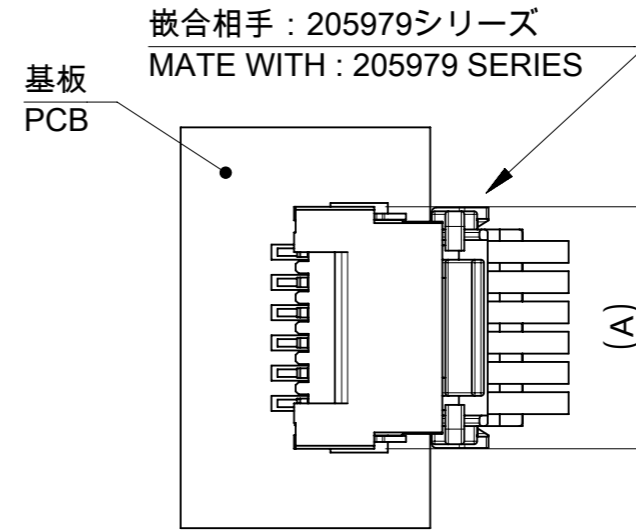


推奨基板レイアウト:実装面側

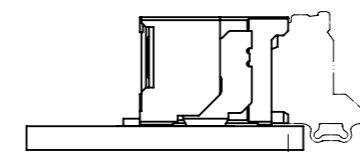
(参考: 基板厚1.6mm, メタルマスク厚0.15mm, マスク開口率100%)
SUGGESTED PCB LAYOUT : COMPONENT SIDE
(REFERENCE: PCB THICKNESS 1.6mm, STENCIL THICKNESS 0.15mm, APERTURE RATIO 100%)



:パターン禁止エリア
RESTRICTED AREA
NO PCB COMPONENTS ALLOWED



ISLタイプ嵌合図
MATED CONNECTORS OF ISL TYPE



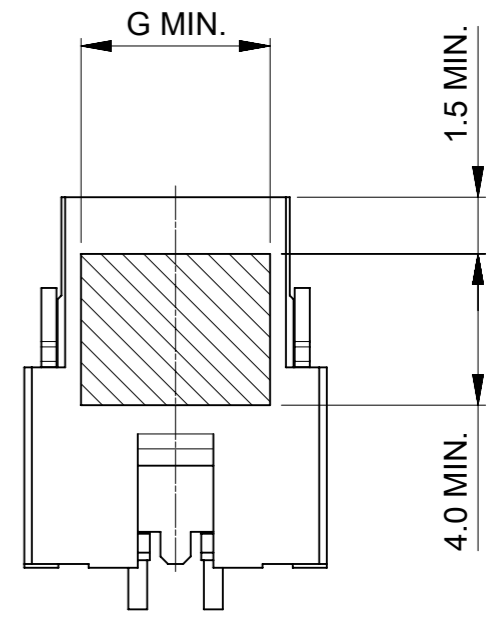
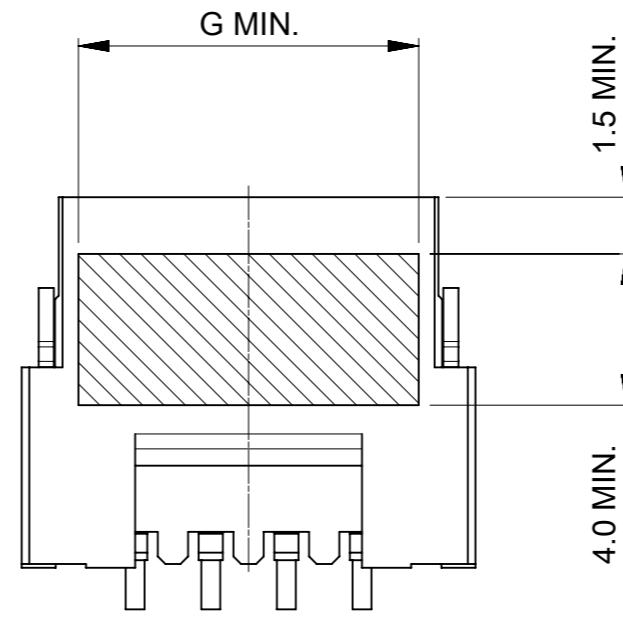
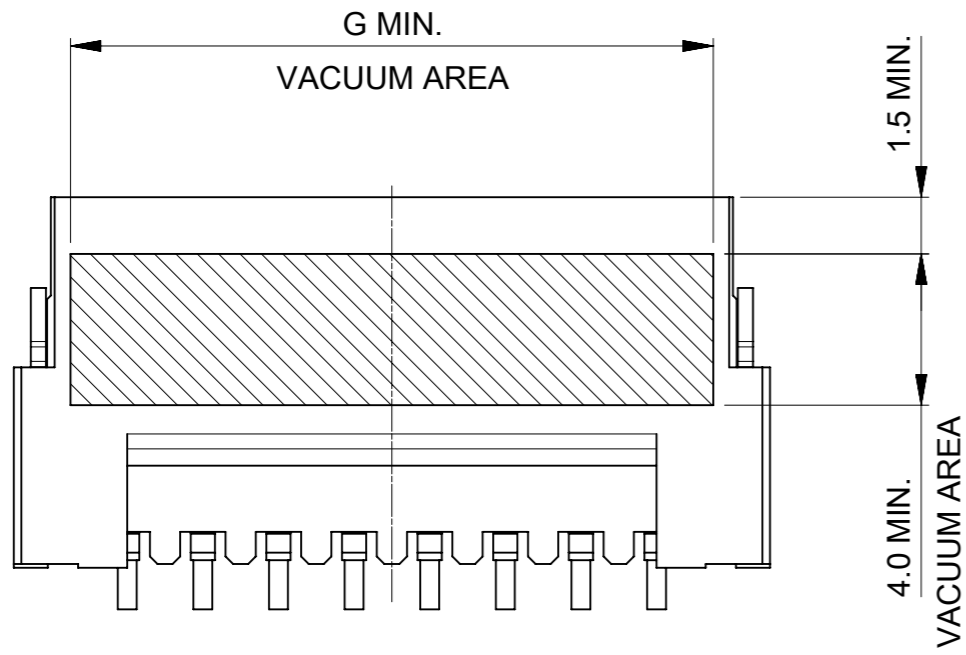
1.0 MAX.
HEADER CONNECTOR OUTLINE
FROM THE PCB EDGE.

ISLタイプ基板レイアウトの注意点
PCB LAYOUT PRECAUTIONS FOR ISL TYPE

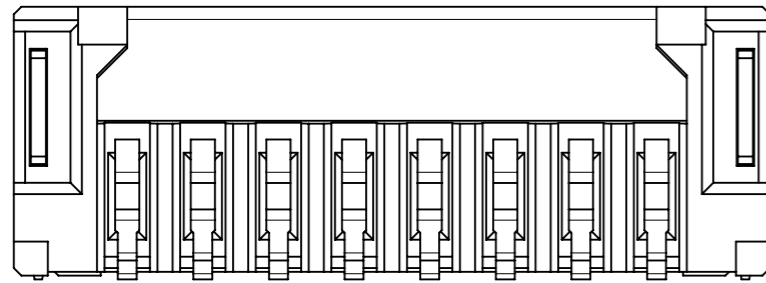
18.6	14.4	20.6	17.0	8
16.6	12.4	18.6	15.0	7
14.6	10.4	16.6	13.0	6
12.6	8.4	14.6	11.0	5
10.6	6.4	12.6	9.0	4
8.6	4.4	10.6	7.0	3
6.6	2.4	8.6	5.0	2
F	E	D	C	極数 CIRCUIT SIZE

THIS DRAWING CONTAINS INFORMATION THAT IS PROPRIETARY TO MOLEX ELECTRONIC TECHNOLOGIES, LLC AND SHOULD NOT BE USED WITHOUT WRITTEN PERMISSION		CURRENT REV DESC:		molex	
DIMENSION UNITS	SCALE				
mm	NTS			MICRO-ONE 2.0W/B GW-TYPE HEADER ASSEMBLY RIGTH ANGLE	
GENERAL TOLERANCES (UNLESS SPECIFIED)				PRODUCT CUSTOMER DRAWING	
ANGULAR TOL ± 3.0 °				DOCUMENT NUMBER	
4 PLACES	± 0.2	EC NO: 655177	2020/12/16	2170640000-SD	
3 PLACES	± 0.2	DRWN: KYAMADA02	2021/02/09	DOC TYPE	DOC PART
2 PLACES	± 0.2	CHK'D: AIDA	2021/02/09	PSD	000
1 PLACE	± 0.2	APPR: SAKIYAMA		REVISION	B
0 PLACES	± 0.2	INITIAL REVISION:			
DRAFT WHERE APPLICABLE MUST REMAIN WITHIN DIMENSIONS		DRWN: KYAMADA02	2020/12/04		
THIRD ANGLE PROJECTION		APPR: SAKIYAMA	2020/12/15		
DRAWING		SERIES	MATERIAL NUMBER	CUSTOMER	
A3-SIZE		217064	SEE TABLE	GENERAL	
SHEET NUMBER		2 OF 5			

VACUUM AREA

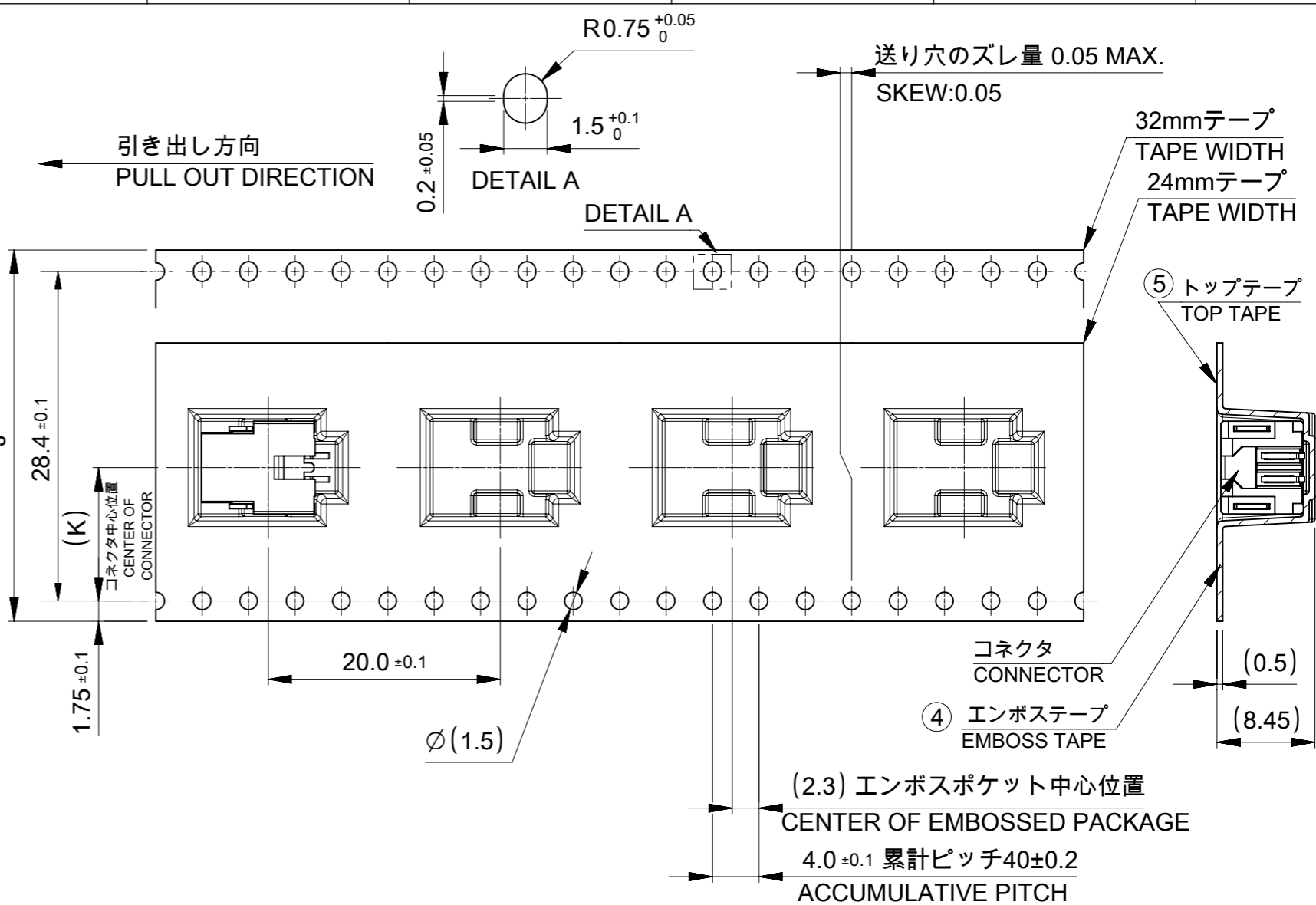
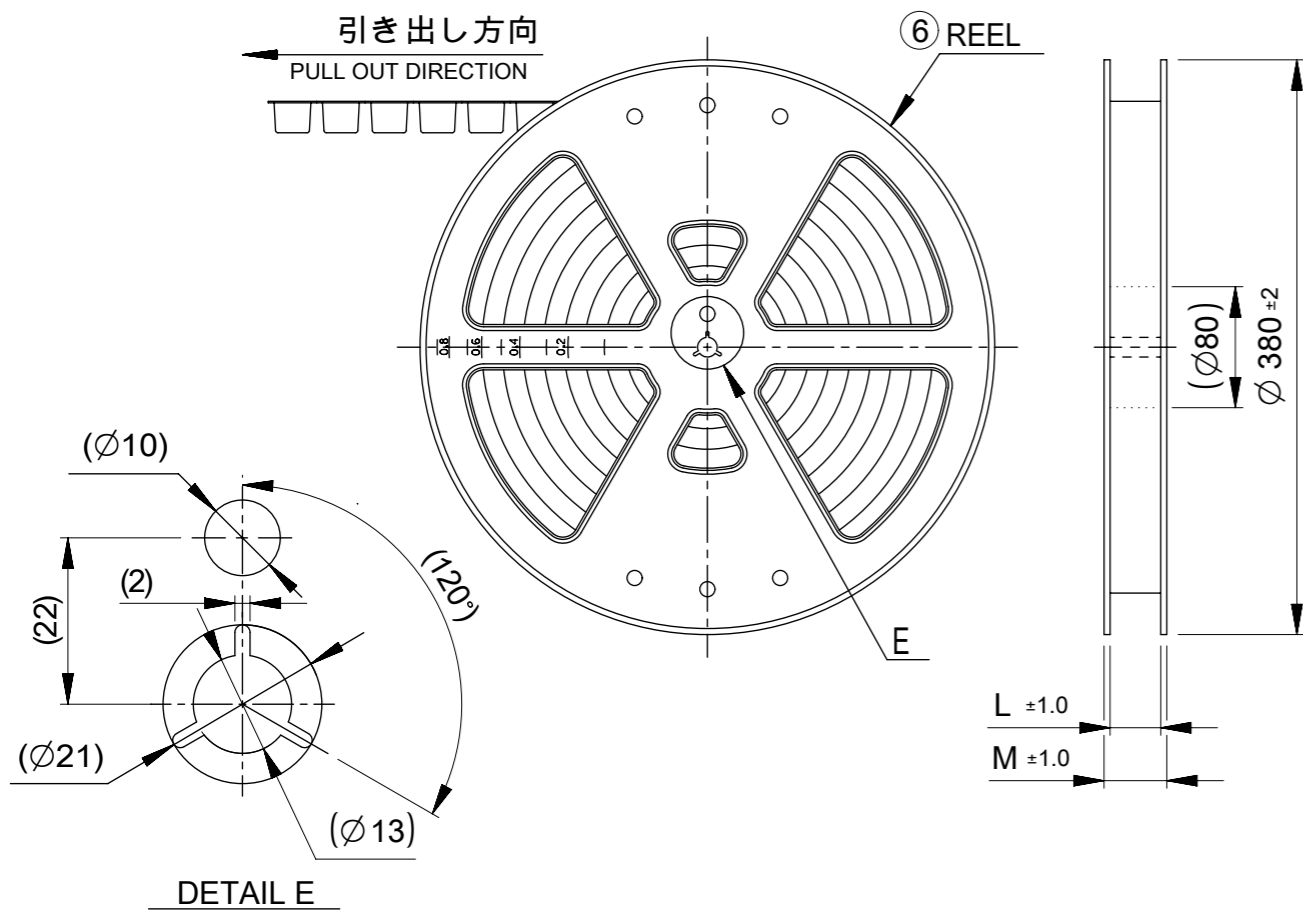


吸着面
VACUUM AREA



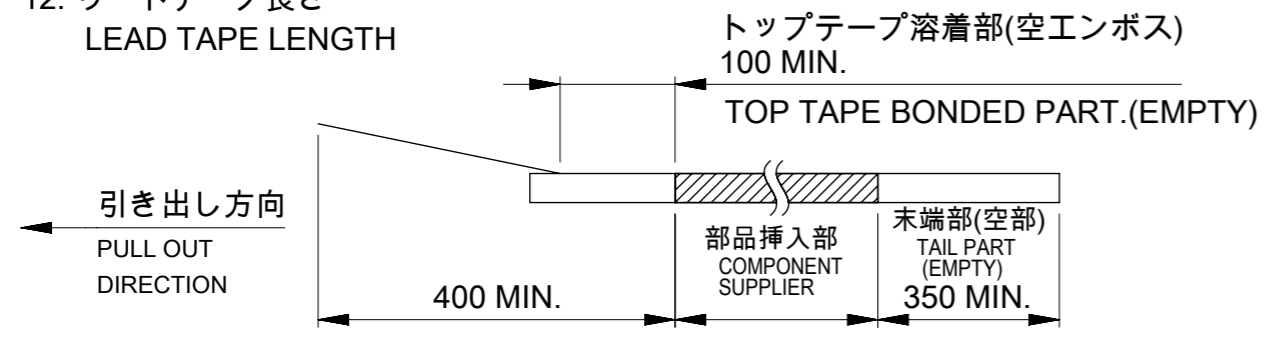
17.0	8
15.0	7
13.0	6
11.0	5
9.0	4
7.0	3
5.0	2
G	極数 CURCUIT SIZE

THIS DRAWING CONTAINS INFORMATION THAT IS PROPRIETARY TO MOLEX ELECTRONIC TECHNOLOGIES, LLC AND SHOULD NOT BE USED WITHOUT WRITTEN PERMISSION									
DIMENSION UNITS mm		SCALE NTS		CURRENT REV DESC:				molex	
GENERAL TOLERANCES (UNLESS SPECIFIED)		ANGULAR TOL ± 3.0 °		EC NO: 655177					
4 PLACES ± 0.2		3 PLACES ± 0.2		DRWN: KYAMADA02		2020/12/16		MICRO-ONE 2.0W/B GW-TYPE HEADER ASSEMBLY RIGTH ANGLE	
2 PLACES ± 0.2		1 PLACE ± 0.2		CHK'D: AIDA		2021/02/09		PRODUCT CUSTOMER DRAWING	
0 PLACES ± 0.2		DRAFT WHERE APPLICABLE MUST REMAIN WITHIN DIMENSIONS		THIRD ANGLE PROJECTION		DRAWING A3-SIZE		SERIES 217064	
DOCUMENT NUMBER 2170640000-SD		DOC TYPE PSD		DOC PART 000		REVISION B		SHEET NUMBER 3 OF 5	
MATERIAL NUMBER SEE TABLE		CUSTOMER GENERAL							



NOTES

- 11. 梱包数量 : 550個/リール
NUMBER OF CONNECTORS : 550 PIECES/REEL
- 12. リードテープ長さ
LEAD TAPE LENGTH



- 13. トップテープの剥離強度はIEC60286-3に準拠。
TOP TAPE PEELING FORCE IS DEFINED BY IEC60286-3.

△14 発注番号 : SHEET 5 参照
ORDER No. : PLEASE REFER TO SHEET 5 FOR PRODUCT LIST.

217064 0 * * *

極数
CIRCUIT SIZE

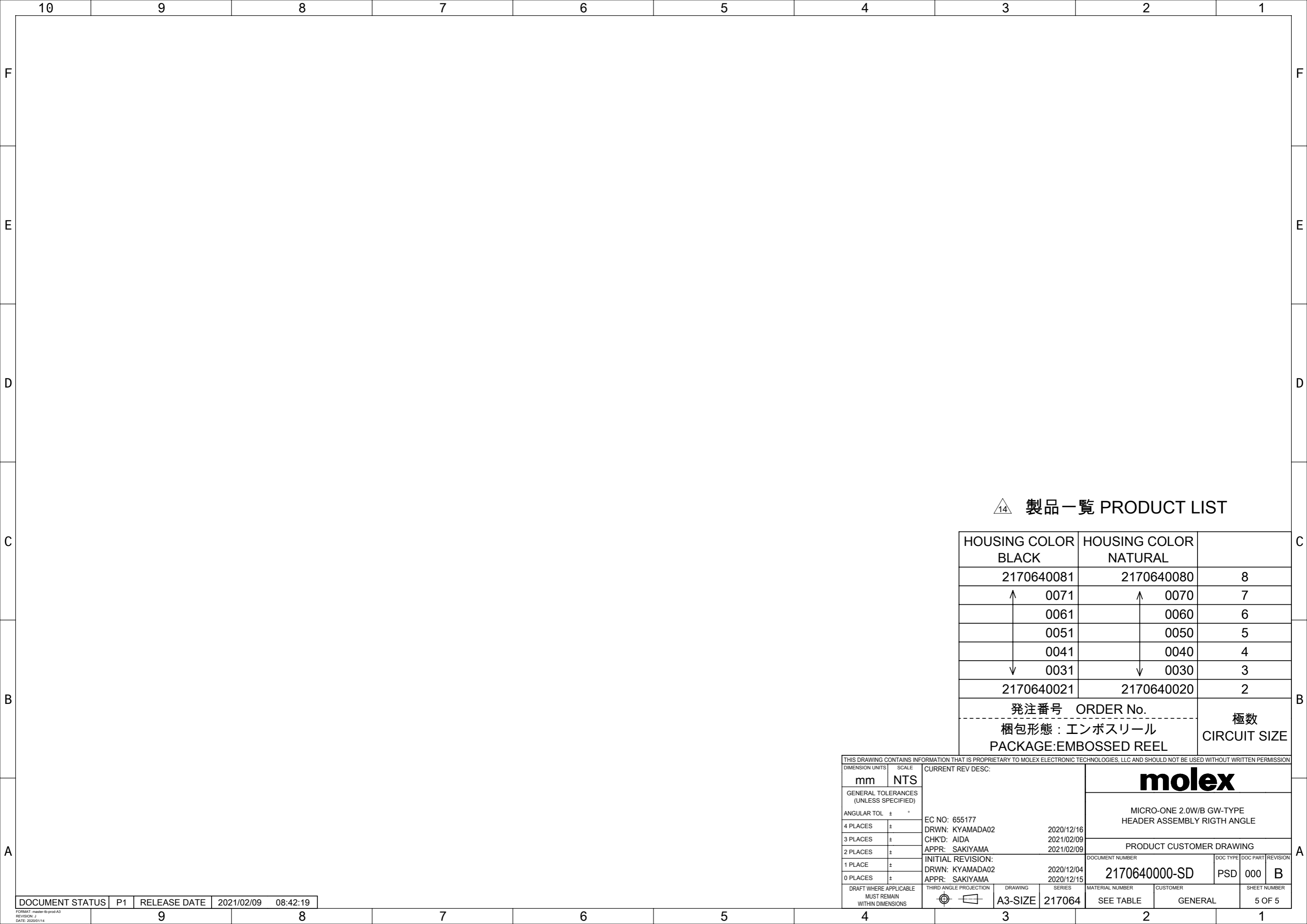
0 : COLOR NATURAL
1 : COLOR BLACK

37.5	33.5	14.2	32±0.3	8
				7
				6
29.5	25.5	11.5	24 ^{+0.3} _{-0.1}	5
				4
				3
				2
M	L	K	エンボステープ幅 J WIDTH OF TAPE	極数 CIRCUIT SIZE

番号 No.	部品 PART	材質 MATERIAL
④	エンボステープ EMBOSS TAPE	ポリスチレン(PS),その他 POLYSTYRENE(PS),etc
⑤	トップテープ TOP TAPE	ポリエチレン(PE),その他 POLYETHYLENE(PE),etc
⑥	リール REEL	ポリスチレン(PS) <リサイクル材を含む> POLYSTYRENE(PS) < RECYCLE MATERIAL CONTAINED >

THIS DRAWING CONTAINS INFORMATION THAT IS PROPRIETARY TO MOLEX ELECTRONIC TECHNOLOGIES, LLC AND SHOULD NOT BE USED WITHOUT WRITTEN PERMISSION

DIMENSION UNITS mm	SCALE NTS	CURRENT REV DESC:		molex		
GENERAL TOLERANCES (UNLESS SPECIFIED)		EC NO: 655177				
ANGULAR TOL ± 3.0 °		4 PLACES ± 0.2		PRODUCT CUSTOMER DRAWING		
3 PLACES ± 0.2		DRWN: KYAMADA02 2020/12/16		DOCUMENT NUMBER		
2 PLACES ± 0.2		CHK'D: AIDA 2021/02/09		DOC TYPE DOC PART REVISION		
1 PLACE ± 0.2		APPR: SAKIYAMA 2021/02/09		2170640000-SD PSD 000 B		
0 PLACES ± 0.2		INITIAL REVISION:		MATERIAL NUMBER		
DRAFT WHERE APPLICABLE MUST REMAIN WITHIN DIMENSIONS		DRWN: KYAMADA02 2020/12/04		CUSTOMER		
THIRD ANGLE PROJECTION		APPR: SAKIYAMA 2020/12/15		SHEET NUMBER		
DRAWING		SERIES		GENERAL		
A3-SIZE		217064		4 OF 5		



△ 14 製品一覧 PRODUCT LIST

HOUSING COLOR BLACK	HOUSING COLOR NATURAL	
2170640081	2170640080	8
↑ 0071	↑ 0070	7
0061	0060	6
0051	0050	5
0041	0040	4
↓ 0031	↓ 0030	3
2170640021	2170640020	2
発注番号 ORDER No.		極数 CIRCUIT SIZE
梱包形態：エンボスリール PACKAGE:EMBOSSED REEL		

THIS DRAWING CONTAINS INFORMATION THAT IS PROPRIETARY TO MOLEX ELECTRONIC TECHNOLOGIES, LLC AND SHOULD NOT BE USED WITHOUT WRITTEN PERMISSION											
DIMENSION UNITS	SCALE	CURRENT REV DESC:					molex				
mm	NTS										
GENERAL TOLERANCES (UNLESS SPECIFIED)							MICRO-ONE 2.0W/B GW-TYPE HEADER ASSEMBLY RIGTH ANGLE				
ANGULAR TOL	± °						PRODUCT CUSTOMER DRAWING				
4 PLACES	±	EC NO: 655177									
3 PLACES	±	DRWN: KYAMADA02			2020/12/16						
2 PLACES	±	CHK'D: AIDA			2021/02/09						
1 PLACE	±	APPR: SAKIYAMA			2021/02/09						
0 PLACES	±	INITIAL REVISION:									
DRAFT WHERE APPLICABLE MUST REMAIN WITHIN DIMENSIONS		THIRD ANGLE PROJECTION		DRAWING	SERIES	MATERIAL NUMBER	CUSTOMER	DOCUMENT NUMBER	DOC TYPE	DOC PART	REVISION
				A3-SIZE	217064	SEE TABLE	GENERAL	2170640000-SD	PSD	000	B
											SHEET NUMBER 5 OF 5

DOCUMENT STATUS	P1	RELEASE DATE	2021/02/09	08:42:19
-----------------	----	--------------	------------	----------