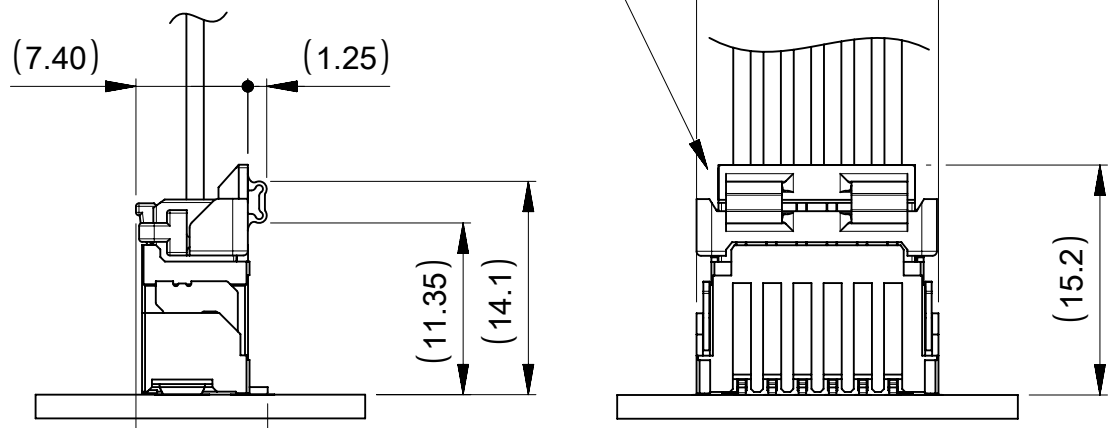
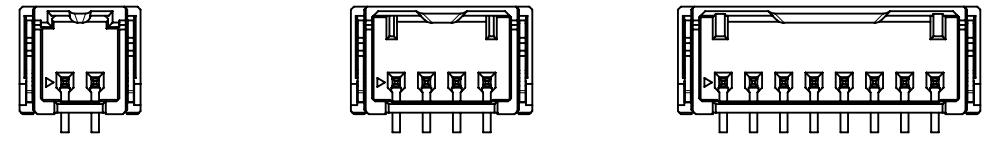


嵌合相手：205979シリーズ
MATE WITH : 205979 SERIES



△ 嵌合図
MATED CONNECTORES

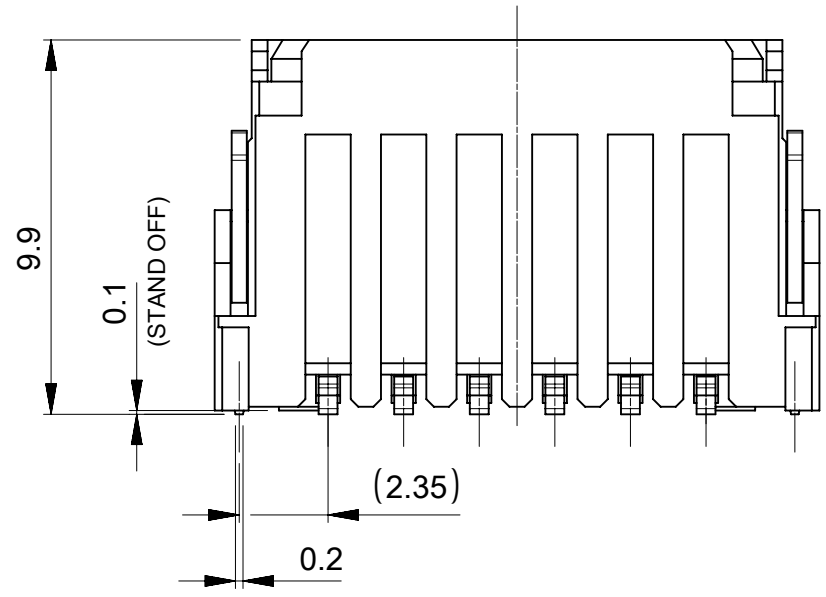
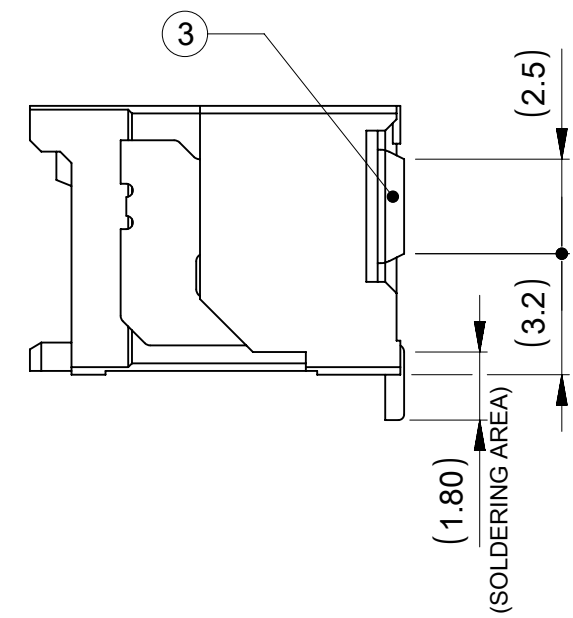
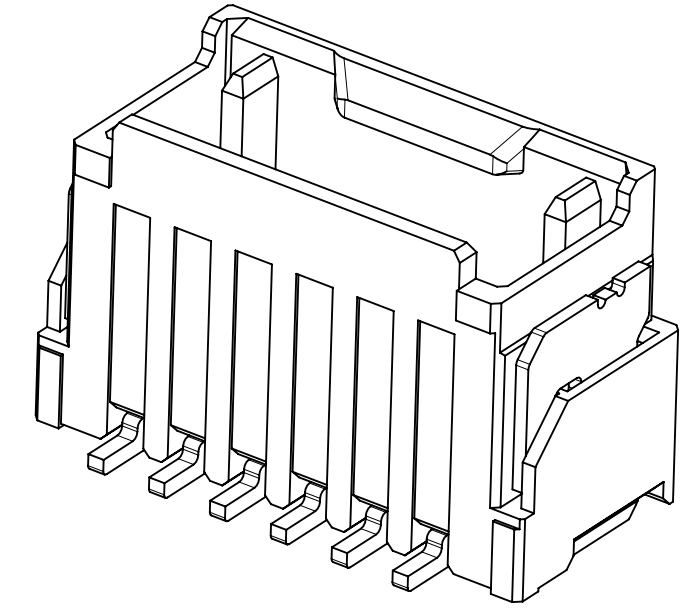
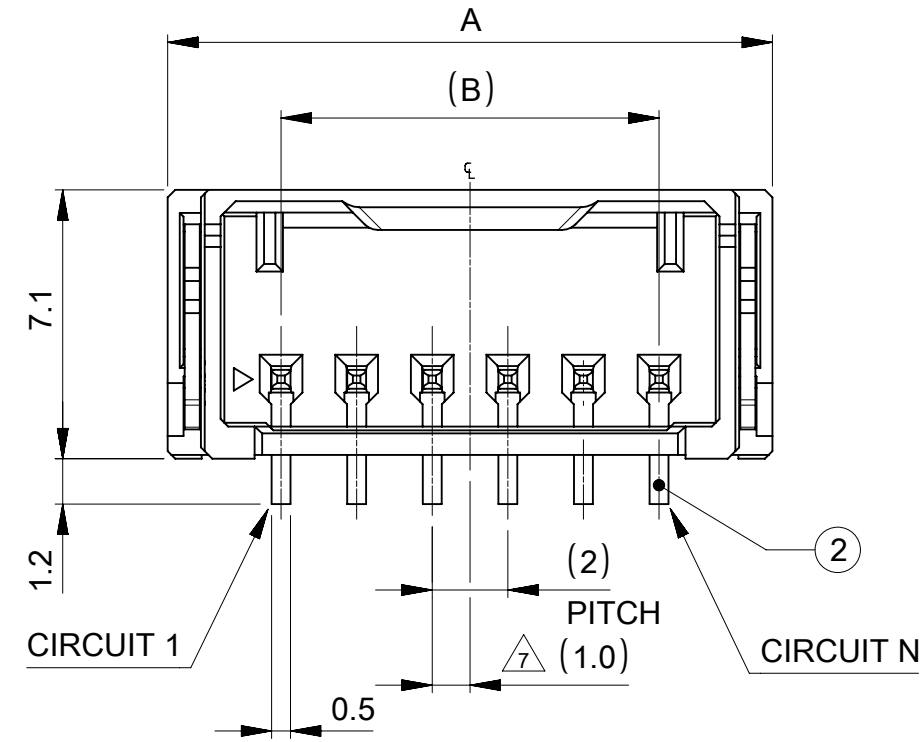
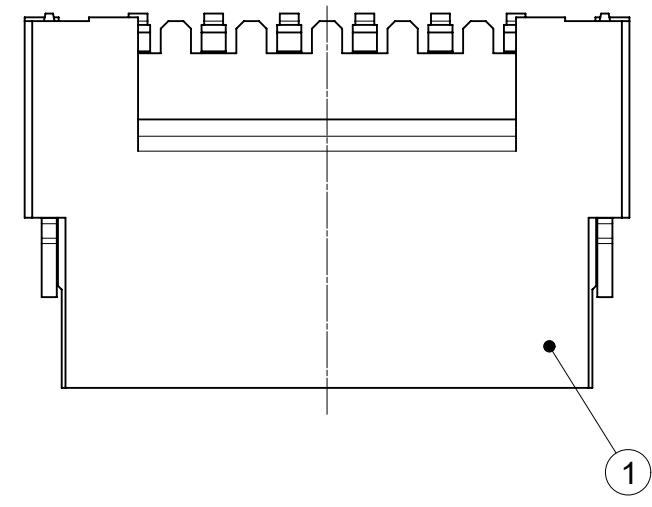


VIEW OF 2 CIRCUIT VIEW OF 4 CIRCUIT VIEW OF 8 CIRCUIT

△ TABLE 1

番号 No.	部品 PART	材質 MATERIAL
①	ハウジング HOUSING	ポリアミド(PA), UL94V-0, 色 : SEE CHART POLYAMIDE(PA), UL94V-0, COLOR : SEE CHART
②	ターミナル TERMINAL	黄銅 BRASS
		錫ビスマスめっき : 1.0 micro-meter MIN. TIN BISMUTH PLATING(TAIL AREA, CONTACT AREA) ニッケルめっき(下地): 1.0 micro-meter MIN. NICKEL(UNDER PLATING)
③	ネイル NAIL	黄銅 BRASS
		錫めっき : 1.0 micro-meter MIN. MATTE TIN PLATING ニッケルめっき(下地): 1.0 micro-meter MIN. NICKEL(UNDER PLATING)

DOCUMENT STATUS P1 RELEASE DATE 2020/12/15 05:07:50



14	20	8
12	18	7
10	16	6
8	14	5
6	12	4
4	10	3
2	8	2
B	A	極数 CIRCUIT SIZE

THIS DRAWING CONTAINS INFORMATION THAT IS PROPRIETARY TO MOLEX ELECTRONIC TECHNOLOGIES, LLC AND SHOULD NOT BE USED WITHOUT WRITTEN PERMISSION

DIMENSION UNITS	SCALE	CURRENT REV DESC:
mm	NTS	
GENERAL TOLERANCES (UNLESS SPECIFIED)		
ANGULAR TOL ± 3.0 °		
4 PLACES	± 0.2	EC NO: 651228
3 PLACES	± 0.2	DRWN: KYAMADA02 2020/12/04
2 PLACES	± 0.2	CHK'D: AIDA 2020/12/15
1 PLACE	± 0.2	APPR: SAKIYAMA 2020/12/15
0 PLACES	± 0.2	INITIAL REVISION:
DRAFT WHERE APPLICABLE MUST REMAIN WITHIN DIMENSIONS		
THIRD ANGLE PROJECTION		
DRAWING	SERIES	MATERIAL NUMBER
A3-SIZE	217063	SEE TABLE
CUSTOMER		
SHEET NUMBER		
1 OF 5		

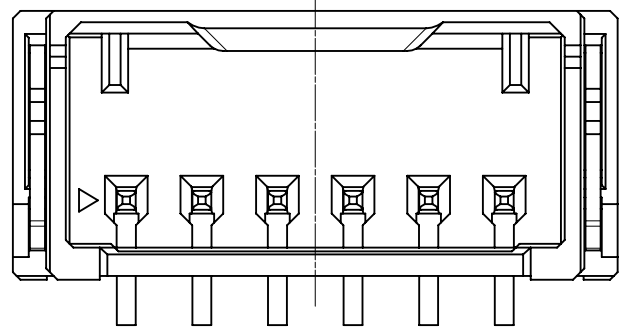
EC NO: 651228
DRWN: KYAMADA02 2020/12/04
CHK'D: AIDA 2020/12/15
APPR: SAKIYAMA 2020/12/15
INITIAL REVISION:
DRWN: KYAMADA02 2020/12/04
APPR: SAKIYAMA 2020/12/15

molex

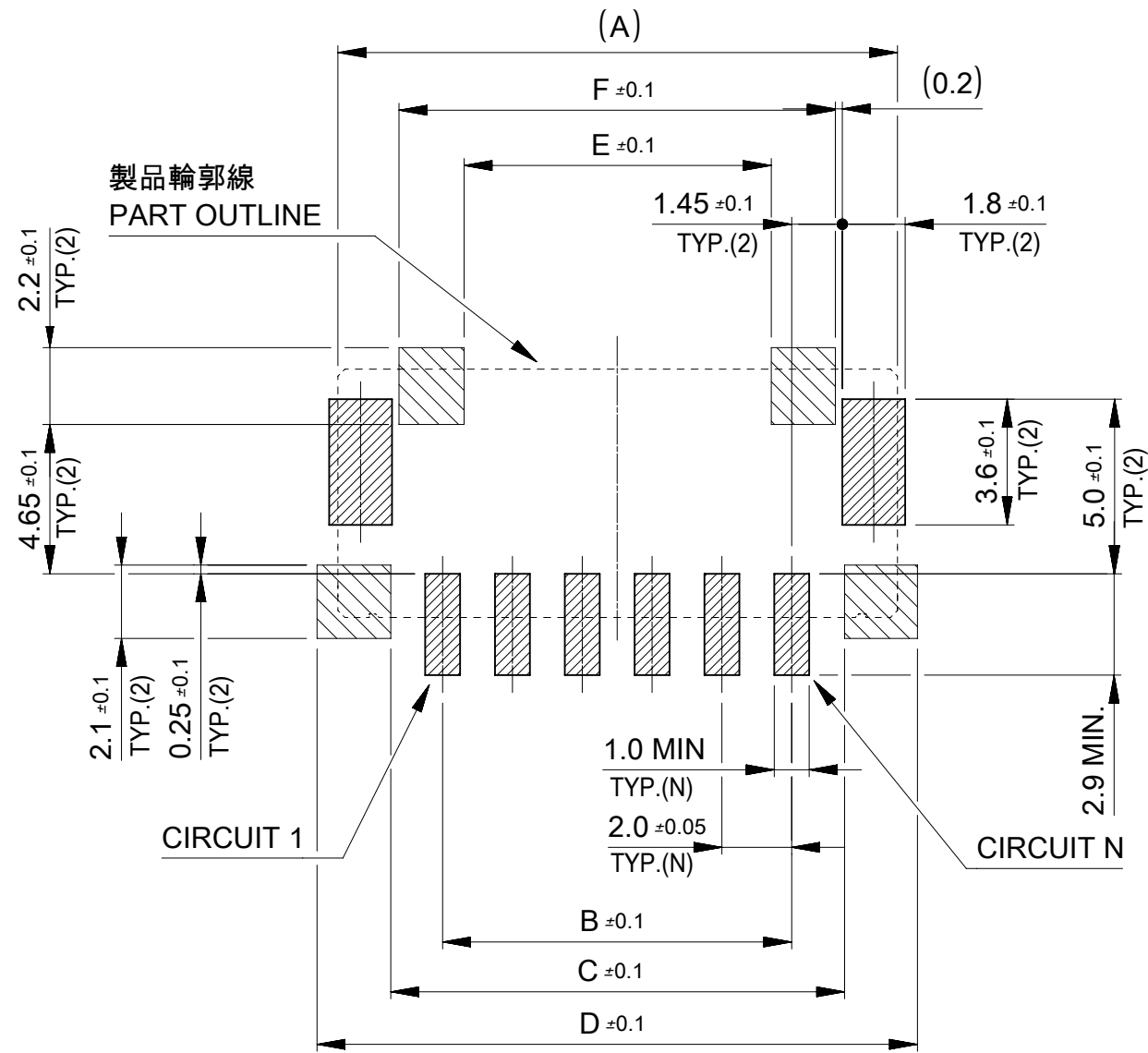
MICRO-ONE 2.0W/B GW-TYPE
HEADER ASSEMBLY VERTICAL

PRODUCT CUSTOMER DRAWING

DOCUMENT NUMBER: 2170630000-SD
DOC TYPE: PSD
DOC PART: 000
REVISION: A



製品レイアウト
PRODUCT LAYOUT



推奨基板レイアウト:実装面側

(参考: 基板厚1.6mm, メタルマスク厚0.15mm, マスク開口率100%)

SUGGESTED PCB LAYOUT : COMPONENT SIDE

(REFERENCE: PCB THICKNESS 1.6mm, STENCIL THICKNESS 0.15mm, APERTURE RATIO 100%)



:パターン禁止エリア
RESTRICTED AREA
NO PCB COMPONENTS ALLOWED

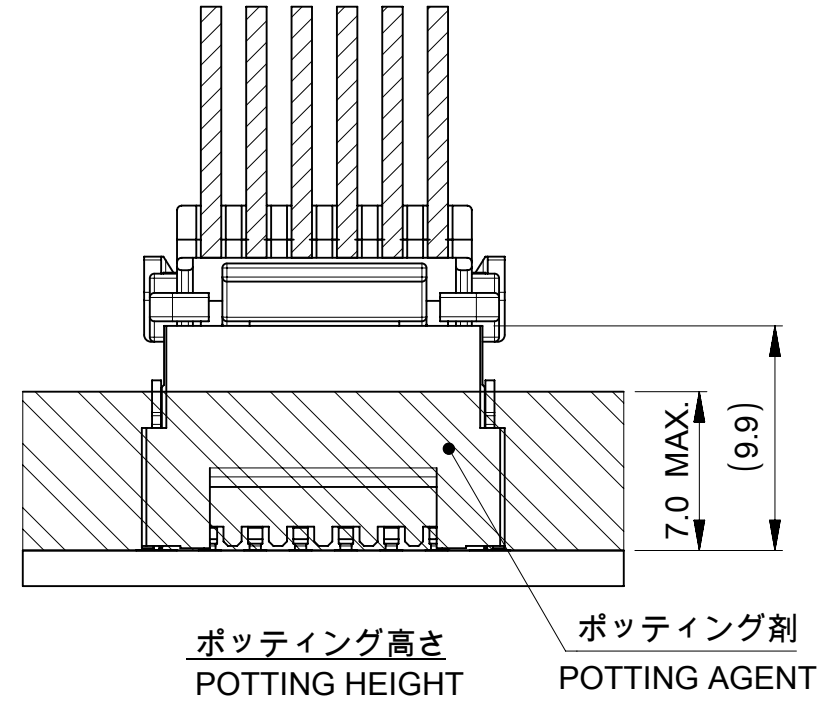
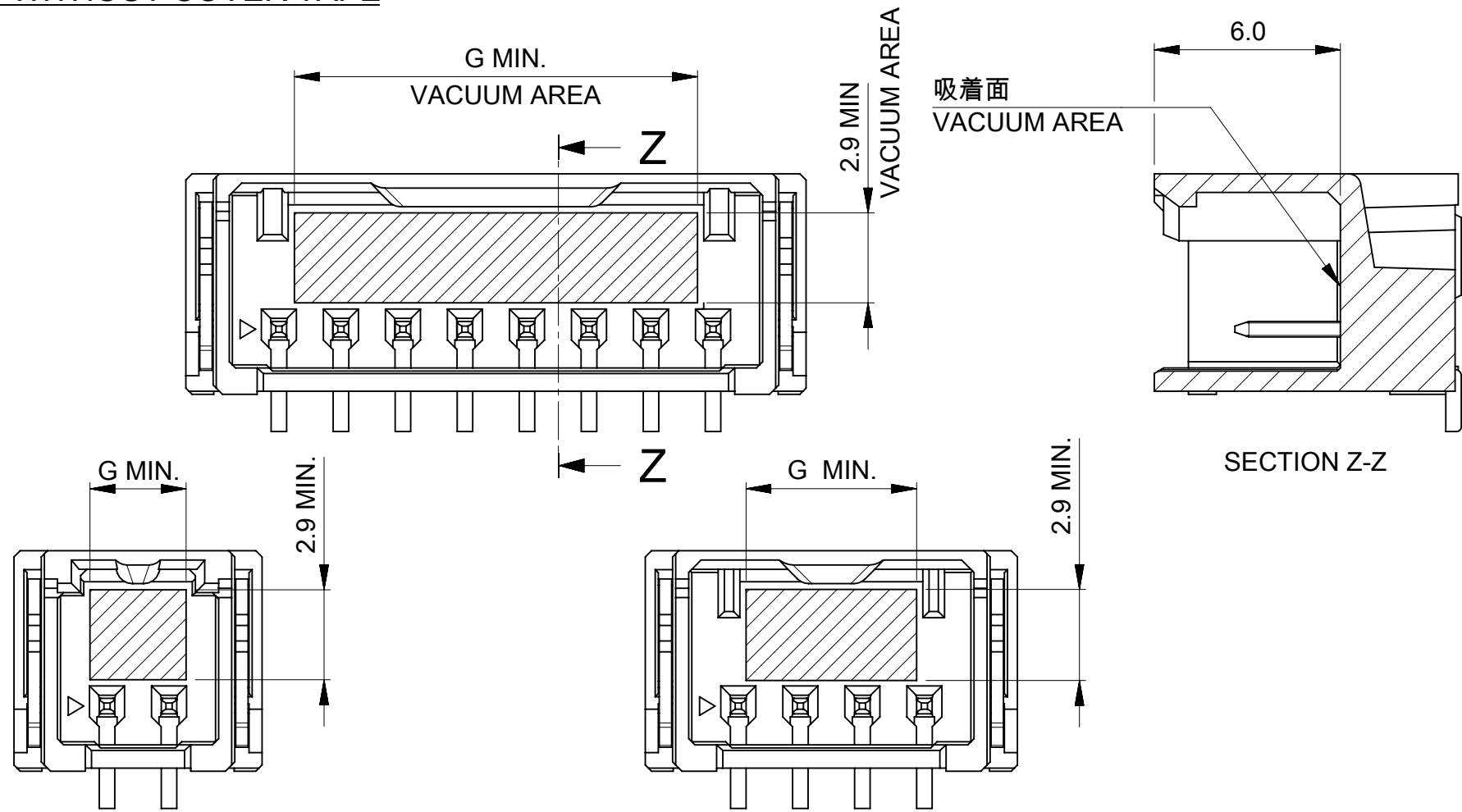
NOTES

1. 材料及び仕上げ(めっき仕様): TABLE 1 参照
MATERIAL AND FINISHES : SEE TABLE 1
2. 製品仕様書: 2059790000-PS 000
PRODUCT SPECIFICATION:2059790000-PS 000
3. 梱包形態: SHEET 4 参照
PACKAGING INFORMATION : SEE SHEET 4
4. 嵌合相手: 205979 シリーズ
MATES WITH:205979 SERIES
5. アプリケーション仕様書(コネクタ取扱い説明書): 2059790000-AS 000
APPLICATION SPECIFICATION(CONNECTOR MANUAL):2059790000-AS 000
6. 端子テール部及びネイルの平坦度:0.1 MAX.
TAIL AND NAIL COPLANARITY TO BE 0.1 MAX.
7. 極数/2 = 偶数に適合
APPLY FOR CIRCUIT SIZE / 2 =EVEN
8. 端子テール部及びネイルに錫ビスマスめっきを使用している為、
外観に摺動痕が付く場合があります。
THE WOUND OF FRICTION MIGHT ADHERE TO EXTERNALS
BECAUSE THE TIN BISMUTH PLATING IS USED FOR THE TAIL AND NAIL.
9. 本製品のプラスチック部に黒点・白点等が確認される場合や
色合いが異なる場合がありますが、製品性能に影響はありません。
THERE IS NO INFLUENCE IN THE PRODUCT
PERFORMANCE THOUGH THE BLACK AND WHITE SPOT ETC.
MIGHT BE CONFIRMED TO THE PLASTIC PART OF
THIS PRODUCT AND THE SHADE MIGHT BE DIFFERENT.
10. この製品は205971のGlow Wire適合バージョンです。
THIS PRODUCT IS A GLOW WIRE COMPLIANT VERSION OF 205971.

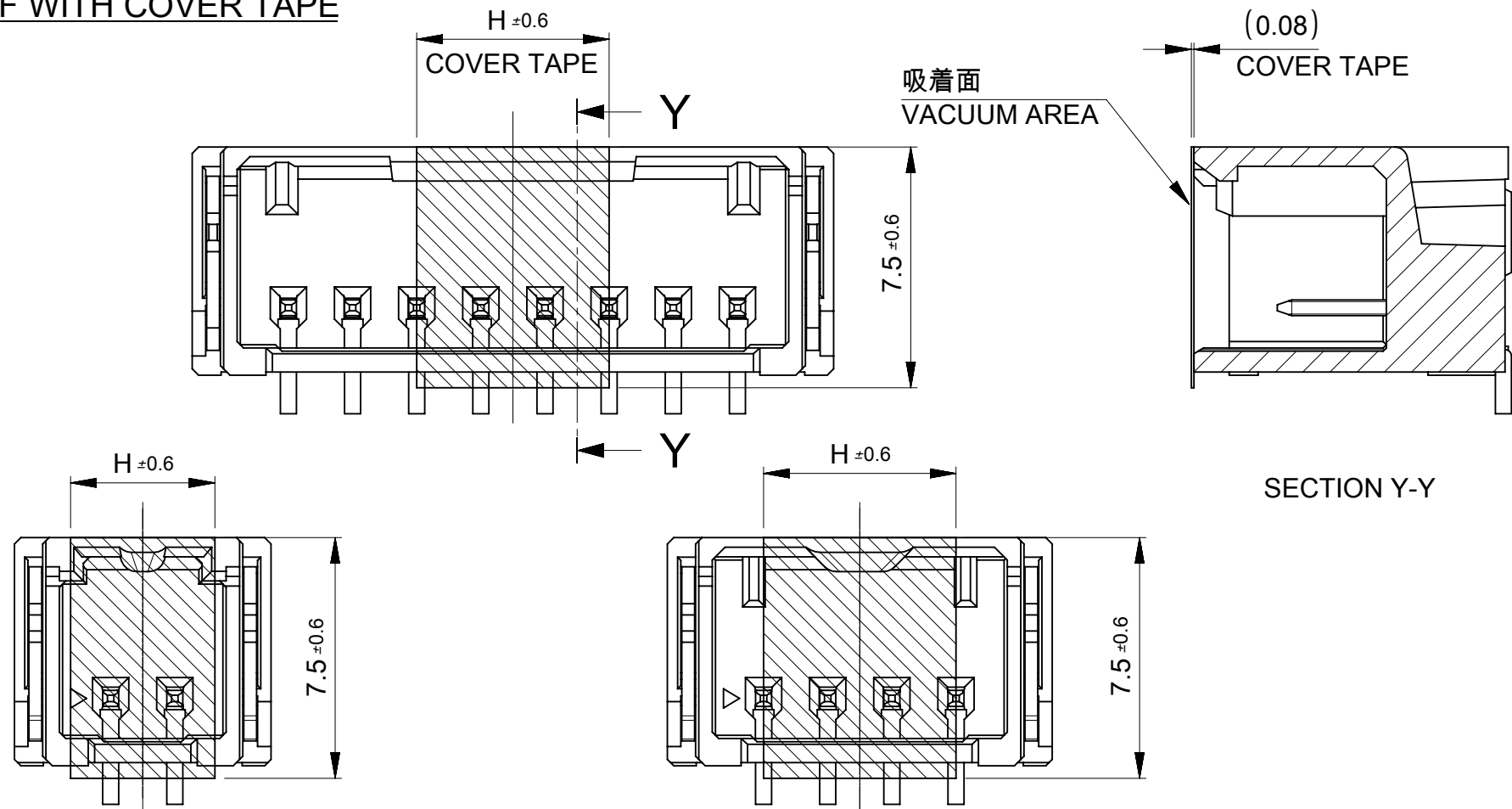
16.5	13.6	21.2	17.0	8
14.5	11.6	19.2	15.0	7
12.5	9.6	17.2	13.0	6
10.5	7.6	15.2	11.0	5
8.5	5.6	13.2	9.0	4
6.5	3.6	11.2	7.0	3
4.5	1.6	9.2	5.0	2
F	E	D	C	極数 CIRCUIT SIZE

THIS DRAWING CONTAINS INFORMATION THAT IS PROPRIETARY TO MOLEX ELECTRONIC TECHNOLOGIES, LLC AND SHOULD NOT BE USED WITHOUT WRITTEN PERMISSION		CURRENT REV DESC:		molex	
DIMENSION UNITS	SCALE				
mm	NTS			MICRO-ONE 2.0W/B GW-TYPE HEADER ASSEMBLY VERTICAL	
GENERAL TOLERANCES (UNLESS SPECIFIED)				PRODUCT CUSTOMER DRAWING	
ANGULAR TOL ± 3.0 °				DOCUMENT NUMBER	
4 PLACES	± 0.2	EC NO: 651228	2020/12/04	2170630000-SD	
3 PLACES	± 0.2	DRWN: KYAMADA02	2020/12/15	DOC TYPE	DOC PART
2 PLACES	± 0.2	CHK'D: AIDA	2020/12/15	PSD	000
1 PLACE	± 0.2	APPR: SAKIYAMA		REVISION	A
0 PLACES	± 0.2	INITIAL REVISION:			
DRAFT WHERE APPLICABLE MUST REMAIN WITHIN DIMENSIONS		THIRD ANGLE PROJECTION	DRAWING	SERIES	MATERIAL NUMBER
			A3-SIZE	217063	SEE TABLE
		CUSTOMER	GENERAL		
		SHEET NUMBER			
		2 OF 5			

CASE OF WITHOUT COVER TAPE



CASE OF WITH COVER TAPE



8.0	13.0	8
	11.0	7
	9.5	6
6.0	7.5	5
	5.5	4
4.5	4.4	3
	3.1	2
H	G	極数 CIRCUIT SIZE

THIS DRAWING CONTAINS INFORMATION THAT IS PROPRIETARY TO MOLEX ELECTRONIC TECHNOLOGIES, LLC AND SHOULD NOT BE USED WITHOUT WRITTEN PERMISSION

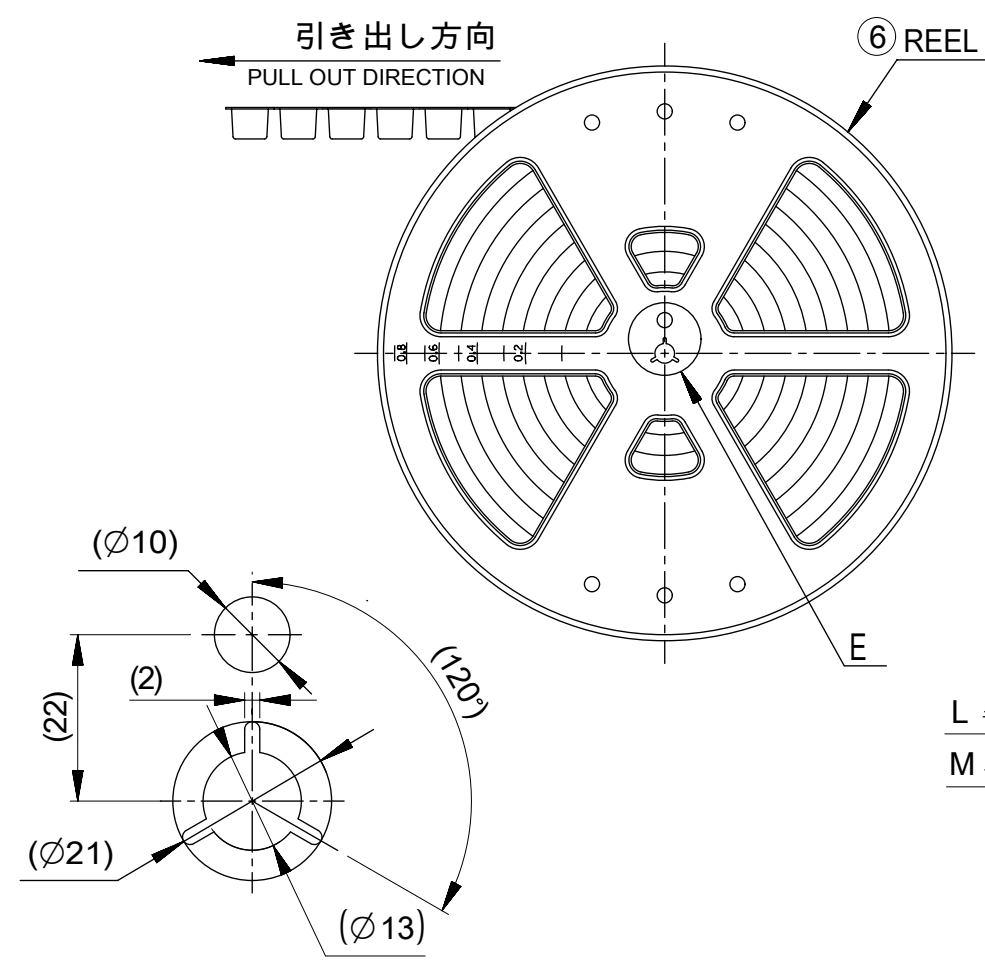
DIMENSION UNITS	SCALE	CURRENT REV DESC:	
mm	NTS		
GENERAL TOLERANCES (UNLESS SPECIFIED)			
ANGULAR TOL ± 3.0 °			
4 PLACES	± 0.2	EC NO: 651228	
3 PLACES	± 0.2	DRWN: KYAMADA02	2020/12/04
2 PLACES	± 0.2	CHK'D: AIDA	2020/12/15
1 PLACE	± 0.2	APPR: SAKIYAMA	2020/12/15
0 PLACES	± 0.2	INITIAL REVISION:	
DRAFT WHERE APPLICABLE MUST REMAIN WITHIN DIMENSIONS		DRWN: KYAMADA02	2020/12/04
THIRD ANGLE PROJECTION		APPR: SAKIYAMA	2020/12/15
DRAWING	SERIES	MATERIAL NUMBER	CUSTOMER
A3-SIZE	217063	SEE TABLE	GENERAL

molex

MICRO-ONE 2.0W/B GW-TYPE HEADER ASSEMBLY VERTICAL

PRODUCT CUSTOMER DRAWING

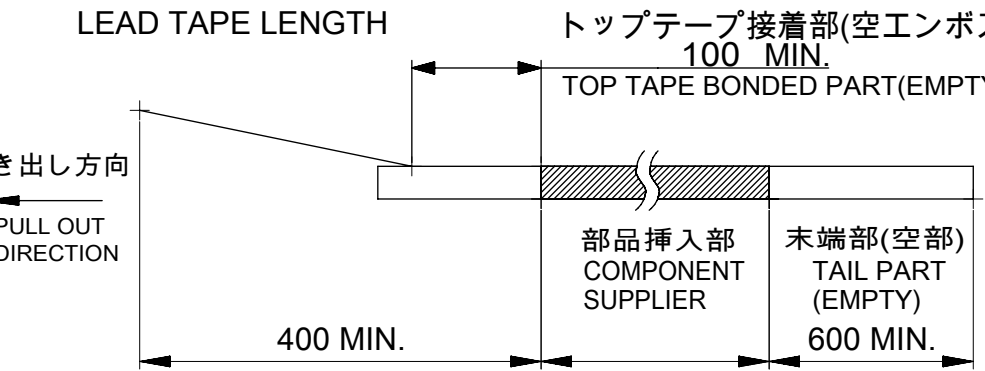
DOCUMENT NUMBER	DOC TYPE	DOC PART	REVISION
2170630000-SD	PSD	000	A
SHEET NUMBER		3 OF 5	



NOTES

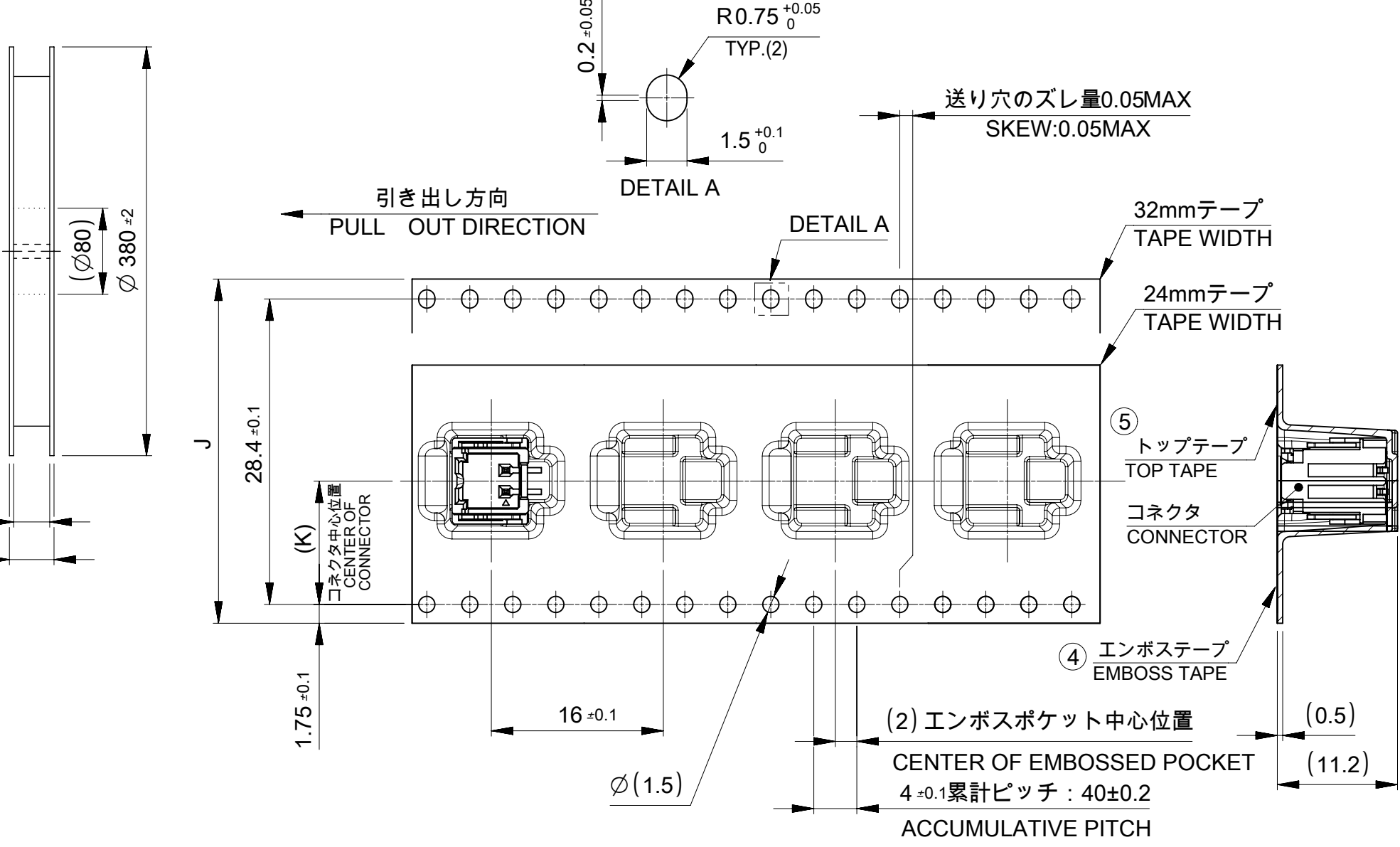
11. 梱包数量 : 500個/リール
NUMBER OF CONNECTORS : 500 PIECES/REEL

12. リードテープ長さ
LEAD TAPE LENGTH



13. トップテープの剥離強度はIEC60286-3に準拠。
TOP TAPE PEELING FORCE IS DEFINED BY IEC60286-3.

番号 NO.	部品 PART	材質 MATERIAL
④	エンボステープ EMBOSS TAPE	ポリスチレン(PS)、その他 POLYSTYRENE(PS), etc
⑤	トップテープ TOP TAPE	ポリエチレン(PE)、その他 POLYETHYLENE(PE), etc
⑥	リール REEL	ポリスチレン(PS) <リサイクル材を含む> POLYSTYRENE(PS) <RECYCLE MATERIAL CONTAINED>



14. 発注番号 : SHEET 5 参照
ORDER No. : PLEASE REFER TO SHEET 5 FOR PRODUCT LIST.

217063 0 * * *

極数
CIRCUIT SIZE

- 0 : カバーテープなし NATURAL
WITHOUT COVER TAPE NATURAL
- 1 : カバーテープなし BLACK
WITHOUT COVER TAPE BLACK
- 2 : カバーテープあり NATURAL
WITH COVER TAPE NATURAL
- 3 : カバーテープあり BLACK
WITH COVER TAPE BLACK

37.5	33.5	14.2	32±0.3	8
				7
				6
29.5	25.5	11.5	24 ^{+0.3} _{-0.1}	5
				4
				3
				2
M	L	K	エンボステープ幅 J WIDTH OF TAPE	極数 CIRCUIT SIZE

THIS DRAWING CONTAINS INFORMATION THAT IS PROPRIETARY TO MOLEX ELECTRONIC TECHNOLOGIES, LLC AND SHOULD NOT BE USED WITHOUT WRITTEN PERMISSION

DIMENSION UNITS	SCALE	CURRENT REV DESC.
mm	NTS	
GENERAL TOLERANCES (UNLESS SPECIFIED)		
ANGULAR TOL	±	°
4 PLACES	±	
3 PLACES	±	
2 PLACES	±	
1 PLACE	±	
0 PLACES	±	
DRAFT WHERE APPLICABLE MUST REMAIN WITHIN DIMENSIONS		
THIRD ANGLE PROJECTION		
DRAWING	SERIES	MATERIAL NUMBER
A3-SIZE	217063	SEE TABLE
CUSTOMER		
GENERAL		
SHEET NUMBER		
4 OF 5		

EC NO: 651228
DRWN: KYAMADA02 2020/12/04
CHK'D: AIDA 2020/12/15
APPR: SAKIYAMA 2020/12/15

INITIAL REVISION:
DRWN: KYAMADA02 2020/12/04
APPR: SAKIYAMA 2020/12/15

DOCUMENT NUMBER: 2170630000-SD
DOC TYPE: PSD
DOC PART: 000
REVISION: A

molex

MICRO-ONE 2.0W/B GW-TYPE
HEADER ASSEMBLY VERTICAL

PRODUCT CUSTOMER DRAWING

10

9

8

7

6

5

4

3

2

1

F

F

E

E

D

D

C

C

B

B

A

A

△ 製品一覧 PRODUCT LIST

WITH COVER TAPE		WITHOUT COVER TAPE		
HOUSING COLOR BLACK	HOUSING COLOR NATURAL	HOUSING COLOR BLACK	HOUSING COLOR NATURAL	
2170630087	2170630086	2170630085	2170630084	8
↑ 0077	↑ 0076	↑ 0075	↑ 0074	7
0067	0066	0065	0064	6
0057	0056	0055	0054	5
0047	0046	0045	0044	4
↓ 0037	↓ 0036	↓ 0035	↓ 0034	3
2170630027	2170630026	2170630025	2170630024	2
発注番号 ORDER No.				極数
梱包形態 : エンボスリール PACKAGE:EMBOSSED REEL				CIRCUIT SIZE

THIS DRAWING CONTAINS INFORMATION THAT IS PROPRIETARY TO MOLEX ELECTRONIC TECHNOLOGIES, LLC AND SHOULD NOT BE USED WITHOUT WRITTEN PERMISSION												
DIMENSION UNITS mm		SCALE NTS		CURRENT REV DESC:				molex		MICRO-ONE 2.0W/B GW-TYPE HEADER ASSEMBLY VERTICAL		
GENERAL TOLERANCES (UNLESS SPECIFIED)		ANGULAR TOL ± °		EC NO: 651228 DRWN: KYAMADA02 2020/12/04 CHK'D: AIDA 2020/12/15 APPR: SAKIYAMA 2020/12/15								
4 PLACES ±		3 PLACES ±		INITIAL REVISION: DRWN: KYAMADA02 2020/12/04 APPR: SAKIYAMA 2020/12/15				DOCUMENT NUMBER 2170630000-SD		DOC TYPE PSD	DOC PART 000	REVISION A
2 PLACES ±		1 PLACE ±		DRAFT WHERE APPLICABLE MUST REMAIN WITHIN DIMENSIONS		THIRD ANGLE PROJECTION 		DRAWING A3-SIZE	SERIES 217063	MATERIAL NUMBER SEE TABLE	CUSTOMER GENERAL	SHEET NUMBER 5 OF 5

9

8

7

6

5

4

3

2

1