

**PLEASE CHECK WWW.MOLEX.COM FOR LATEST PART INFORMATION**

**Part Number:** [1045216001](#)  
**Status:** **Active**  
**Overview:** [IllumiMate™ Connector System](#)  
**Description:** IllumiMate™ 1.25mm Wire-to-Board Connector, Receptacle Terminal, Pre-plated, Tin (Sn)

**Documents:**

[Drawing \(PDF\)](#) [Packaging Specification PK-104521-001-001 \(PDF\)](#)  
[Product Specification PS-104091-001-001 \(PDF\)](#) [RoHS Certificate of Compliance \(PDF\)](#)

**General**

Product Family Crimp Terminals  
 Series [104521](#)  
 Application Signal  
 Crimp Quality Equipment Yes  
 Overview [IllumiMate™ Connector System](#)  
 Product Name IllumiMate™  
 UPC 884982508835

**Physical**

Durability (mating cycles max) 30  
 Gender Female  
 Material - Metal Phosphor Bronze  
 Material - Plating Mating Tin  
 Material - Plating Termination Tin  
 Net Weight 0.028/g  
 Packaging Type Reel  
 Termination Interface: Style Crimp or Compression  
 Wire Insulation Diameter 0.95mm max.  
 Wire Size AWG 26, 32  
 Wire Size mm² N/A

**Electrical**

Current - Maximum per Contact 1.5A  
 Voltage - Maximum 250V

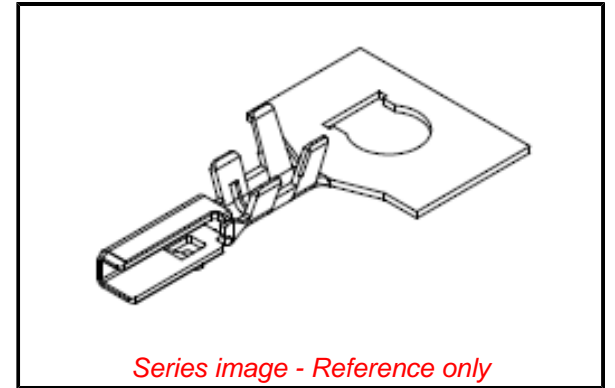
**Solder Process Data**

Lead-freeProcess Capability N/A

**Material Info**

**Reference - Drawing Numbers**

Packaging Specification PK-104521-001-001  
 Product Specification PS-104091-001-001  
 Sales Drawing SD-104521-001



*Series image - Reference only*

**EU ELV**

**Not Relevant**

**EU RoHS**

**Compliant**

**REACH SVHC**

Not Contained Per  
 -ED/01/2017 (12  
 January 2017)

**Halogen-Free**

**Status**

**Low-Halogen**

**Need more information on product environmental compliance?**

Email [productcompliance@molex.com](mailto:productcompliance@molex.com)  
 Please visit the [Contact Us](#) section for any non-product compliance questions.

China ROHS

ELV

RoHS Phthalates

Green Image

Not Relevant

Not Contained

**Search Parts in this Series**

[104521](#) Series

**Use With**

[104092](#) , [104105](#) , [104121](#) Crimp Housings

**Application Tooling | FAQ**

*Tooling specifications and manuals are found by selecting the products below. Crimp Height Specifications are then contained in the Application Tooling Specification document.*

**Global**

**Description**

**Product #**

Hand Crimp Tool for [0638272300](#)  
 IllumiMate 1.25mm  
 Wire-to-Board Crimp  
 Terminals

This document was generated on 07/25/2017

**PLEASE CHECK [WWW.MOLEX.COM](http://WWW.MOLEX.COM) FOR LATEST PART INFORMATION**