

PLEASE CHECK WWW.MOLEX.COM FOR LATEST PART INFORMATION

Part Number: [1041300510](#)
Status: **Active**
Overview: [IllumiMate Connector System](#)
Description: IllumiMate 1.25mm Pitch Wire-to-Board Header, Surface Mount, Single Row, Vertical, 5 Circuits

Documents:

[3D Model](#) [Packaging Specification PK-104130-001-001 \(PDF\)](#)
[Drawing \(PDF\)](#) [RoHS Certificate of Compliance \(PDF\)](#)
[Product Specification PS-104130-002-001 \(PDF\)](#)

Agency Certification

UL E29179

General

Product Family PCB Headers
 Series [104130](#)
 3D Viewer Yes
 Application Signal, Wire-to-Board
 CURRENT-MAX-NUMERIC 1.5
 Overview [IllumiMate Connector System](#)
 PITCH-MATING-NUMERIC 1.25
 Product Name IllumiMate
 UPC 884982710924

Physical

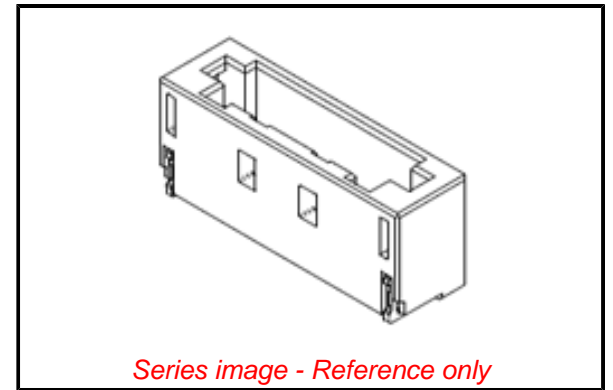
Breakaway No
 Circuits (Loaded) 5
 Circuits (maximum) 5
 Color - Resin Natural
 Durability (mating cycles max) 30
 First Mate / Last Break No
 Flammability 94V-0
 Glow-Wire Capable No
 Keying to Mating Part N/A
 Lock to Mating Part Yes
 Material - Metal Phosphor Bronze
 Material - Plating Mating Tin
 Material - Plating Termination Tin
 Material - Resin High Temperature Thermoplastic
 Net Weight 0.187/g
 Number of Rows 1
 Orientation Vertical
 PCB Locator No
 PCB Retention None
 Packaging Type Embossed Tape on Reel
 Pitch - Mating Interface 1.25mm
 Polarized to Mating Part Yes
 Temperature Range - Operating -25° to +130°C
 Termination Interface: Style Surface Mount

Electrical

Current - Maximum per Contact 1.5A
 Voltage - Maximum 200V

Solder Process Data

Duration at Max. Process Temperature (seconds) 010
 Lead-freeProcess Capability REFLOW



EU ELV

Not Relevant

EU RoHS

Compliant

REACH SVHC

Not Contained Per - ED/71/2019 (16 July 2019)

Halogen-Free

Status

Not Low-Halogen

For more information, please visit [Contact US](#)

China ROHS

ELV

RoHS Phthalates

China RoHS

Green Image

Not Relevant

Not Contained

Search Parts in this Series

[104130 Series](#)

Mates With

[1041310500](#)

| | |
|---|-----|
| Max. Cycles at Max. Process Temperature | 003 |
| Process Temperature max. C | 260 |

Material Info

Reference - Drawing Numbers

| | |
|-------------------------|------------------------------|
| Packaging Specification | PK-104130-001-001 |
| Product Specification | PS-104130-002-001 |
| Sales Drawing | SD-104130-003, SD-104130-004 |

This document was generated on 09/13/2019

PLEASE CHECK WWW.MOLEX.COM FOR LATEST PART INFORMATION