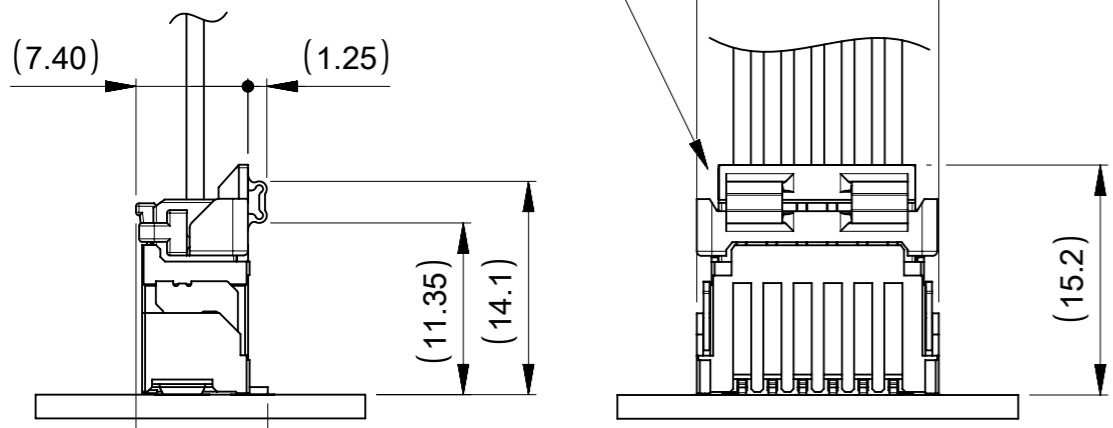
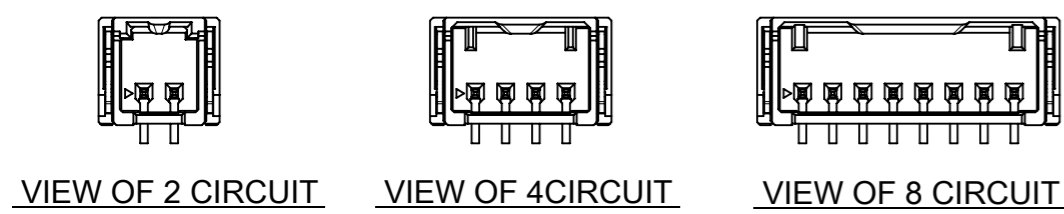


嵌合相手 : 205979シリーズ
MATE WITH : 205979 SERIES

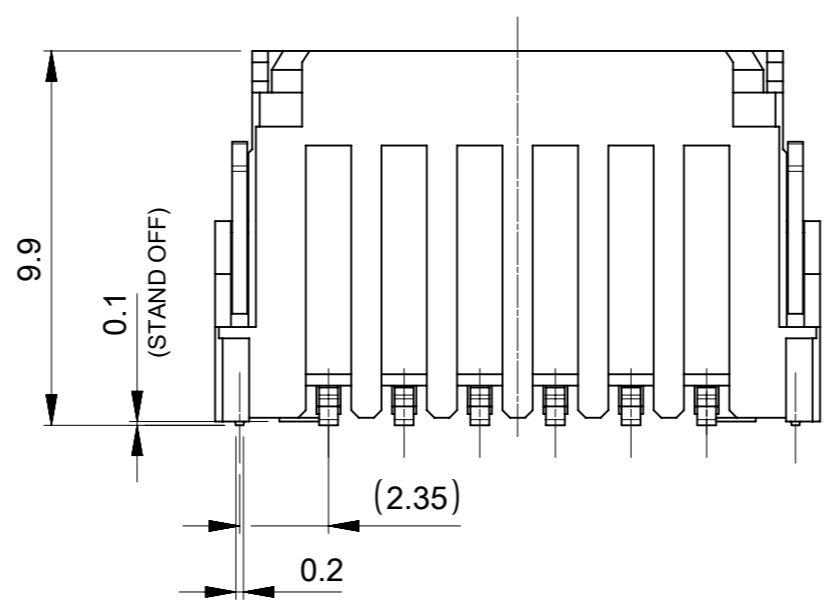
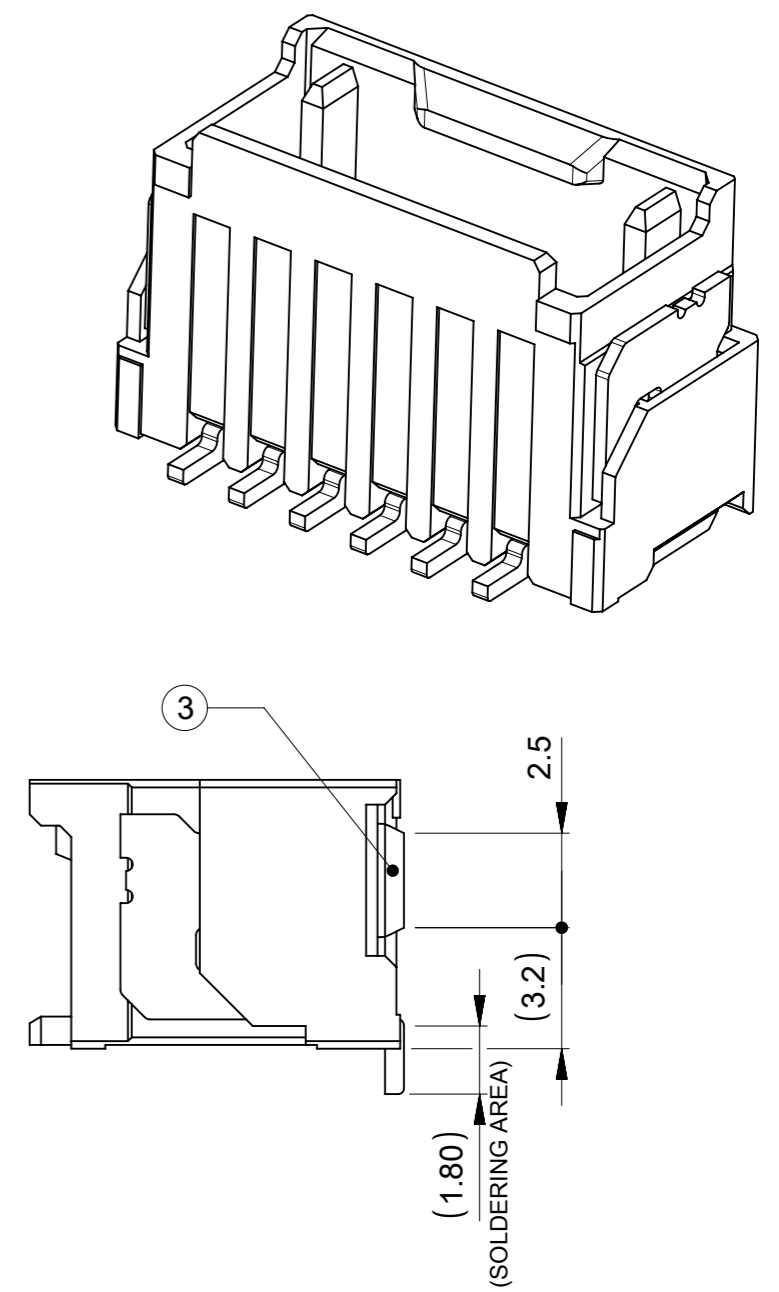
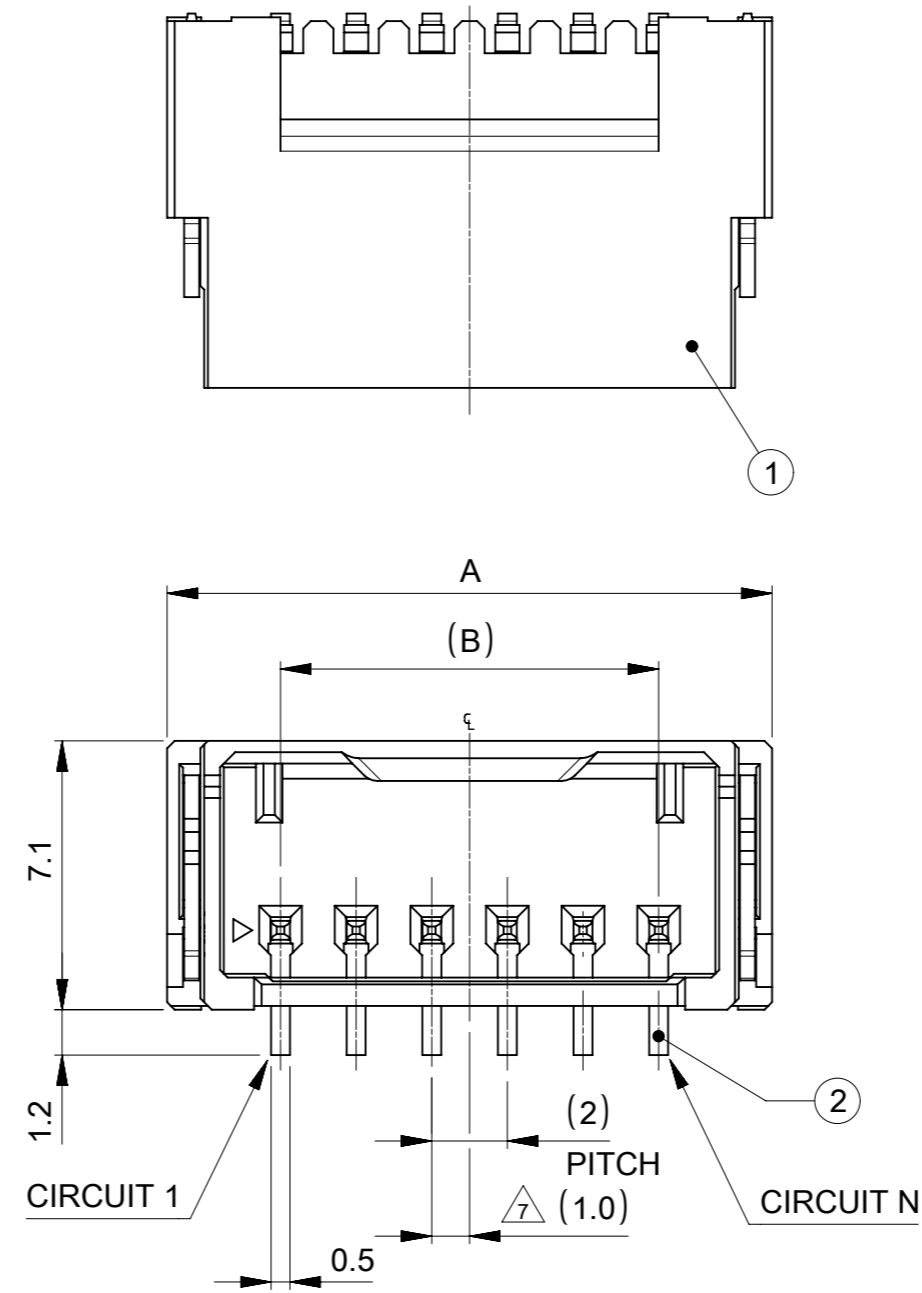


△ 嵌合図
MATED CONNECTORES



△ TABLE 1

番号 No.	部品 PART	材質 MATERIAL
①	ハウジング HOUSING	ポリアミド(PA), UL94V-0, 色 : SEE CHART POLYAMIDE(PA), UL94V-0, COLOR : SEE CHART
②	ターミナル TERMINAL	黄銅 BRASS
		錫ビスマスめっき : 1.0 micro-meter MIN. TIN BISMUTH PLATING(TAIL AREA, CONTACT AREA) ニッケルめっき(下地): 1.0 micro-meter MIN. NICKEL(UNDER PLATING)
③	ネイル NAIL	黄銅 BRASS
		錫めっき : 1.0 micro-meter MIN. MATTE TIN PLATING(TAIL AREA) ニッケルめっき(下地): 1.0 micro-meter MIN. NICKEL(UNDER PLATING)



14	20	8
12	18	7
10	16	6
8	14	5
6	12	4
4	10	3
2	8	2
B	A	極数 CIRCUIT SIZE

THIS DRAWING CONTAINS INFORMATION THAT IS PROPRIETARY TO MOLEX ELECTRONIC TECHNOLOGIES, LLC AND SHOULD NOT BE USED WITHOUT WRITTEN PERMISSION

DIMENSION UNITS	SCALE	CURRENT REV DESC:
mm	NTS	
GENERAL TOLERANCES (UNLESS SPECIFIED)		
ANGULAR TOL ± 3.0 °		
4 PLACES	± 0.2	EC NO: 641153
3 PLACES	± 0.2	DRWN: HKOBAYASHI 2018/06/28
2 PLACES	± 0.2	CHK'D: AIDA 2020/07/10
1 PLACE	± 0.2	APPR: SAKIYAMA 2020/07/10
0 PLACES	± 0.2	INITIAL REVISION:
DRAFT WHERE APPLICABLE MUST REMAIN WITHIN DIMENSIONS		
THIRD ANGLE PROJECTION		
DRAWING	SERIES	MATERIAL NUMBER
A3-SIZE	205971	SEE TABLE
CUSTOMER		
GENERAL		
SHEET NUMBER		
1 OF 5		

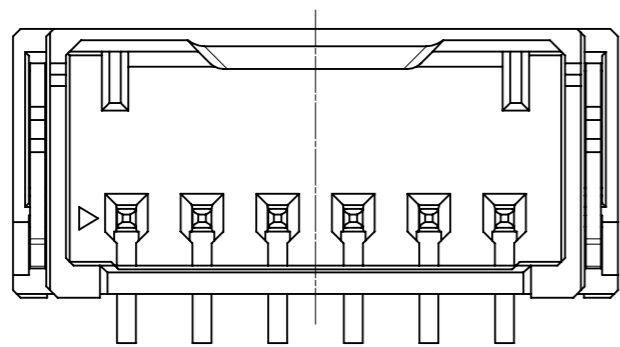
EC NO: 641153
DRWN: HKOBAYASHI 2018/06/28
CHK'D: AIDA 2020/07/10
APPR: SAKIYAMA 2020/07/10
INITIAL REVISION:
DRWN: TGREGORI 2018/02/16
APPR: SAKIYAMA 2020/07/10

molex

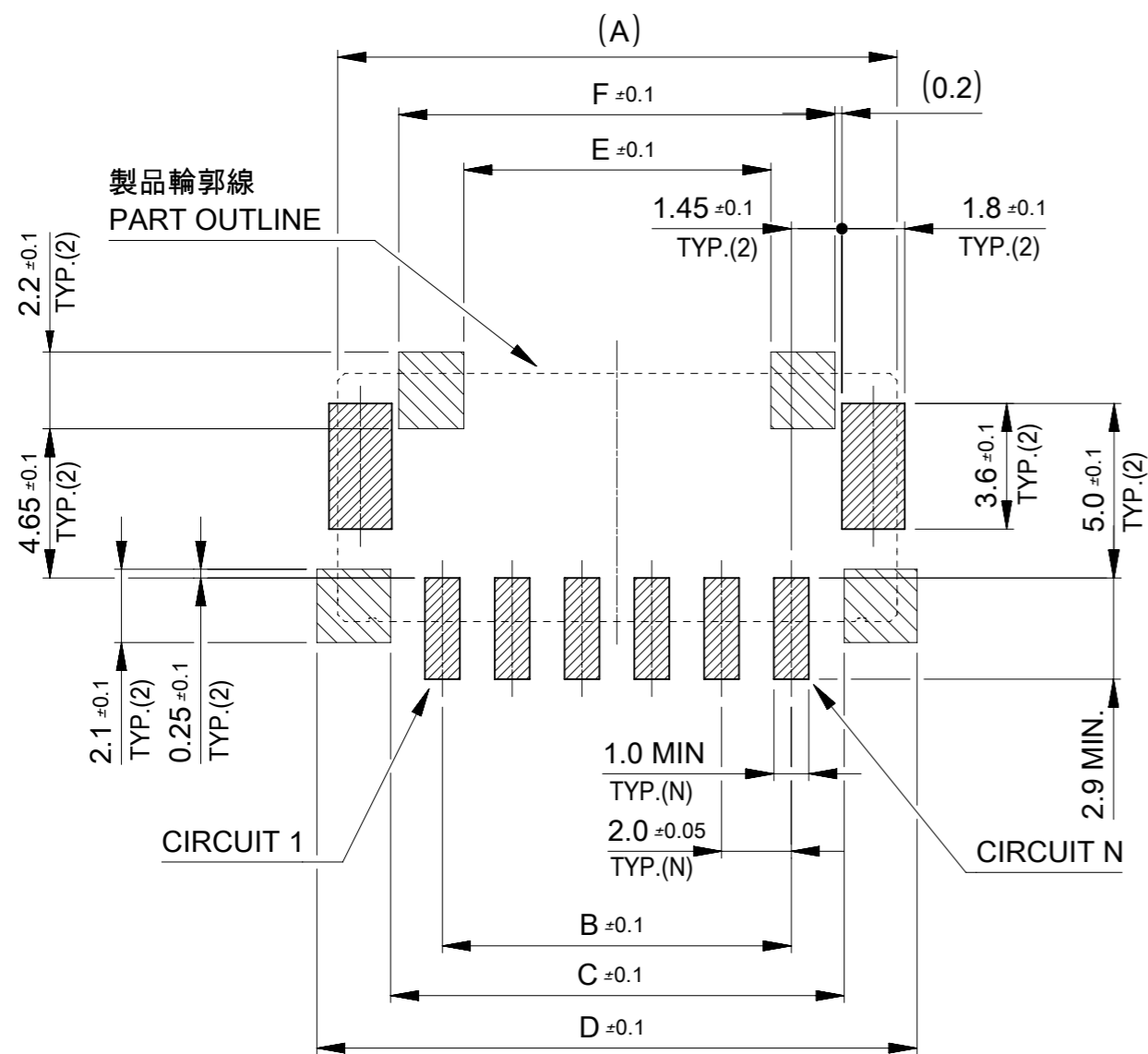
MICRO-ONE 2.0W/B HEAD ASSEMBLY VERTICAL

PRODUCT CUSTOMER DRAWING

DOCUMENT NUMBER: 2059710000-SD
DOC TYPE: PSD
DOC PART: 000
REVISION: A



製品レイアウト
PRODUCT LAYOUT

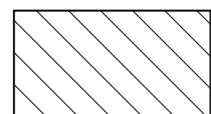


推奨基板レイアウト:実装面側

(参考: 基板厚1.6mm, メタルマスク厚0.15mm, マスク開口率100%)

SUGGESTED PCB LAYOUT : COMPONENT SIDE

(REFERENCE: PCB THICKNESS 1.6mm, STENCIL THICKNESS 0.15mm, APERTURE RATIO 100%)



:パターン禁止エリア
RESTRICTED AREA
NO PCB COMPONENTS ALLOWED

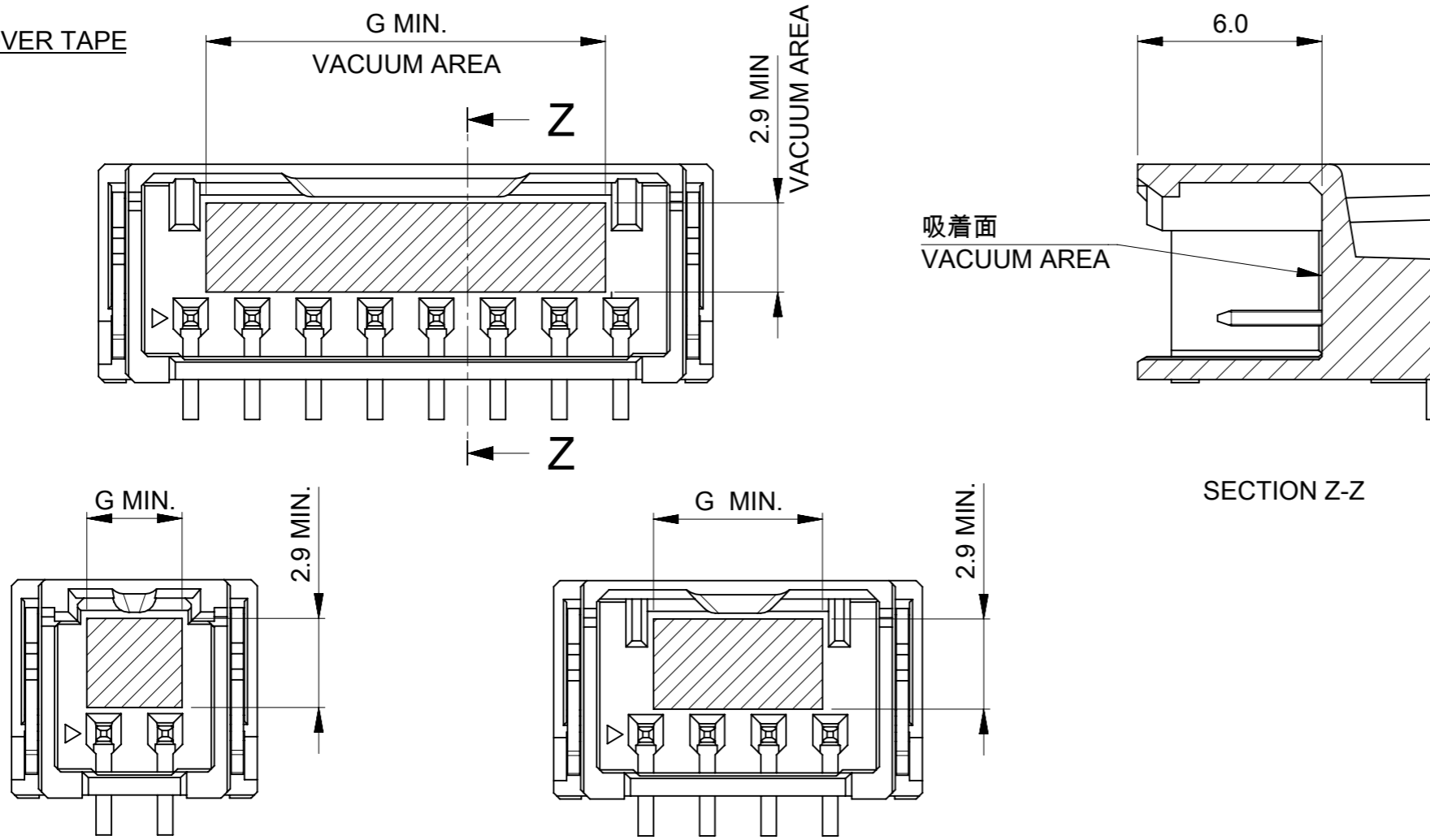
NOTES

1. 材料及び仕上げ(めっき仕様) : TABLE 1 参照
MATERIAL AND FINISHES : SEE TABLE 1
2. 製品仕様書 : 2059790000-PS
PRODUCT SPECIFICATION:2059790000-PS
3. 梱包形態 : SHEET 4 参照
PACKAGING INFORMATION : SEE SHEET 4
4. 嵌合相手 : 205979 シリーズ
MATES WITH:205979 SERIES
5. アプリケーション仕様書(コネクタ取扱い説明書) : 2059790000-AS 000
APPLICATION SPECIFICATION(CONNECTOR MANUAL):2059790000-AS 000
6. 端子テール部及びネイルの平坦度:0.1 MAX.
TAIL AND NAIL COPLANARITY TO BE 0.1 MAX.
7. 極数/2 = 偶数に適応
APPLY FOR CIRCUIT SIZE / 2 =EVEN
8. 端子テール部及びネイルに錫ビスマスめっきを使用している為、
外観に摺動痕が付く場合があります。
THE WOUND OF FRICTION MIGHT ADHERE TO EXTERNALS
BECAUSE THE TIN BISMUTH PLATING IS USED FOR THE TAIL AND NAIL.
9. 本製品のプラスチック部に黒点・白点等が確認される場合や
色合いが異なる場合がありますが、製品性能に影響はありません。
THERE IS NO INFLUENCE IN THE PRODUCT
PERFORMANCE THOUGH THE BLACK AND WHITE SPOT ETC.
MIGHT BE CONFIRMED TO THE PLASTIC PART OF
THIS PRODUCT AND THE SHADE MIGHT BE DIFFERENT.

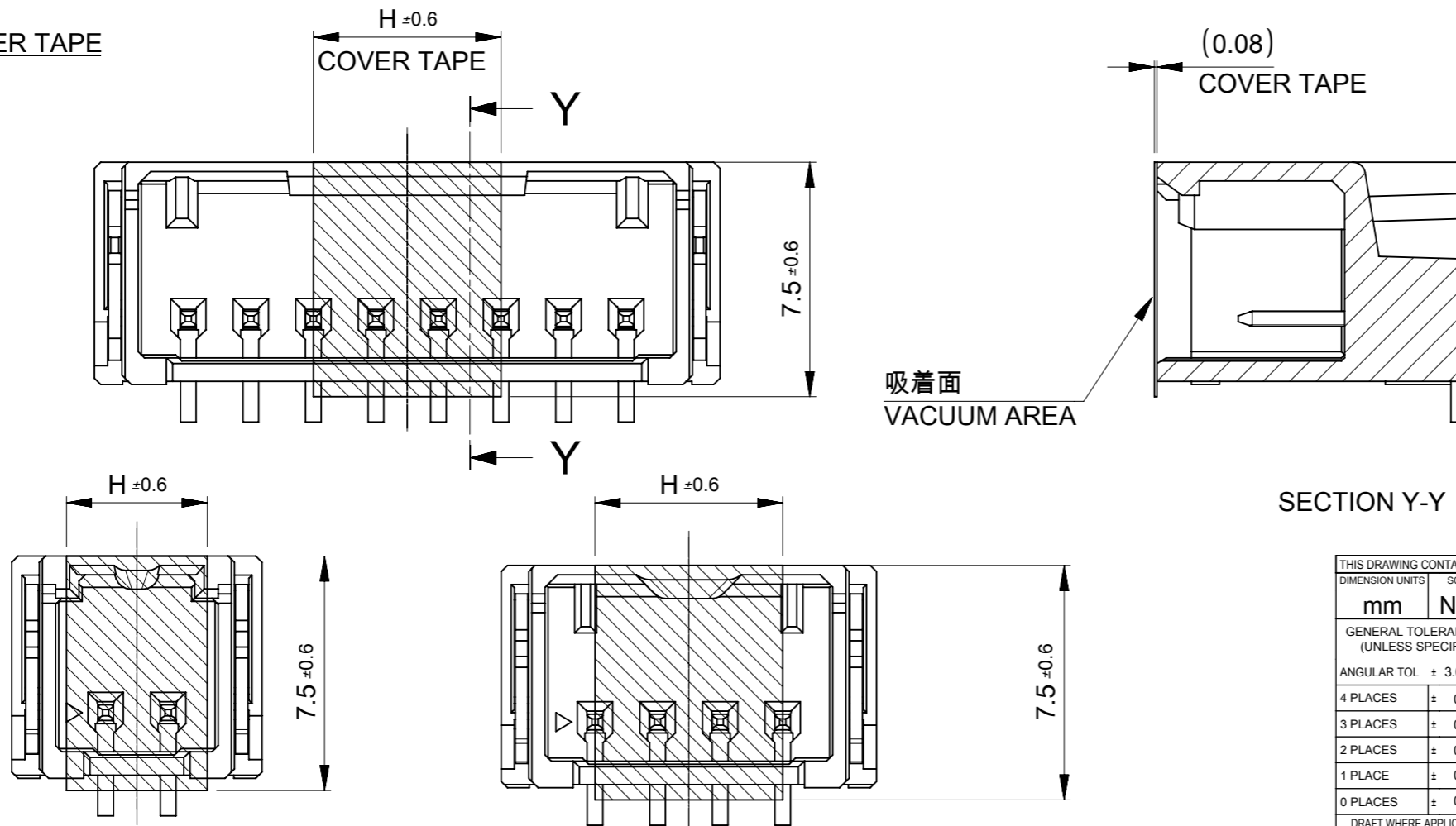
16.5	13.6	21.2	17.0	8
14.5	11.6	19.2	15.0	7
12.5	9.6	17.2	13.0	6
10.5	7.6	15.2	11.0	5
8.5	5.6	13.2	9.0	4
6.5	3.6	11.2	7.0	3
4.5	1.6	9.2	5.0	2
F	E	D	C	極数 CIRCUIT SIZE

THIS DRAWING CONTAINS INFORMATION THAT IS PROPRIETARY TO MOLEX ELECTRONIC TECHNOLOGIES, LLC AND SHOULD NOT BE USED WITHOUT WRITTEN PERMISSION		CURRENT REV DESC:		molex	
DIMENSION UNITS	SCALE	EC NO: 641153			
mm	NTS	DRWN: HKOBAYASHI 2018/06/28		MICRO-ONE 2.0W/B HEAD ASSEMBLY VERTICAL	
GENERAL TOLERANCES (UNLESS SPECIFIED)		3 PLACES ± 0.2			
ANGULAR TOL ± 3.0 °		CHK'D: AIDA 2020/07/10		PRODUCT CUSTOMER DRAWING	
4 PLACES ± 0.2		APPR: SAKIYAMA 2020/07/10			
3 PLACES ± 0.2		INITIAL REVISION:		DOCUMENT NUMBER	
2 PLACES ± 0.2		DRWN: TGREGORI 2018/02/16		2059710000-SD	
1 PLACE ± 0.2		APPR: SAKIYAMA 2020/07/10		DOC TYPE DOC PART REVISION	
0 PLACES ± 0.2		DRAFT WHERE APPLICABLE MUST REMAIN WITHIN DIMENSIONS		PSD 000 A	
THIRD ANGLE PROJECTION		DRAWING		SHEET NUMBER	
A3-SIZE		SERIES		2 OF 5	
205971		MATERIAL NUMBER		CUSTOMER	
SEE TABLE		GENERAL			

CASE OF WITHOUT COVER TAPE



CASE OF WITH COVER TAPE



8.0	13.0	8
	11.0	7
	9.5	6
6.0	7.5	5
	5.5	4
4.5	4.4	3
	3.1	2
H	G	極数 CIRCUIT SIZE

THIS DRAWING CONTAINS INFORMATION THAT IS PROPRIETARY TO MOLEX ELECTRONIC TECHNOLOGIES, LLC AND SHOULD NOT BE USED WITHOUT WRITTEN PERMISSION

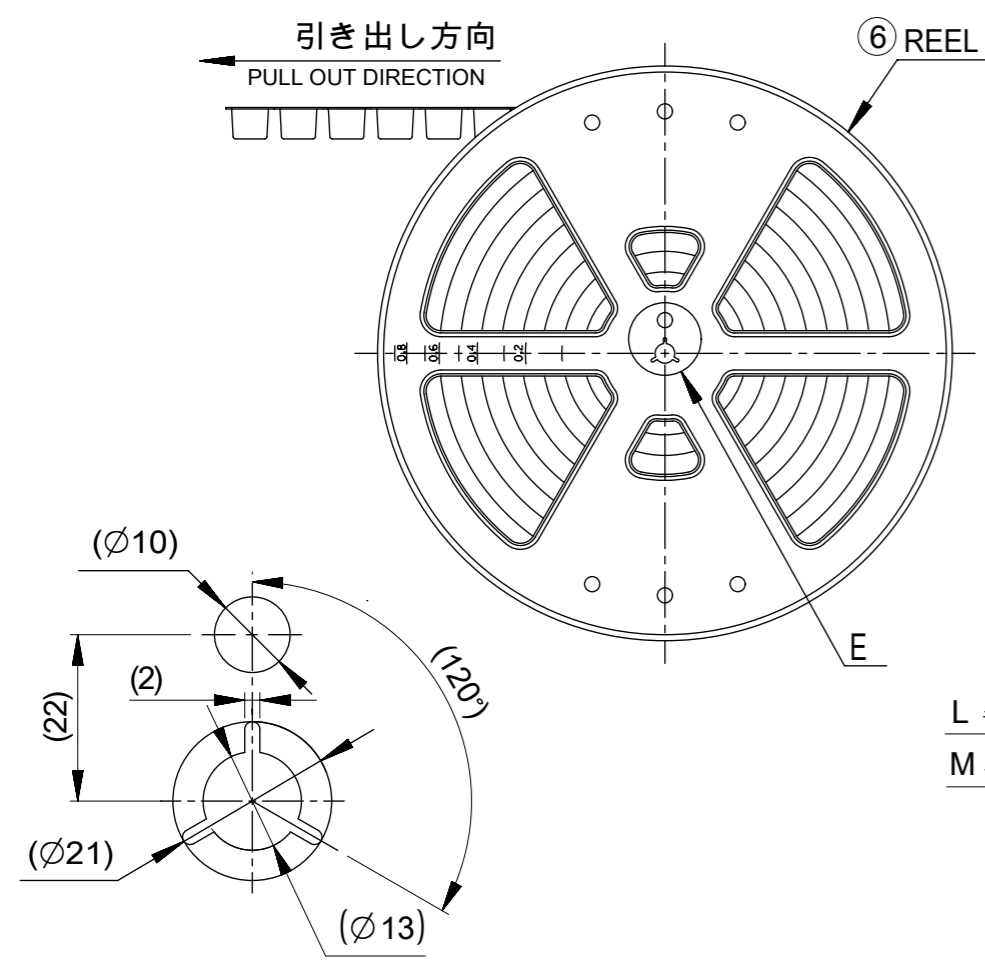
DIMENSION UNITS	SCALE	CURRENT REV DESC:	
mm	NTS		
GENERAL TOLERANCES (UNLESS SPECIFIED)			
ANGULAR TOL	± 3.0 °		
4 PLACES	± 0.2	EC NO: 641153	
3 PLACES	± 0.2	DRWN: HKOBAYASHI	2018/06/28
2 PLACES	± 0.2	CHK'D: AIDA	2020/07/10
1 PLACE	± 0.2	APPR: SAKIYAMA	2020/07/10
0 PLACES	± 0.2	INITIAL REVISION:	
DRAFT WHERE APPLICABLE MUST REMAIN WITHIN DIMENSIONS		DRWN: TGREGORI	2018/02/16
		APPR: SAKIYAMA	2020/07/10
THIRD ANGLE PROJECTION	DRAWING	SERIES	MATERIAL NUMBER
	A3-SIZE	205971	SEE TABLE
		CUSTOMER	SHEET NUMBER
		GENERAL	3 OF 5

molex

MICRO-ONE 2.0W/B HEAD ASSEMBLY VERTICAL

PRODUCT CUSTOMER DRAWING

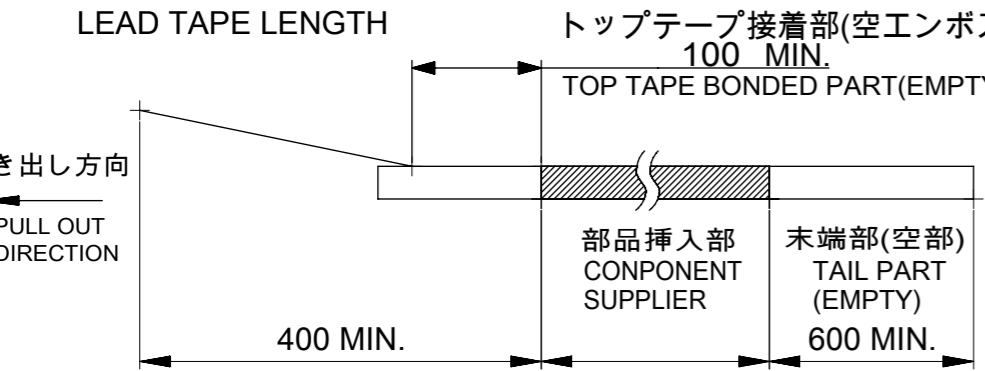
DOCUMENT NUMBER: 2059710000-SD | DOC TYPE: PSD | DOC PART: 000 | REVISION: A



NOTES

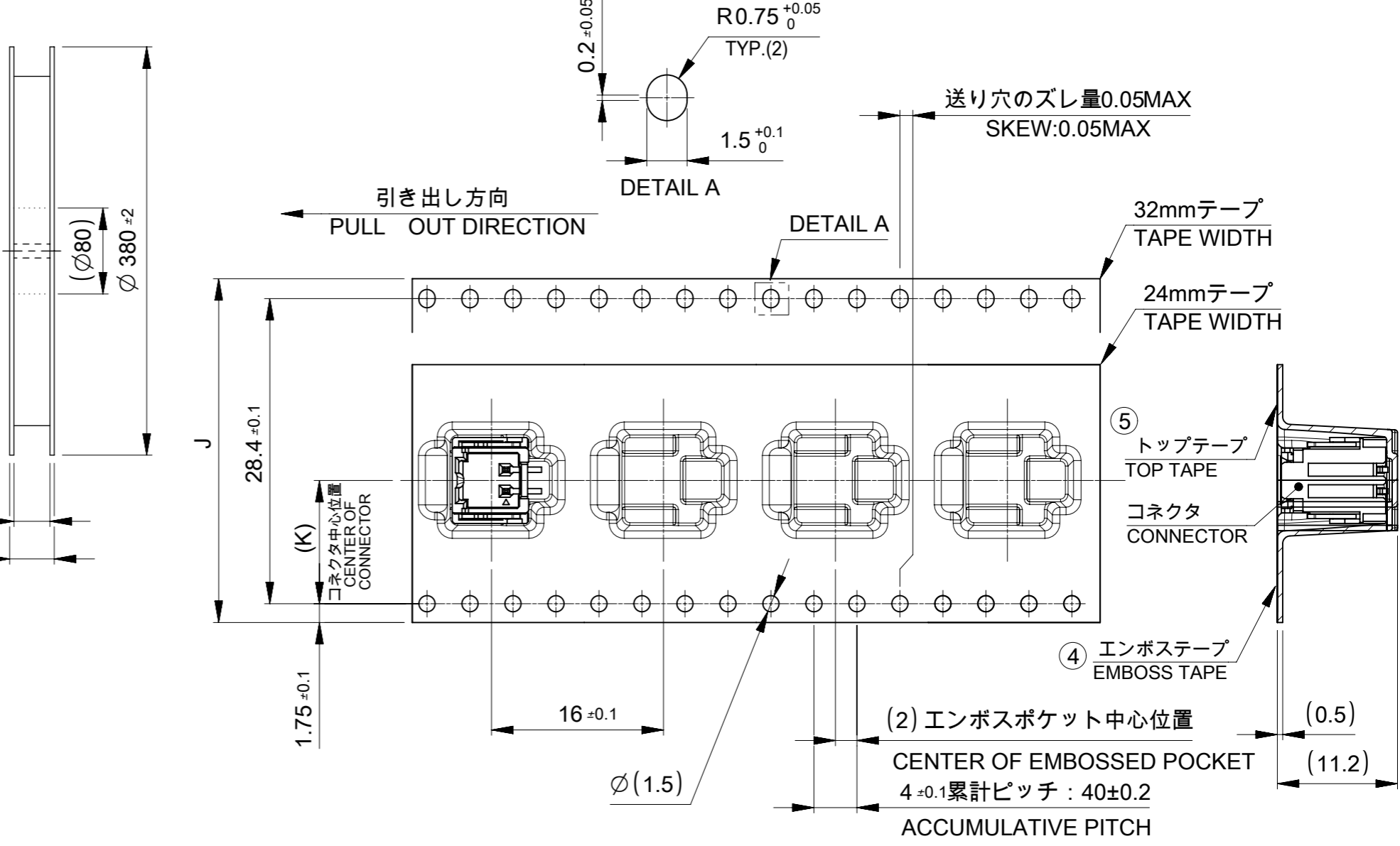
11. 梱包数量 : 500個/リール
NUMBER OF CONNECTORS : 500 PIECES/REEL

12. リードテープ長さ
LEAD TAPE LENGTH



13. トップテープの剥離強度はIEC60286-3に準拠。
TOP TAPE PEELING FORCE IS DEFINED BY IEC60286-3.

番号 NO.	部品 PART	材質 MATERIAL
④	エンボステープ EMBOSS TAPE	ポリスチレン(PS)、その他 POLYSTYRENE(PS), etc
⑤	トップテープ TOP TAPE	ポリエチレン(PE)、その他 POLYETHYLENE(PE), etc
⑥	リール REEL	ポリスチレン(PS) <リサイクル材を含む> POLYSTYRENE(PS) <RECYCLE MATERIAL CONTAINED>



14. 発注番号 : SHEET 5 参照
ORDER No. : PLEASE REFER TO SHEET 5 FOR PRODUCT LIST.

205971 0 * * *

極数
CIRCUIT SIZE

- 0 : カバーテープなし NATURAL
WITHOUT COVER TAPE NATURAL
- 1 : カバーテープなし BLACK
WITHOUT COVER TAPE BLACK
- 2 : カバーテープあり NATURAL
WITH COVER TAPE NATURAL
- 3 : カバーテープあり BLACK
WITH COVER TAPE BLACK

37.5	33.5	14.2	32±0.3	8
				7
				6
29.5	25.5	11.5	24 ^{+0.3} _{-0.1}	5
				4
				3
				2
M	L	K	エンボステープ幅 J WIDTH OF TEPE	極数 CIRCUIT SIZE

THIS DRAWING CONTAINS INFORMATION THAT IS PROPRIETARY TO MOLEX ELECTRONIC TECHNOLOGIES, LLC AND SHOULD NOT BE USED WITHOUT WRITTEN PERMISSION

DIMENSION UNITS	SCALE	CURRENT REV DESC.
mm	NTS	
GENERAL TOLERANCES (UNLESS SPECIFIED)		
ANGULAR TOL	±	°
4 PLACES	±	
3 PLACES	±	
2 PLACES	±	
1 PLACE	±	
0 PLACES	±	
DRAFT WHERE APPLICABLE MUST REMAIN WITHIN DIMENSIONS		
THIRD ANGLE PROJECTION		
DRAWING	SERIES	MATERIAL NUMBER
A3-SIZE	205971	SEE TABLE
CUSTOMER		
GENERAL		
SHEET NUMBER		
4 OF 5		

EC NO: 641153
DRWN: HKOBAYASHI 2018/06/28
CHK'D: AIDA 2020/07/10
APPR: SAKIYAMA 2020/07/10

INITIAL REVISION:
DRWN: TGREGORI 2018/02/16
APPR: SAKIYAMA 2020/07/10

DOCUMENT NUMBER: 2059710000-SD
DOC TYPE: PSD
DOC PART: 000
REVISION: A

molex
MICRO-ONE 2.0W/B HEAD ASSEMBLY VERTICAL
PRODUCT CUSTOMER DRAWING

△ 製品一覧 PRODUCT LIST

WITH COVER TAPE		WITHOUT COVER TAPE		
HOUSING COLOR BLACK	HOUSING COLOR NATURAL	HOUSING COLOR BLACK	HOUSING COLOR NATURAL	
2059710083	2059710082	2059710081	2059710080	8
↑ 0073	↑ 0072	↑ 0071	↑ 0070	7
0063	0062	0061	0060	6
0053	0052	0051	0050	5
0043	0042	0041	0040	4
↓ 0033	↓ 0032	↓ 0031	↓ 0030	3
2059710023	2059710022	2059710021	2059710020	2
発注番号 ORDER No.				極数
梱包形態 : エンボスリール PACKAGE:EMBOSSED REEL				CIRCUIT SIZE

THIS DRAWING CONTAINS INFORMATION THAT IS PROPRIETARY TO MOLEX ELECTRONIC TECHNOLOGIES, LLC AND SHOULD NOT BE USED WITHOUT WRITTEN PERMISSION										
DIMENSION UNITS	SCALE	CURRENT REV DESC:					molex			
mm	NTS									
GENERAL TOLERANCES (UNLESS SPECIFIED)							MICRO-ONE 2.0W/B HEAD ASSEMBLY VERTICAL			
ANGULAR TOL	± °						PRODUCT CUSTOMER DRAWING			
4 PLACES	±	EC NO: 641153					DOCUMENT NUMBER			
3 PLACES	±	DRWN: HKOBAYASHI 2018/06/28					2059710000-SD			
2 PLACES	±	CHK'D: AIDA 2020/07/10					DOC TYPE			
1 PLACE	±	APPR: SAKIYAMA 2020/07/10					PSD			
0 PLACES	±	INITIAL REVISION:					DOC PART			
DRAFT WHERE APPLICABLE MUST REMAIN WITHIN DIMENSIONS		DRWN: TGREGORI 2018/02/16					000			
		APPR: SAKIYAMA 2020/07/10					A			
		THIRD ANGLE PROJECTION	DRAWING	SERIES	MATERIAL NUMBER	CUSTOMER	SHEET NUMBER			
			A3-SIZE	205971	SEE TABLE	GENERAL	5 OF 5			