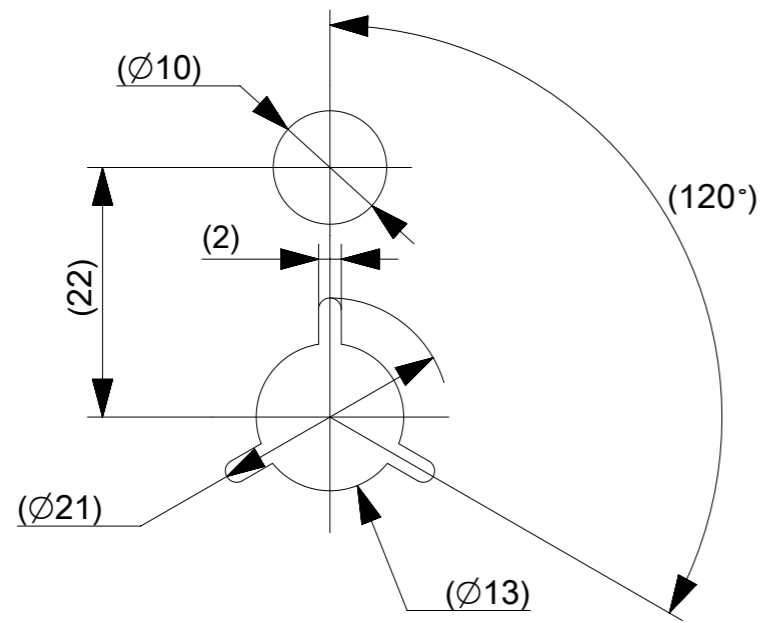
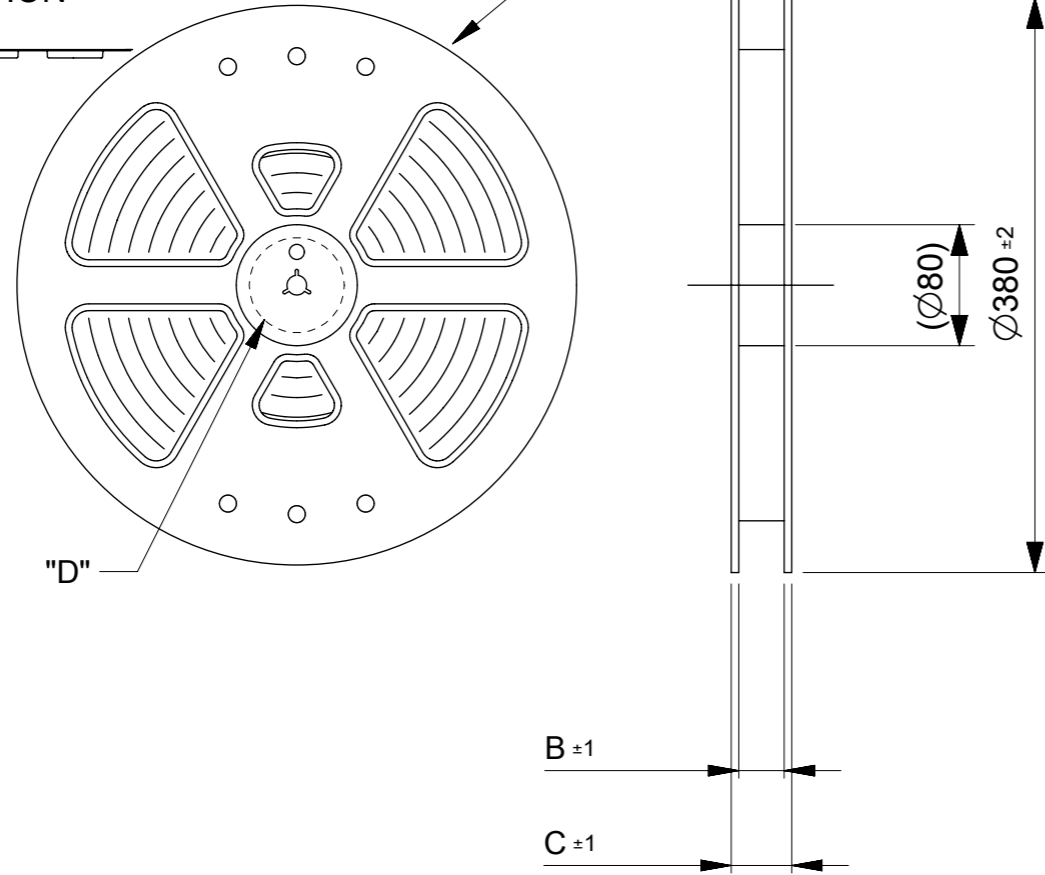


PULL OUT DIRECTION

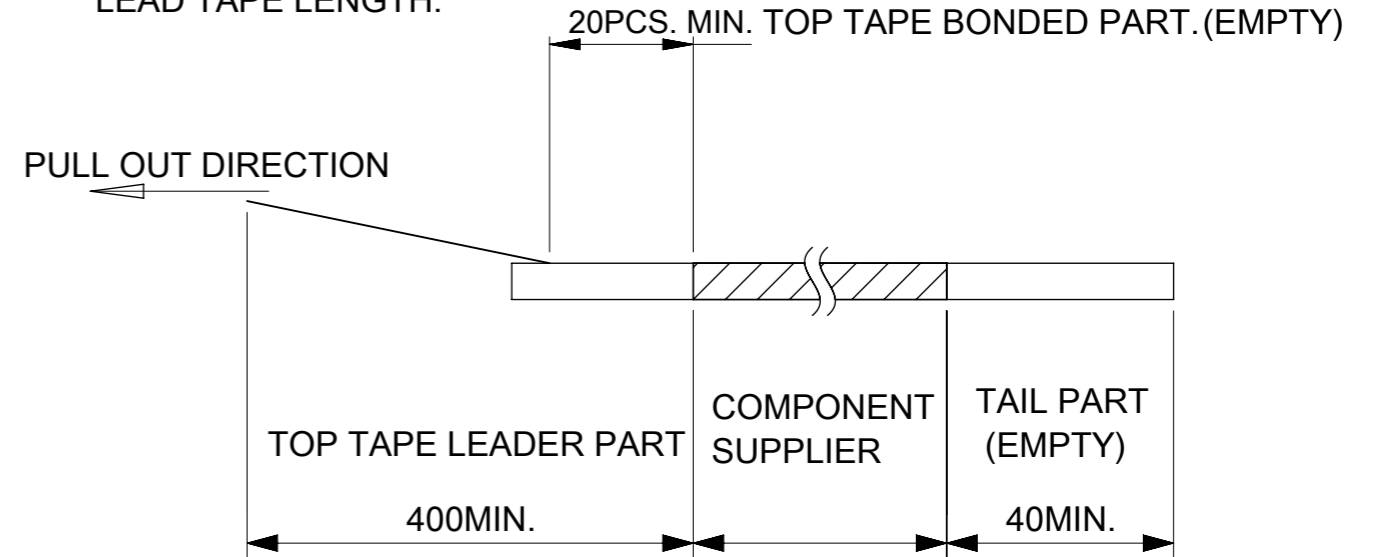
REEL



DETAIL "D"

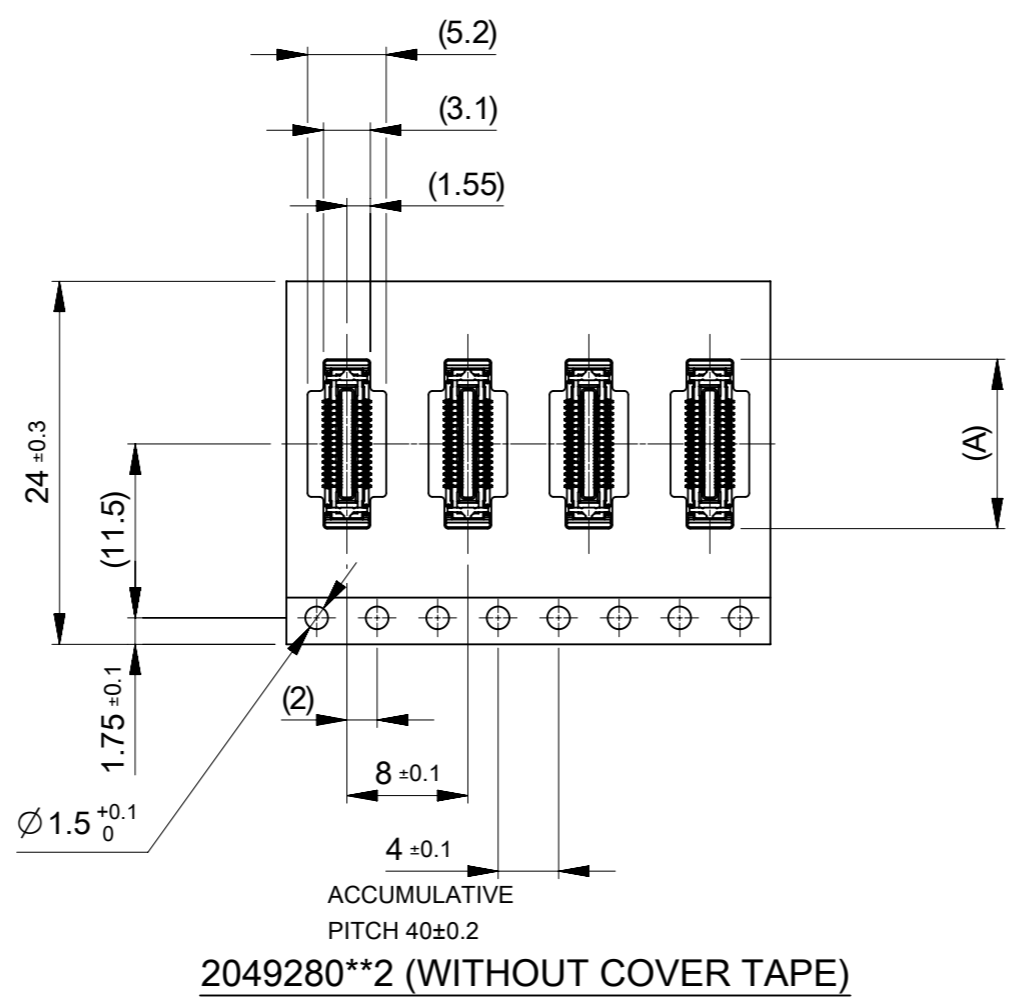
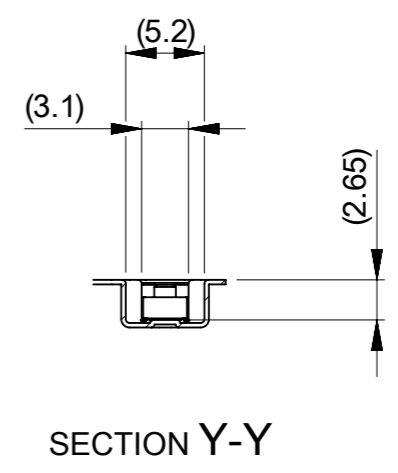
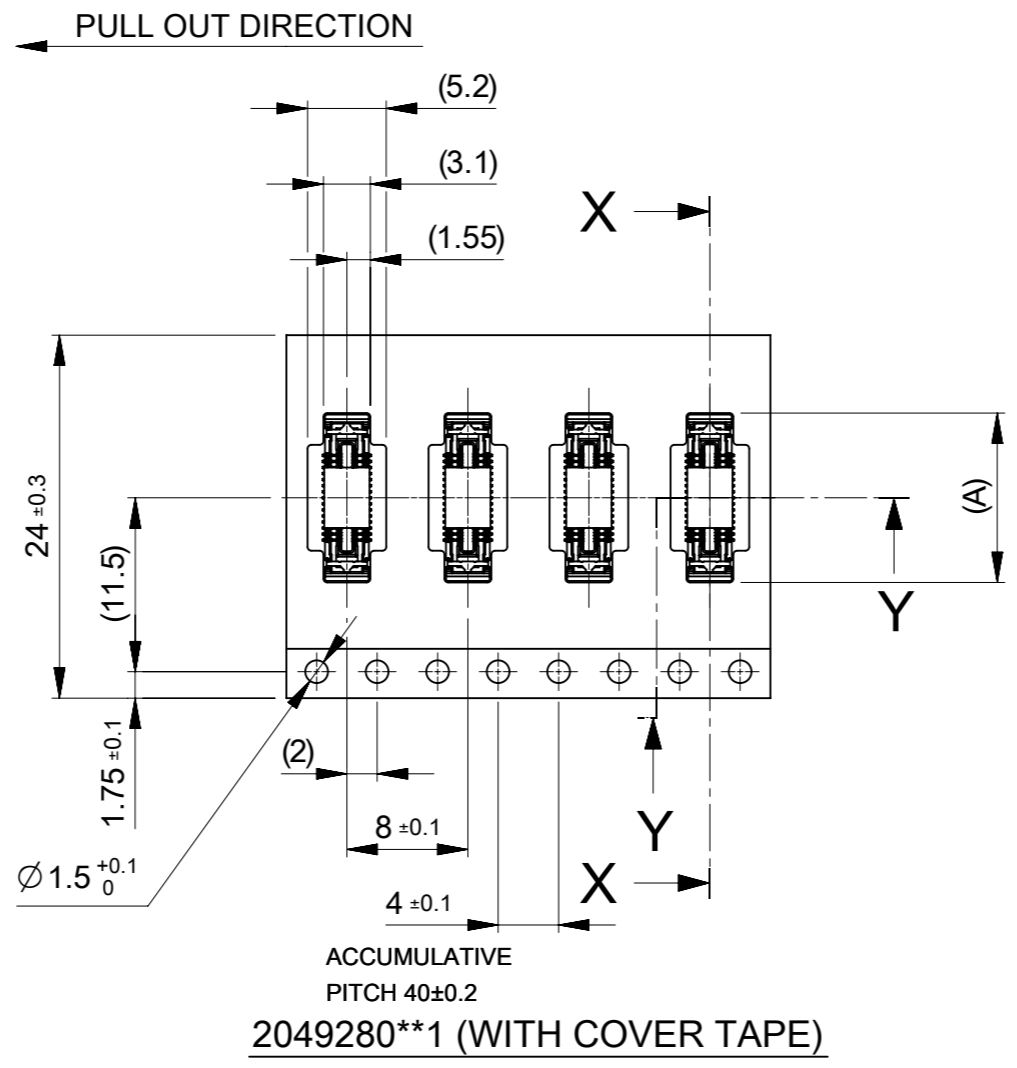
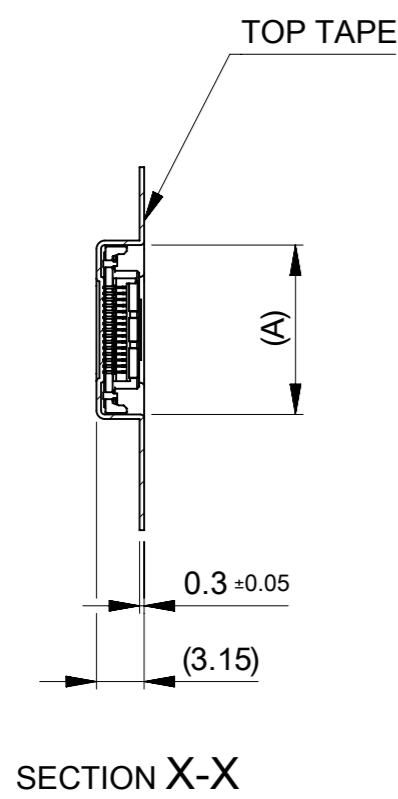
NOTES

1. RE DETAILED DIMENSION, SEE PRODUCT DRAWING.
2. NUMBER OF CONNECTORS : 3000 PCS/REEL.
3. LEAD TAPE LENGTH.



4. TOP TAPE PEEL FORCE IS DEFINED BY IEC60286-3
5. MATERIAL
 CARRIER TAPE : POLYSTYRENE
 TOP TAPE : PET , OTHER
 REEL : POLYSTYRENE(PS)(RECYCLE MATERIAL CONTAINED)

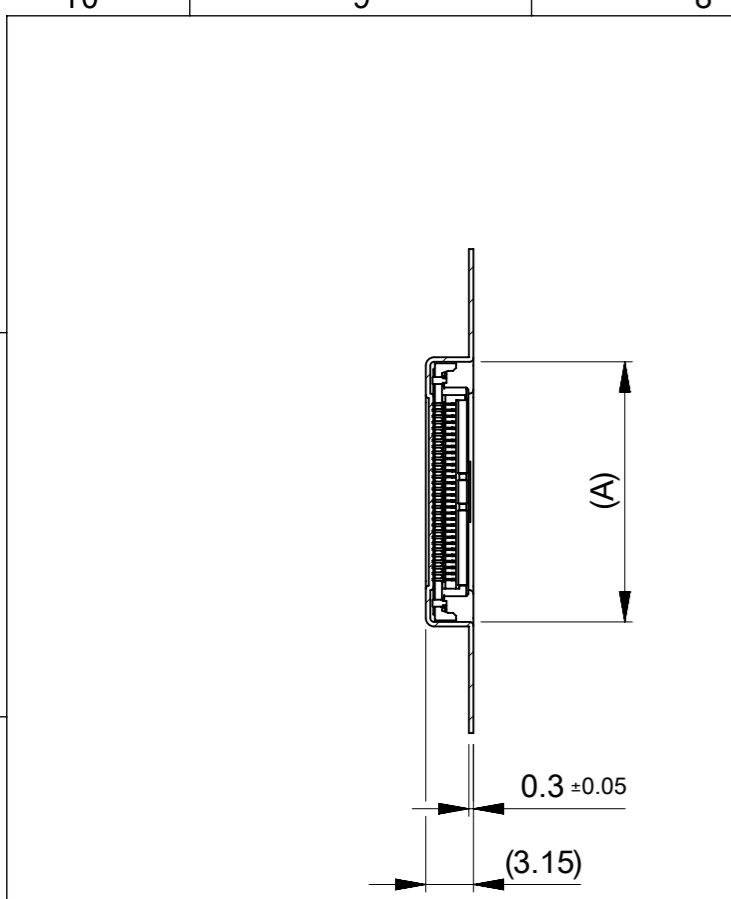
THIS DRAWING CONTAINS INFORMATION THAT IS PROPRIETARY TO MOLEX ELECTRONIC TECHNOLOGIES, LLC AND SHOULD NOT BE USED WITHOUT WRITTEN PERMISSION									
DIMENSION UNITS		SCALE		CURRENT REV DESC:				molex	
mm		1:5							
GENERAL TOLERANCES (UNLESS SPECIFIED)				EC NO: 663038				0.4 FLOATING BOARD TO BOARD CONN. H=3	
ANGULAR TOL ± 1.0°				DRWN: AHMADI2 2020/12/21				FSB3 PLUG EMBOSS TAPE PKG	
4 PLACES ± 0.01				CHK'D: TKON 2021/05/21				PRODUCT CUSTOMER DRAWING	
3 PLACES ± 0.03				APPR: SHOSHIKAWA 2021/05/21				DOCUMENT NUMBER	
2 PLACES ± 0.05				INITIAL REVISION:				2049280000-SD	
1 PLACE ± 0.1				DRWN: JFURUKAWA 2019/02/01				DOC TYPE	
0 PLACES ± 0.2				APPR: SHOSHIKAWA 2020/05/20				PSD	
DRAFT WHERE APPLICABLE MUST REMAIN WITHIN DIMENSIONS		THIRD ANGLE PROJECTION		DRAWING		SERIES		REVISION	
				A3-SIZE		204928		000 C	
MATERIAL NUMBER				CUSTOMER		SHEET NUMBER			
GENERAL				GENERAL		1 OF 3			



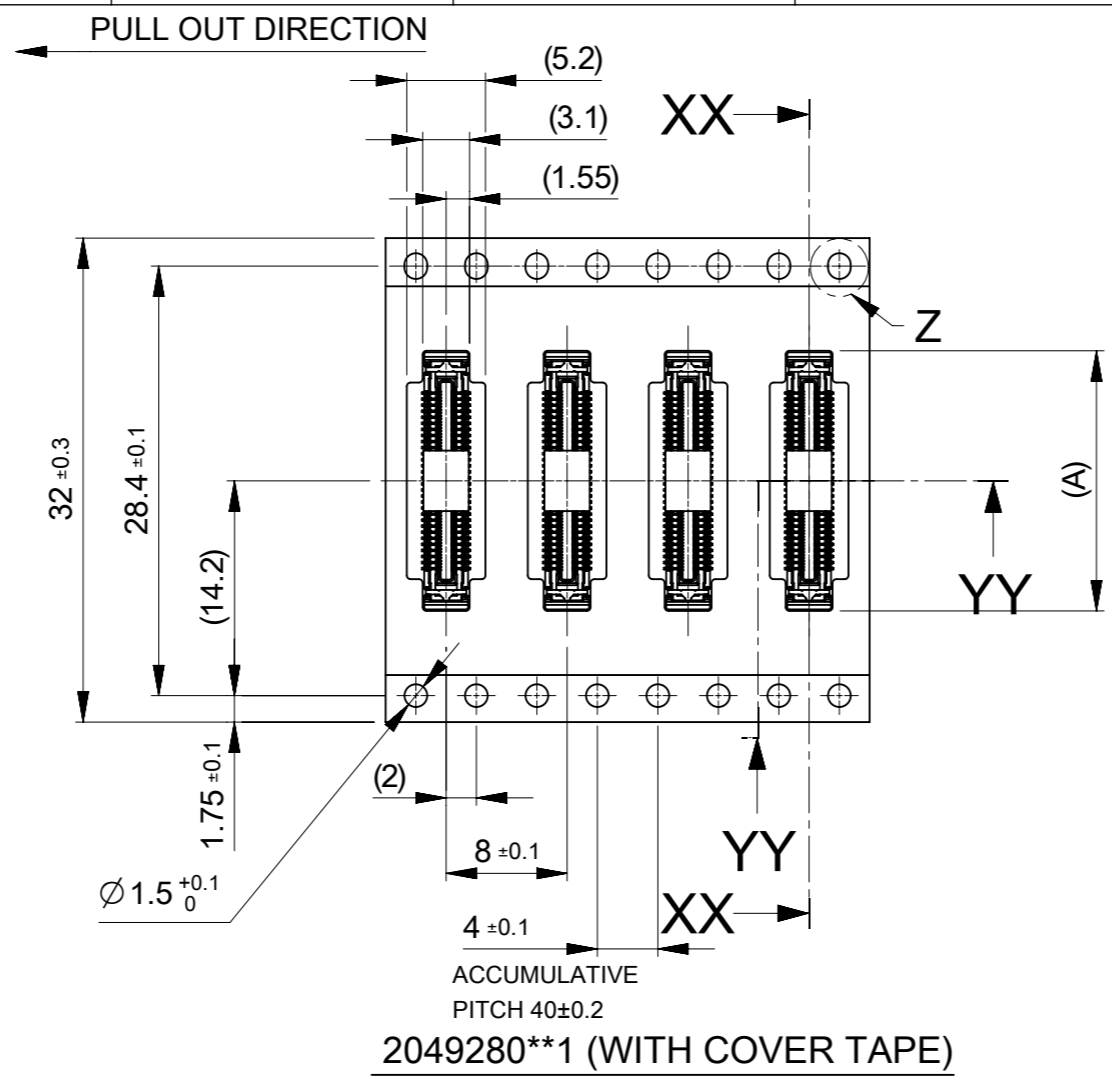
29.4	25.4	15.2	2049280502	2049280501	50
		13.2	2049280402	2049280401	40
		11.2	2049280302	2049280301	30
		9.2	2049280202	2049280201	20
C	B	(A)	WITHOUT COVER TAPE	WITH COVER TAPE	CIRCUIT
ORDER No.					

THIS DRAWING CONTAINS INFORMATION THAT IS PROPRIETARY TO MOLEX ELECTRONIC TECHNOLOGIES, LLC AND SHOULD NOT BE USED WITHOUT WRITTEN PERMISSION

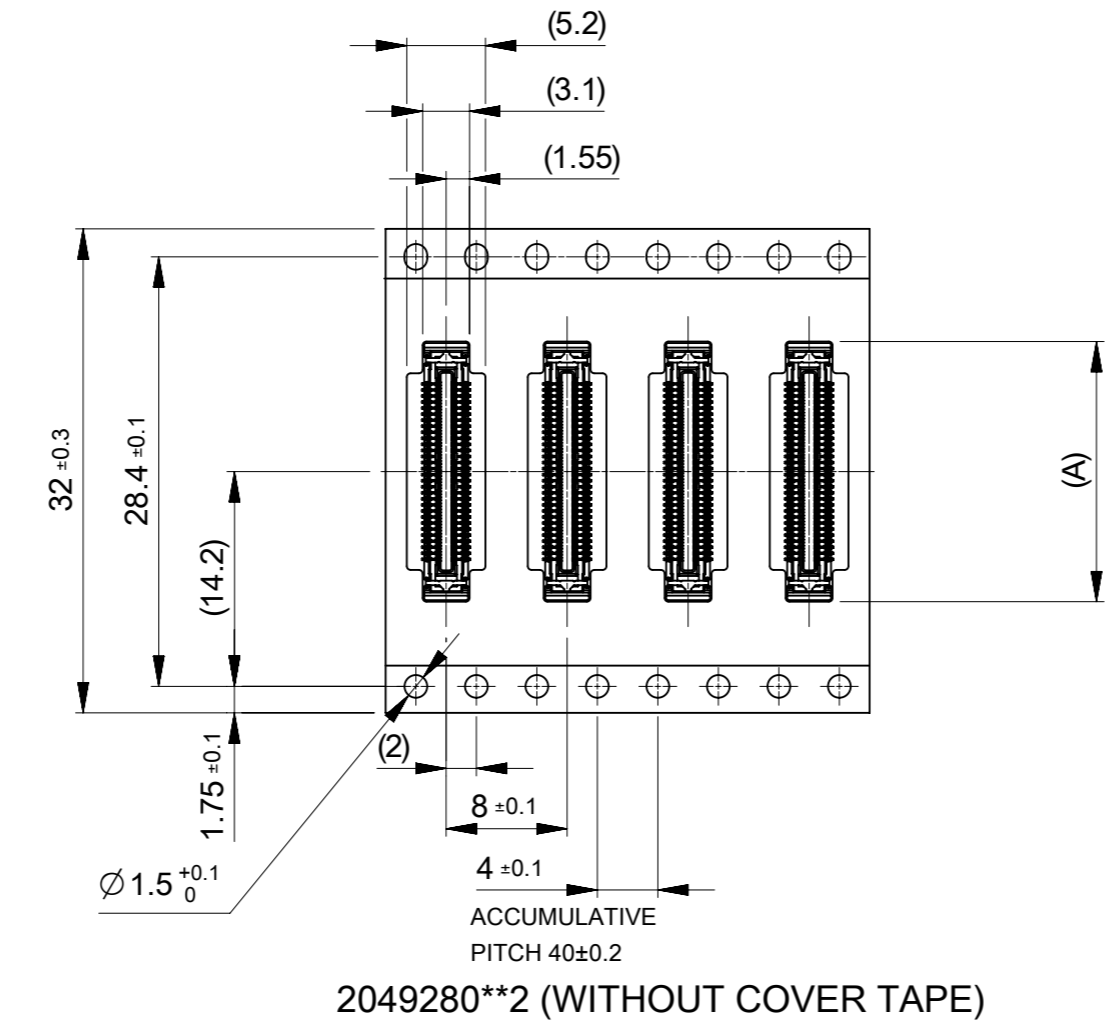
DIMENSION UNITS	SCALE	CURRENT REV DESC:			
mm	2:1	<p>molex</p> <p>0.4 FLOATING BOARD TO BOARD CONN. H=3 FSB3 PLUG EMBOSTAPE PKG</p> <p>PRODUCT CUSTOMER DRAWING</p> <p>DOCUMENT NUMBER: 2049280000-SD DOC TYPE: PSD DOC PART: 000 REVISION: C</p> <p>MATERIAL NUMBER: 204928 CUSTOMER: GENERAL SHEET NUMBER: 2 OF 3</p>			
GENERAL TOLERANCES (UNLESS SPECIFIED)					
ANGULAR TOL	± 1.0°				
4 PLACES	± 0.01				
3 PLACES	± 0.03				
2 PLACES	± 0.05				
1 PLACE	± 0.1				
0 PLACES	± 0.2	EC NO: 663038	2020/12/21		
DRAFT WHERE APPLICABLE MUST REMAIN WITHIN DIMENSIONS		DRWN: AHMADI2	2021/05/21		
THIRD ANGLE PROJECTION		CHK'D: TKON	2021/05/21		
DRAWING		APPR: SHOSHIKAWA	2021/05/21		
SERIES		INITIAL REVISION:			
A3-SIZE		DRWN: JFURUKAWA	2019/02/01		
204928		APPR: SHOSHIKAWA	2020/05/20		



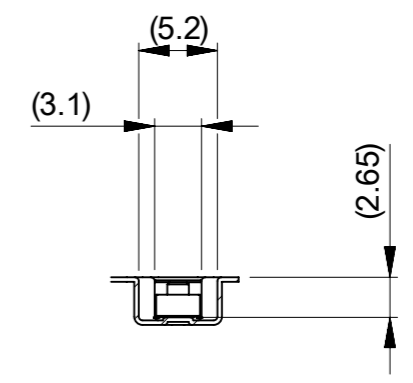
SECTION XX-XX



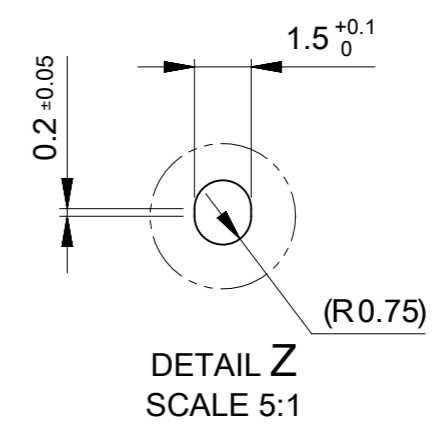
2049280**1 (WITH COVER TAPE)



2049280**2 (WITHOUT COVER TAPE)



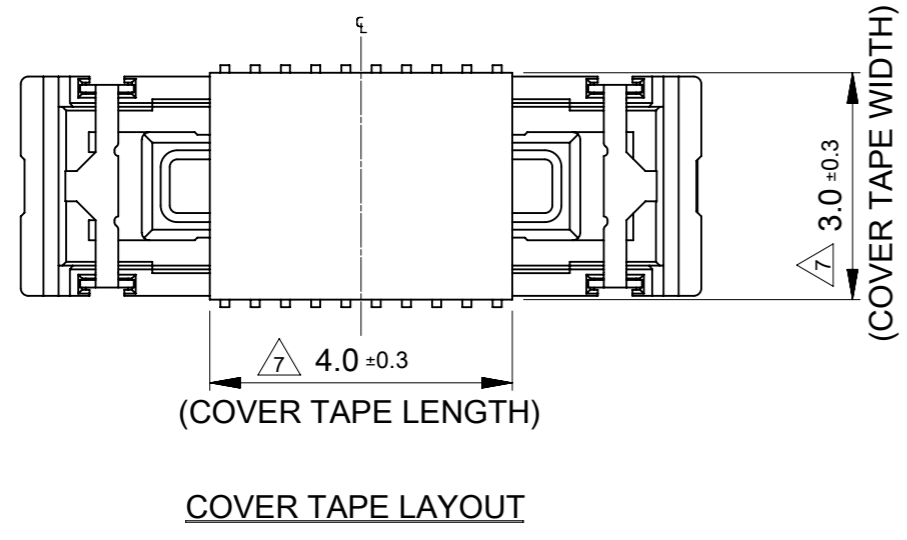
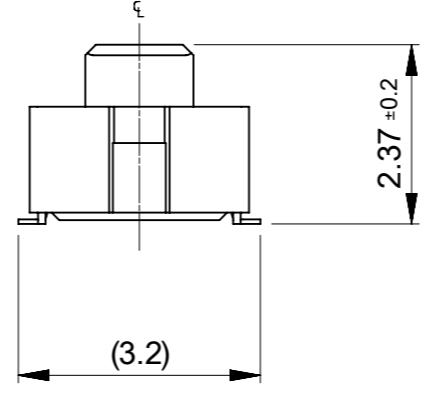
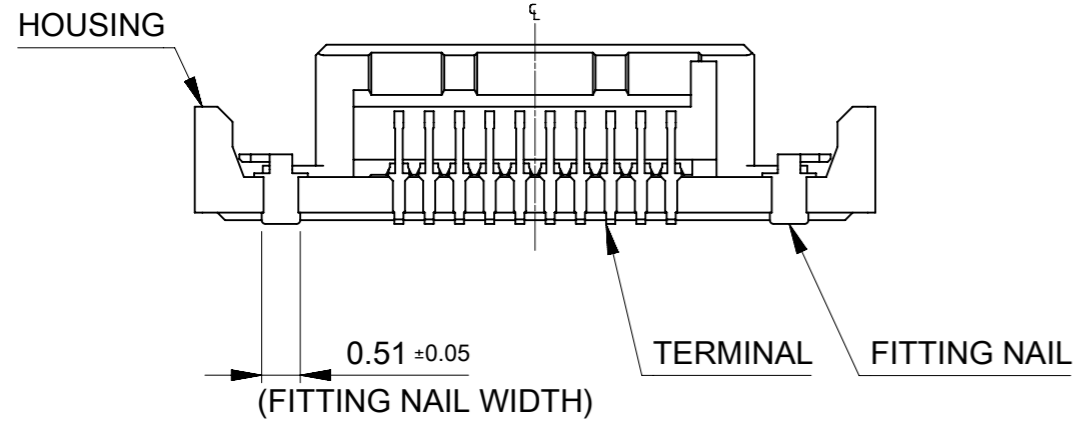
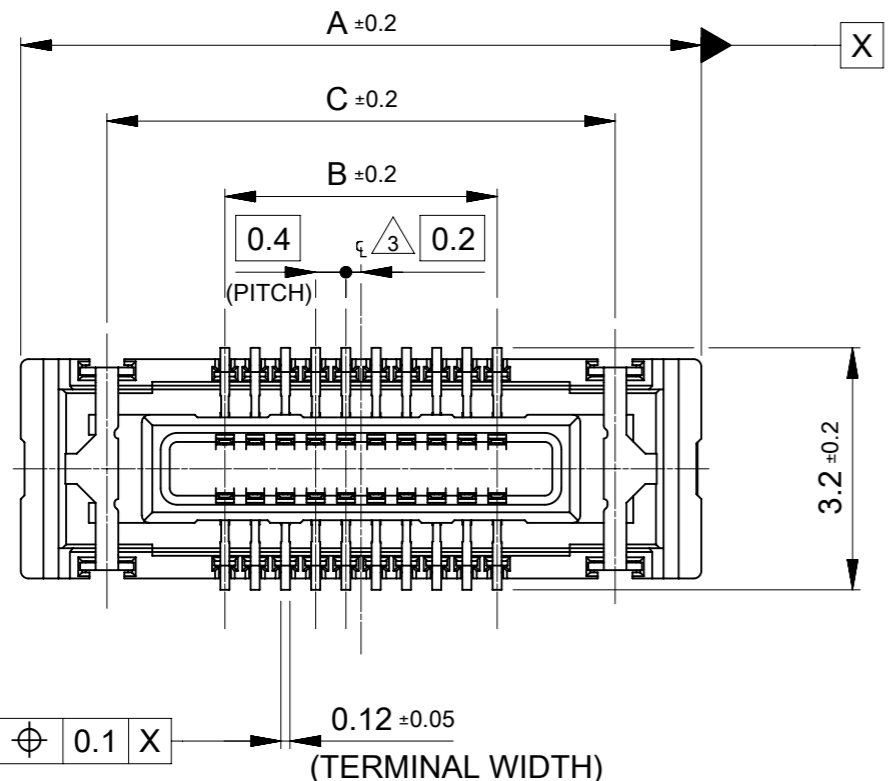
SECTION YY-YY



DETAIL Z SCALE 5:1

37.4	33.4	17.2	2049280602	2049280601	60
C	B	(A)	WITHOUT COVER TAPE	WITH COVER TAPE	CIRCUIT
ORDER No.					

THIS DRAWING CONTAINS INFORMATION THAT IS PROPRIETARY TO MOLEX ELECTRONIC TECHNOLOGIES, LLC AND SHOULD NOT BE USED WITHOUT WRITTEN PERMISSION					
DIMENSION UNITS mm		SCALE 2:1		CURRENT REV DESC:	
GENERAL TOLERANCES (UNLESS SPECIFIED)					
ANGULAR TOL ± 1.0°					
4 PLACES ± 0.01					
3 PLACES ± 0.03					
2 PLACES ± 0.05					
1 PLACE ± 0.1					
0 PLACES ± 0.2					
DRAFT WHERE APPLICABLE MUST REMAIN WITHIN DIMENSIONS		THIRD ANGLE PROJECTION		DRAWING A3-SIZE	
SERIES 204928		MATERIAL NUMBER		CUSTOMER GENERAL	
EC NO: 663038		DRWN: AHMADI2		2020/12/21	
CHK'D: TKON		APPR: SHOSHIKAWA		2021/05/21	
INITIAL REVISION:		DRWN: JFURUKAWA		2019/02/01	
APPR: SHOSHIKAWA		2020/05/20		DOCUMENT NUMBER 2049280000-SD	
DOC TYPE PSD		DOC PART 000		REVISION C	
SHEET NUMBER 3 OF 3					



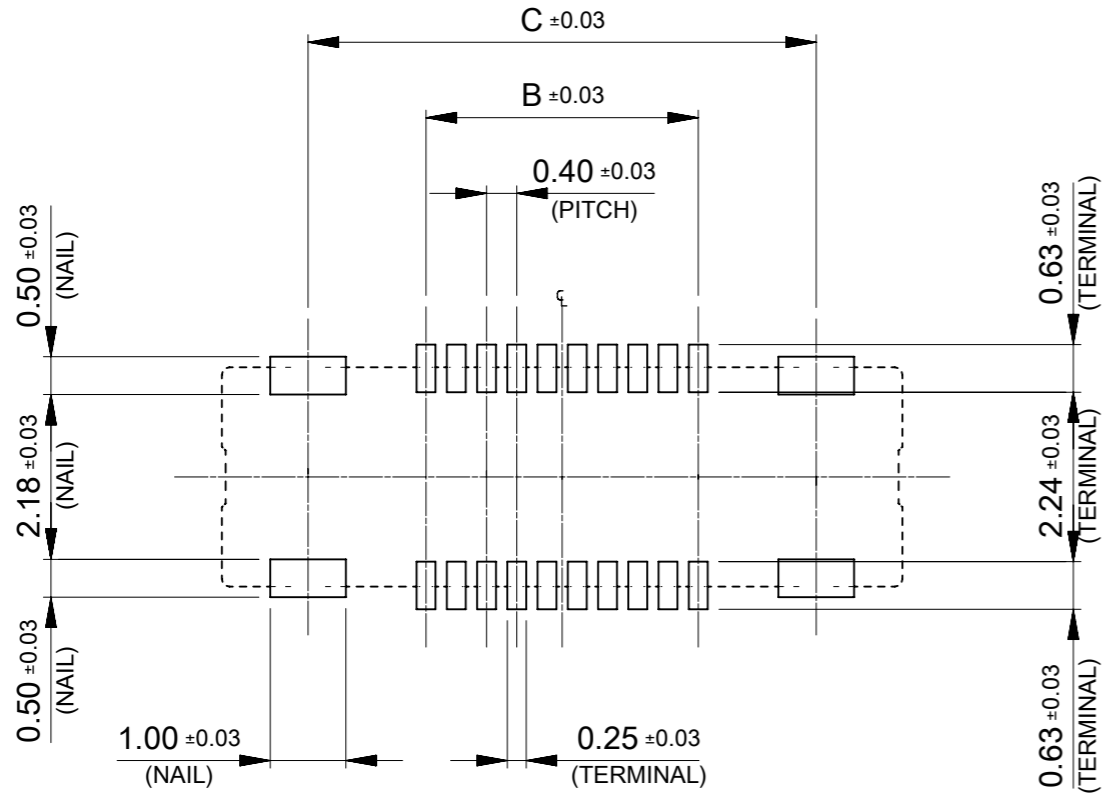
NOTES

- 1 MATERIAL
HOUSING: LIQUID CRYSTAL POLYMER UL94V-0 (COLOR :BLACK)
TERMINAL: COPPER ALLOY
FITTING NAIL: COPPER ALLOY
COVER TAPE: POLYIMIDE
- 2 PLATING
TERMINAL :
CONTACT AREA: GOLD PLATING.
SOLDER TAIL AREA: GOLD PLATING.
UNDERPLATING: NICKEL OVERALL.
*DIVIDE INTO PARTS THE GOLD PLATING OF CONTACT AREA AND TAIL AREA BY THE NICKEL PLATING.
FITTING NAIL:
SURFACE:TIN OVERALL
UNDERPLATING: NICKEL OVERALL.
- △3 APPLY FOR (CIRCUIT/2)=EVEN.
- 4 MATE WITH :204927****
- 5 TAIL AND FITTING NAIL COPLANARITY TO BE 0.1MAXIMUM.
- △6 STACK HEIGHT IS KEPT FIXED BY SPACER.
- △7 COMMON LENGTH TO ALL CIRCUIT.
- △8 THIS DIMENSION SHOWS THE DIMENSION BETWEEN SOLDERING SURFACE OF SOLDER TAILS.

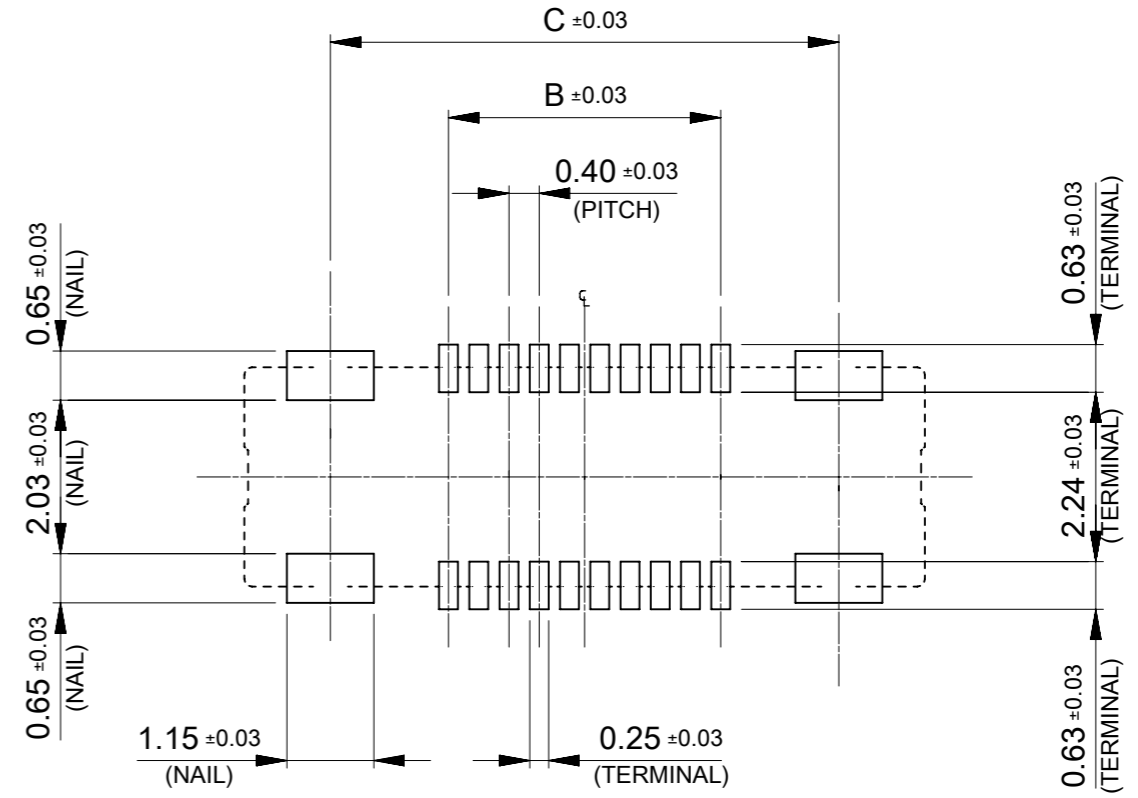
14.72	11.6	17	2049280602	2049280601	60
12.72	9.6	15	2049280502	2049280501	50
10.72	7.6	13	2049280402	2049280401	40
8.72	5.6	11	2049280302	2049280301	30
6.72	3.6	9	2049280202	2049280201	20
C	B	A	WITHOUT COVER TAPE	WITH COVER TAPE	CIRCUIT
			EMBOSSED TAPE PACKAGE		
			ORDER NO.		

THIS DRAWING CONTAINS INFORMATION THAT IS PROPRIETARY TO MOLEX ELECTRONIC TECHNOLOGIES, LLC AND SHOULD NOT BE USED WITHOUT WRITTEN PERMISSION

DIMENSION UNITS mm	SCALE 10:1	CURRENT REV DESC:		molex		
GENERAL TOLERANCES (UNLESS SPECIFIED)		EC NO: 663038				
ANGULAR TOL ± 3.0°	4 PLACES ± 0.03	DRWN: AHMADI2	2020/12/21	PRODUCT CUSTOMER DRAWING		
3 PLACES ± 0.03	2 PLACES ± 0.05	CHK'D: TKON	2021/05/21	DOCUMENT NUMBER		
1 PLACE ± 0.1	0 PLACES ± 0.2	APPR: SHOSHIKAWA	2021/05/21	2049281000-SD		
DRAFT WHERE APPLICABLE MUST REMAIN WITHIN DIMENSIONS		INITIAL REVISION:	2018/11/26	DOC TYPE	DOC PART	REVISION
THIRD ANGLE PROJECTION		DRWN: JFURUKAWA	2020/05/20	PSD	000	D
DRAWING		APPR: SHOSHIKAWA		CUSTOMER	SHEET NUMBER	
A3-SIZE		SERIES	204928	GENERAL	1 OF 2	

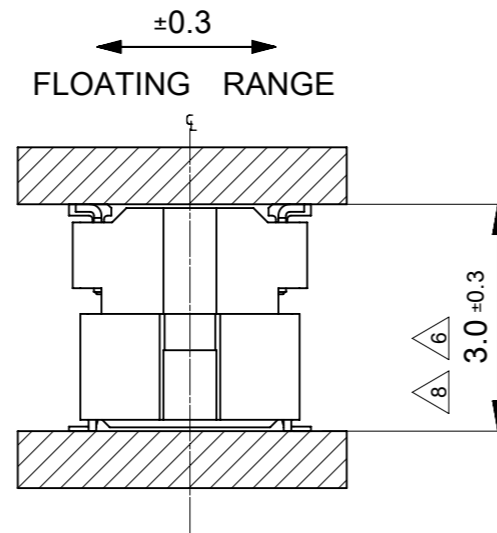
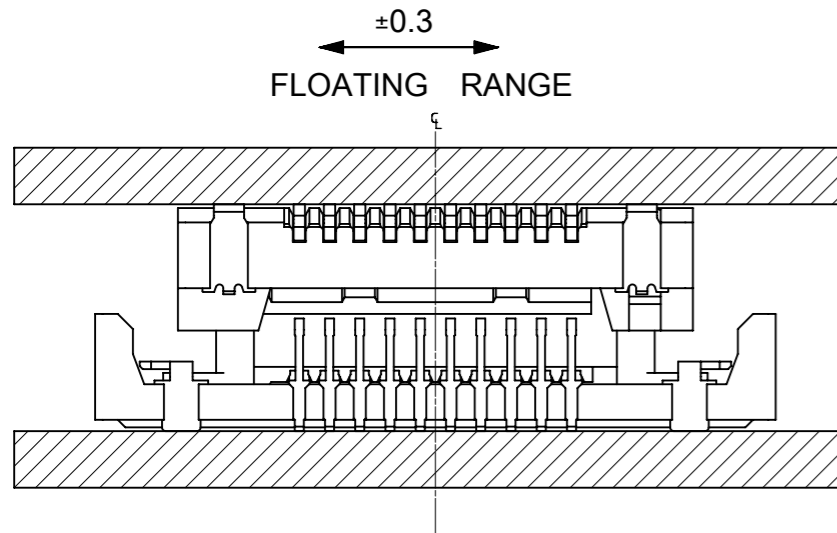


RECOMMENDED P.W.BOARD PATTERN LAYOUT(REFERENCE)



RECOMMENDED METAL MASK LAYOUT(REFERENCE)

RECOMMENDED THICKNESS OF METAL MASK : t=0.1mm
 RECOMMENDED OPEN APERTURE RATIO OF METAL MASK : TERMINAL 100%, NAIL 150%



THIS DRAWING CONTAINS INFORMATION THAT IS PROPRIETARY TO MOLEX ELECTRONIC TECHNOLOGIES, LLC AND SHOULD NOT BE USED WITHOUT WRITTEN PERMISSION		CURRENT REV DESC:		molex	
DIMENSION UNITS	SCALE				
mm	10:1			0.4 FLOATING BOARD TO BOARD CONN. H=3 FSB3 PLUG ASSY	
GENERAL TOLERANCES (UNLESS SPECIFIED)				PRODUCT CUSTOMER DRAWING	
ANGULAR TOL	± 3.0 °			DOCUMENT NUMBER	
4 PLACES	± 0.03	EC NO: 663038	2020/12/21	2049281000-SD	
3 PLACES	± 0.03	DRWN: AHMADI2	2021/05/21	DOC TYPE	DOC PART
2 PLACES	± 0.05	CHK'D: TKON	2021/05/21	PSD	000
1 PLACE	± 0.1	APPR: SHOSHIKAWA		REVISION	
0 PLACES	± 0.2	INITIAL REVISION:		D	
DRAFT WHERE APPLICABLE MUST REMAIN WITHIN DIMENSIONS		DRWN: JFURUKAWA	2018/11/26	MATERIAL NUMBER	
		APPR: SHOSHIKAWA	2020/05/20	SEE CHART	GENERAL
		THIRD ANGLE PROJECTION	DRAWING	SERIES	SHEET NUMBER
			A3-SIZE	204928	2 OF 2