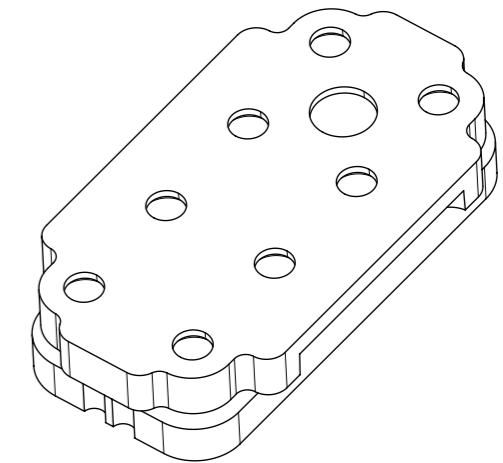
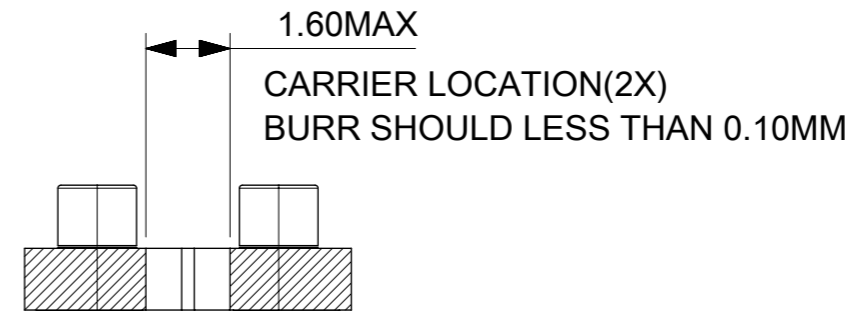
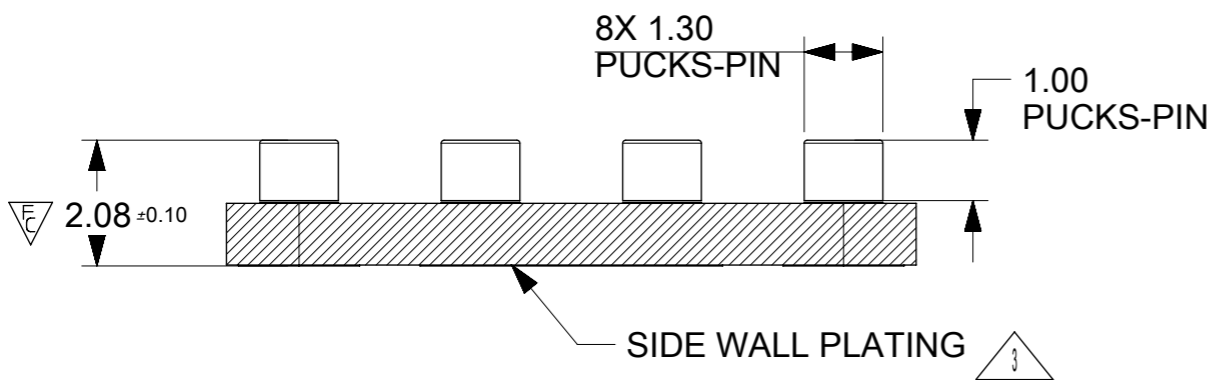


WITHOUT P&P CAP

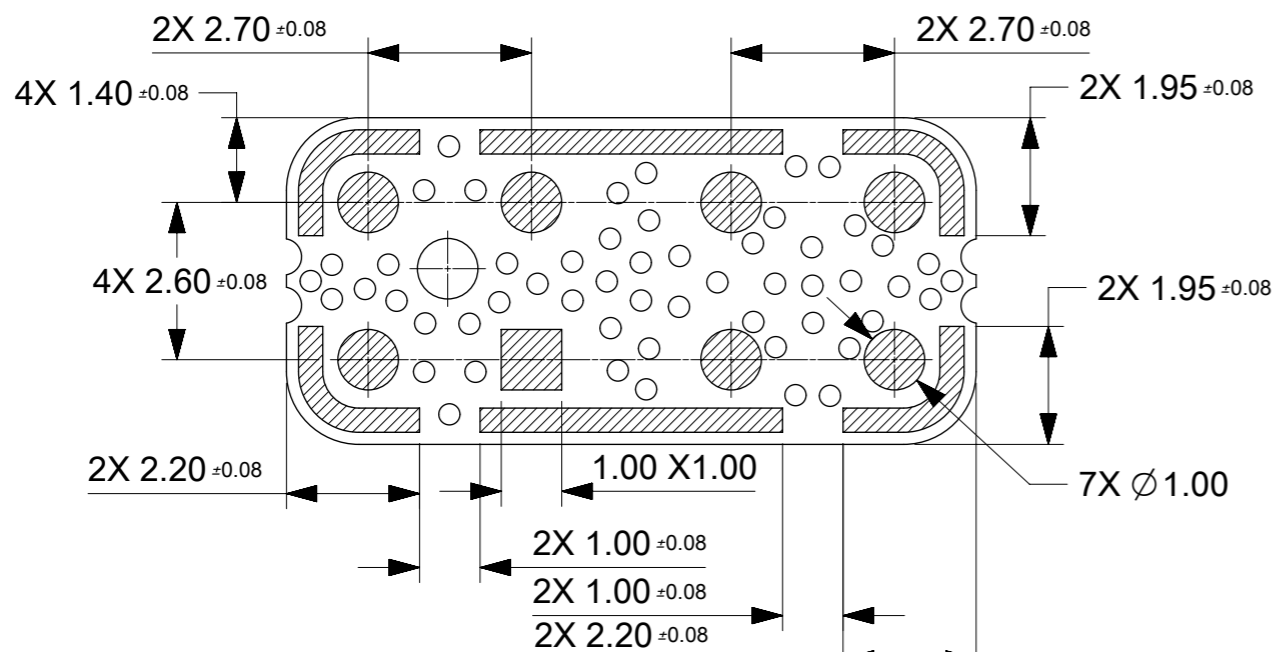


WITH P&P CAP



NOTES:

- MATERIAL :
 PCB: HF,FR-4
 PUCKS : PHOS-BRONZE
- PEELING FORCE: 20N MIN
- SIDE WALL HAVE GOLD PLATING.
- PACKAGE: TAPE AND REEL, DETAIL SEE DRAWING 2026773000.
- COMPLIANT TO RoHS DIRECTIVE 2011/65/EU/AND ELV DIRECTIVE 2000/53 EC.



QUALITY SYMBOLS	THIS DRAWING CONTAINS INFORMATION THAT IS PROPRIETARY TO MOLEX ELECTRONIC TECHNOLOGIES, LLC AND SHOULD NOT BE USED WITHOUT WRITTEN PERMISSION														
	NEW RELEASE	2017/06/20	2017/09/12	GENERAL TOLERANCES (UNLESS SPECIFIED)	DIMENSION UNITS	SCALE									
△ = 0	EC NO: 118053 DRWN: FCHEN11 CHK'D: AYIN APPR: AYIN	NEW RELEASE	2017/06/20	2017/09/12	MM	1:1					INTERPOSER PCBA-2.08				
▽ = 0					DRWN BY	DATE	FCHEN11	2017/06/19							
▽ = 0					4 PLACES ±	3 PLACES ±	2 PLACES ±	1 PLACE ±	0 PLACES ±	CHK'D BY	DATE	PRODUCT CUSTOMER DRAWING			
▽ = 0					±	± 0.1	± 0.15	±	APPR BY	DATE	AYIN				
▽ = 0					DRIFT WHERE APPLICABLE MUST REMAIN WITHIN DIMENSIONS	DRAWING SIZE	THIRD ANGLE PROJECTION	SERIES: 202677 MATERIAL NUMBER: 2026770004 CUSTOMER:							
▽ = 0					A	REV	APPR	A3	DOCUMENT NUMBER: 2026770004 DOC TYPE: PSD DOC PART: 000 SHEET NUMBER: 1 OF 1						