

**PLEASE CHECK WWW.MOLEX.COM FOR LATEST PART INFORMATION**

**Part Number:** [1300130620](#)  
**Status:** **Active**  
**Overview:** Brad Mini-Change Connectors  
**Description:** Mini-Change A-Size Receptacle, 6 Poles, Male (Straight) to 16 AWG Leads, 0.305m (1.0') Length with Mounting Flange

**Documents:**

[Drawing \(PDF\)](#) [RoHS Certificate of Compliance \(PDF\)](#)

**Agency Certification**

CSA LR6837  
 UL E152210

**General**

Product Family Industrial Receptacles  
 Series [130013](#)  
 IP Rating IP67  
 NEMA Rating NEMA 6  
 Overview [Brad Mini-Change Connectors](#)  
 Product Name Mini-Change  
 Taxonomy Circular Industrial Connectors  
 Type Single Ended (pigtail)  
 UPC 78678843956

**Physical**

Coupling Type External Thread  
 Gender Male  
 Keyway Single  
 Length 0.305m  
 Material - Component Gray Anodized Aluminum  
 Mounting Thread Size N/A  
 Orientation Straight  
 Panel Mount Front  
 Poles 6  
 Temperature Range - Operating -20° to +105°C  
 Wire Size AWG 16  
 Wire/Cable Type E152210

**Electrical**

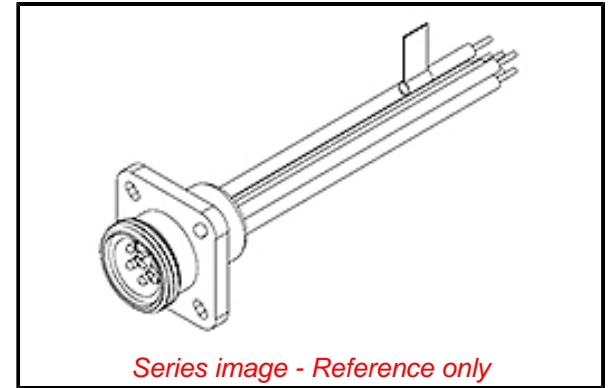
Current - Maximum per Contact 8.0A  
 Voltage - Maximum 600V AC/DC

**Material Info**

Engineering Number 1R6G06A20A120

**Reference - Drawing Numbers**

Sales Drawing SD-130013-022-001



*Series image - Reference only*

**EU ELV**

**Not Reviewed**

**EU RoHS**

**Not Reviewed**

**REACH SVHC**

Not Reviewed

**Halogen-Free**

**Status**

**Not Reviewed**

For more information, please visit [Contact US](#)

China ROHS

Not Reviewed

ELV

Not Reviewed

RoHS Phthalates

Not Reviewed

**Search Parts in this Series**

[130013 Series](#)