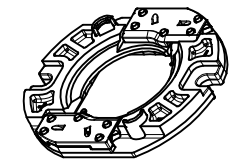
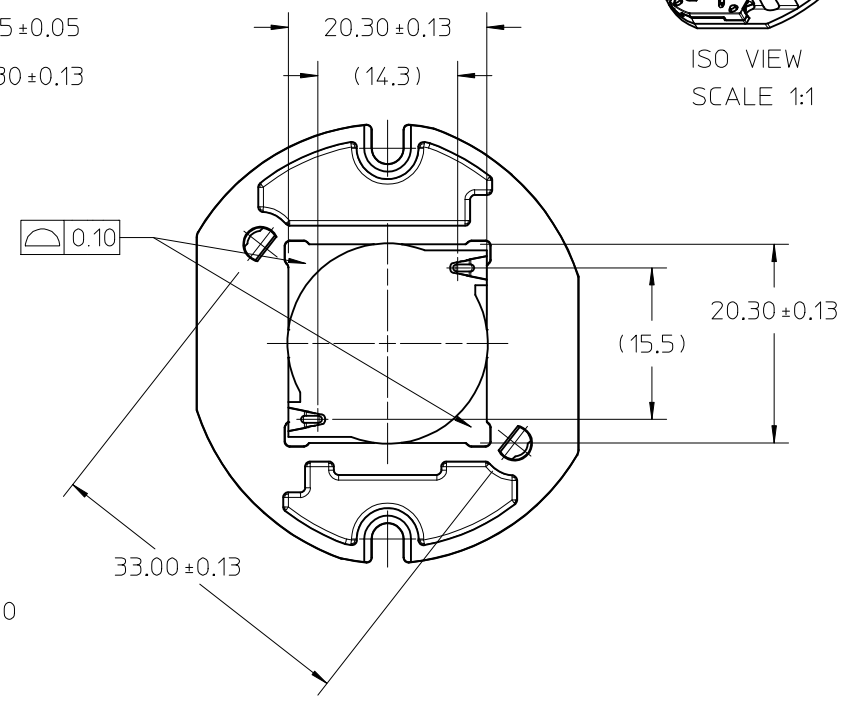
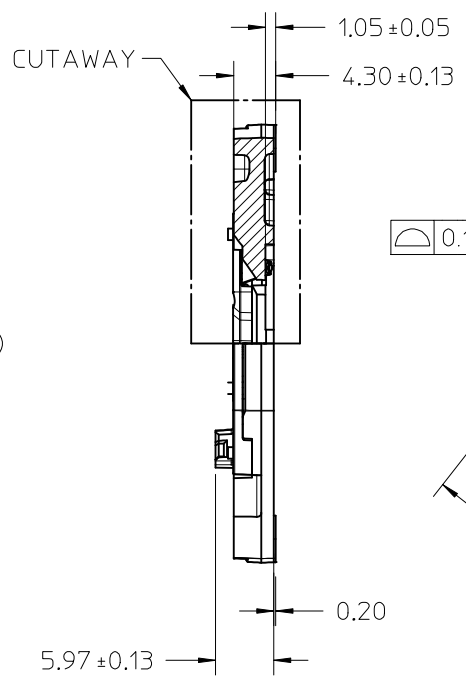
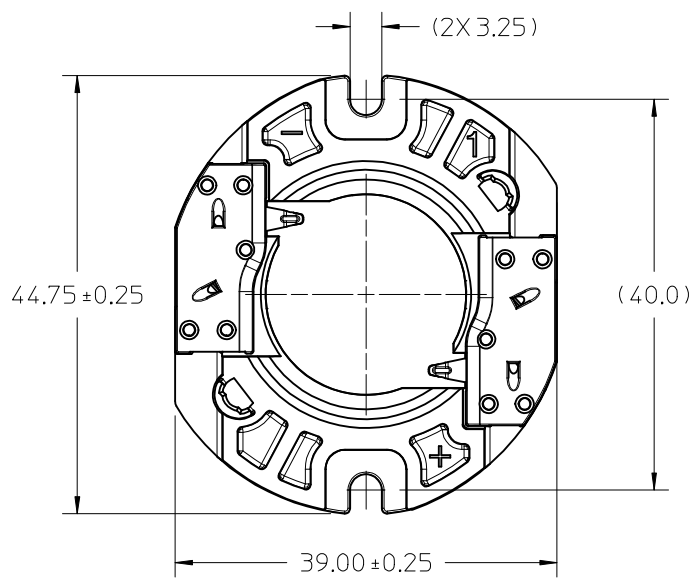


10	9	8	7	6	5	4	3	2	1
PART NUMBER	DESCRIPTION			SHEET					
180885-0001	HOLDER ASSEMBLY WITH STANDARD LENS ATTACH			1					
180885-0002	HOLDER ASSEMBLY WITH RECESSED LENS ATTACH			2					



ISO VIEW
SCALE 1:1

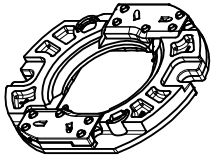


- NOTES
- MATERIALS:
 - HOUSING AND CAPS: PBT 30% GF, COLOR: WHITE, UL94V-0
 - WIRE TRAP TERMINALS: COPPER ALLOY
 - FINISH: SELECT GOLD AND TIN OVER NICKEL
 - APPLICABLE WIRE GAUGE - 18, 20, OR 22 AWG
 - SOLID WIRE IS PREFERRED
 - PRE-TINNED STRANDED WIRE IS ACCEPTABLE
 - STRIP LENGTH 10MM +2.0/-0.0MM IS RECOMMENDED
 - MOUNT HOLDER USING M3 OR 4-40 SCREWS (2), 0.4 NEWTON METERS MIN; 0.8 NEWTON METERS MAX TORQUE
 - THIS PRODUCT IS ELV AND ROHS COMPLIANT

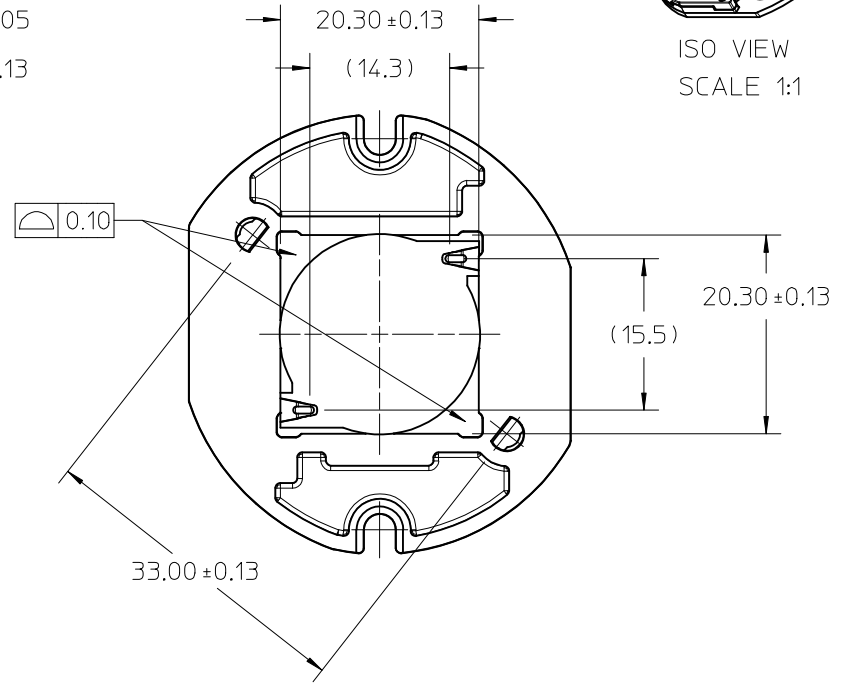
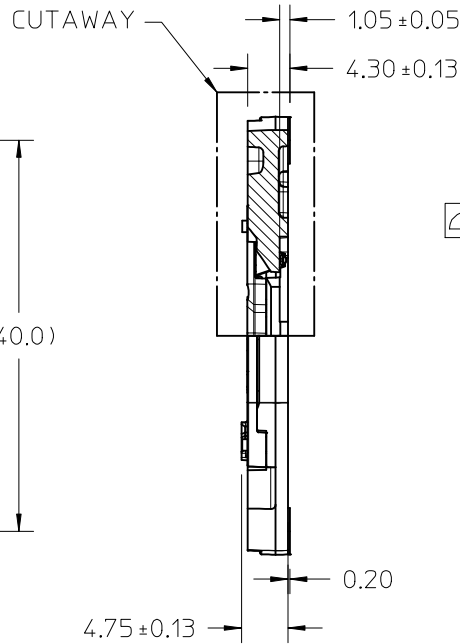
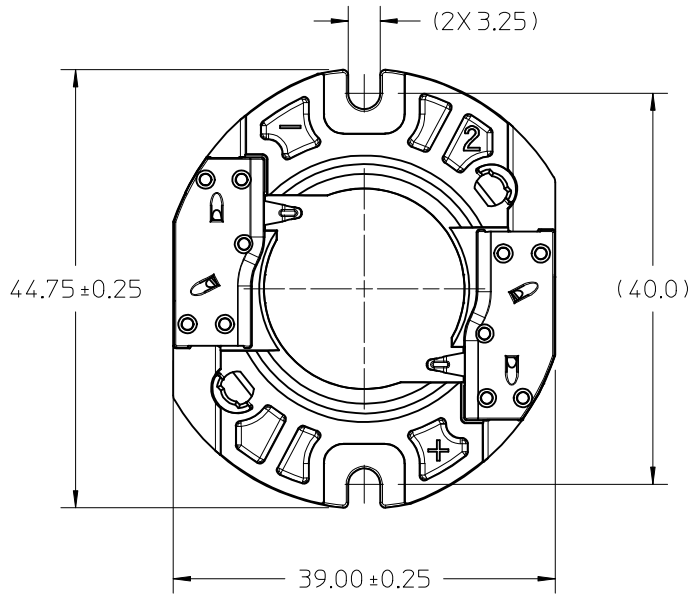
STANDARD LENS ATTACH
P/N 180885-0001

ENTER DESCRIPTION EC NO: SSL2014-0088 DRW: MCOLE 2014/06/02 CHKD: MCOLE 2014/07/24 APPR: DMCGOWAN 2014/07/25 REV A	QUALITY SYMBOLS ▽=0 ▽=0 ▽=0	GENERAL TOLERANCES (UNLESS SPECIFIED) <table border="1"> <tr> <th></th> <th>mm</th> <th>INCH</th> </tr> <tr> <td>4 PLACES</td> <td>±---</td> <td>±---</td> </tr> <tr> <td>3 PLACES</td> <td>±---</td> <td>±---</td> </tr> <tr> <td>2 PLACES</td> <td>±0.13</td> <td>±---</td> </tr> <tr> <td>1 PLACE</td> <td>±0.25</td> <td>±---</td> </tr> <tr> <td>0 PLACE</td> <td>±---</td> <td>±---</td> </tr> </table>		mm	INCH	4 PLACES	±---	±---	3 PLACES	±---	±---	2 PLACES	±0.13	±---	1 PLACE	±0.25	±---	0 PLACE	±---	±---	DIMENSION STYLE MM ONLY DRAWN BY DATE MDEVITO 2013/10/03 CHECKED BY DATE MCOLE 2013/10/10 APPROVED BY DATE DMCGOWAN 2013/12/09	SCALE 2:1 DESIGN UNITS METRIC THIRD ANGLE PROJECTION	TITLE COB LED HOLDER ASSEMBLY 20 MM X 20 MM SQUARE	MATERIAL NO. SEE CHART	DOCUMENT NO. SD-180885-001	SHEET NO. 1 OF 4
		mm	INCH																							
	4 PLACES	±---	±---																							
	3 PLACES	±---	±---																							
2 PLACES	±0.13	±---																								
1 PLACE	±0.25	±---																								
0 PLACE	±---	±---																								
ANGULAR ±1/2° DRAFT WHERE APPLICABLE MUST REMAIN WITHIN DIMENSIONS		THIS DRAWING CONTAINS INFORMATION THAT IS PROPRIETARY TO MOLEX INCORPORATED AND SHOULD NOT BE USED WITHOUT WRITTEN PERMISSION																								

10 9 8 7 6 5 4 3 2 1



ISO VIEW
SCALE 1:1

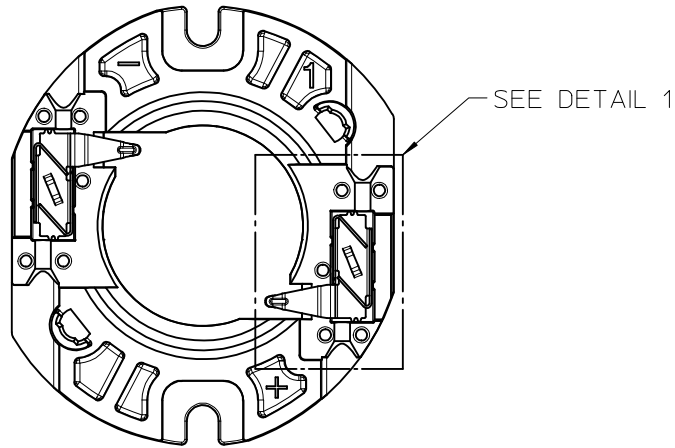


RECESSED LENS ATTACH
P/N 180885-0002

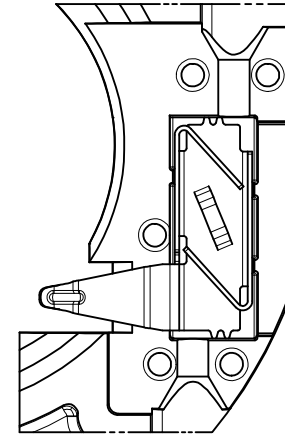
ENTER DESCRIPTION EC NO: SSL2014-0088 DRAWN: MCOLE 2014/06/02 CHKD: MCOLE 2014/07/24 APPR: DMCGOWAN 2014/07/25 REV A	QUALITY SYMBOLS F/0 F/0 F/0	GENERAL TOLERANCES (UNLESS SPECIFIED)		DIMENSION STYLE MM ONLY		SCALE 2:1	DESIGN UNITS METRIC	THIRD ANGLE PROJECTION		
		4 PLACES ± --- ± ---	mm INCH	DRAWN BY MDEVITO	DATE 2013/10/03	TITLE COB LED HOLDER ASSEMBLY 20 MM X 20 MM SQUARE				
		3 PLACES ± --- ± ---	2 PLACES ± 0.13 ± ---	CHECKED BY MCOLE	DATE 2013/10/10					
		1 PLACE ± 0.25 ± ---	0 PLACE ± --- ± ---	APPROVED BY DMCGOWAN	DATE 2013/12/09	DOCUMENT NO. SD-180885-001				
ANGULAR ± 1/2° DRAFT WHERE APPLICABLE MUST REMAIN WITHIN DIMENSIONS		MATERIAL NO. SEE CHART		SIZE B		SHEET NO. 2 OF 4				

9 8 7 6 5 4 3 2 1

10 9 8 7 6 5 4 3 2 1

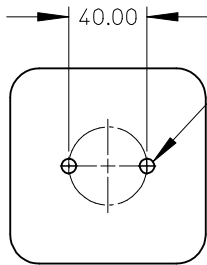


WIRE TRAP CAPS ARE REMOVED FROM FRONT VIEW FOR CLARITY



DETAIL 1
Scale 4:1

VIEW OF TWO-WAY WIRE TRAP
WIRE TRAPS WILL ACCOMODATE
EITHER 18, 20, OR 22 GAUGE WIRE



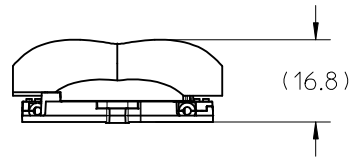
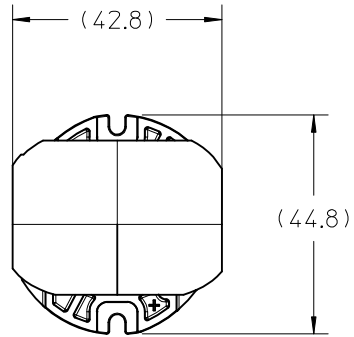
M3 OR 4-40 TAPPED HOLES (2)
TORQUE SCREWS
0.4 MIN - 0.8 MAX
NEWTON METERS

RECOMMENDED MOUNTING DIMENSIONS (NTS)

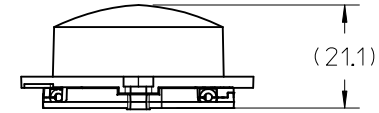
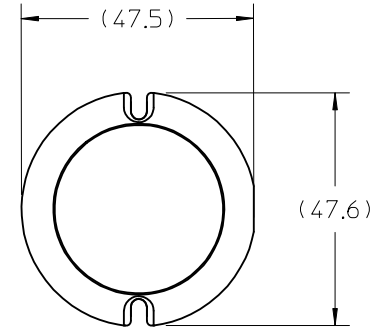
ENTER DESCRIPTION EC NO: SSL2014-0088 DRAWN: MCOLE 2014/06/02 CHKD: MCOLE 2014/07/24 APPR: DMCGOWAN 2014/07/25 REV A	DESCRIPTION REV	QUALITY SYMBOLS ▽/0 ▽/0 ▽/0	GENERAL TOLERANCES (UNLESS SPECIFIED)		DIMENSION STYLE MM ONLY		SCALE 2:1	DESIGN UNITS METRIC	THIRD ANGLE PROJECTION		
			mm	INCH	DRAWN BY	DATE	TITLE COB LED HOLDER ASSEMBLY 20 MM X 20 MM SQUARE				
		4 PLACES	± ---	± ---	MDEVITO	2013/10/03					
		3 PLACES	± ---	± ---	CHECKED BY	DATE	DOCUMENT NO. SD-180885-001				
2 PLACES	± 0.13	± ---	MCOLE	2013/10/10							
1 PLACE	± 0.25	± ---	APPROVED BY	DATE	SHEET NO. 3 OF 4						
0 PLACE	± ---	± ---	DMCGOWAN	2013/12/09							
DRAFT WHERE APPLICABLE MUST REMAIN WITHIN DIMENSIONS			ANGULAR ±1/2°		MATERIAL NO. SEE CHART		THIS DRAWING CONTAINS INFORMATION THAT IS PROPRIETARY TO MOLEX INCORPORATED AND SHOULD NOT BE USED WITHOUT WRITTEN PERMISSION				

10 9 8 7 6 5 4 3 2 1

HOLDER ASSEMBLY SHOWN WITH LENS ATTACHED



STANDARD LENS ATTACH
P/N 180885-0001

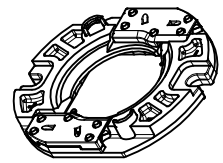


RECESSED LENS ATTACH
P/N 180885-0002

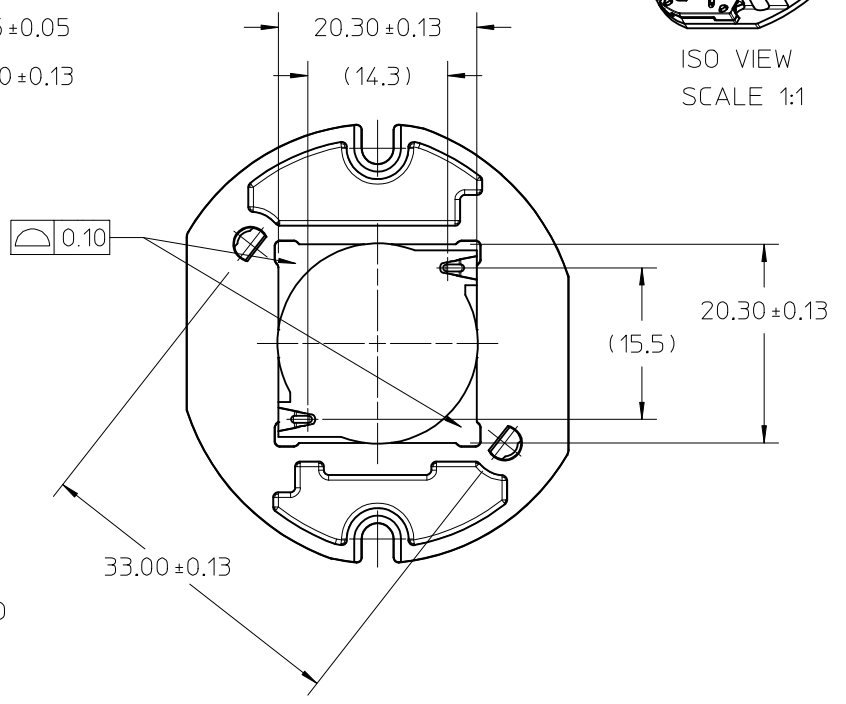
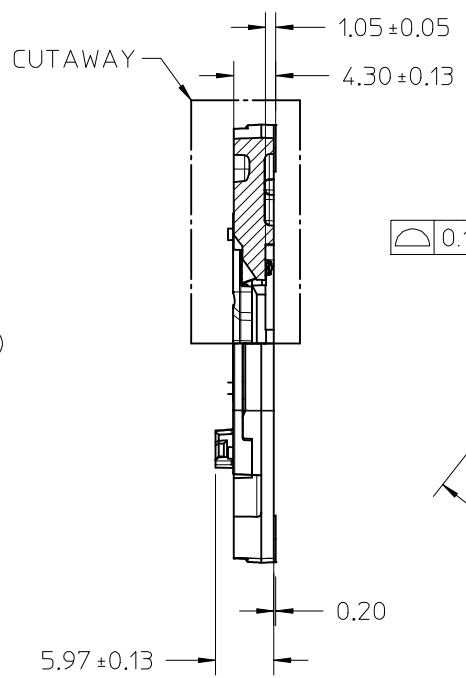
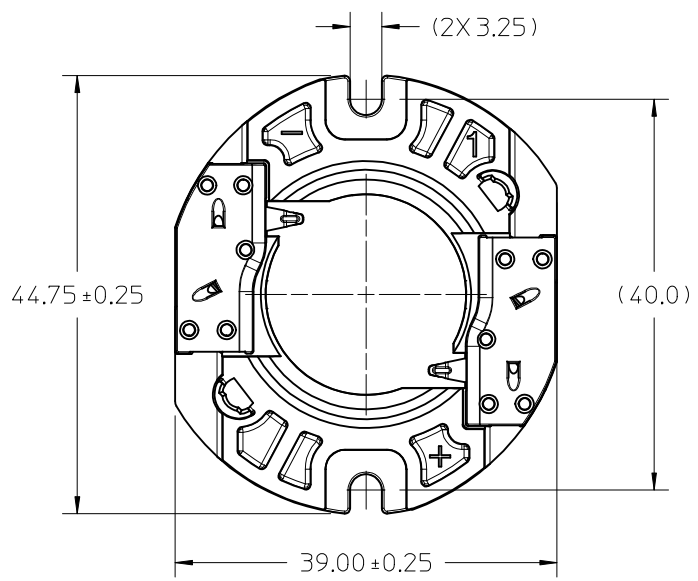
ENTER DESCRIPTION EC NO: SSL2014-0088 DRAWN BY: DRW/MCOLE 2014/06/02 CHKD BY: MCOLE 2014/07/24 APPR: DMCGOWAN 2014/07/25 REV A	QUALITY SYMBOLS $\nabla F=0$ $\nabla F=0$ $\nabla F=0$	GENERAL TOLERANCES (UNLESS SPECIFIED) <table border="1"> <thead> <tr> <th></th> <th>mm</th> <th>INCH</th> </tr> </thead> <tbody> <tr> <td>4 PLACES</td> <td>\pm---</td> <td>\pm---</td> </tr> <tr> <td>3 PLACES</td> <td>\pm---</td> <td>\pm---</td> </tr> <tr> <td>2 PLACES</td> <td>± 0.13</td> <td>\pm---</td> </tr> <tr> <td>1 PLACE</td> <td>± 0.25</td> <td>\pm---</td> </tr> <tr> <td>0 PLACE</td> <td>\pm---</td> <td>\pm---</td> </tr> </tbody> </table>		mm	INCH	4 PLACES	\pm ---	\pm ---	3 PLACES	\pm ---	\pm ---	2 PLACES	± 0.13	\pm ---	1 PLACE	± 0.25	\pm ---	0 PLACE	\pm ---	\pm ---	DIMENSION STYLE MM ONLY DRAWN BY: MDEVITO CHECKED BY: MCOLE APPROVED BY: DMCGOWAN DATE: 2013/10/03 DATE: 2013/10/10 DATE: 2013/12/09	SCALE: 2:1 DESIGN UNITS: METRIC THIRD ANGLE PROJECTION	TITLE COB LED HOLDER ASSEMBLY 20 MM X 20 MM SQUARE
		mm	INCH																				
	4 PLACES	\pm ---	\pm ---																				
	3 PLACES	\pm ---	\pm ---																				
2 PLACES	± 0.13	\pm ---																					
1 PLACE	± 0.25	\pm ---																					
0 PLACE	\pm ---	\pm ---																					
ANGULAR $\pm 1/2^\circ$ DRAFT WHERE APPLICABLE MUST REMAIN WITHIN DIMENSIONS		MATERIAL NO. SEE CHART	DOCUMENT NO. SD-180885-001	SHEET NO. 4 OF 4																			
THIS DRAWING CONTAINS INFORMATION THAT IS PROPRIETARY TO MOLEX INCORPORATED AND SHOULD NOT BE USED WITHOUT WRITTEN PERMISSION																							

9 8 7 6 5 4 3 2 1

10	9	8	7	6	5	4	3	2	1
PART NUMBER	DESCRIPTION			SHEET					
180885-0001	HOLDER ASSEMBLY WITH STANDARD LENS ATTACH			1					
180885-0002	HOLDER ASSEMBLY WITH RECESSED LENS ATTACH			2					



ISO VIEW
SCALE 1:1

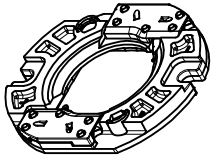


- NOTES
- MATERIALS:
 - HOUSING AND CAPS: PBT 30% GF, COLOR: WHITE, UL94V-0
 - WIRE TRAP TERMINALS: COPPER ALLOY
 - FINISH: SELECT GOLD AND TIN OVER NICKEL
 - APPLICABLE WIRE GAUGE - 18, 20, OR 22 AWG
 - SOLID WIRE IS PREFERRED
 - PRE-TINNED STRANDED WIRE IS ACCEPTABLE
 - STRIP LENGTH 10MM +2.0/-0.0MM IS RECOMMENDED
 - MOUNT HOLDER USING M3 OR 4-40 SCREWS (2), 0.4 NEWTON METERS MIN; 0.8 NEWTON METERS MAX TORQUE
 - THIS PRODUCT IS ELV AND ROHS COMPLIANT

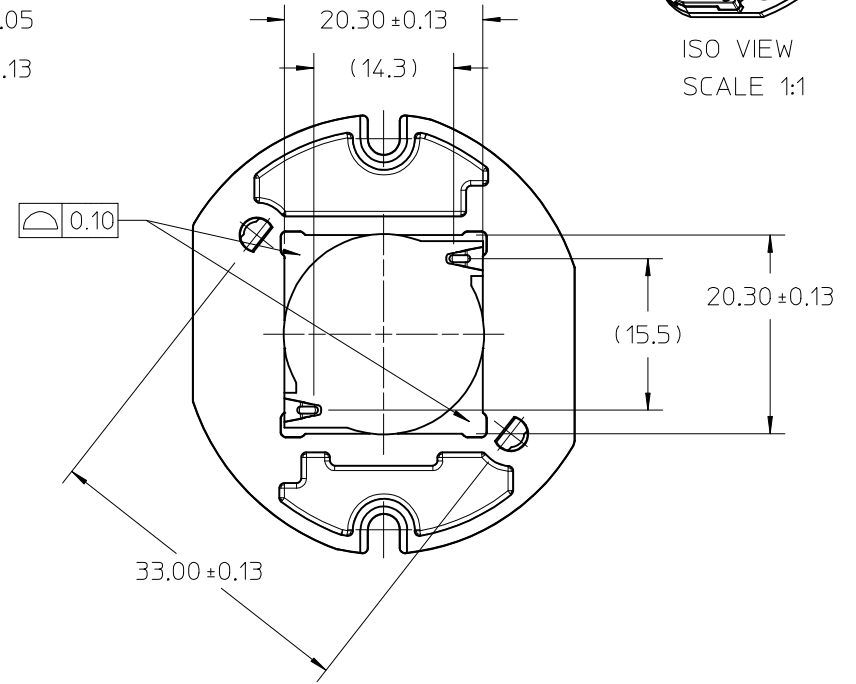
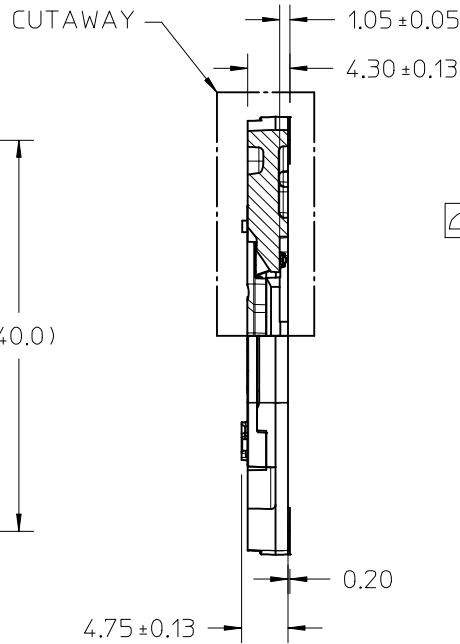
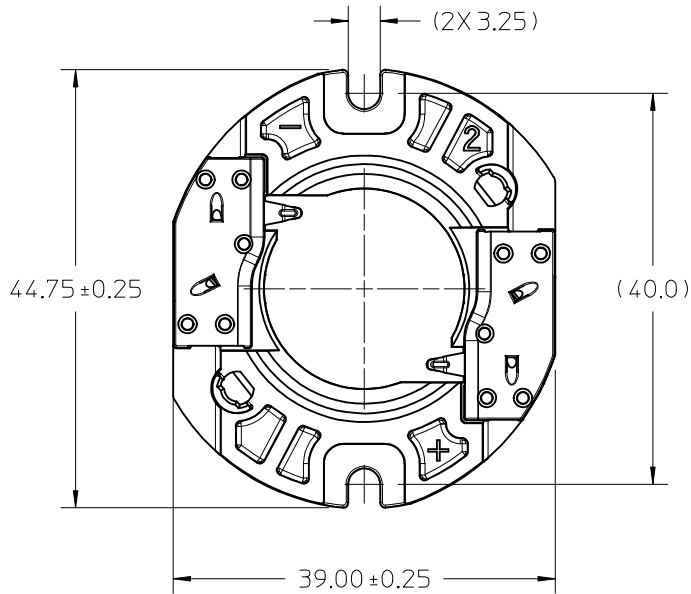
STANDARD LENS ATTACH
P/N 180885-0001

ENTER DESCRIPTION EC NO: SSL2014-0088 DRW: MCOLE 2014/06/02 CHKD: MCOLE 2014/07/24 APPR: DMCGOWAN 2014/07/25 REV A	QUALITY SYMBOLS	GENERAL TOLERANCES (UNLESS SPECIFIED)	DIMENSION STYLE		SCALE	DESIGN UNITS	THIRD ANGLE PROJECTION		
	$\nabla F=0$ $\nabla F=0$ $\nabla F=0$	mm	INCH	MM ONLY		2:1	METRIC		
		4 PLACES	± ---	± ---	DRAWN BY	DATE	TITLE		
		3 PLACES	± ---	± ---	MDEVITO	2013/10/03	COB LED HOLDER ASSEMBLY 20 MM X 20 MM SQUARE		
	2 PLACES	± 0.13	± ---	CHECKED BY	DATE				
	1 PLACE	± 0.25	± ---	MCOLE	2013/10/10				
	0 PLACE	± ---	± ---	APPROVED BY	DATE				
				DMCGOWAN	2013/12/09				
		ANGULAR ± 1/2°		MATERIAL NO.	DOCUMENT NO.			SHEET NO.	
		DRAFT WHERE APPLICABLE		SEE CHART	SD-180885-001			1 OF 4	
		MUST REMAIN WITHIN DIMENSIONS		SIZE B	THIS DRAWING CONTAINS INFORMATION THAT IS PROPRIETARY TO MOLEX INCORPORATED AND SHOULD NOT BE USED WITHOUT WRITTEN PERMISSION				

10 9 8 7 6 5 4 3 2 1



ISO VIEW
SCALE 1:1

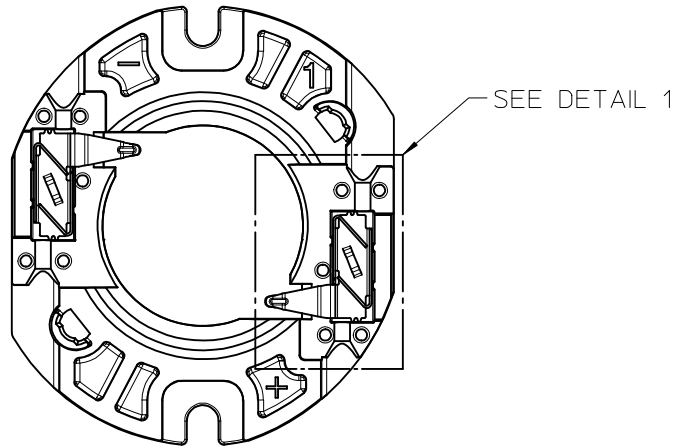


RECESSED LENS ATTACH
P/N 180885-0002

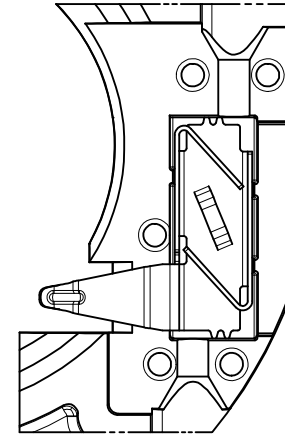
ENTER DESCRIPTION EC NO: SSL2014-0088 DRAWN: MCOLE 2014/06/02 CHKD: MCOLE 2014/07/24 APPR: DMCGOWAN 2014/07/25 REV A	QUALITY SYMBOLS F/0 F/0 F/0	GENERAL TOLERANCES (UNLESS SPECIFIED)		DIMENSION STYLE MM ONLY		SCALE 2:1	DESIGN UNITS METRIC	THIRD ANGLE PROJECTION		
		4 PLACES ± --- ± ---	mm INCH	DRAWN BY MDEVITO	DATE 2013/10/03	TITLE COB LED HOLDER ASSEMBLY 20 MM X 20 MM SQUARE				
		3 PLACES ± --- ± ---	2 PLACES ± 0.13 ± ---	CHECKED BY MCOLE	DATE 2013/10/10					
		1 PLACE ± 0.25 ± ---	0 PLACE ± --- ± ---	APPROVED BY DMCGOWAN	DATE 2013/12/09	DOCUMENT NO. SD-180885-001				
ANGULAR ± 1/2° DRAFT WHERE APPLICABLE MUST REMAIN WITHIN DIMENSIONS		MATERIAL NO. SEE CHART		SIZE B		SHEET NO. 2 OF 4				

9 8 7 6 5 4 3 2 1

10 9 8 7 6 5 4 3 2 1

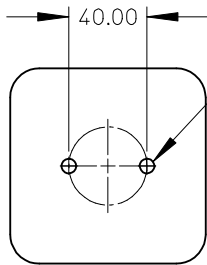


WIRE TRAP CAPS ARE REMOVED FROM FRONT VIEW FOR CLARITY



DETAIL 1
Scale 4:1

VIEW OF TWO-WAY WIRE TRAP
WIRE TRAPS WILL ACCOMODATE
EITHER 18, 20, OR 22 GAUGE WIRE



M3 OR 4-40 TAPPED HOLES (2)
TORQUE SCREWS
0.4 MIN - 0.8 MAX
NEWTON METERS

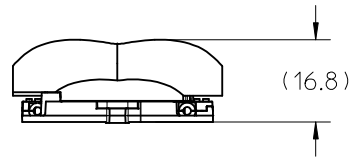
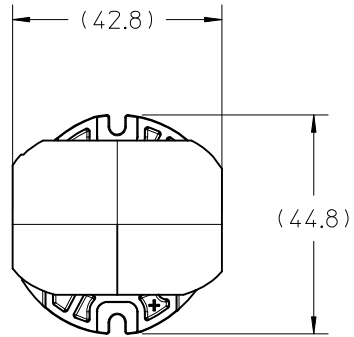
RECOMMENDED MOUNTING DIMENSIONS (NTS)

ENTER DESCRIPTION EC NO: SSL2014-0088 DRAWN: MCOLE 2014/06/02 CHKD: MCOLE 2014/07/24 APPR: DMCGOWAN 2014/07/25 REV A	DESCRIPTION REV	QUALITY SYMBOLS ▽/0 ▽/0 ▽/0	GENERAL TOLERANCES (UNLESS SPECIFIED)		DIMENSION STYLE MM ONLY		SCALE 2:1	DESIGN UNITS METRIC	THIRD ANGLE PROJECTION	
			mm	INCH	DRAWN BY	DATE	TITLE COB LED HOLDER ASSEMBLY 20 MM X 20 MM SQUARE			
		4 PLACES	± ---	± ---	MDEVITO	2013/10/03				
		3 PLACES	± ---	± ---	CHECKED BY	DATE	DOCUMENT NO. SD-180885-001			
2 PLACES	± 0.13	± ---	MCOLE	2013/10/10						
1 PLACE	± 0.25	± ---	APPROVED BY	DATE	SHEET NO. 3 OF 4					
0 PLACE	± ---	± ---	DMCGOWAN	2013/12/09						
DRAFT WHERE APPLICABLE MUST REMAIN WITHIN DIMENSIONS			ANGULAR ±1/2°		MATERIAL NO. SEE CHART		THIS DRAWING CONTAINS INFORMATION THAT IS PROPRIETARY TO MOLEX INCORPORATED AND SHOULD NOT BE USED WITHOUT WRITTEN PERMISSION			

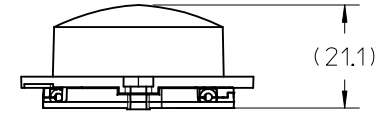
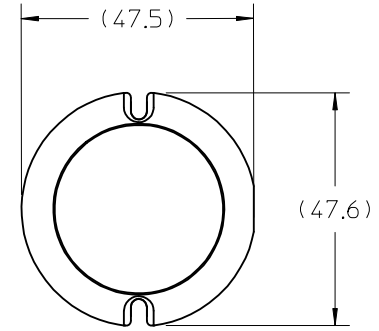
9 8 7 6 5 4 3 2 1

10 9 8 7 6 5 4 3 2 1

HOLDER ASSEMBLY SHOWN WITH LENS ATTACHED



STANDARD LENS ATTACH
P/N 180885-0001



RECESSED LENS ATTACH
P/N 180885-0002

ENTER DESCRIPTION EC NO: SSL2014-0088 DRAWN BY: DRW/MCOLE 2014/06/02 CHKD BY: MCOLE 2014/07/24 APPR: DMCGOWAN 2014/07/25 REV A	QUALITY SYMBOLS $\nabla F=0$ $\nabla F=0$ $\nabla F=0$	GENERAL TOLERANCES (UNLESS SPECIFIED) <table border="1"> <thead> <tr> <th></th> <th>mm</th> <th>INCH</th> </tr> </thead> <tbody> <tr> <td>4 PLACES</td> <td>\pm---</td> <td>\pm---</td> </tr> <tr> <td>3 PLACES</td> <td>\pm---</td> <td>\pm---</td> </tr> <tr> <td>2 PLACES</td> <td>± 0.13</td> <td>\pm---</td> </tr> <tr> <td>1 PLACE</td> <td>± 0.25</td> <td>\pm---</td> </tr> <tr> <td>0 PLACE</td> <td>\pm---</td> <td>\pm---</td> </tr> </tbody> </table>		mm	INCH	4 PLACES	\pm ---	\pm ---	3 PLACES	\pm ---	\pm ---	2 PLACES	± 0.13	\pm ---	1 PLACE	± 0.25	\pm ---	0 PLACE	\pm ---	\pm ---	DIMENSION STYLE MM ONLY DRAWN BY: MDEVITO DATE: 2013/10/03 CHECKED BY: MCOLE DATE: 2013/10/10 APPROVED BY: DMCGOWAN DATE: 2013/12/09	SCALE 2:1 DESIGN UNITS METRIC THIRD ANGLE PROJECTION	TITLE COB LED HOLDER ASSEMBLY 20 MM X 20 MM SQUARE molex DOCUMENT NO. SD-180885-001 SHEET NO. 4 OF 4
		mm	INCH																				
	4 PLACES	\pm ---	\pm ---																				
	3 PLACES	\pm ---	\pm ---																				
2 PLACES	± 0.13	\pm ---																					
1 PLACE	± 0.25	\pm ---																					
0 PLACE	\pm ---	\pm ---																					
ANGULAR $\pm 1/2^\circ$ DRAFT WHERE APPLICABLE MUST REMAIN WITHIN DIMENSIONS		MATERIAL NO. SEE CHART	THIS DRAWING CONTAINS INFORMATION THAT IS PROPRIETARY TO MOLEX INCORPORATED AND SHOULD NOT BE USED WITHOUT WRITTEN PERMISSION																				
		SIZE B																					

9 8 7 6 5 4 3 2 1