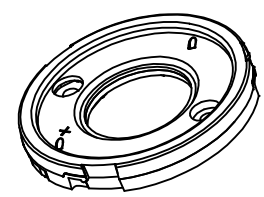
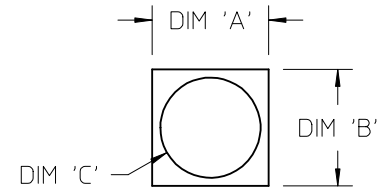
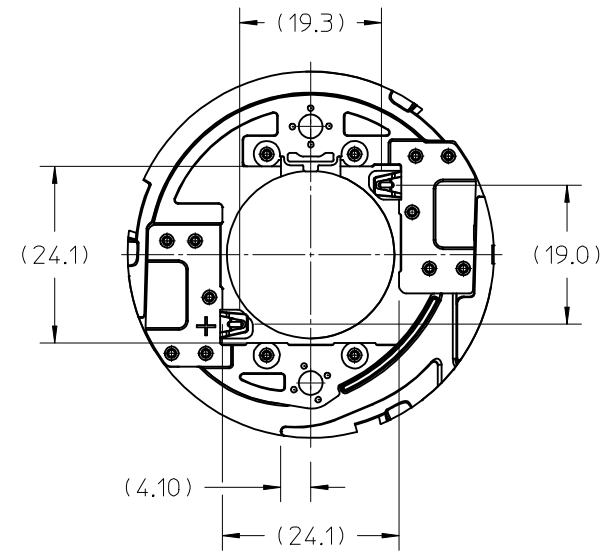
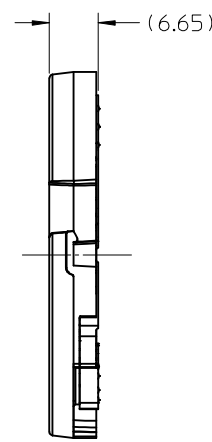
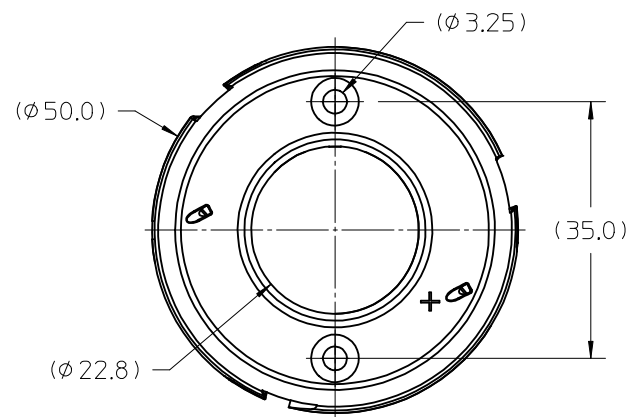


10	9	8	7	6	5	4	3	2	1
COB MFG	TYPE	DIM 'A'	DIM 'B'	THICKNESS	DIM 'C'				
CREE	CXA2520	23.85	23.85	1.15	21.0				
CREE	CXA2530	23.85	23.85	1.15	21.0				
CREE	CXA2540	23.85	23.85	1.15	21.0				
CREE	CXA2590	23.85	23.85	1.00	21.0				
CREE	CXB2530	23.85	23.85	1.15	21.0				
CREE	CXB2540	23.85	23.85	1.15	21.0				
OSRAM	SOLERIQ S19	24.00	24.00	0.90	19.8				



ISO VIEW
SCALE 1:1

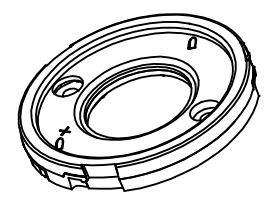


COB LED

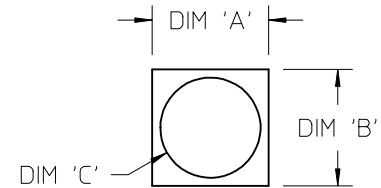
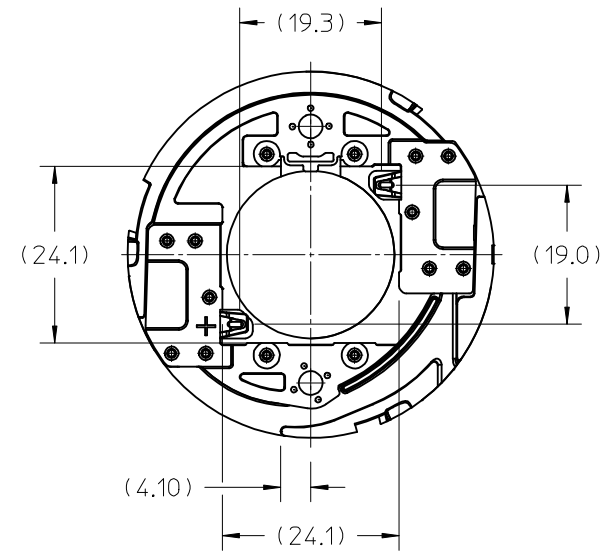
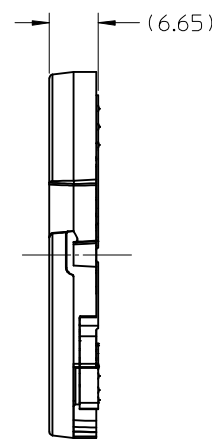
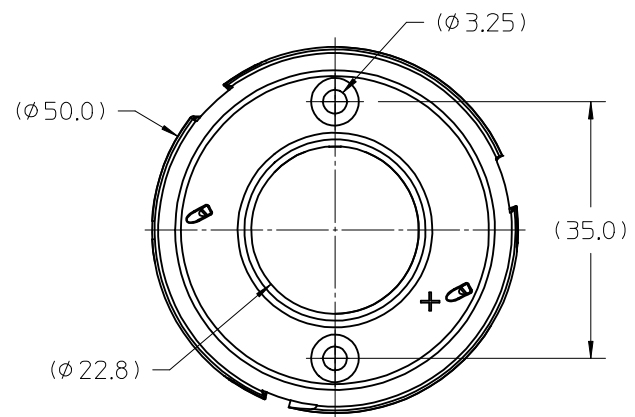
- NOTES:
- MATERIALS:
 - TOP HOUSING: WHITE COLOR PBT 30% GF UL94V-0
 - BOTTOM HOUSING: WHITE COLOR PBT 30% GF UL94V-0
 - WIRE TRAP TERMINALS: COPPER ALLOY
 - FINISH: SELECTIVE GOLD OVER NICKEL
 - THIS PRODUCT IS ELV AND ROHS COMPLIANT
 - APPLICABLE WIRE GAUGE - 18 THRU 22 AWG
 - SOLID WIRE IS RECOMMENDED
 - IF STRANDED WIRE IS USED, PRE-TINNED IS RECOMMENDED
 - 11.0mm±1.0mm STRIP LENGTH IS RECOMMENDED
 - MOUNT HOLDER USING M3 SCREWS (2), 0.2 NEWTON METER MINIMUM TORQUE TO 0.6 NEWTON METER MAXIMUM TORQUE
 - ALL DIMENSIONS IN PARENTHESIS (XX.XX) ARE FOR REFERENCE ONLY.

ENTER DESCRIPTION EC NO: SSL2017-0018 /DRAWN: ZABJANOVSKI 2016/11/17 /CHKD: /APPR: GMEYER 2016/11/18 REV	QUALITY SYMBOLS $\nabla=0$ $\nabla=0$ $\nabla=0$	GENERAL TOLERANCES (UNLESS SPECIFIED)		DIMENSION STYLE		SCALE	DESIGN UNITS	THIRD ANGLE PROJECTION		
				MM ONLY		1.5:1	METRIC			
				DRAWN BY	DATE	TITLE		COB HOLDER ASSEMBLY 23.85MM X 23.85MM SQUARE WITH PRE HOLD molex		SHEET NO.
				1808100001	2013/05/17	SD-180810-001				
DRAFT WHERE APPLICABLE MUST REMAIN WITHIN DIMENSIONS		ANGULAR ±1/2°		MATERIAL NO.		DOCUMENT NO.		THIS DRAWING CONTAINS INFORMATION THAT IS PROPRIETARY TO MOLEX INCORPORATED AND SHOULD NOT BE USED WITHOUT WRITTEN PERMISSION		

10	9	8	7	6	5	4	3	2	1
COB MFG	TYPE	DIM 'A'	DIM 'B'	THICKNESS	DIM 'C'				
CREE	CXA2520	23.85	23.85	1.15	21.0				
CREE	CXA2530	23.85	23.85	1.15	21.0				
CREE	CXA2540	23.85	23.85	1.15	21.0				
CREE	CXA2590	23.85	23.85	1.00	21.0				
CREE	CXB2530	23.85	23.85	1.15	21.0				
CREE	CXB2540	23.85	23.85	1.15	21.0				
OSRAM	SOLERIQ S19	24.00	24.00	0.90	19.8				



ISO VIEW
SCALE 1:1



COB LED

- NOTES:
- MATERIALS:
 - TOP HOUSING: WHITE COLOR PBT 30% GF UL94V-0
 - BOTTOM HOUSING: WHITE COLOR PBT 30% GF UL94V-0
 - WIRE TRAP TERMINALS: COPPER ALLOY
 - FINISH: SELECTIVE GOLD OVER NICKEL
 - THIS PRODUCT IS ELV AND ROHS COMPLIANT
 - APPLICABLE WIRE GAUGE - 18 THRU 22 AWG
 - SOLID WIRE IS RECOMMENDED
 - IF STRANDED WIRE IS USED, PRE-TINNED IS RECOMMENDED
 - 11.0mm±1.0mm STRIP LENGTH IS RECOMMENDED
 - MOUNT HOLDER USING M3 SCREWS (2), 0.2 NEWTON METER MINIMUM TORQUE TO 0.6 NEWTON METER MAXIMUM TORQUE
 - ALL DIMENSIONS IN PARENTHESIS (XX.XX) ARE FOR REFERENCE ONLY.

ENTER DESCRIPTION EC NO: SSL2017-0018 /DRWNLZABJANOVSKI 2016/11/17 CHKD: APPR:GMEYER 2016/11/18 REV	QUALITY SYMBOLS $\nabla=0$ $\nabla=0$ $\nabla=0$	GENERAL TOLERANCES (UNLESS SPECIFIED) <table border="1"> <thead> <tr> <th></th> <th>mm</th> <th>INCH</th> </tr> </thead> <tbody> <tr> <td>4 PLACES</td> <td>±---</td> <td>±---</td> </tr> <tr> <td>3 PLACES</td> <td>±---</td> <td>±---</td> </tr> <tr> <td>2 PLACES</td> <td>±---</td> <td>±---</td> </tr> <tr> <td>1 PLACE</td> <td>±---</td> <td>±---</td> </tr> <tr> <td>0 PLACE</td> <td>±---</td> <td>±---</td> </tr> </tbody> </table>		mm	INCH	4 PLACES	±---	±---	3 PLACES	±---	±---	2 PLACES	±---	±---	1 PLACE	±---	±---	0 PLACE	±---	±---	DIMENSION STYLE MM ONLY DRAWN BY: FJAKLIC DATE: 2013/05/16 CHECKED BY: MCOLE DATE: 2013/05/17 APPROVED BY: DMCGOWAN DATE: 2013/05/17	SCALE: 1.5:1 DESIGN UNITS: METRIC THIRD ANGLE PROJECTION	TITLE: COB HOLDER ASSEMBLY 23.85MM X 23.85MM SQUARE WITH PRE HOLD	DOCUMENT NO.: SD-180810-001 SHEET NO.: 1 OF 1
		mm	INCH																					
	4 PLACES	±---	±---																					
	3 PLACES	±---	±---																					
2 PLACES	±---	±---																						
1 PLACE	±---	±---																						
0 PLACE	±---	±---																						
DRAFT WHERE APPLICABLE MUST REMAIN WITHIN DIMENSIONS		MATERIAL NO.: 1808100001	THIS DRAWING CONTAINS INFORMATION THAT IS PROPRIETARY TO MOLEX INCORPORATED AND SHOULD NOT BE USED WITHOUT WRITTEN PERMISSION																					
B3		SIZE B																						