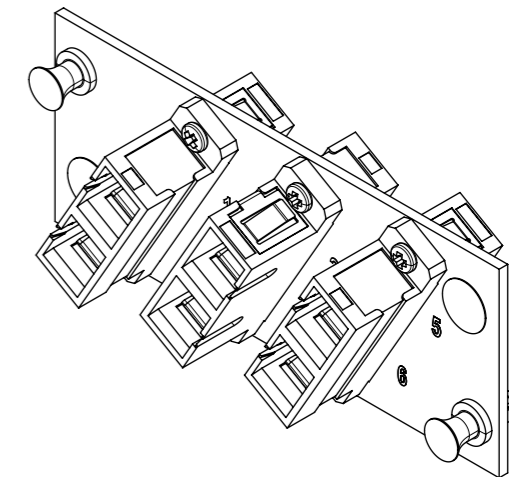


NOTES:

1. MATERIAL:
  - A) ADAPTER PLATE : COLD ROLLED STEEL (CRS)
  - B) ADAPTER HOUSING : POLYBUTYLENE TEREPHTHALATE+FIBERGLASS
  - C) PUSH FASTENER : NYLON (NYL)
  - D) PHILLIPS PAN HEAD THREAD CUTTING SCREWS: GALVANIZED STEEL
  - E) DUST CAP: POLYPROPYLENE
2. FINISH:
  - ADAPTER PLATE : BLACK POWDER COAT.
3. ACCOMODATES 3 DUPLEX SC ADAPTERS PER PLATE.
4. ASSEMBLY IS PACKAGED INDIVIDUALLY IN A BAG.
5. DUST CAPS ARE NOT SHOWN BUT, ASSEMBLED TO ADAPTERS.

PART NUMBER CHART

MPN NO.	SAP NO.	DESCRIPTION
AFR-00360	180600138	ADAPT PLATE 6F DSC MM OM1/OM2 ZR SL BEIGE
AFR-00358	180600136	ADAPT PLATE 6F DSC SM OS1/2 ZR SL BLUE
AFR-00372	180600150	ADAPT PLATE 6F DSC MM OM3/OM4 ZR SL AQ
AFR-00500	180600246	ADAPT PLATE 6F DSC MM OM4 ZR SL EV
AFR-00360-I	180600270	ADAPT PLATE 6F DSC MM OM1/OM2 ZR SL BEIGE- IN
AFR-00358-I	180600271	ADAPT PLATE 6F DSC SM OS1/2 ZR SL BLUE - IN
AFR-00372-I	180600272	ADAPT PLATE 6F DSC MM OM3/OM4 ZR SL AQUA - IN
AFR-00500-I	180600273	ADAPT PLATE 6F DSC MM OM4 ZR SL EV - IN
AFR-00673-LG	180600478	ADAPTER PLATE 6F DSC MM OM5 ZR SL LIMEGRN
AFR-00673-LG-I	180600479	ADAPTER PLATE 6F DSC MM OM5 ZR SL LIMEGRN - INDIA
AFR-00674 GR	180600480	ADAPTER PLATE 6F DSC SM OS1/2 ZR SL GRN APC
AFR-00674-GR-I	180600481	ADAPTER PLATE 6F DSC SM OS1/2 ZR SL GRN APC - INDIA



ISO VIEW

SYMBOLS	THIS DRAWING CONTAINS INFORMATION THAT IS PROPRIETARY TO MOLEX ELECTRONIC TECHNOLOGIES, LLC AND SHOULD NOT BE USED WITHOUT WRITTEN PERMISSION		CURRENT REV DESC:		<b>molex</b>
	DIMENSION UNITS	SCALE			
▽ = 0	mm	1:1			ADAPTER PLATE 6F DSC SM/MM LOADED
▽ = 0	GENERAL TOLERANCES (UNLESS SPECIFIED)				
▽ = 0	ANGULAR TOL ± °				PRODUCT CUSTOMER DRAWING
▽ = 0	4 PLACES	±			
▽ = 0	3 PLACES	±			DOCUMENT NUMBER
▽ = 0	2 PLACES	± 0.5			
▽ = 0	1 PLACE	± 0.2			SD-18060-038
▽ = 0	0 PLACES	±			
■ = 0	DRAFT WHERE APPLICABLE MUST REMAIN WITHIN DIMENSIONS		THIRD ANGLE PROJECTION	DRAWING	SERIES
▽ = 0				A3-SIZE	18060
			MATERIAL NUMBER	CUSTOMER	SHEET NUMBER
			SEE CHART	GENERAL MARKET	1 OF 1