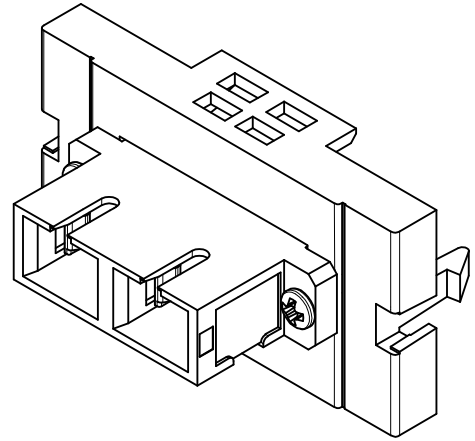
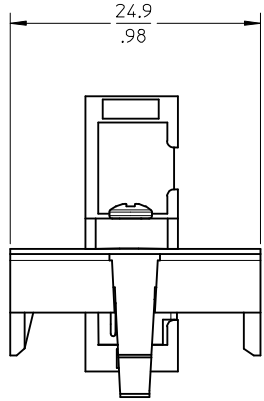
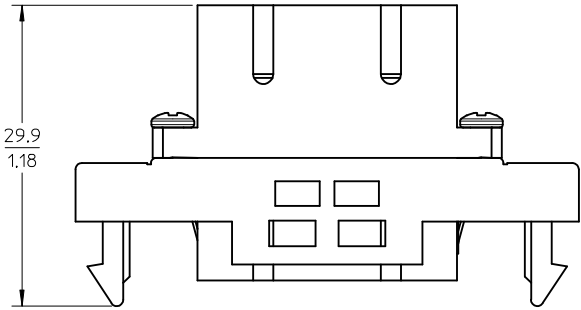
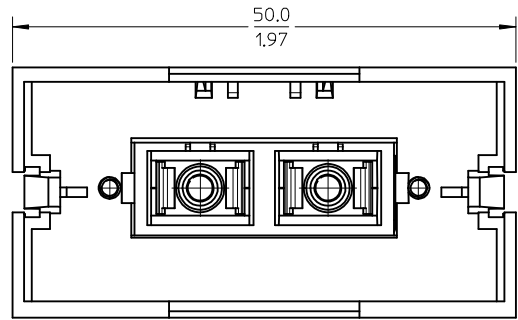


NOTES :  
 1. MATERIAL:  
 FIBER ADAPTER : THERMOPLASTIC (TPE)  
 US0II MODULE : ACRYLONITRILE-BUTADIENE-STYRENE (ABS)  
 2. MODULE IS INDIVIDUALLY PACKAGED IN SEALED BAG.  
 3. DUST CAPS NOT SHOWN.

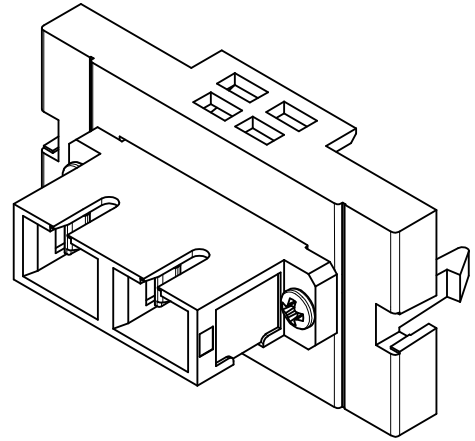
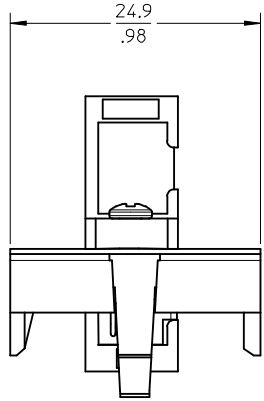
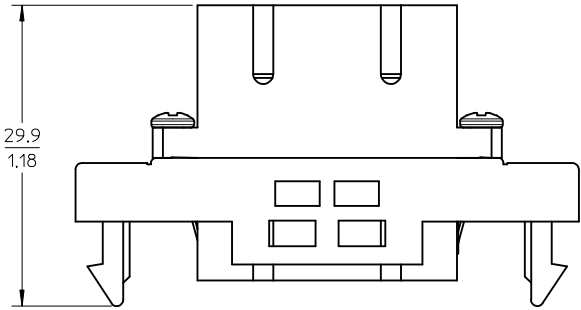
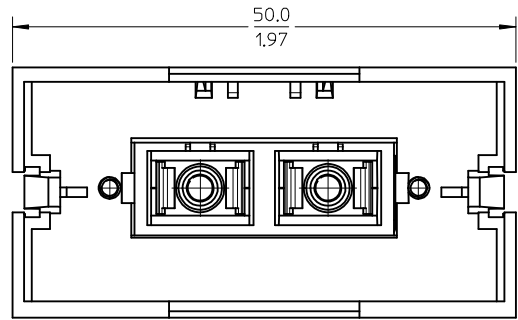


ISO VIEW

PART NO. CHART		
MPN NO.	SAP NO.	COLOUR
MUS-00048-01	180050169	ALMOND
MUS-00048-02	180050170	WHITE
MUS-00048-04	180050171	BLACK
MUS-00048-08	180050172	GREY

ENTER DESCRIPTION EC NO: MTS2012-0079 DRW:MTAMBALLI 2012/09/24 CHKD:MBJ 2012/11/23 APPR:RCG 2013/03/28	QUALITY SYMBOLS $\nabla_A=0$ $\nabla_C=0$ $\nabla_B=0$	GENERAL TOLERANCES (UNLESS SPECIFIED)		DIMENSION STYLE MM/IN	SCALE 2:1	DESIGN UNITS METRIC	THIRD ANGLE PROJECTION		
		4 PLACES ± --- ± --- 3 PLACES ± --- ± --- 2 PLACES ± --- ± .019 1 PLACE ± 0.50 ± --- 0 PLACE ± --- ± ---	mm INCH	DRAWN BY HMR	DATE 2010/08/05	TITLE US0II 1U DUPLEX SC/SC MM ADAPTER			
		ANGULAR ±1/2° DRAFT WHERE APPLICABLE MUST REMAIN WITHIN DIMENSIONS	CHECKED BY MBJ	DATE 2012/11/23	APPROVED BY JKUMAR	DATE 2010/08/06	MATERIAL NO.		
		SEE CHART	DOCUMENT NO. SD-18005-004		SHEET NO. 1 OF 1				

NOTES :  
 1. MATERIAL:  
 FIBER ADAPTER : THERMOPLASTIC (TPE)  
 US0II MODULE : ACRYLONITRILE-BUTADIENE-STYRENE (ABS)  
 2. MODULE IS INDIVIDUALLY PACKAGED IN SEALED BAG.  
 3. DUST CAPS NOT SHOWN.



ISO VIEW

PART NO. CHART		
MPN NO.	SAP NO.	COLOUR
MUS-00048-01	180050169	ALMOND
MUS-00048-02	180050170	WHITE
MUS-00048-04	180050171	BLACK
MUS-00048-08	180050172	GREY

ENTER DESCRIPTION EC NO: MTS2012-0079 DRW:MTAMBALLI 2012/09/24 CHKD:MBJ 2012/11/23 APPR:RCG 2013/03/29	QUALITY SYMBOLS	GENERAL TOLERANCES (UNLESS SPECIFIED)		DIMENSION STYLE	SCALE	DESIGN UNITS	THIRD ANGLE PROJECTION
	$\nabla_A = 0$ $\nabla_C = 0$ $\nabla_B = 0$	4 PLACES ± --- ± --- 3 PLACES ± --- ± --- 2 PLACES ± --- ± .019 1 PLACE ± 0.50 ± --- 0 PLACE ± --- ± ---	MM/IN	2:1	METRIC	DRAWN BY: HMR DATE: 2010/08/05 CHECKED BY: MBJ DATE: 2012/11/23 APPROVED BY: JKUMAR DATE: 2010/08/06	
	ANGULAR ±1/2° DRAFT WHERE APPLICABLE MUST REMAIN WITHIN DIMENSIONS	SEE CHART	MATERIAL NO.	DOCUMENT NO.	TITLE: US0II 1U DUPLEX SC/SC MM ADAPTER  <b>molex</b> SD-18005-004		
	SIZE A3 THIS DRAWING CONTAINS INFORMATION THAT IS PROPRIETARY TO MOLEX INCORPORATED AND SHOULD NOT BE USED WITHOUT WRITTEN PERMISSION	SHEET NO. 1 OF 1					