

6

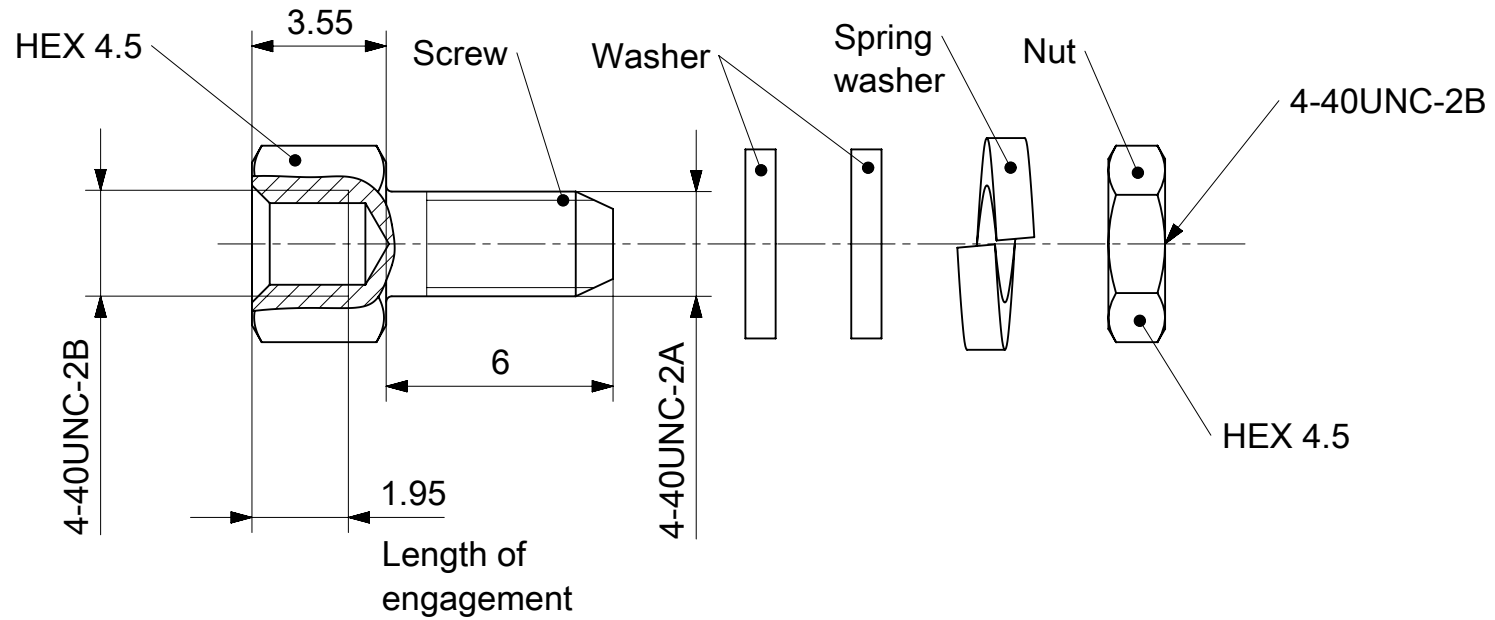
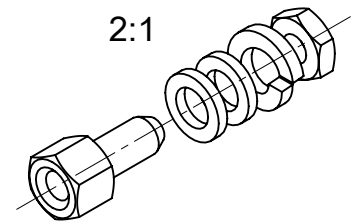
5

4

3

2

1



RoHS compliant
by exemption

1731121702	F-GSCH1/5-K1298SSN	Steel	Tin plated	1	2	1	1
1731120275	F-GSCH1/5-K1298SN			1	2	1	1
1731121112	F62M107S245+S			1	-	-	-
Material Number	FCT Part Number	Material	Surface	Screw (pc.)	Washer (pc.)	Spring washer (pc.)	Nut (pc.)

UNLESS OTHERWISE SPECIFIED DIMENSIONS FOR REFERENCE ONLY REPLACEMENT FOR DOCUMENT NUMBER: F62M107_D

Generally twice a material number respectively FCT part number is needed per connector.

Packaging specification: 1731120003-PK

FUNCTIONAL SYMBOLS $\frac{F}{A} = 0$ $\frac{F}{E} = 0$ $\frac{F}{P} = 0$ DIVISIONAL SYMBOLS	THIS DRAWING CONTAINS INFORMATION THAT IS PROPRIETARY TO MOLEX ELECTRONIC TECHNOLOGIES, LLC AND SHOULD NOT BE USED WITHOUT WRITTEN PERMISSION		CURRENT REV DESC:		<p>FCT F-GSCH1/5-K1298 4-40/4-40 FEMALE SCREW LOCK</p> <p>PRODUCT CUSTOMER DRAWING</p>	
	DIMENSION UNITS	SCALE	EC NO: 685906			
	mm	5:1	DRWN: GOOLAM 2021/08/30			
	GENERAL TOLERANCES (UNLESS SPECIFIED)		CHK'D: MTEUBEL 2021/11/22			
ANGULAR TOL ± °		APPR: MTEUBEL 2021/11/22		DOCUMENT NUMBER		
4 PLACES ±		INITIAL REVISION:		1731121112		
3 PLACES ±		DRWN: GOOLAM 2021/08/30		PSD		
2 PLACES ±		APPR: MTEUBEL 2021/11/22		000		
1 PLACE ±		MATERIAL NUMBER		A		
0 PLACES ±		SERIES		REVISION		
DRAFT WHERE APPLICABLE MUST REMAIN WITHIN DIMENSIONS		FIRST ANGLE PROJECTION	DRAWING	MATERIAL NUMBER	CUSTOMER	SHEET NUMBER
			A4-SIZE	SEE TABLE	GENERAL MARKET	1 OF 1

DOCUMENT STATUS	P1	RELEASE DATE	2021/11/22	09:33:02
-----------------	----	--------------	------------	----------

6

5

4

3

2

1

FORMAT: master-ib-prod-A4
REVISION: J
DATE: 2020/01/14