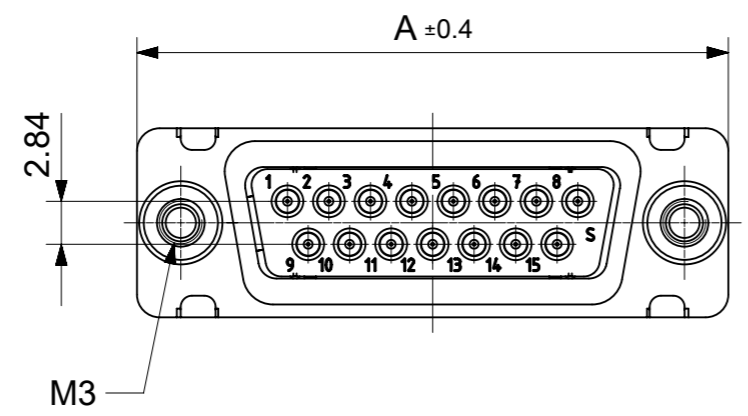
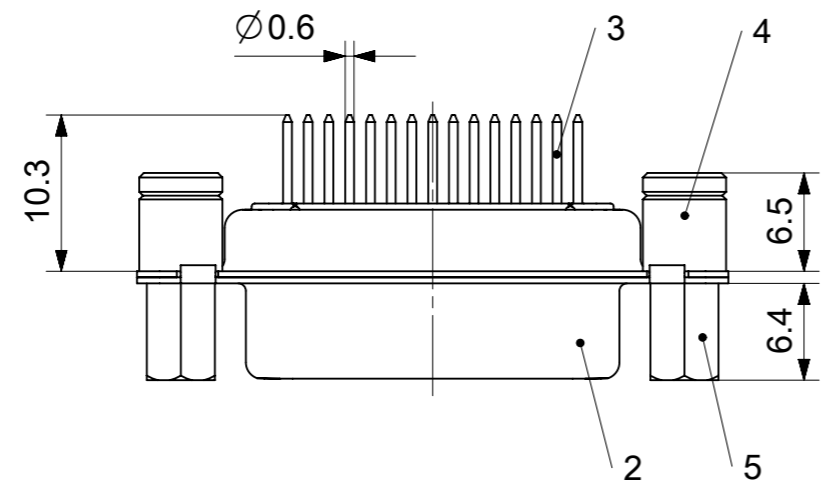
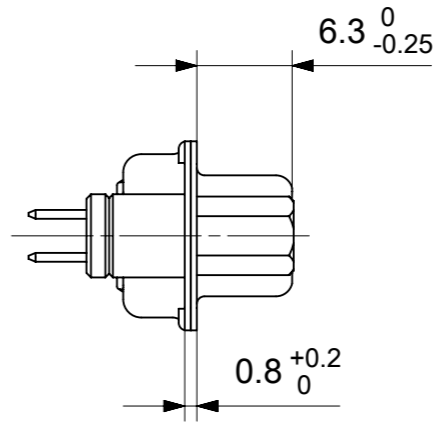
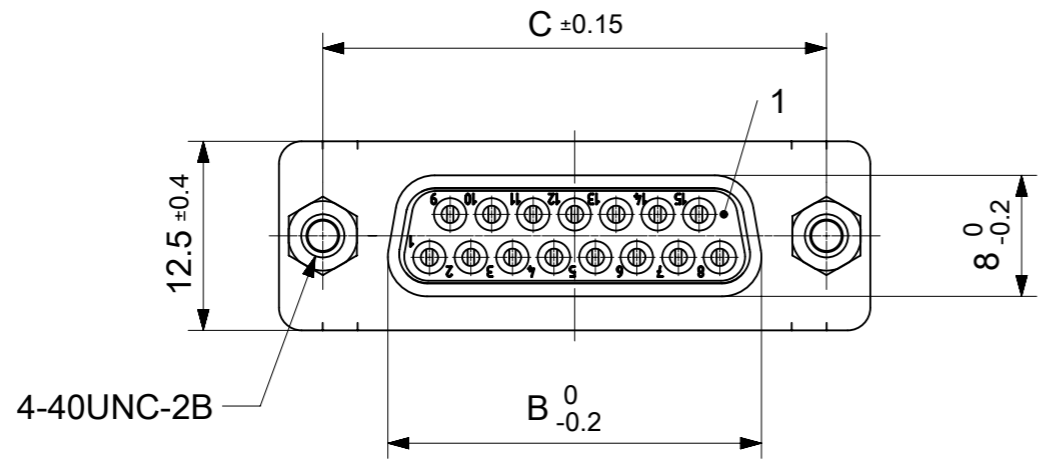


RoHS compliant  
by exemption



FCT Part number:

Fxx\*1)S1y\*2)-1485

e.g. F15S1G1-1485

\*1) xx No. of contacts 09, 15, 25 or 37

\*2) y for performance classes 1, 2 or 3

(contact cycle for G1/G2/G3 = 500/200/50)

| Material Number | xx*1) | y*2) | A[mm] | B[mm] | C[mm] | *E[mm] |
|-----------------|-------|------|-------|-------|-------|--------|
| 1731091153      | 09    | G1   | 30.8  | 16.4  | 25    | Ø1     |
| 1731090452      |       | G2   |       |       |       |        |
| 1731091969      | 15    | G1   | 39.1  | 24.7  | 33.3  |        |
| 1731090391      |       | G2   |       |       |       |        |
| 1731090453      | 25    | G2   | 53    | 38.5  | 47.04 |        |
| 1731091027      | 37    | G1   | 69.3  | 54.9  | 63.5  |        |
| 1731090454      |       | G2   |       |       |       |        |

\*PCB hole patterns ØE see document 2195600023

| No. | Pc. | Part            | Type Description/Material          | Surface plating/Color/Class |
|-----|-----|-----------------|------------------------------------|-----------------------------|
| 5   | 2   | Threaded spacer | 4-40 / Steel                       | tin plated                  |
| 4   | 2   | Threaded spacer | M3 / Steel                         | tin plated                  |
| 3   | xx  | Signal contact  | S1 / Brass                         | G1 / G2                     |
| 2   | 1   | Shell           | Steel                              | tin plated                  |
| 1   | 1   | Insulator       | PBT (-55°C to +125°C) acc. UL94V-0 | white                       |

MEASUREMENTS WITHOUT TOLERANCE ACC TO ISO 2768-m

REPLACEMENT FOR DOCUMENT NUMBER: FxxS1Gy-1485

FUNCTIONAL SYMBOLS: THIS DRAWING CONTAINS INFORMATION THAT IS PROPRIETARY TO MOLEX ELECTRONIC TECHNOLOGIES, LLC AND SHOULD NOT BE USED WITHOUT WRITTEN PERMISSION

SCALE: 2:1

GENERAL TOLERANCES (UNLESS SPECIFIED):

ANGULAR TOL ± °

4 PLACES ±

3 PLACES ±

2 PLACES ±

1 PLACE ±

0 PLACES ±

DIVISIONAL SYMBOLS: DRAFT WHERE APPLICABLE MUST REMAIN WITHIN DIMENSIONS

FIRST ANGLE PROJECTION

DRAWING: A3-SIZE

SERIES: 173109

MATERIAL NUMBER: SEE TABLE

CUSTOMER: GENERAL MARKET

SHEET NUMBER: 1 OF 1

EC NO: 707726

DRWN: SUGEEB 2021/12/02

CHK'D: MTEUBEL 2022/05/25

APPR: MTEUBEL 2022/05/25

INITIAL REVISION:

DRWN: SUGEEB 2021/12/02

APPR: MTEUBEL 2022/05/25

DOCUMENT NUMBER: 1731091153

DOC TYPE: PSD

DOC PART: 000

REVISION: A

**molex**

FCT D-SUB MINIATURE CONNECTOR

PRODUCT CUSTOMER DRAWING