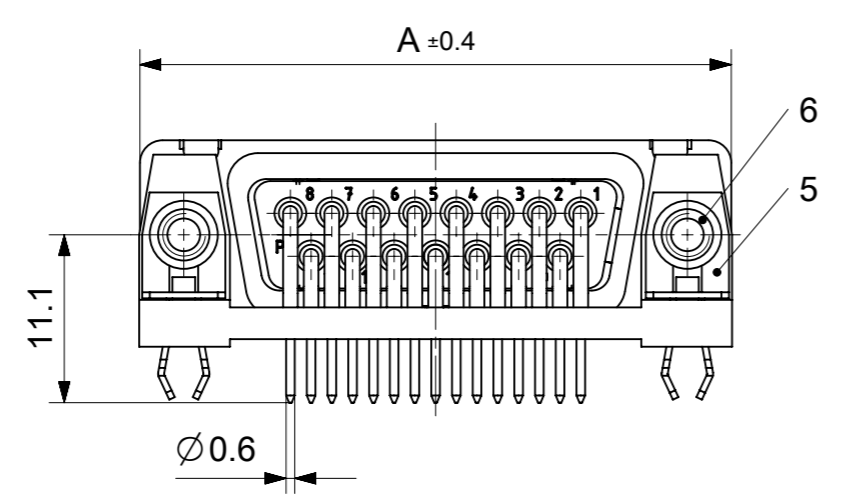
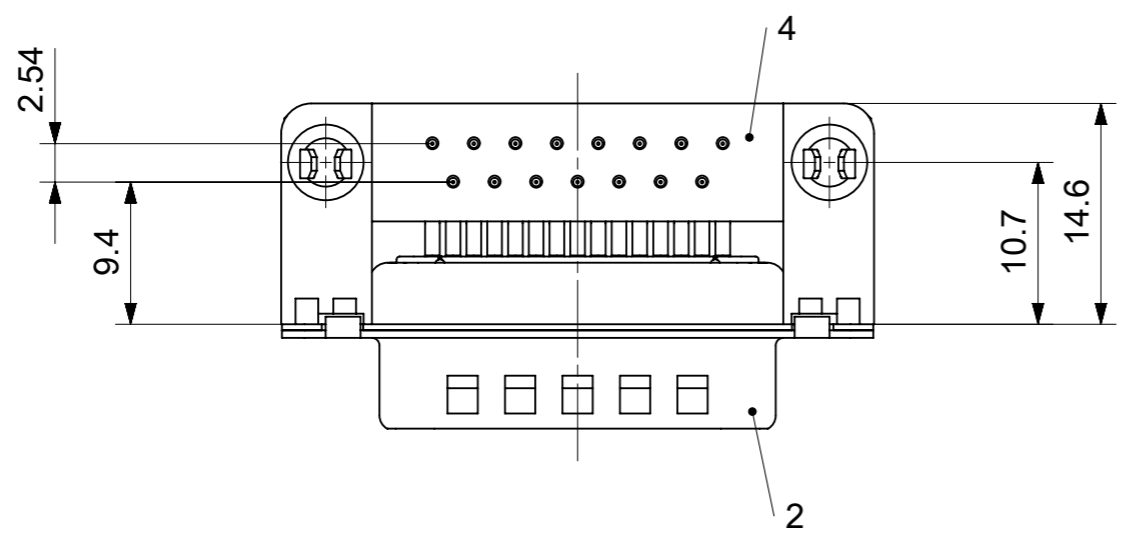
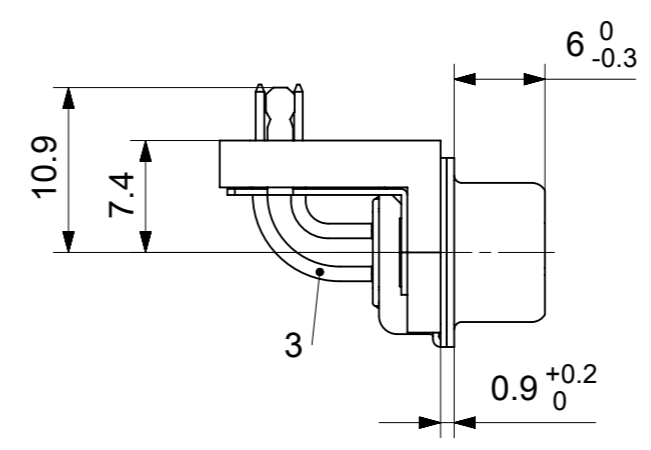
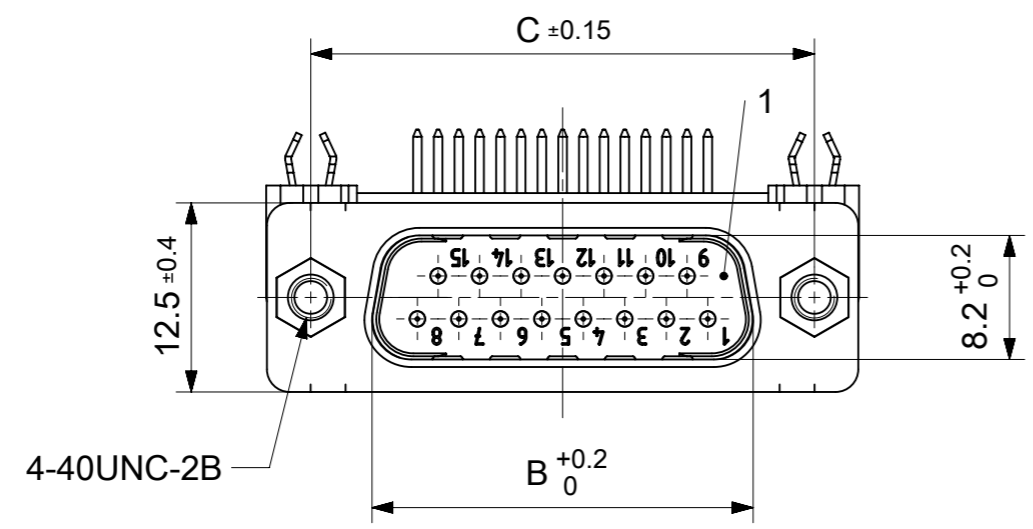


RoHS compliant  
by exemption



FCT Part number:  
Fxx\*1)P5y\*2)-0326  
e.g. F15P5G1-0326  
\*1) xx No. of contacts 09, 15, 25 or 37  
\*2) y for performance classes 1, 2 or 3  
(contact cycle for G1/G2/G3 = 500/200/50)

Material Number	xx*1)	y*2)	A [mm]	B [mm]	C [mm]	*E [mm]	*F [mm]	*G [mm]	*H [mm]	*J [mm]
1731090409	09	G1	30.8	16.9	25	Ø1	Ø3	10.7	9.4	2.54
1731090480		G2								
1731090541	15	G1	39.1	25.2	33.3					
1731091287		G2								
1731091421	25	G1	53	38.9	47.04					
1731091961		G2								
1731091525	37	G1	69.3	55.3	63.5					
1731091532		G2								

\*PCB hole patterns ØE, ØF, G, H, J see document 2195600024

No.	Pc.	Part	Type Description/Material	Surface plating/Color/Class
6	2	Clinch nut	4-40 / Brass	tin plated
5	2	Snap-in bracket	PCB 1.6mm / Bz	tin plated
4	1	Plastic bracket	FKW1/4GS / PC	black
3	xx	Signal contact	P5 / Brass	G1 / G2
2	1	Shell	Steel	tin plated
1	1	Insulator	PBT (-55°C to +125°C) acc. UL94V-0	white

MEASUREMENTS WITHOUT TOLERANCE ACC TO ISO 2768-m

REPLACEMENT FOR DOCUMENT NUMBER: FxxP5Gy-0326

FUNCTIONAL SYMBOLS: THIS DRAWING CONTAINS INFORMATION THAT IS PROPRIETARY TO MOLEX ELECTRONIC TECHNOLOGIES, LLC AND SHOULD NOT BE USED WITHOUT WRITTEN PERMISSION

SCALE: 2:1

GENERAL TOLERANCES (UNLESS SPECIFIED):

ANGULAR TOL ± °

4 PLACES ±

3 PLACES ±

2 PLACES ±

1 PLACE ±

0 PLACES ±

DIVISIONAL SYMBOLS:

DRAFT WHERE APPLICABLE MUST REMAIN WITHIN DIMENSIONS

FIRST ANGLE PROJECTION

DRAWING: A3-SIZE

SERIES: 173109

MATERIAL NUMBER: SEE TABLE

CUSTOMER: GENERAL MARKET

SHEET NUMBER: 1 OF 1

EC NO: 714712

DRWN: SKANDB 2022/02/14

CHK'D: MTEUBEL 2022/07/22

APPR: MTEUBEL 2022/07/22

INITIAL REVISION:

DRWN: SKANDB 2022/02/14

APPR: MTEUBEL 2022/07/22

DOCUMENT NUMBER: 1731090409

DOC TYPE: PSD

DOC PART: 000

REVISION: A

**molex**

FCT D-SUB MINIATURE CONNECTOR

PRODUCT CUSTOMER DRAWING