

**PLEASE CHECK WWW.MOLEX.COM FOR LATEST PART INFORMATION**

**Part Number:** [1726042100](#)  
**Status:** **Active**  
**Overview:** T-Path 100-Gbps Connector Solutions  
**Description:** T-Path Cage for Heat Sink, 1-by-1 with Spring Fingers, Open Top, No Lightpipes

**Documents:**

[Drawing \(PDF\)](#) [Product Literature \(PDF\)](#)  
[RoHS Certificate of Compliance \(PDF\)](#)

**Application tooling part link**

Application Tooling Part Link 62203-5250  
 Application Tooling Part Link 62203-5260

**General**

Product Family EMI Cages  
 Series [172604](#)  
 Application Module-to-Board  
 Component Type Cage Assembly  
 Overview [T-Path 100-Gbps Connector Solutions](#)  
 Product Name T-Path  
 UPC 889056805933

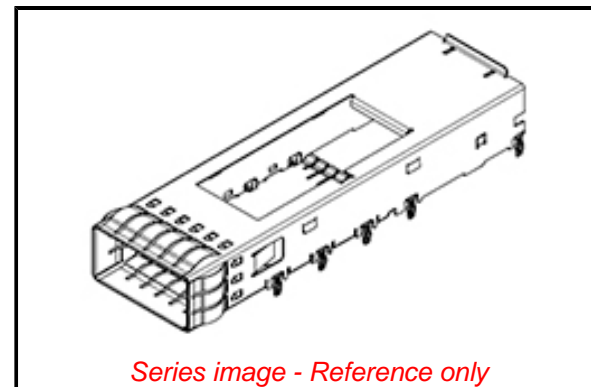
**Physical**

EMI Panel / Bezel Mount Spring Fingers  
 Light Pipes per Port 0  
 Material - Metal Stainless Steel  
 Net Weight 6.316/g  
 Orientation Horizontal  
 Packaging Type Tray  
 Port Configuration 1x1  
 Rear Legs 0  
 Termination Interface: Style Through Hole - Compliant Pin  
 Thermal Height N/A  
 Thermal Solutions Open Top

**Material Info**

**Reference - Drawing Numbers**

Application Tooling Documents ATS-622035250, ATS-622035260  
 Sales Drawing 1726042100-ASY, SD-172604-2100-001



**EU ELV**

**Compliant**

**EU RoHS**

**Compliant**

**REACH SVHC**

Not Contained Per -  
 ECHA\_01\_2020 (16  
 January 2020

**Halogen-Free**

**Status**

**Low-Halogen**

For more information, please visit [Contact US](#)

China ROHS

ELV

RoHS Phthalates

**China RoHS**

Green Image

Compliant

Not Contained

**Search Parts in this Series**

[172604](#) Series

**Use With**

T-Path 100-Gpbs Connector [1726040003](#)  
 , [1726040002](#) <br>T-Path Heat Sink  
[1000130338](#) <br>Link:T-Path Heat Sink Clip  
[1000130181](#)

**Application Tooling | FAQ**

*Tooling specifications and manuals are found by selecting the products below. Crimp Height Specifications are then contained in the Application Tooling Specification document.*

**Global**

Description	Product #
EMI Cage T-Connector Insertion Tool	<a href="#">622035250</a>
EMI Cage T-Connector Removal Tool	<a href="#">622035260</a>

This document was generated on 03/17/2020

**PLEASE CHECK [WWW.MOLEX.COM](http://WWW.MOLEX.COM) FOR LATEST PART INFORMATION**