

6

5

4

3

2

1

E

E

D

D

C

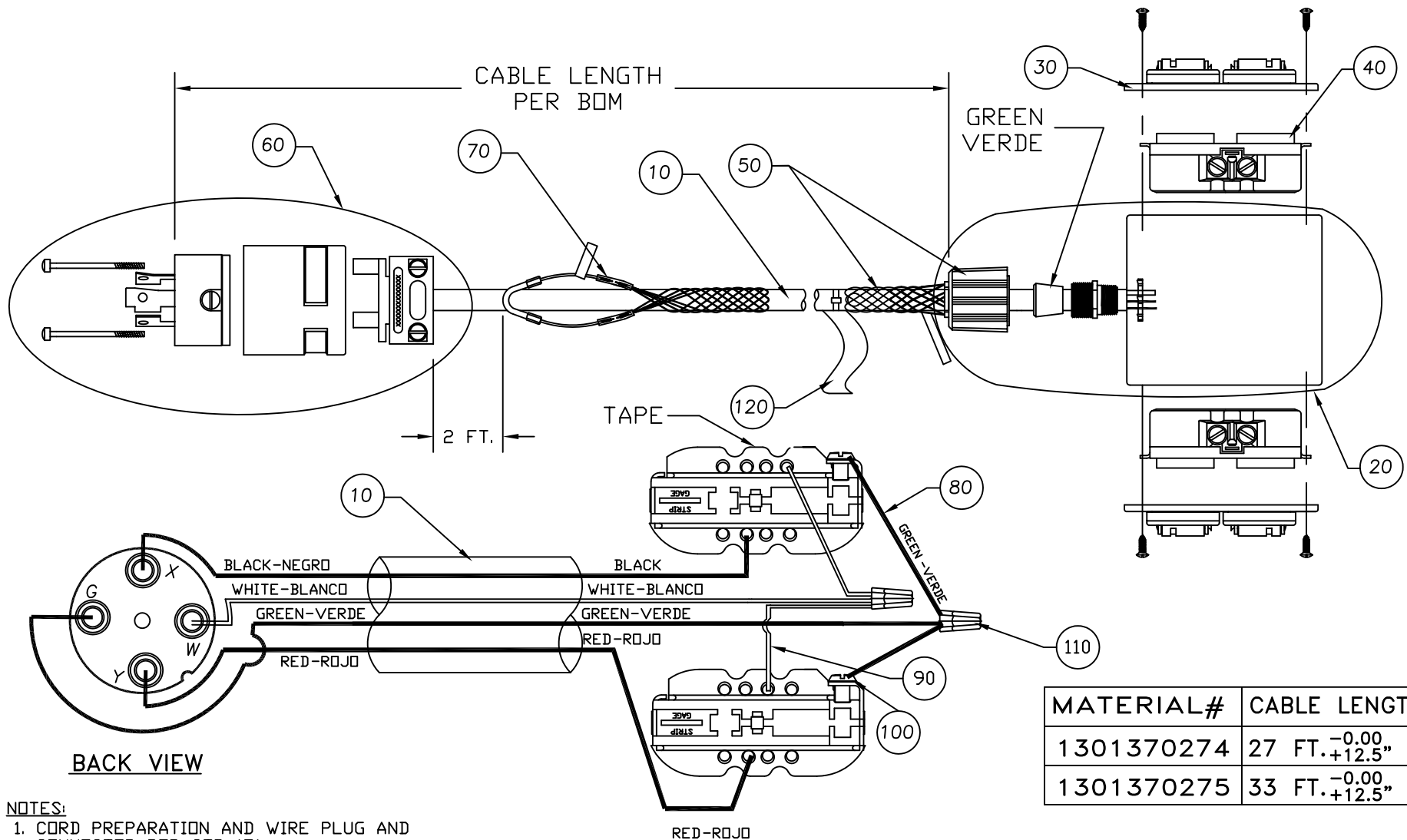
C

B

B

A

A



MATERIAL#	CABLE LENGTH
1301370274	27 FT. ^{-0.00} / _{+12.5"}
1301370275	33 FT. ^{-0.00} / _{+12.5"}

- NOTES:**
1. CORD PREPARATION AND WIRE PLUG AND CONNECTOR PER STD-151.
 2. CORD LENGTH, PLUG AND RECEPTACLE TERMINATION STYLE PER BOM AND VISUAL AID.
- NOTAS:**
1. PREPARACION DEL CABLE, ALAMBRE DE LA PLOGA Y CONECTOR POR STD-151.
 2. LONGITUD DEL CABLE, PLOGA Y RECEPTACULO ESTILO DEL ACABADO POR BOM Y AYUDA VISUAL.

REMOVE FRICTION RING EC NO: WNA2010-0551 DRWN: TVICKERS CHKD: HK APPR: DTTITUS 2010/04/28	REV	DESCRIPTION
	B	

QUALITY SYMBOLS ▽=0 ▽C=0	GENERAL TOLERANCES (UNLESS SPECIFIED)	
	mm	INCH
	4 PLACES	±---
	3 PLACES	±0.005
	2 PLACES	±0.13 ±0.010
1 PLACE	±0.25 ±0.020	
ANGULAR ±.5°		
DRAFT WHERE APPLICABLE MUST REMAIN WITHIN DIMENSIONS		

DIMENSION STYLE IN/MM	
DRAWN BY	DATE
---	---
CHECKED BY	DATE
HKNEELAN	2010/03/26
APPROVED BY	DATE
DTITUS	2010/01/28
MATERIAL NO.	
SEE CHART	
SIZE	
A	

SCALE NTS	DESIGN UNITS INCH	THIRD ANGLE PROJECTION
TITLE MULTIPLE OUTLET BOX W/#12-4 BLK CABLE & MESH (2)NEMA 5-20 DPLX RECPT		
MOLEX INCORPORATED		SHEET NO. 1 OF 1
DOCUMENT NO. E-130137-013		
THIS DRAWING CONTAINS INFORMATION THAT IS PROPRIETARY TO MOLEX INCORPORATED AND SHOULD NOT BE USED WITHOUT WRITTEN PERMISSION		

6

5

4

3

2

1

6

5

4

3

2

1

E

E

D

D

C

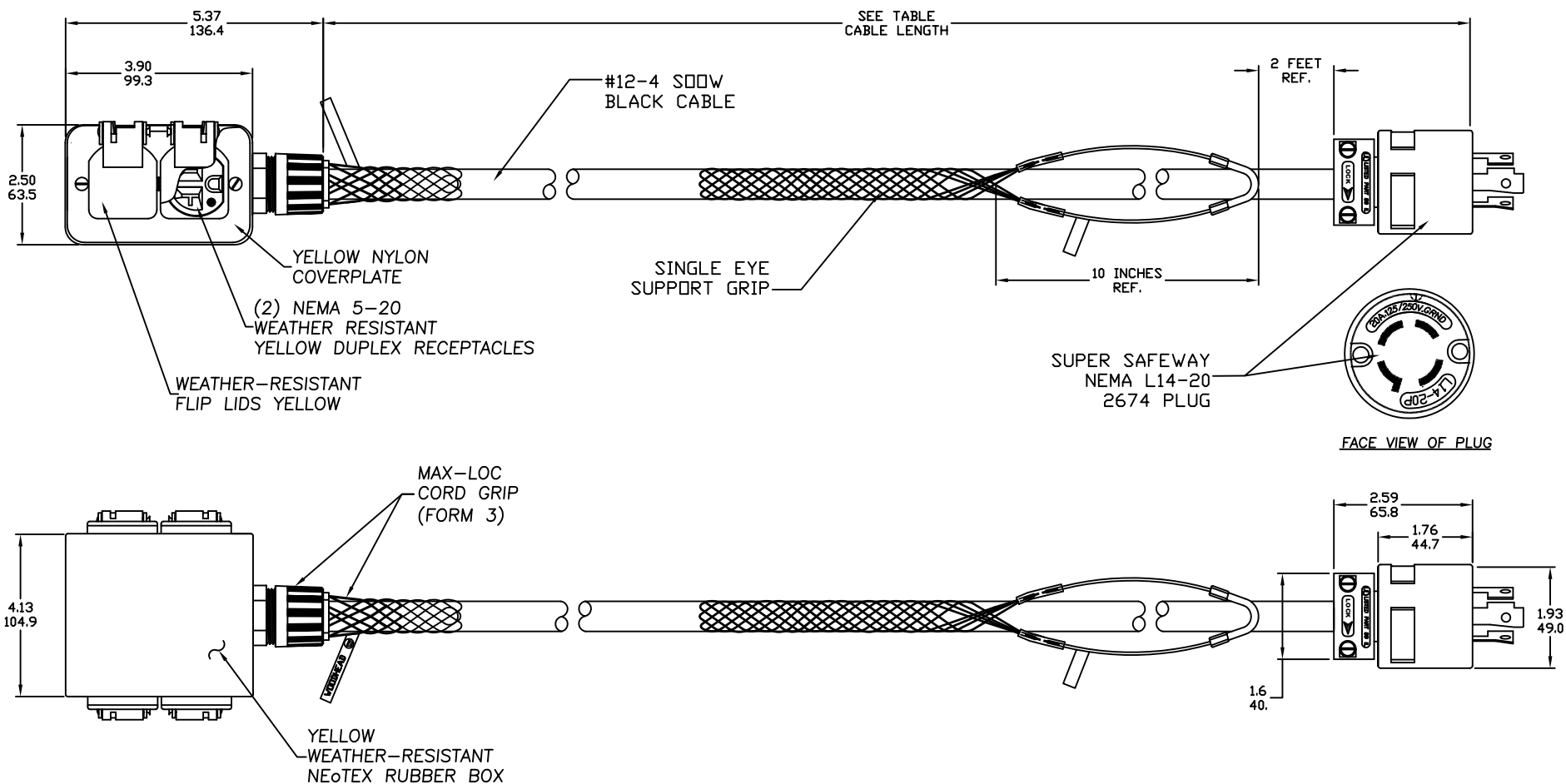
C

B

B

A

A



MATERIAL #	CABLE LENGTH
1301370274	27 FT. -0.00 $+12.5$ "
1301370275	33 FT. -0.00 $+12.5$ "

CUSTOMER APPROVAL DWG
 EC NO: WNA2010-0445
 DRWN: TVICKERS 2009/12/22
 CHKD: DWILLIAM
 APPR: DTTITUS 2010/01/28

QUALITY SYMBOLS
 $\nabla=0$
 $\nabla C=0$

GENERAL TOLERANCES (UNLESS SPECIFIED)

	mm	INCH
4 PLACES	$\pm---$	$\pm---$
3 PLACES	$\pm---$	± 0.05
2 PLACES	± 0.13	± 0.10
1 PLACE	± 0.25	± 0.20

ANGULAR $\pm .5^\circ$

DRAFT WHERE APPLICABLE
 MUST REMAIN
 WITHIN DIMENSIONS

DIMENSION STYLE
 IN/MM

DRAWN BY DATE

CHECKED BY DATE
 DWILLIAM 2009/12/17

APPROVED BY DATE
 DTTITUS 2010/01/28

MATERIAL NO.
 SEE CHART

SIZE
 A

SCALE
 NTS

DESIGN UNITS
 INCH

THIRD ANGLE PROJECTION

TITLE
 MULTIPLE OUTLET BOX
 W/ #12-4 CABLE & MESH
 (2)NEMA 5-20 DPLX RECPT

MOLEX INCORPORATED

DOCUMENT NO.
 SD-130137-013

SHEET NO.
 1 OF 1

THIS DRAWING CONTAINS INFORMATION THAT IS PROPRIETARY TO MOLEX INCORPORATED AND SHOULD NOT BE USED WITHOUT WRITTEN PERMISSION

6

5

4

3

2

1