

**PLEASE CHECK WWW.MOLEX.COM FOR LATEST PART INFORMATION**

**Part Number:** [1300170063](#)  
**Status:** **Active**  
**Overview:** [Brad Mini-Change Connectors](#)  
**Description:** Mini-Change Field Attachable, Female Connector, 3 Pole, Cable Range: 5.00-12.00mm Outside Diameter with Internal Threads

**Documents:**

[Drawing \(PDF\)](#) [RoHS Certificate of Compliance \(PDF\)](#)

**Agency Certification**

UL E258922

**General**

Product Family Field Attachable / Accessories  
 Series [130017](#)  
 Approvals cULus Listed  
 IP Rating IP67  
 Material - Contact Brass  
 Overview [Brad Mini-Change Connectors](#)  
 Product Name Mini-Change  
 Type Field Attachable Connector  
 UPC 78172550012

**Physical**

Cable Diameter 6.00-12.00mm  
 Coupling Type Internal Thread  
 Diagnostics / LEDs No  
 Diagnostics Port No  
 Gender Female  
 Keyway Tri-Key  
 Material - Connector Body Nylon  
 Material - Coupling Nut Nickel-plated Brass  
 Material - Plating Mating Gold  
 Net Weight 46.719/g  
 Orientation Straight  
 Poles 3  
 Temperature Range - Operating -20°C to +80°C  
 Wire Size AWG 14 to 24

**Electrical**

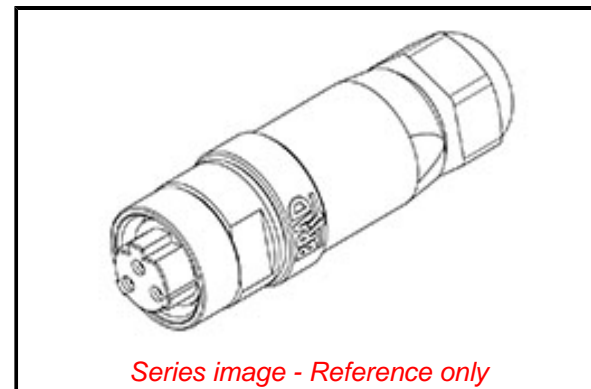
Current - Maximum per Contact 15.0A  
 Voltage - Maximum 600V AC/DC

**Material Info**

Engineering Number 1A3100-34PWR

**Reference - Drawing Numbers**

Sales Drawing 1300170063-000



*Series image - Reference only*

**EU ELV**

**Not Relevant**

**EU RoHS**

**Compliant with Exemption 6(c)**

**REACH SVHC**

Contained Per - D(2020)9139-DC (19 Jan 2021)

Lead

**Halogen-Free**

**Status**

**Not Low-Halogen**

For more information, please visit [Contact US](#)

China ROHS

50 Image

ELV

Not Relevant

RoHS Phthalates

Not Contained

**Search Parts in this Series**

[130017 Series](#)