

MOLEX P/N	AWG	LENGTH	TOLERANCE	JACKET RATING
1111339005	28	2.0M	$\pm 0.05M$	VW1
1111339006	28	3.0M	$\pm 0.05M$	VW1
1111339007	26	5.0M	$\pm 0.10M$	CL2
1111339008	24	7.0M	$\pm 0.13M$	CL2

- NOTES:
- MATERIAL =  
 BACKSHELLS - ZINC DIECAST  
 PULL - NYLON  
 CABLE JACKET RATING - SEE TABLE
  - LENGTH AND TOLERANCE - SEE TABLE
  - ELECTRICAL PERFORMANCE PER PCI EXPRESS EXTERNAL CABLING SPEC. REV. 2.0 DRAFT 0.5
  - PLUGS MATES TO RECEPTACLE 7586-0010, PCIE EMI GUIDE HOUSING ASSY. 74540-0400, QSFP HOUSING ASSY. 74750-0021
  - THIS PRODUCT MEETS THE RESTRICTION OF HAZARDOUS SUBSTANCES IN ELECTRICAL AND ELECTRONIC EQUIPMENT (RoHS) DIRECTIVE (2002/95/EC).

INITIAL RELEASE EC NO: USY2011-0390 DRW:BBYCZKIEWICZ 2010/09/07 CHKD: APPR:RMAHMOOD 2010/11/30	QUALITY SYMBOLS ▽=0 ▽=0	GENERAL TOLERANCES (UNLESS SPECIFIED) mm INCH 4 PLACES $\pm$ --- $\pm$ --- 3 PLACES $\pm$ --- $\pm$ --- 2 PLACES $\pm 0.13$ $\pm$ --- 1 PLACE $\pm 0.25$ $\pm$ --- ANGULAR $\pm 1/2^\circ$	DIMENSION STYLE MM ONLY DRAWN BY DATE BBYCZKIEWICZ 2010/09/07 CHECKED BY DATE	SCALE 1:1 DESIGN UNITS METRIC THIRD ANGLE PROJECTION
	DRAFT WHERE APPLICABLE MUST REMAIN WITHIN DIMENSIONS		APPROVED BY DATE RMAHMOOD 2010/11/30	TITLE IPASS™ IS A TRADEMARK OF MOLEX IPASS PCIE GEN2 TO QSFP CABLE ASSEMBLY FOR VIRTENSYS
	MATERIAL NO. SEE TABLE		MOLEX INCORPORATED	DOCUMENT NO. RSD-11133-9005
	SIZE B		SHEET NO. 1 OF 3 THIS DRAWING CONTAINS INFORMATION THAT IS PROPRIETARY TO MOLEX INCORPORATED AND SHOULD NOT BE USED WITHOUT WRITTEN PERMISSION	

10 9 8 7 6 5 4 3 2 1

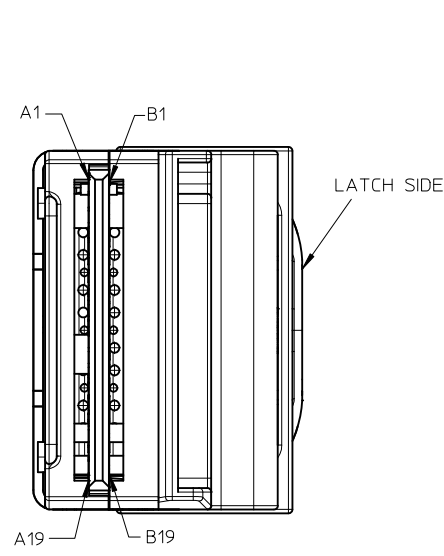
GND	A1	-----	B1	GND
PETp0	A2	----▶	B2	PERp0
PETn0	A3	----▶	B3	PERn0
GND	A4	-----	B4	GND
PETp1	A5	----▶	B5	PERp1
PETn1	A6	----▶	B6	PERn1
GND	A7	-----	B7	GND
PETp2	A8	----▶	B8	PERp2
PETn2	A9	----▶	B9	PERn2
GND	A10	-----	B10	GND
PETp3	A11	----▶	B11	PERp3
PETn3	A12	----▶	B12	PERn3
GND	A13	-----	B13	GND
CREFCLK+	A14	-----	A14	CREFCLK+
CREFCLK-	A15	-----	A15	CREFCLK-
GND	A16	-----	A16	GND
SB_RTN	A17	=====	A17	SB_RTN
CPRSNT#	A18	=====	A18	CPRSNT#
CPWRON	A19	=====	A19	CPWRON
GND	B1	-----	A1	GND
PERp0	B2	▶----	A2	PETp0
PERn0	B3	▶----	A3	PETn0
GND	B4	-----	A4	GND
PERp1	B5	▶----	A5	PETp1
PERn1	B6	▶----	A6	PETn1
GND	B7	-----	A7	GND
PERp2	B8	▶----	A8	PETp2
PERn2	B9	▶----	A9	PETn2
GND	B10	-----	A10	GND
PERp3	B11	▶----	A11	PETp3
PERn3	B12	▶----	A12	PETn3
GND	B13	-----	A13	GND
NC	B14		B14	NC
NC	B15		B15	NC
NC	B16		B16	NC
NC	B17		B17	NC
CWAKE#	B18	=====	B18	CWAKE#
CPERST#	B19	=====	B19	CPERST#

WIRE TYPE  
 ----- PAIR GROUND  
 -----▶  
 -----▶ SIGNAL PAIR  
 - - - - - NORMAL WIRE

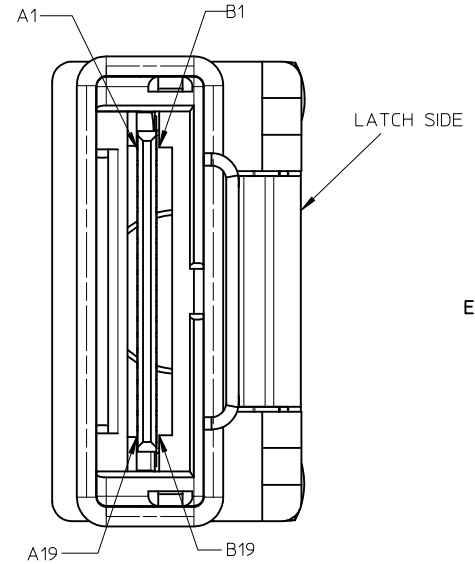
BREAK IN SEQUENCE

BREAK IN SEQUENCE

BREAK IN SEQUENCE



P1  
QSFP CONNECTOR



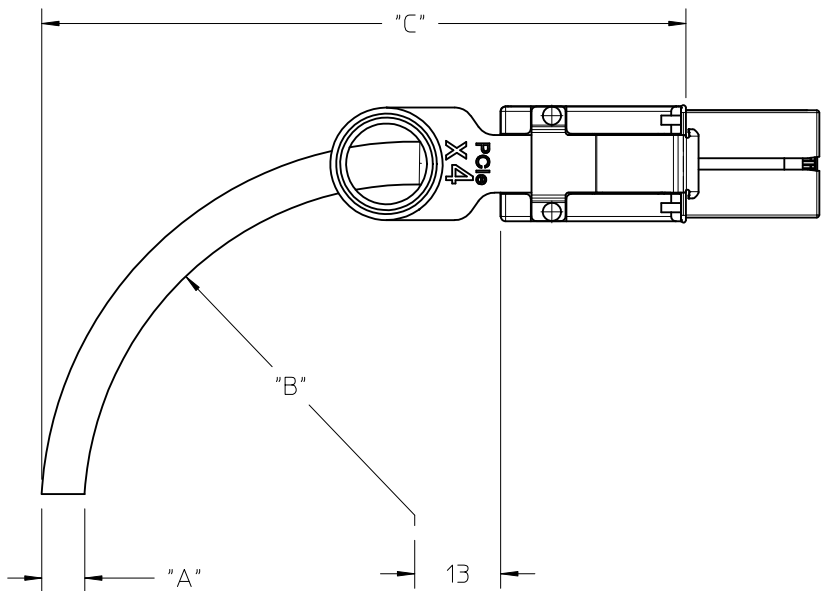
P2  
PCIe CONNECTOR

INITIAL RELEASE EC NO: USY2011-0390 DRW:BBYCKIEWICZ2010/09/07 CHKD: APPR:RMAHMOOD 2010/11/30	QUALITY SYMBOLS ▼=0 ▽=0	GENERAL TOLERANCES (UNLESS SPECIFIED) mm INCH 4 PLACES ± --- ± --- 3 PLACES ± --- ± --- 2 PLACES ±0.13 ± --- 1 PLACE ±0.25 ± --- ANGULAR ±1/2°	DIMENSION STYLE <b>MM ONLY</b> DRAWN BY DATE BBYCKIEWICZ 2010/09/07 CHECKED BY DATE	SCALE <b>4:1</b> DESIGN UNITS <b>METRIC</b> THIRD ANGLE PROJECTION	TITLE <b>IPASS PCIe GEN2 TO QSFP CABLE ASSEMBLY FOR VIRTENSYS</b>	
	APPROVED BY DATE RMAHMOOD 2010/11/30	MATERIAL NO. <b>SEE TABLE</b>	DOCUMENT NO. <b>RSD-11133-9005</b>	SHEET NO. <b>2 OF 3</b>		
	DRAFT WHERE APPLICABLE MUST REMAIN WITHIN DIMENSIONS				THIS DRAWING CONTAINS INFORMATION THAT IS PROPRIETARY TO MOLEX INCORPORATED AND SHOULD NOT BE USED WITHOUT WRITTEN PERMISSION	
	1		6		4	
	9		8		1	

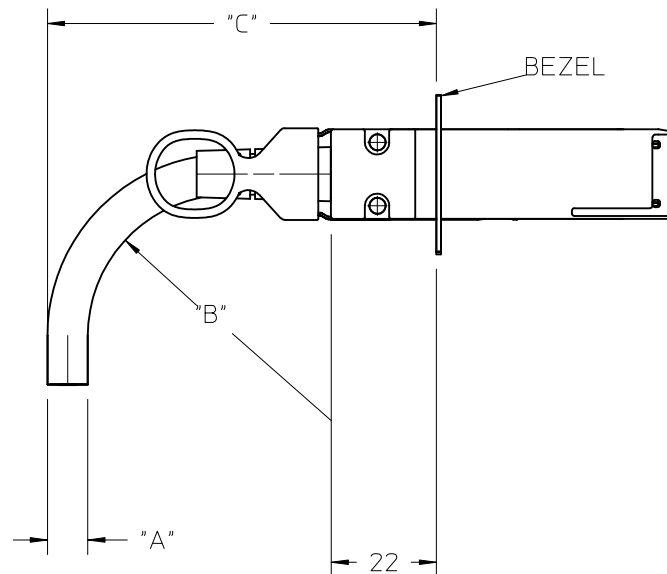
IPASS™ IS A TRADEMARK OF MOLEX



MOLEX INCORPORATED



PCIE



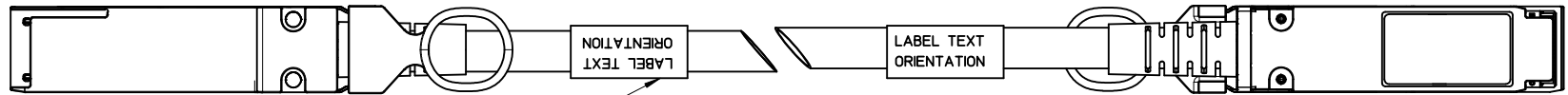
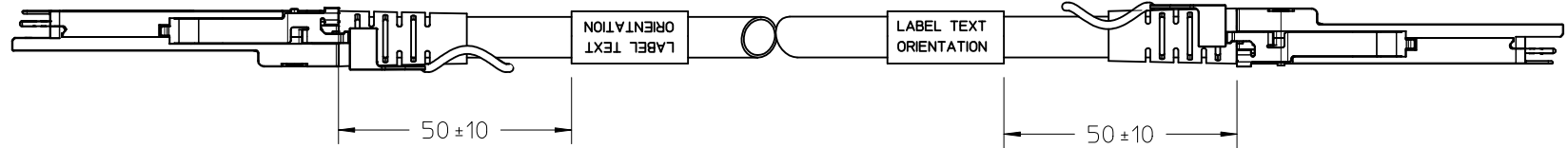
QSFP

CABLE GAUGE	24	26	28
A CABLE DIAMETER	10.54	9.53	8.75
B MINIMUM OUTER RADIUS	42.00	38.00	35.00
C FACEPLATE TO OUTER RADIUS	91.86	87.86	84.86

CABLE GAUGE	24	26	28
A CABLE DIAMETER	10.54	9.53	8.75
B MINIMUM OUTER RADIUS	42.00	38.00	35.00
C FACEPLATE TO OUTER RADIUS	64.00	60.00	57.00

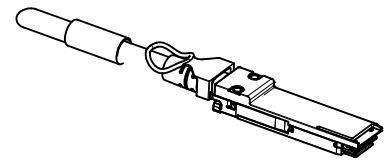
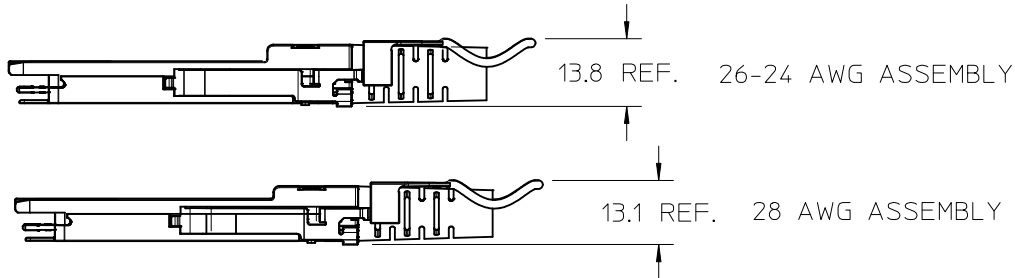
IPASS™ IS A TRADEMARK OF MOLEX

INITIAL RELEASE EC NO: USY2011-0390 DRWN:BBYCZKIEM/CZ2010/09/07 CHKD: APPR:RMAHMOOD 2010/11/30	DESCRIPTION 2010/11/30	QUALITY SYMBOLS	GENERAL TOLERANCES (UNLESS SPECIFIED)	DIMENSION STYLE	SCALE	DESIGN UNITS	THIRD ANGLE PROJECTION	
		▼=0 ▽=0	mm INCH 4 PLACES ± --- ± --- 3 PLACES ± --- ± --- 2 PLACES ± 0.13 ± --- 1 PLACE ± 0.25 ± --- ANGULAR ± 1/2°	MM ONLY	1:1	METRIC	☉ THIRD ANGLE PROJECTION	
		DRAFT WHERE APPLICABLE MUST REMAIN WITHIN DIMENSIONS	DRAWN BY DATE BBYCZKIEM/CZ 2010/09/07 CHECKED BY DATE	APPROVED BY DATE RMAHMOOD 2010/11/30	TITLE IPASS PCIe GEN2 TO QSFP CABLE ASSEMBLY FOR VIRTENSYS		MOLEX MOLEX INCORPORATED	SHEET NO. 3 OF 3
		MATERIAL NO. SEE TABLE	DOCUMENT NO. RSD-11133-9005	THIS DRAWING CONTAINS INFORMATION THAT IS PROPRIETARY TO MOLEX INCORPORATED AND SHOULD NOT BE USED WITHOUT WRITTEN PERMISSION				



P/N: XXXXXXXXXX  
S/N: YDDLLSSSS  
X.XX M XX AWG

YDDLLSSSS  
Y --- YEAR, THE LAST DIGIT OF YEAR  
DDD --- DAY OF THE YEAR  
L --- LOCATION  
SSSS --- SERIAL NO.



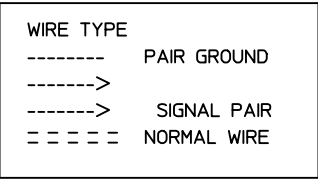
MOLEX P/N	AWG	LENGTH	TOLERANCE	JACKET RATING
1111449001	28	2.0M	±0.05M	VW1
1111449002	28	3.0M	±0.05M	VW1
1111449003	26	5.0M	±0.10M	CL2
1111449004	24	7.0M	±0.13M	CL2

- NOTES:
- MATERIAL=  
BACKSHELLS - ZINC DIECAST  
PULL - NYLON  
CABLE JACKET RATING - SEE TABLE
  - LENGTH AND TOLERANCE - SEE TABLE
  - ELECTRICAL PERFORMANCE PER PCI EXPRESS EXTERNAL CABLING SPEC. REV. 2.0 DRAFT 0.5
  - PLUG MATES TO RECEPTACLE 75586-0010, AND HOUSING ASSY. 74750-0021
  - THIS PRODUCT MEETS THE RESTRICTION OF HAZARDOUS SUBSTANCES IN ELECTRICAL AND ELECTRONIC EQUIPMENT (RoHS) DIRECTIVE (2002/95/EC).

INITIAL RELEASE EC NO: USY2011-0390 DRAWN: BBYCZKIEWICZ 2010/10/26 CHKD: APPR: RMAHMOOD 2010/11/30	DESCRIPTION 2010/11/30	QUALITY SYMBOLS	GENERAL TOLERANCES (UNLESS SPECIFIED)	DIMENSION STYLE	SCALE	DESIGN UNITS	THIRD ANGLE PROJECTION		
		▼=0 ∇=0	mm INCH 4 PLACES ± --- ± --- 3 PLACES ± --- ± --- 2 PLACES ± 0.13 ± --- 1 PLACE ± 0.25 ± --- ANGULAR ± 1/2°	MM ONLY	1:1	METRIC	DRAWN BY DATE BBYCZKIEWICZ 2010/10/26 CHECKED BY DATE	TITLE QSFP TO QSFP PCIe GEN2 CABLE ASSEMBLY FOR VIRTENSYS	
			DRAFT WHERE APPLICABLE MUST REMAIN WITHIN DIMENSIONS	APPROVED BY DATE	MOLEX MOLEX INCORPORATED		MATERIAL NO. SEE TABLE	DOCUMENT NO. RSD-111144-9001	SHEET NO. 1 OF 3
				THIS DRAWING CONTAINS INFORMATION THAT IS PROPRIETARY TO MOLEX INCORPORATED AND SHOULD NOT BE USED WITHOUT WRITTEN PERMISSION					

10 9 8 7 6 5 4 3 2 1

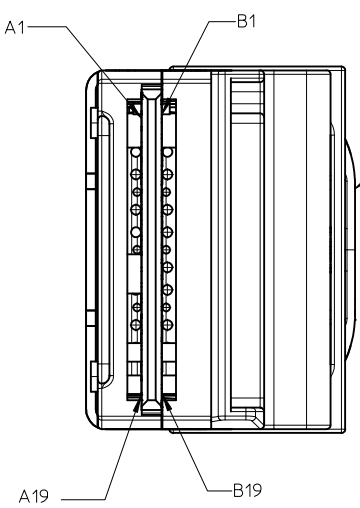
GND	A1	-----	B1	GND
PETp0	A2	----->	B2	PERp0
PETn0	A3	----->	B3	PERn0
GND	A4	-----	B4	GND
PETp1	A5	----->	B5	PERp1
PETn1	A6	----->	B6	PERn1
GND	A7	-----	B7	GND
PETp2	A8	----->	B8	PERp2
PETn2	A9	----->	B9	PERn2
GND	A10	-----	B10	GND
PETp3	A11	----->	B11	PERp3
PETn3	A12	----->	B12	PERn3
GND	A13	-----	B13	GND
CREFLK+	A14	-----	A14	CREFLK+
CREFLK-	A15	-----	A15	CREFLK-
GND	A16	-----	A16	GND
SB_RTN	A17	=====	A17	SB_RTN
CPRSNT#	A18	=====	A18	CPRSNT#
CPWRON	A19	=====	A19	CPWRON
GND	B1	-----	A1	GND
PERp0	B2	-----<	A2	PETp0
PERn0	B3	-----<	A3	PETn0
GND	B4	-----	A4	GND
PERp1	B5	-----<	A5	PETp1
PERn1	B6	-----<	A6	PETn1
GND	B7	-----	A7	GND
PERp2	B8	-----<	A8	PETp2
PERn2	B9	-----<	A9	PETn2
GND	B10	-----	A10	GND
PERp3	B11	-----<	A11	PETp3
PERn3	B12	-----<	A12	PETn3
GND	B13	-----	A13	GND
NC	B14	-----	B14	NC
NC	B15	-----	B15	NC
NC	B16	-----	B16	NC
NC	B17	-----	B17	NC
CWAKE#	B18	=====	B18	CWAKE#
CPERST#	B19	=====	B19	CPERST#



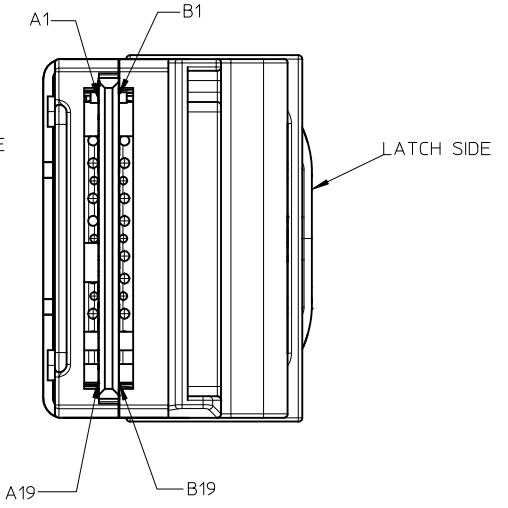
BREAK IN SEQUENCE

BREAK IN SEQUENCE

BREAK IN SEQUENCE

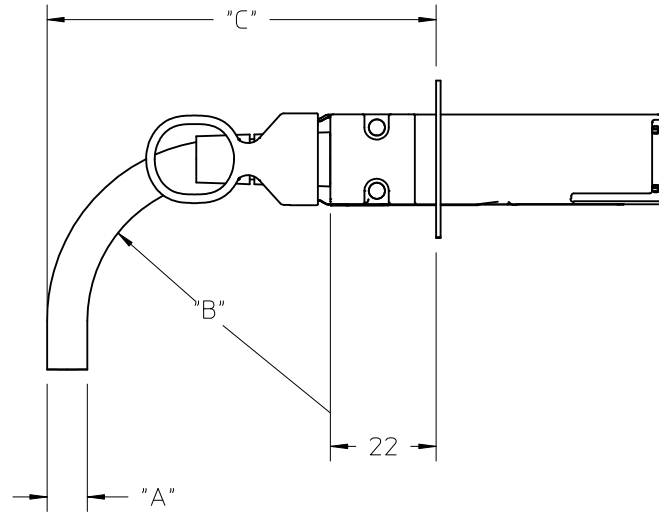


P1  
QSFP CONNECTOR



P2  
QSFP CONNECTOR

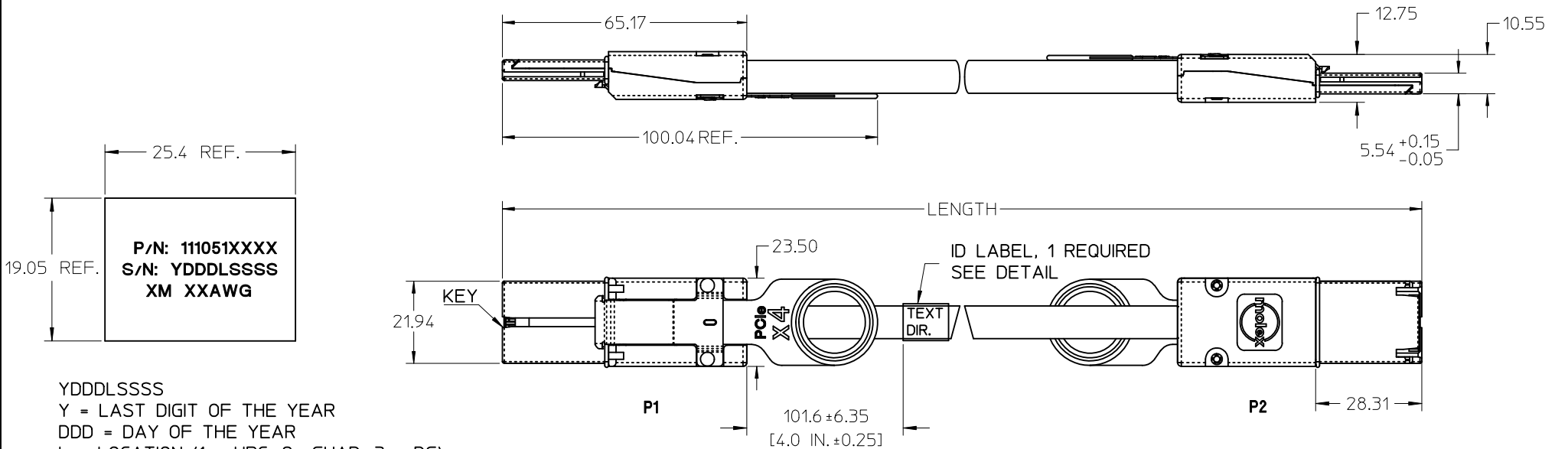
INITIAL RELEASE EC NO: USY2011-0390 DRAWN: BBYCZKIEWICZ 2010/10/26 CHKD: APPR: RMAHMOOD 2010/11/30	QUALITY SYMBOLS	GENERAL TOLERANCES (UNLESS SPECIFIED)	DIMENSION STYLE	SCALE	DESIGN UNITS	THIRD ANGLE PROJECTION
	▽=0 ▽=0	mm INCH 4 PLACES ± --- ± --- 3 PLACES ± --- ± --- 2 PLACES ± 0.13 ± --- 1 PLACE ± 0.25 ± --- ANGULAR ± 1/2°	MM ONLY	4:1	METRIC	DRAWN BY DATE BBYCZKIEWICZ 2010/10/26 CHECKED BY DATE
		DRAFT WHERE APPLICABLE MUST REMAIN WITHIN DIMENSIONS	APPROVED BY DATE	TITLE		
			RMAHMOOD 2010/11/30	QSFP TO QSFP PCIE GEN2 CABLE ASSEMBLY FOR VIRTENSYS MOLEX INCORPORATED MATERIAL NO. SEE TABLE DOCUMENT NO. RSD-11144-9001 SHEET NO. 2 OF 3		



QSFP

CABLE GAUGE	24	26	28
A CABLE DIAMETER	10.54	9.53	8.75
B MINIMUM OUTER RADIUS	42.00	38.00	35.00
C FACEPLATE TO OUTER RADIUS	64.00	60.00	57.00

INITIAL RELEASE EC NO: USY2011-0390 DRWN:BBYCZKIEMICZ2010/10/26 CHKD: APPR:RMAHMOOD 2010/11/30	DESCRIPTION 2010/11/30	QUALITY SYMBOLS	GENERAL TOLERANCES (UNLESS SPECIFIED)	DIMENSION STYLE MM ONLY	SCALE 1:1	DESIGN UNITS METRIC	THIRD ANGLE PROJECTION	
		▼=0 ▽=0	mm INCH 4 PLACES ± --- ± --- 3 PLACES ± --- ± --- 2 PLACES ± 0.13 ± --- 1 PLACE ± 0.25 ± --- ANGULAR ± 1/2°	DRAWN BY DATE BBYCZKIEMICZ 2010/10/26 CHECKED BY DATE	TITLE QSFP TO QSFP PCIE GEN2 CABLE ASSEMBLY FOR VIRTENSYS			
		DRAFT WHERE APPLICABLE MUST REMAIN WITHIN DIMENSIONS	APPROVED BY DATE RMAHMOOD 2010/11/30	MOLEX INCORPORATED		DOCUMENT NO. RSD-111144-9001	SHEET NO. 3 OF 3	
		1	MATERIAL NO. SEE TABLE	THIS DRAWING CONTAINS INFORMATION THAT IS PROPRIETARY TO MOLEX INCORPORATED AND SHOULD NOT BE USED WITHOUT WRITTEN PERMISSION				

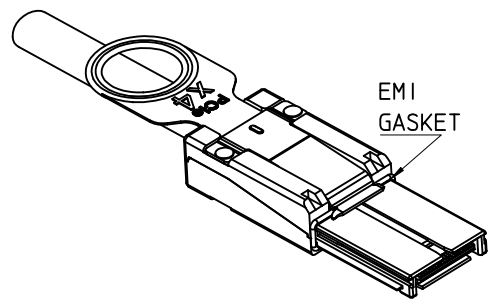


P/N: 111051XXXX  
S/N: YDDDLSSSS  
XM XXAWG

YDDDLSSSS  
Y = LAST DIGIT OF THE YEAR  
DDD = DAY OF THE YEAR  
L = LOCATION (1 = HPC, 2= GUAD, 3 = DG)  
SSSS = SERIAL NUMBER

ID LABEL DETAIL  
SCALE 2:1

MOLEX P/N	LENGTH	GAGE	TOLERANCE	JACKET RATING
1110510400	0.5M	28	0.03M	VW1
1110510401	1.0M	28	0.05M	VW1
1110510411	1.25M	28	0.05M	VW1
1110510402	2.0M	28	0.05M	VW1
1110510403	3.0M	28	0.05M	VW1
1110510404	4.0M	28	0.10M	VW1
1110510405	5.0M	26	0.10M	CL2
1110510406	6.0M	26	0.13M	CL2
1110510407	7.0M	24	0.13M	CL2



- NOTES:
- MATERIAL  
BACKSHELLS: ZINC DIECAST  
PULL: DUPONT ZYTEL ST801 NYLON 6/6  
LATCH: STAINLESS STEEL  
CABLE JACKET RATING: SEE TABLE
  - LENGTH AND TOLERANCE: SEE TABLE
  - ELECTRICAL PERFORMANCE PER PCI EXPRESS EXTERNAL CABLING SPEC. REV. 2.0 DRAFT 0.9
  - PLUG MATES TO RECEPTACLE 755860010 AND EMI GUIDE HOUSING ASSEMBLY 745400400.
  - LEAD FREE, NO ROHS EXEMPTIONS.

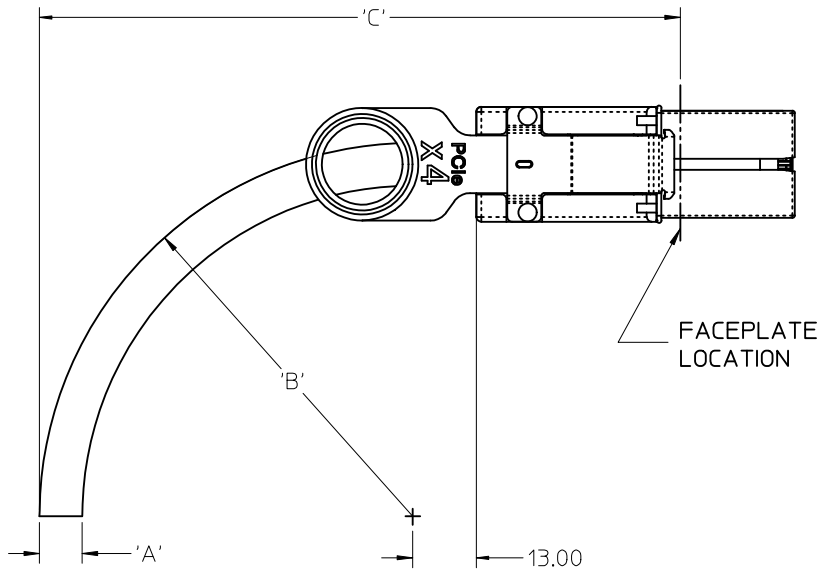
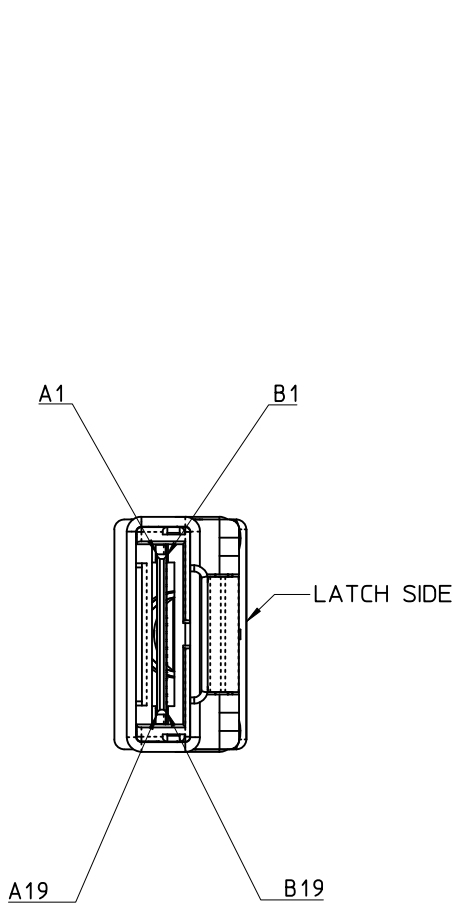
<b>ADDED ID LABEL</b> EC NO: CPG2012-0951 DR: MANKWEBER 2012/03/09 CHKD: KJANOTA APPR: KJANOTA 2012/03/21	QUALITY SYMBOLS ▽=0 ▽=0	GENERAL TOLERANCES (UNLESS SPECIFIED)		DIMENSION STYLE <b>MM ONLY</b>		SCALE 1:1	DESIGN UNITS METRIC	THIRD ANGLE PROJECTION	
		4 PLACES ± --- ± --- 3 PLACES ± --- ± --- 2 PLACES ± 0.13 ± --- 1 PLACE ± 0.25 ± ---	mm INCH ± --- ± --- ± 0.13 ± --- ± 0.25 ± ---	DRAWN BY JERWIN	DATE 2010/01/06	TITLE I-PASS PCIE X4 CABLE ASSEMBLY GEN 2			
		ANGULAR ± 1/2°		CHECKED BY BSCHOESTER	DATE 2010/01/06	MOLEX INCORPORATED			
		DRAFT WHERE APPLICABLE MUST REMAIN WITHIN DIMENSIONS		APPROVED BY KJANOTA	DATE 2011/05/03	MATERIAL NO. SEE TABLE	DOCUMENT NO. SD-111051-0400	SHEET NO. 1 OF 2	

IPASS™ IS A TRADEMARK OF MOLEX

THIS DRAWING CONTAINS INFORMATION THAT IS PROPRIETARY TO MOLEX INCORPORATED AND SHOULD NOT BE USED WITHOUT WRITTEN PERMISSION

10 9 8 7 6 5 4 3 2 1

P1				P2	
GND	A1	B1	GND		
PETp0	A2	B2	PERp0		
PETn0	A3	B3	PERn0		
GND	A4	B4	GND		
PETp1	A5	B5	PERp1		
PETn1	A6	B6	PERn1		
GND	A7	B7	GND		
PETp2	A8	B8	PERp2		
PETn2	A9	B9	PERn2		
GND	A10	B10	GND		
PETp3	A11	B11	PERp3		
PETn3	A12	B12	PERn3		
GND	A13	B13	GND		
CREFCLK+	A14	A14	CREFCLK+		
CREFCLK-	A15	A15	CREFCLK-		
GND	A16	A16	GND		
SB_RTN	A17	A17	SB_RTN		
CPRSNT#	A18	A18	CPRSNT#		
CPWRON	A19	A19	CPWRON		
GND	B1	A1	GND		
PERp0	B2	A2	PETp0		
PERn0	B3	A3	PETn0		
GND	B4	A4	GND		
PERp1	B5	A5	PETp1		
PERn1	B6	A6	PETn1		
GND	B7	A7	GND		
PERp2	B8	A8	PETp2		
PERn2	B9	A9	PETn2		
GND	B10	A10	GND		
PERp3	B11	A11	PETp3		
PERn3	B12	A12	PETn3		
GND	B13	A13	GND		
NC	B14	B14	NC		
NC	B15	B15	NC		
NC	B16	B16	NC		
NC	B17	B17	NC		
CWAKE#	B18	B18	CWAKE#		
CPERST#	B19	B19	CPERST#		



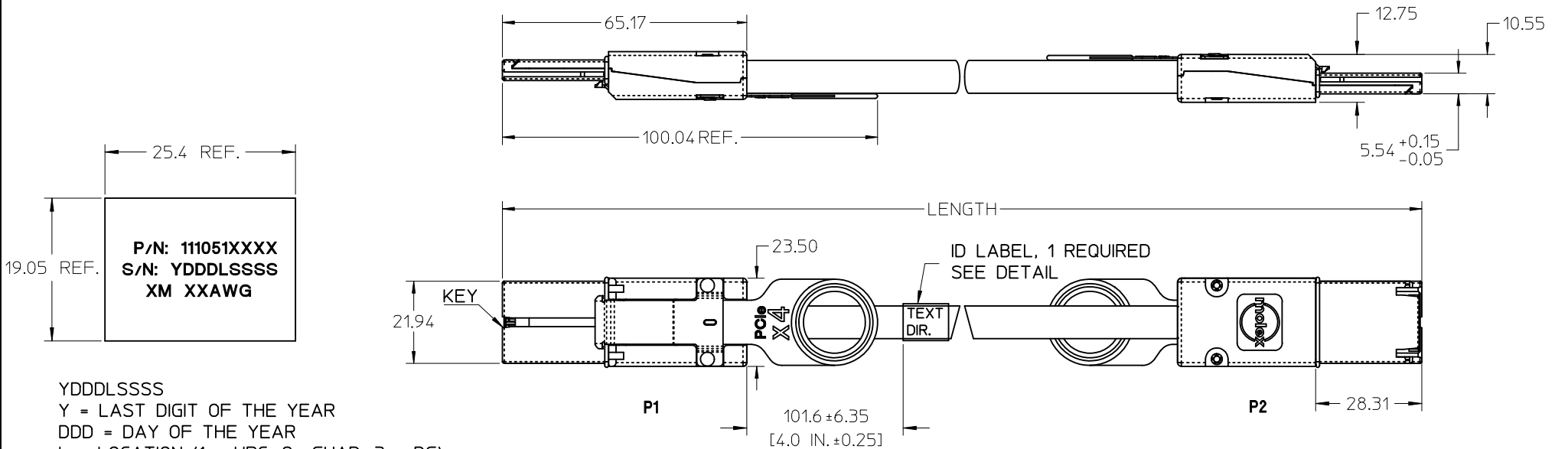
	CABLE GAUGE	24	26	28
A	CABLE DIAMETER (REF.)	10.40	9.30	8.40
B	MINIMUM OUTER RADIUS	46.90	41.70	37.70
C	MIN. FACEPLATE TO OUTER RADIUS	101.63	96.43	92.43

IPASS™ IS A TRADEMARK OF MOLEX

<b>ADDED ID LABEL</b> EC NO: CPG2012-0951 DRW: KMEBER 2012/03/09 CHKD: 2012/03/09 APPR: KJANOTA 2012/03/21	QUALITY SYMBOLS ▽=0 ▽=0	GENERAL TOLERANCES (UNLESS SPECIFIED)		DIMENSION STYLE MM ONLY		SCALE 1:1	DESIGN UNITS METRIC	THIRD ANGLE PROJECTION		
		4 PLACES ± --- ± ---		DRAWN BY JERWIN	DATE 2010/01/06	TITLE <b>I-PASS PCIE X4 CABLE ASSEMBLY GEN 2</b> <b>MOLEX INCORPORATED</b> DOCUMENT NO. SD-111051-0400 SHEET NO. 2 OF 2				
		3 PLACES ± --- ± ---		CHECKED BY BSCHOESTER	DATE 2010/01/06					
		2 PLACES ± 0.13 ± ---		APPROVED BY KJANOTA	DATE 2011/05/03					
		1 PLACE ± 0.25 ± ---		ANGULAR ± 1/2°		MATERIAL NO.		SEE TABLE		
DRAFT WHERE APPLICABLE MUST REMAIN WITHIN DIMENSIONS		SIZE B		THIS DRAWING CONTAINS INFORMATION THAT IS PROPRIETARY TO MOLEX INCORPORATED AND SHOULD NOT BE USED WITHOUT WRITTEN PERMISSION						

9 8 7 6 5 4 3 2 1



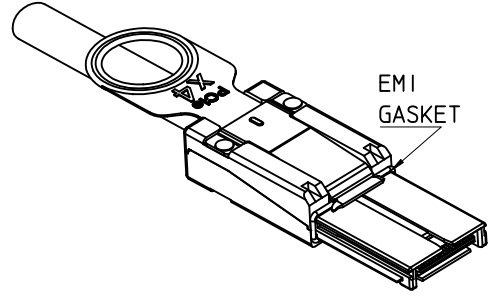


P/N: 111051XXXX  
S/N: YDDLSSSS  
XM XXAWG

YDDLSSSS  
Y = LAST DIGIT OF THE YEAR  
DDD = DAY OF THE YEAR  
L = LOCATION (1 = HPC, 2= GUAD, 3 = DG)  
SSSS = SERIAL NUMBER

ID LABEL DETAIL  
SCALE 2:1

MOLEX P/N	LENGTH	GAGE	TOLERANCE	JACKET RATING
1110510400	0.5M	28	0.03M	VW1
1110510401	1.0M	28	0.05M	VW1
1110510411	1.25M	28	0.05M	VW1
1110510402	2.0M	28	0.05M	VW1
1110510403	3.0M	28	0.05M	VW1
1110510404	4.0M	28	0.10M	VW1
1110510405	5.0M	26	0.10M	CL2
1110510406	6.0M	26	0.13M	CL2
1110510407	7.0M	24	0.13M	CL2



- NOTES:
- MATERIAL  
BACKSHELLS: ZINC DIECAST  
PULL: DUPONT ZYTEL ST801 NYLON 6/6  
LATCH: STAINLESS STEEL  
CABLE JACKET RATING: SEE TABLE
  - LENGTH AND TOLERANCE: SEE TABLE
  - ELECTRICAL PERFORMANCE PER PCI EXPRESS EXTERNAL CABLING SPEC. REV. 2.0 DRAFT 0.9
  - PLUG MATES TO RECEPTACLE 755860010 AND EMI GUIDE HOUSING ASSEMBLY 745400400.
  - LEAD FREE, NO ROHS EXEMPTIONS.

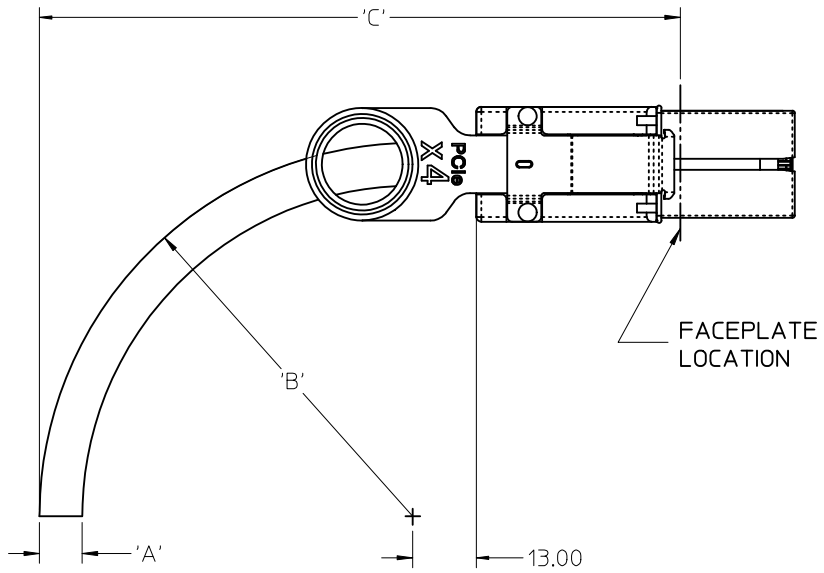
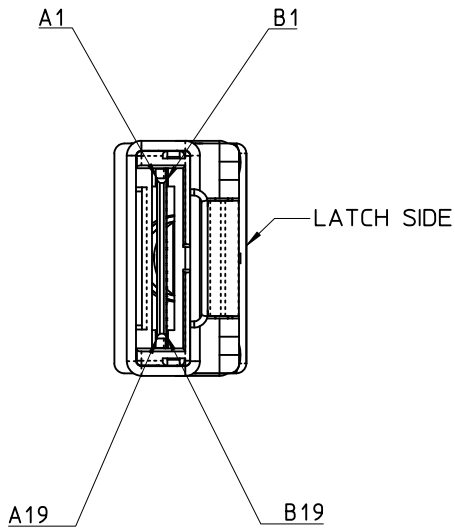
<b>ADDED ID LABEL</b> EC NO: CPG2012-0951 DR: MANKWEBER 2012/03/09 CHKD: KJANOTA APPR: KJANOTA 2012/03/21	QUALITY SYMBOLS ▽=0 ▽=0	GENERAL TOLERANCES (UNLESS SPECIFIED)		DIMENSION STYLE <b>MM ONLY</b>		SCALE 1:1	DESIGN UNITS METRIC	THIRD ANGLE PROJECTION	
		4 PLACES ± --- ± --- 3 PLACES ± --- ± --- 2 PLACES ± 0.13 ± --- 1 PLACE ± 0.25 ± ---	mm INCH ± --- ± --- ± 0.13 ± --- ± 0.25 ± ---	DRAWN BY JERWIN	DATE 2010/01/06	TITLE I-PASS PCIE X4 CABLE ASSEMBLY GEN 2			
		ANGULAR ± 1/2°		CHECKED BY BSCHOESTER	DATE 2010/01/06	Molex MOLEX INCORPORATED			
		DRAFT WHERE APPLICABLE MUST REMAIN WITHIN DIMENSIONS		APPROVED BY KJANOTA	DATE 2011/05/03	MATERIAL NO. SEE TABLE	DOCUMENT NO. SD-111051-0400	SHEET NO. 1 OF 2	

IPASS™ IS A TRADEMARK OF MOLEX

THIS DRAWING CONTAINS INFORMATION THAT IS PROPRIETARY TO MOLEX INCORPORATED AND SHOULD NOT BE USED WITHOUT WRITTEN PERMISSION

10 9 8 7 6 5 4 3 2 1

P1			P2	
GND	A1	▶	B1	GND
PETp0	A2	▶	B2	PERp0
PETn0	A3	▶	B3	PERn0
GND	A4	▶	B4	GND
PETp1	A5	▶	B5	PERp1
PETn1	A6	▶	B6	PERn1
GND	A7	▶	B7	GND
PETp2	A8	▶	B8	PERp2
PETn2	A9	▶	B9	PERn2
GND	A10	▶	B10	GND
PETp3	A11	▶	B11	PERp3
PETn3	A12	▶	B12	PERn3
GND	A13	▶	B13	GND
CREFCLK+	A14	▶	A14	CREFCLK+
CREFCLK-	A15	▶	A15	CREFCLK-
GND	A16	▶	A16	GND
SB_RTN	A17	▶	A17	SB_RTN
CPRSNT#	A18	▶	A18	CPRSNT#
CPWRON	A19	▶	A19	CPWRON
GND	B1	◀	A1	GND
PERp0	B2	◀	A2	PETp0
PERn0	B3	◀	A3	PETn0
GND	B4	◀	A4	GND
PERp1	B5	◀	A5	PETp1
PERn1	B6	◀	A6	PETn1
GND	B7	◀	A7	GND
PERp2	B8	◀	A8	PETp2
PERn2	B9	◀	A9	PETn2
GND	B10	◀	A10	GND
PERp3	B11	◀	A11	PETp3
PERn3	B12	◀	A12	PETn3
GND	B13	◀	A13	GND
NC	B14	◀	B14	NC
NC	B15	◀	B15	NC
NC	B16	◀	B16	NC
NC	B17	◀	B17	NC
CWAKE#	B18	◀	B18	CWAKE#
CPERST#	B19	◀	B19	CPERST#



	CABLE GAUGE	24	26	28
A	CABLE DIAMETER (REF.)	10.40	9.30	8.40
B	MINIMUM OUTER RADIUS	46.90	41.70	37.70
C	MIN. FACEPLATE TO OUTER RADIUS	101.63	96.43	92.43

IPASS™ IS A TRADEMARK OF MOLEX

<b>ADDED ID LABEL</b> EC NO: CPG2012-0951 DRW: KWEBER 2012/03/09 CHKD: KJANOTA 2012/03/21 APPR: KJANOTA 2012/03/21 B	QUALITY SYMBOLS ▽=0 ▽=0	GENERAL TOLERANCES (UNLESS SPECIFIED)		DIMENSION STYLE <b>MM ONLY</b>		SCALE 1:1	DESIGN UNITS METRIC	THIRD ANGLE PROJECTION			
		mm		INCH		DRAWN BY JERWIN	DATE 2010/01/06	TITLE <b>I-PASS PCIE X4 CABLE ASSEMBLY GEN 2</b>			
		4 PLACES ± ---		± ---		CHECKED BY BSCHOESTER	DATE 2010/01/06				
		3 PLACES ± ---		± ---		APPROVED BY KJANOTA		DATE 2011/05/03	MOLEX INCORPORATED DOCUMENT NO. SD-111051-0400 SHEET NO. 2 OF 2		
		2 PLACES ± 0.13		± ---		MATERIAL NO.		SEE TABLE			
1 PLACE ± 0.25		± ---		ANGULAR ± 1/2°		THIS DRAWING CONTAINS INFORMATION THAT IS PROPRIETARY TO MOLEX INCORPORATED AND SHOULD NOT BE USED WITHOUT WRITTEN PERMISSION					

9 8 7 6 5 4 3 2 1