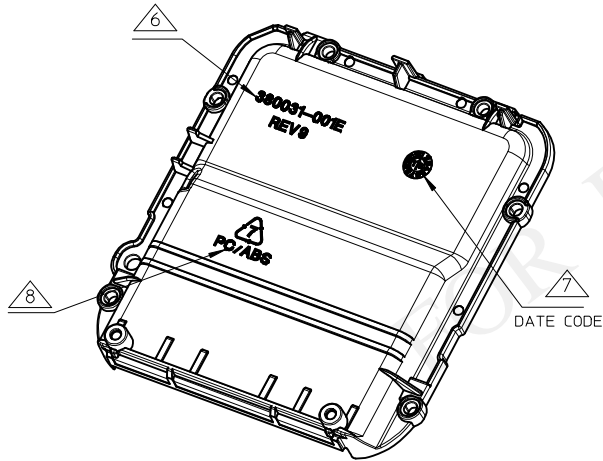
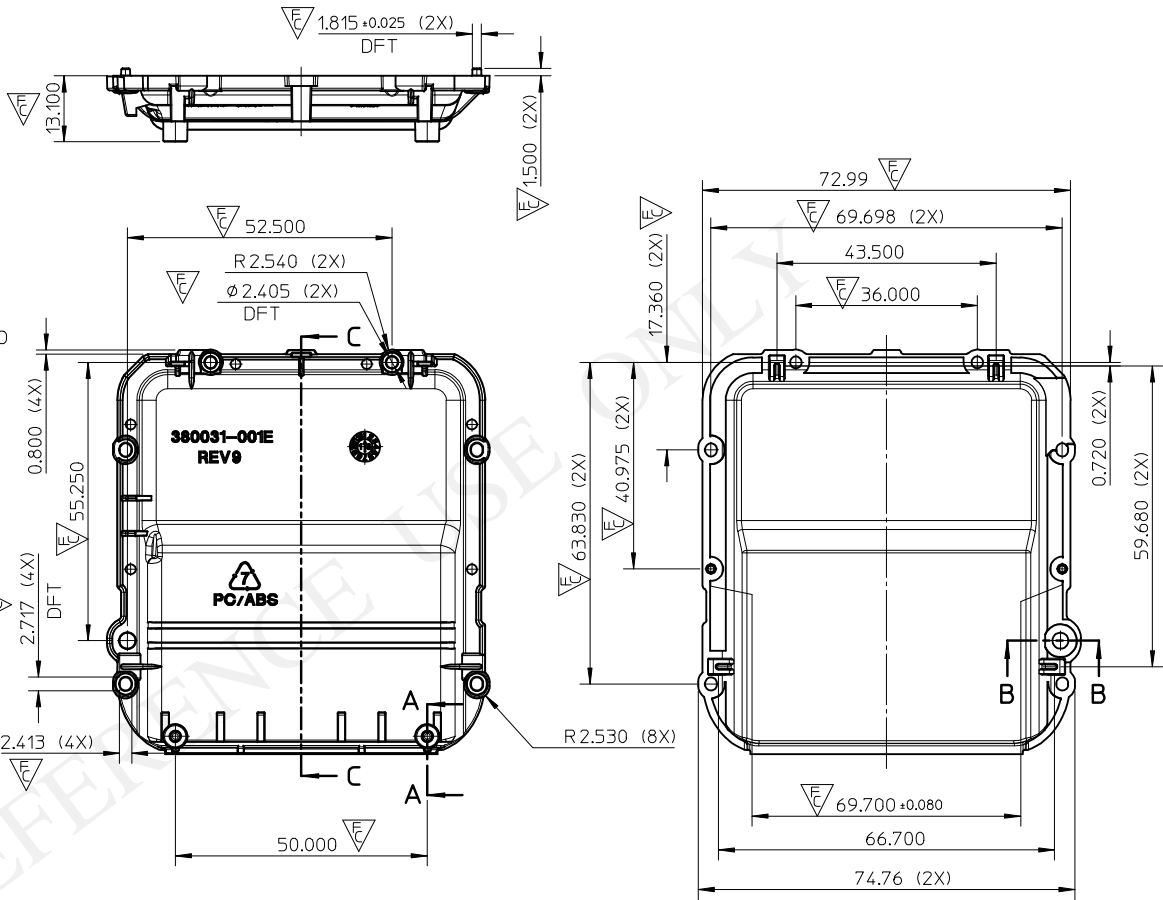
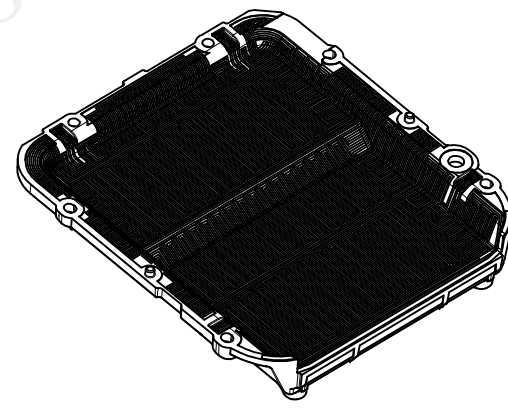
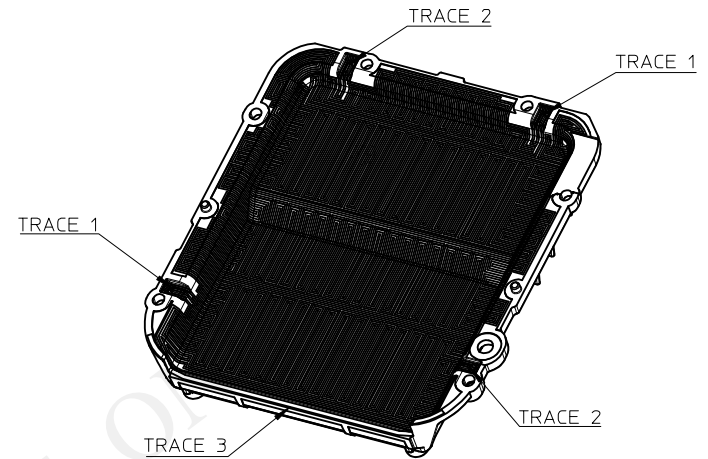
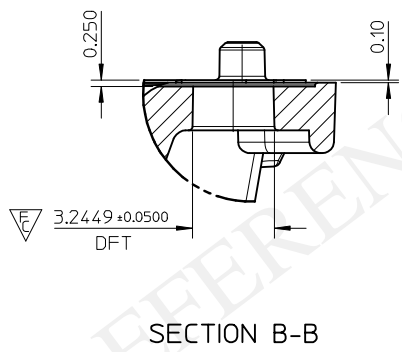
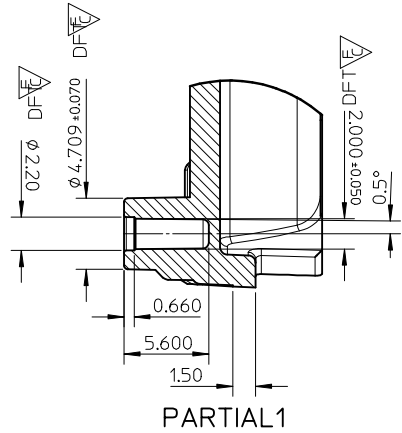
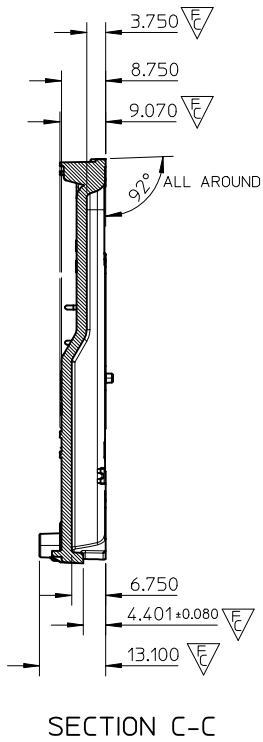


NOTE :

1. MATERIAL :  
HOUSING : PPA, COLOR : BLACK
2. FINISH: SPI B3
3. PARTS ARE TO BE CLEAN AND FREE OF INCOMPLETE FILLS AND VOIDS, PARTS ARE TO BE FREE OF EXCESS FLASH
4. PARTING LINE MISMATCH NOT TO EXCEED 0.05MM, ALL EJECTOR PINS TO BE FLUSH TO 0.125MM RECESSED
5. TRIM GATE VESTAGE FUSH TO 0.25MM RECESSED
6. PART NUMBER "003-1191-101" IS TO BE ENGRAVED IN MOLDING USING 2.2MM TALL CHARACTERS RAISED 0.15-0.25MM, REVISION NUMBER IS TO BE ENGRAVED ON A CHANGEABLE PIN NEXT TO THE PART NUMBER
7. FOR PRODUCTION TOOLING: DATE CODE (YEAR/MONTH) TO BE INSTALLED, APPROXIMATE PLACEMENT SHOWN
8. FOR PRODUCTION TOOLING: RECYCLING LOGO WITH MATERIAL TYPE TO BE INSTALLED, APPROXIMATE PLACEMENT SHOWN
9. GENERAL RADIUS: 0.25MM TYP
10. COMPLIANT TO RoHS DIRECTIVE 2002/95/EC AND ELV DIRECTIVE 2000/53/EC.



REVISE EC NO: ABU2014-0033 DRWN: XJSONG 2013/10/08 CHKD: APPR: XJSONG 2013/11/18	QUALITY SYMBOLS	GENERAL TOLERANCES (UNLESS SPECIFIED)	DIMENSION STYLE	SCALE	DESIGN UNITS	THIRD ANGLE PROJECTION	
	$F_A=0$ $F_G=16$ $F_P=0$	mm    INCH 4 PLACES ± --- ± --- 3 PLACES ± 0.14 ± --- 2 PLACES ± 0.24 ± --- 1 PLACE ± 0.5 ± --- 0 PLACE ± --- ± ---	MM ONLY	1:1	METRIC		
		ANGULAR ±0.5°	DRAWN BY	DATE	TITLE		
		DRAFT WHERE APPLICABLE MUST REMAIN WITHIN DIMENSIONS	XJSONG	2013/04/12	CONNECTOR FOR SECURITY COVER SMART CARD		
			CHECKED BY	DATE			
			XJSONG	2013/04/12			
			APPROVED BY	DATE			
			XJSONG	2013/04/12			
			MATERIAL NO.	DOCUMENT NO.			
			105294-1000	SD-105294-100			
			SIZE			SHEET NO.	
			A3			1 OF 2	
			THIS DRAWING CONTAINS INFORMATION THAT IS PROPRIETARY TO MOLEX INCORPORATED AND SHOULD NOT BE USED WITHOUT WRITTEN PERMISSION				



- NOTE:
1. TRACE WIDTH : 0.40MM
  2. GAP BETWEEN TRACES: 0.40MM
  3. TRACE LAYOUT FOLLOW 3D MODEL
  4. PLATING SPEC: Cu 10~20um / Ni 3~8um / Au 0.05~0.1um
  5. RESISTANCE FROM END TO END : 9~20 OHMS
  6. COMPLIANT TO RoHS DIRECTIVE 2002/95/EC AND ELV DIRECTIVE 2000/53/EC.

SEE SHEET1 EC NO: ABU2014-0033 DRWN: XJSONG 2013/10/08 CHKD: APPR: XJSONG 2013/11/18 REV	DESCRIPTION QUALITY SYMBOLS $F_A=0$ $F_G=8$ $F_P=0$	GENERAL TOLERANCES (UNLESS SPECIFIED)		DIMENSION STYLE MM ONLY		SCALE 1:1	DESIGN UNITS METRIC	THIRD ANGLE PROJECTION	
			mm	INCH	DRAWN BY XJSONG	DATE 2013/04/12	TITLE CONNECTOR FOR SECURITY COVER SMART CARD		
		4 PLACES	± ---	± ---	CHECKED BY XJSONG	DATE 2013/04/12			
		3 PLACES	± 0.14	± ---	APPROVED BY XJSONG	DATE 2013/04/12			
2 PLACES	± 0.24	± ---	MATERIAL NO. SEE SHEET1		DOCUMENT NO. SD-105294-100	SHEET NO. 2 OF 2			
1 PLACE	± 0.5	± ---	THIS DRAWING CONTAINS INFORMATION THAT IS PROPRIETARY TO MOLEX INCORPORATED AND SHOULD NOT BE USED WITHOUT WRITTEN PERMISSION						
0 PLACE	± ---	± ---	DRAFT WHERE APPLICABLE MUST REMAIN WITHIN DIMENSIONS						