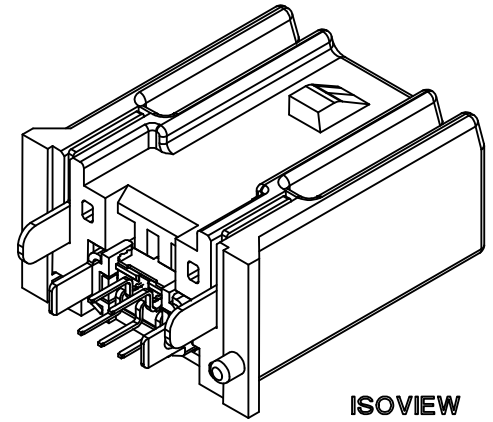


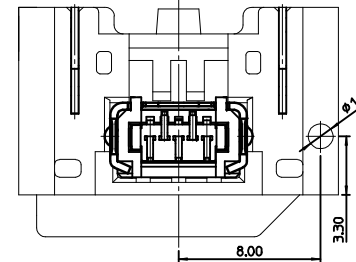
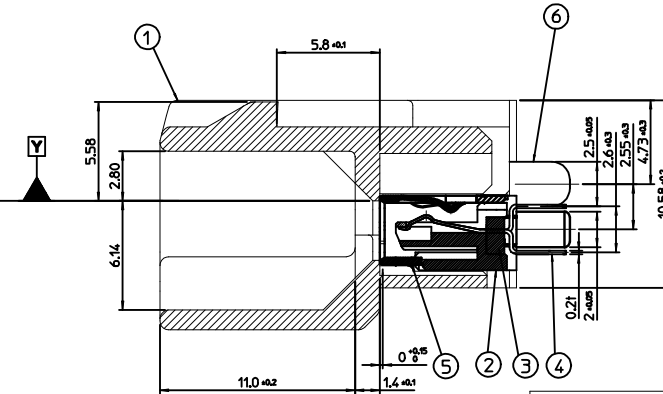
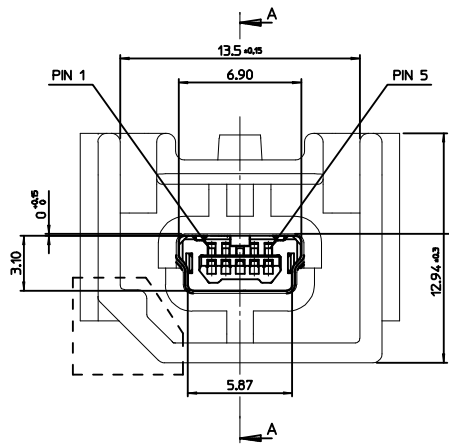
(CONNECTOR MOUNTING AND REVERSE SIDE)

RECOMMENDED PCB LAYOUT



NOTE

- MATES WITH :
(MOLEX SERIES NO. - 111014, 111015, 111005, 111041, 111019, 111020)
- SHROUD GEOMETRY AND ASSEMBLY WITH USB MINI-B CONNECTOR ARE ACCORDING TO USCAR STD 999-U-USB-Z01
- FINISHES
 - TERMINAL :
CONTACT AREA : Au 0.75µm MIN.
SOLDER TAIL AREA : TIN 1.0µm MIN.
UNDER PLATING : NI 1.0µm MIN.
 - SHIELD CASE :
3.0µm MIN. TIN OVER NI 1.0µm MIN.
 - FITTING NAIL :
3.0µm MIN. TIN OVER NI 1.0µm MIN.
- UNLESS OTHERWISE SPECIFIED, TYPICAL RECOMMENDED PCB MANUFACTURING TOLERANCE IS ±0.05
- PACKAGING IS TRAY :
-STD. TYPE :48 PCS/TRAY, 5 TRAY/TRAY BOX, 240 PCS/TRAY BOX, 960 PCS/CARTON BOX)
-ST TYPE.:32 PCS/TRAY, 3 TRAY/TRAY BOX, 96 PCS/TRAY BOX, 384 PCS/CARTON BOX)
- PRODUCT SPECIFICATION : PS-49616-001
- PACKAGING INFORMATION :
- (STD.TYPE)PK-104004-003
- (ST TYPE) PK-104004-004
- PCB THICKNESS : 2.36mm(REFERENCE)



<TABLE 1>

MATERIAL NO.	ORDER NO.	COLOR	PACKING
1040040901	104004-0901	BLACK	TRAY
1040040902	104004-0902	BLACK	ST TRAY

<PARTS LIST>

NO.	PART NAME	MATERIAL
1	SHROUD-A	LCP, GLASS FILLED, UL94 V-0
2	RECEPTACLE HOUSING	LCP, GLASS FILLED, UL94 V-0
3	CONTACT HOUSING	LCP, GLASS FILLED, UL94 V-0
4	CONTACT TERMINAL	COPPER ALLOY
5	SHIELD CASE	PHOSPHOR BRONZE
6	BOARD LOCKS PIN	BRASS

ADDED OPTION
EC NO: KTR2015-0002
DRAWN: IBAEK 2014/08/04
CHKD: JYCHOI
APPR: JYCHOI 2014/08/21

REV DESCRIPTION
A1

QUALITY SYMBOLS	GENERAL TOLERANCES (UNLESS SPECIFIED)	
	mm	INCH
▽=0	4 PLACES ±---	±---
▽=0	3 PLACES ±0	±---
	2 PLACES ±0.15	±---
	1 PLACE ±0.25	±---
	ANGULAR ± 1°	

DRAFT WHERE APPLICABLE MUST REMAIN WITHIN DIMENSIONS

DIMENSION STYLE		SCALE	DESIGN UNITS	THIRD ANGLE PROJECTION
MM ONLY		5:1	METRIC	THIRD ANGLE PROJECTION
DRAWN BY	DATE	TITLE		
S.M.KIM	2009/06/17	USCAR USB MINI B CONN VERTICAL A (LONG TERMINAL VERSION)		
CHECKED BY	DATE	MOLEX INCORPORATED		
B.C.YOON	2009/06/17	MATERIAL NO. SD-104004-006		
APPROVED BY	DATE	DOCUMENT NO.		
JYCHOI	2013/01/07	SHEET NO. 1 OF 1		

SEE TABLE 1

THIS DRAWING CONTAINS INFORMATION THAT IS PROPRIETARY TO MOLEX INCORPORATED AND SHOULD NOT BE USED WITHOUT WRITTEN PERMISSION